

(19) World Intellectual Property Organization
International Bureau



(43) International Publication Date
27 September 2007 (27.09.2007)

PCT

(10) International Publication Number
WO 2007/109753 A3

- (51) International Patent Classification:
B02C 18/00 (2006.01) *B02C 23/18* (2006.01)
- (21) International Application Number:
PCT/US2007/064601
- (22) International Filing Date: 22 March 2007 (22.03.2007)
- (25) Filing Language: English
- (26) Publication Language: English
- (30) Priority Data:
11/385,864 22 March 2006 (22.03.2006) US
11/444,491 1 June 2006 (01.06.2006) US

(81) Designated States (unless otherwise indicated, for every kind of national protection available): AE, AG, AL, AM, AT, AU, AZ, BA, BB, BG, BH, BR, BW, BY, BZ, CA, CH, CN, CO, CR, CU, CZ, DE, DK, DM, DZ, EC, EE, EG, ES, FI, GB, GD, GE, GH, GM, GT, HN, HR, HU, ID, IL, IN, IS, JP, KE, KG, KM, KN, KP, KR, KZ, LA, LC, LK, LR, LS, LT, LU, LY, MA, MD, MG, MK, MN, MW, MX, MY, MZ, NA, NG, NI, NO, NZ, OM, PG, PH, PL, PT, RO, RS, RU, SC, SD, SE, SG, SK, SL, SM, SV, SY, TJ, TM, TN, TR, TT, TZ, UA, UG, US, UZ, VC, VN, ZA, ZM, ZW.

(71) Applicant (for all designated States except US): **FELLOWES, INC.** [US/US]; 1789 Norwood Avenue, Itasca, Illinois 60143-1095 (US).

(84) Designated States (unless otherwise indicated, for every kind of regional protection available): ARIPO (BW, GH, GM, KE, LS, MW, MZ, NA, SD, SL, SZ, TZ, UG, ZM, ZW), Eurasian (AM, AZ, BY, KG, KZ, MD, RU, TJ, TM), European (AT, BE, BG, CH, CY, CZ, DE, DK, EE, ES, FI, FR, GB, GR, HU, IE, IS, IT, LT, LU, LV, MC, MT, NL, PL, PT, RO, SE, SI, SK, TR), OAPI (BF, BJ, CF, CG, CI, CM, GA, GN, GQ, GW, ML, MR, NE, SN, TD, TG).

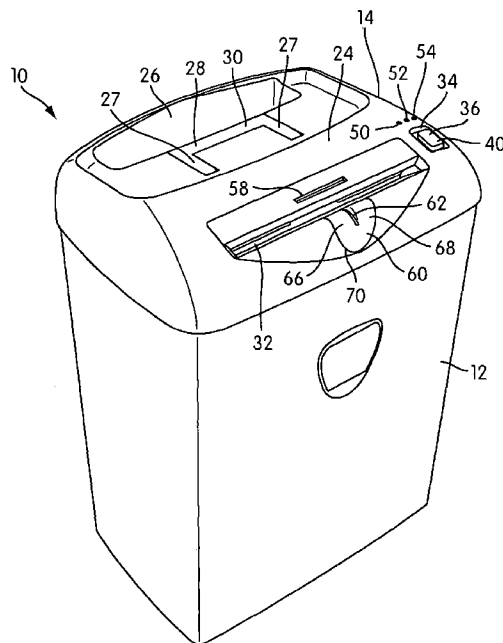
- (72) Inventors; and
- (75) Inventors/Applicants (for US only): **MATLIN, Tai-hoon K.** [US/US]; 2240 N. Aster Place, Round Lake Beach, Illinois 60073 (US). **GACH, Eric** [US/US]; 220 N. Elmhurst Ave., Mount Prospect, Illinois 60056 (US).

Published:
— with international search report
— before the expiration of the time limit for amending the claims and to be republished in the event of receipt of amendments

(74) Agent: **COLLINS, Bryan P.**; Pillsbury Winthrop Shaw Pittman LLP, P.O. Box 10500, Mclean, VA 22102 (US).

(88) Date of publication of the international search report:
27 March 2008

(54) Title: SHREDDER



(57) Abstract: One aspect of the present invention relates to a shredder with a lubricating system. Another aspect relates to a shredder with usage monitoring. Other aspects relate to document thickness sensing in a shredder, including but not limited to the ability to indicate progressive amounts of thickness, the ability to select a material to be shredded for varying the maximum thickness permitted, and the

WO 2007/109753 A3

INTERNATIONAL SEARCH REPORT

International application No
PCT/US2007/064601

A. CLASSIFICATION OF SUBJECT MATTER
INV. B02C18/00 B02C23/18

According to International Patent Classification (IPC) or to both national classification and IPC

B. FIELDS SEARCHED

Minimum documentation searched (classification system followed by classification symbols)
B02C

Documentation searched other than minimum documentation to the extent that such documents are included in the fields searched

Electronic data base consulted during the international search (name of data base and, where practical, search terms used)

EPO-Internal

C. DOCUMENTS CONSIDERED TO BE RELEVANT

Category*	Citation of document, with indication, where appropriate, of the relevant passages	Relevant to claim No.
X	US 4 757 949 A (HORTON NORMAN P [US]) 19 July 1988 (1988-07-19)	1, 2
Y	the whole document	2-6, 25
Y	US 5 494 229 A (ROKOS GEORGE A [US] ET AL) 27 February 1996 (1996-02-27) cited in the application the whole document	2-6, 25-30
Y	US 2006/016919 A1 (CASTRONOVO CHARLES A [US]) 26 January 2006 (2006-01-26) the whole document	26-30

Further documents are listed in the continuation of Box C.

See patent family annex.

* Special categories of cited documents :

"A" document defining the general state of the art which is not considered to be of particular relevance

"E" earlier document but published on or after the international filing date

"L" document which may throw doubts on priority claim(s) or which is cited to establish the publication date of another citation or other special reason (as specified)

"O" document referring to an oral disclosure, use, exhibition or other means

"P" document published prior to the international filing date but later than the priority date claimed

"T" later document published after the international filing date or priority date and not in conflict with the application but cited to understand the principle or theory underlying the invention

"X" document of particular relevance; the claimed invention cannot be considered novel or cannot be considered to involve an inventive step when the document is taken alone

"Y" document of particular relevance; the claimed invention cannot be considered to involve an inventive step when the document is combined with one or more other such documents, such combination being obvious to a person skilled in the art.

"&" document member of the same patent family

Date of the actual completion of the international search

28 August 2007

Date of mailing of the international search report

08/02/2008

Name and mailing address of the ISA/

European Patent Office, P.B. 5818 Patentlaan 2
NL - 2280 HV Rijswijk
Tel. (+31-70) 340-2040, Tx. 31 651 epo nl,
Fax: (+31-70) 340-3016

Authorized officer

Kopacz, Ireneusz

INTERNATIONAL SEARCH REPORT

International application No.
PCT/US2007/064601

Box No. II Observations where certain claims were found unsearchable (Continuation of item 2 of first sheet)

This International search report has not been established in respect of certain claims under Article 17(2)(a) for the following reasons:

1. Claims Nos.:
because they relate to subject matter not required to be searched by this Authority, namely:

2. Claims Nos.:
because they relate to parts of the international application that do not comply with the prescribed requirements to such an extent that no meaningful international search can be carried out, specifically:

3. Claims Nos.:
because they are dependent claims and are not drafted in accordance with the second and third sentences of Rule 6.4(a).

Box No. III Observations where unity of invention is lacking (Continuation of item 3 of first sheet)

This International Searching Authority found multiple inventions in this international application, as follows:

see additional sheet

1. As all required additional search fees were timely paid by the applicant, this international search report covers allsearchable claims.
2. As all searchable claims could be searched without effort justifying an additional fees, this Authority did not invite payment of additional fees.
3. As only some of the required additional search fees were timely paid by the applicant, this international search report covers only those claims for which fees were paid, specifically claims Nos.:
4. No required additional search fees were timely paid by the applicant. Consequently, this International search report is restricted to the invention first mentioned in the claims; it is covered by claims Nos.:

1-6, 25-30

Remark on Protest

- The additional search fees were accompanied by the applicant's protest and, where applicable, the payment of a protest fee.
- The additional search fees were accompanied by the applicant's protest but the applicable protest fee was not paid within the time limit specified in the invitation.
- No protest accompanied the payment of additional search fees.

FURTHER INFORMATION CONTINUED FROM PCT/ISA/ 210

This International Searching Authority found multiple (groups of) inventions in this international application, as follows:

1. claims: 1-6,25-30

Shredder with lubricating system actuated by a controller

2. claims: 1,7-10,12

Shredder with a stack thickness gauge

3. claims: 1,11,18-19,20-21

Shredder including an intermediate surface

4. claims: 13-16

Lubricating kit for shredder

5. claims: 17,20-21

Shredder including an inlet opening constructed to be removably engaged with the removable reservoir for receiving fluid

6. claims: 22-24

Shredder with a monitor operable to alert a user when the shredder is due for a maintenance operation

7. claims: 31-49

Shredder with a progressive indicator system

8. claims: 50-80

Shredder with an input for enabling a user to select a type of material to be shredded

INTERNATIONAL SEARCH REPORT

Information on patent family members

International application No

PCT/US2007/064601

Patent document cited in search report	Publication date	Patent family member(s)	Publication date
US 4757949	A	19-07-1988	NONE
US 5494229	A	27-02-1996	NONE
US 2006016919	A1	26-01-2006	NONE