



US0D1017043S

(12) **United States Design Patent**
Hung

(10) **Patent No.:** **US D1,017,043 S**

(45) **Date of Patent:** **** Mar. 5, 2024**

(54) **SET OF ORTHODONTIC APPLIANCES**

(71) Applicant: **Cheng-Hsiang Hung**, New Taipei (TW)

(72) Inventor: **Cheng-Hsiang Hung**, New Taipei (TW)

(**) Term: **15 Years**

(21) Appl. No.: **29/815,398**

(22) Filed: **Nov. 12, 2021**

(30) **Foreign Application Priority Data**

May 17, 2021 (TW) 110302541

May 19, 2021 (TW) 110302541D01

(51) **LOC (14) Cl.** **24-02**

(52) **U.S. Cl.**
USPC **D24/180**

(58) **Field of Classification Search**
USPC D24/176, 180-181; D8/370, 372, 382
CPC A61C 7/00; A61C 7/08; A61C 7/06; A61C
7/12; A61C 7/20; A61C 7/28
See application file for complete search history.

(56) **References Cited**

U.S. PATENT DOCUMENTS

4,818,226	A *	4/1989	Berendt	A61C 7/20 433/20
4,892,479	A *	1/1990	McKenna	A61C 7/20 433/20
D354,570	S *	1/1995	Hilgers	D24/180
5,624,258	A *	4/1997	Wool	A61C 7/20 433/20
5,683,245	A *	11/1997	Sachdeva	A61C 7/20 433/20
D716,454	S *	10/2014	Maristany Vilanova	D24/180
10,575,929	B2 *	3/2020	Fasci	A61C 7/20

(Continued)

Primary Examiner — Wan Laymon

(74) *Attorney, Agent, or Firm* — McClure, Qualey & Rodack, LLP

(57) **CLAIM**

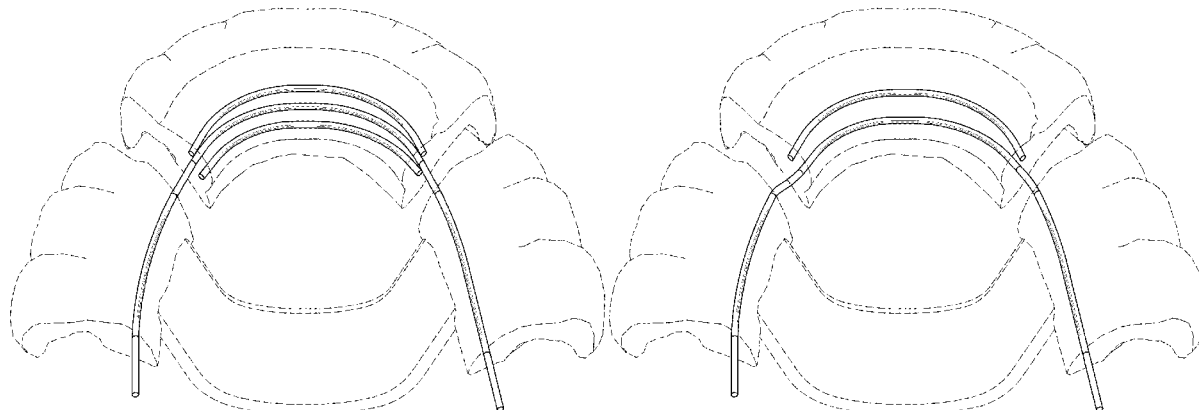
The ornamental design for a set of orthodontic appliances, as shown and described.

DESCRIPTION

FIG. 1 is a perspective view of a first embodiment of a set of orthodontic appliances showing my new design; FIG. 2 is a perspective view of a second embodiment of a set of orthodontic appliances showing my new design; FIG. 3 is a front view of the set of orthodontic appliances in FIG. 1; FIG. 4 is a rear view of the set of orthodontic appliances in FIG. 1; FIG. 5 is a left side view of the set of orthodontic appliances in FIG. 1; FIG. 6 is a right side view of the set of orthodontic appliances in FIG. 1; FIG. 7 is a top plan view of the set of orthodontic appliances in FIG. 1; FIG. 8 is a bottom plan view of the set of orthodontic appliances in FIG. 1; FIG. 9 is a front view of the set of orthodontic appliances in FIG. 2; FIG. 10 is a rear view of the set of orthodontic appliances in FIG. 2; FIG. 11 is a left side view of the set of orthodontic appliances in FIG. 2; FIG. 12 is a right side view of the set of orthodontic appliances in FIG. 2; FIG. 13 is a top plan view of the set of orthodontic appliances in FIG. 2; and, FIG. 14 is a bottom plan view of the set of orthodontic appliances in FIG. 2.

The broken lines in the drawings depict portions of the set of orthodontic appliances that form no part of the claimed design.

1 Claim, 14 Drawing Sheets



(56)

References Cited

U.S. PATENT DOCUMENTS

2004/0083611	A1*	5/2004	Rubbert	A61C 7/20 29/896.11
2014/0272754	A1*	9/2014	Curley	A61C 7/20 433/11
2016/0278883	A1*	9/2016	Fasci	A61C 7/20

* cited by examiner

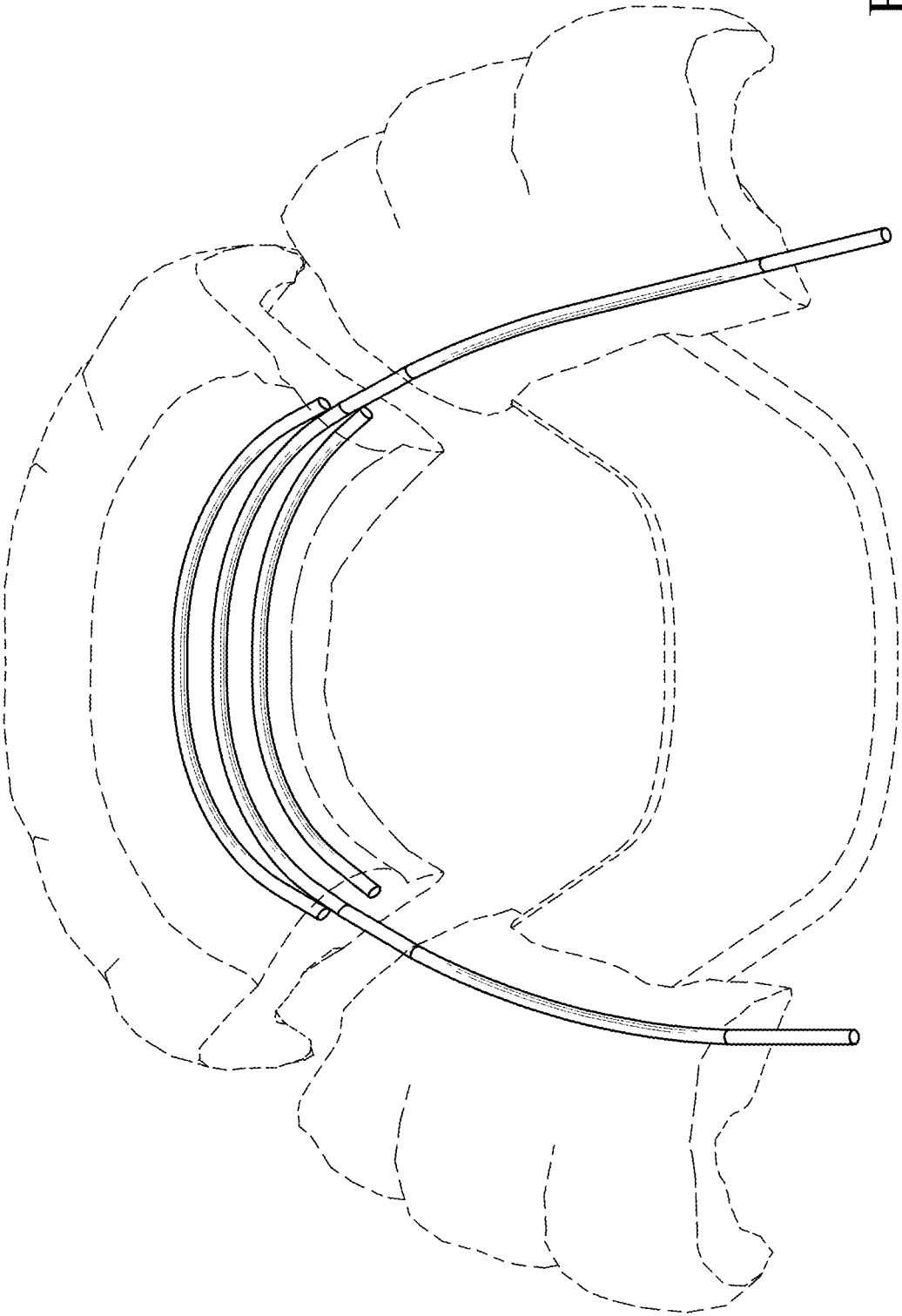


FIG. 1

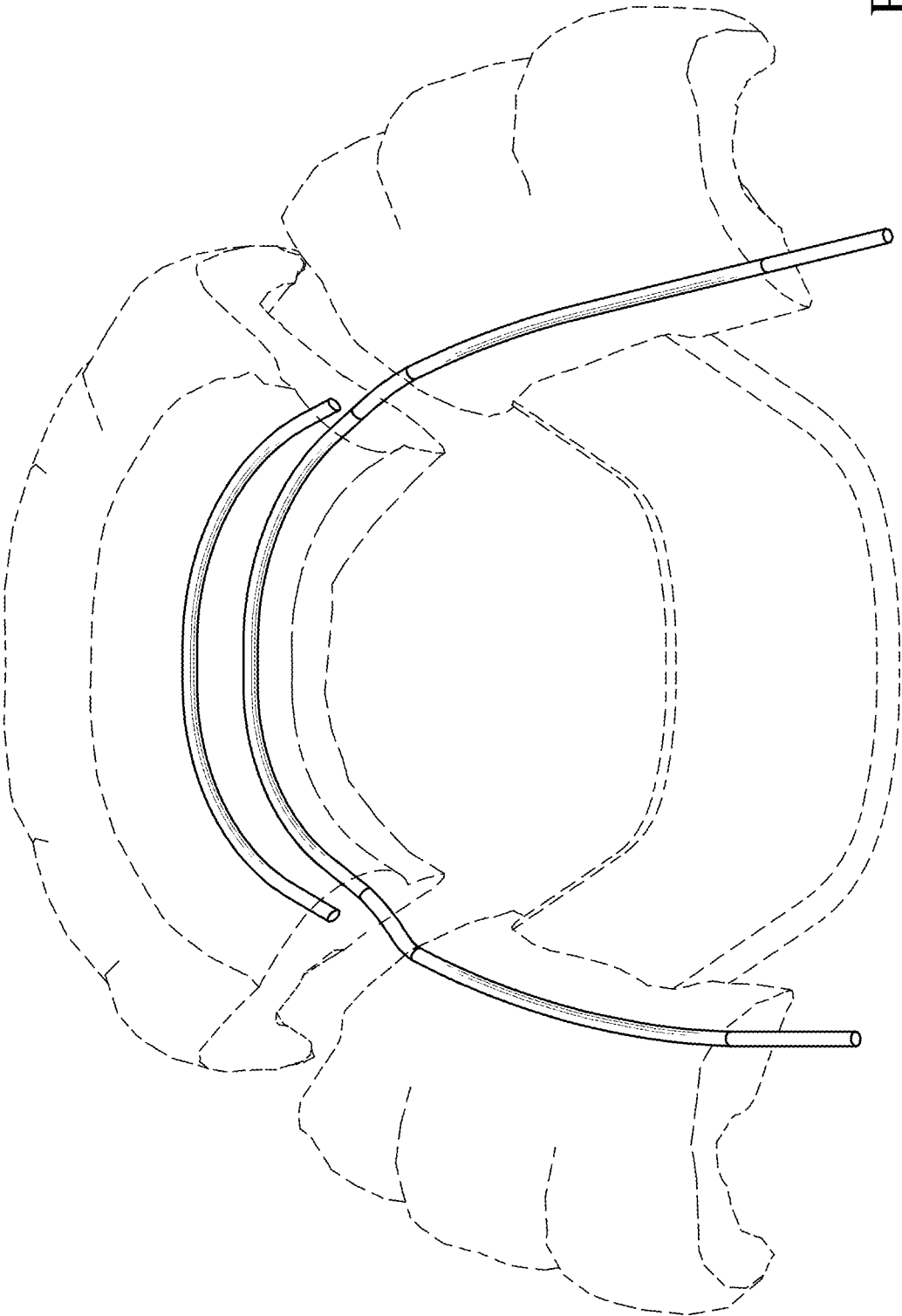


FIG. 2

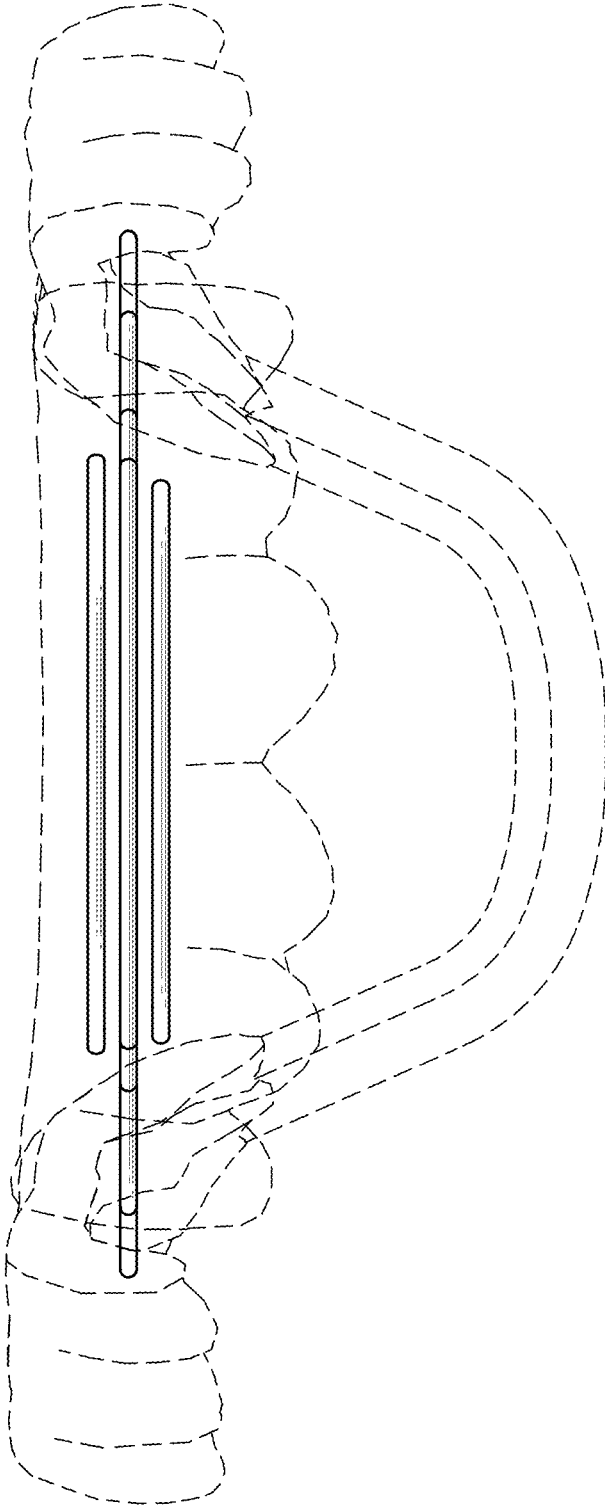


FIG. 3

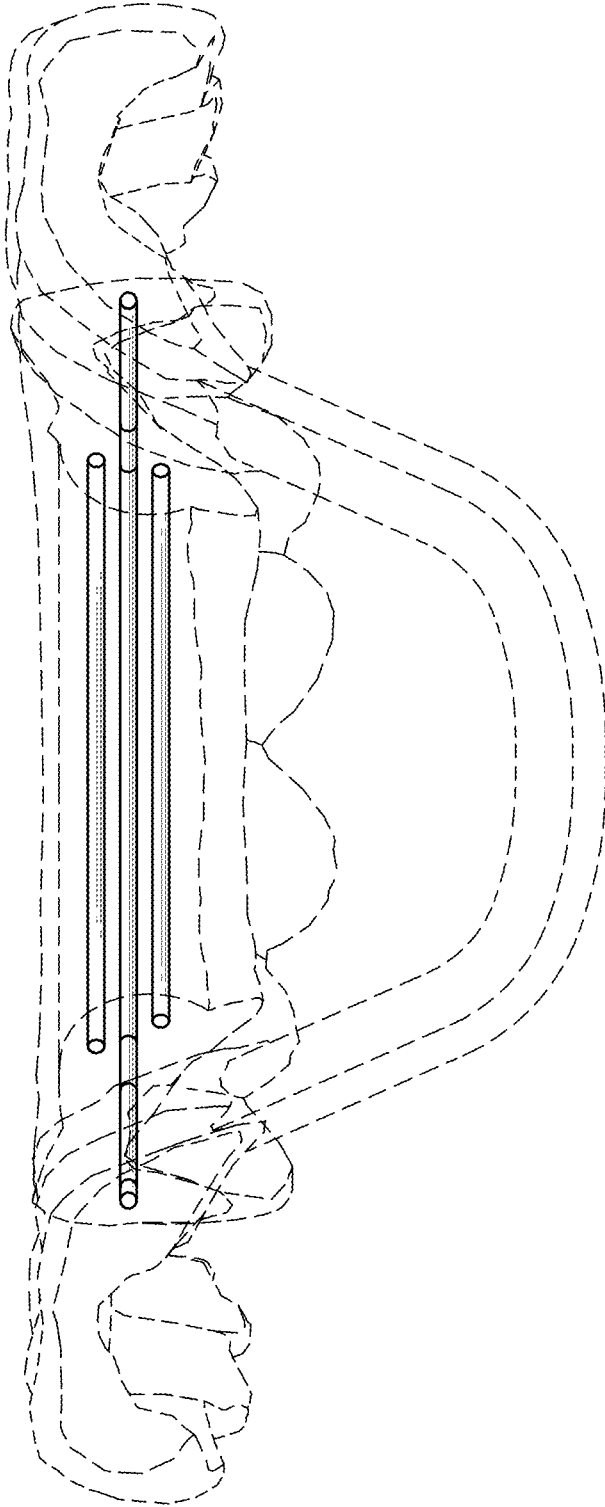


FIG. 4

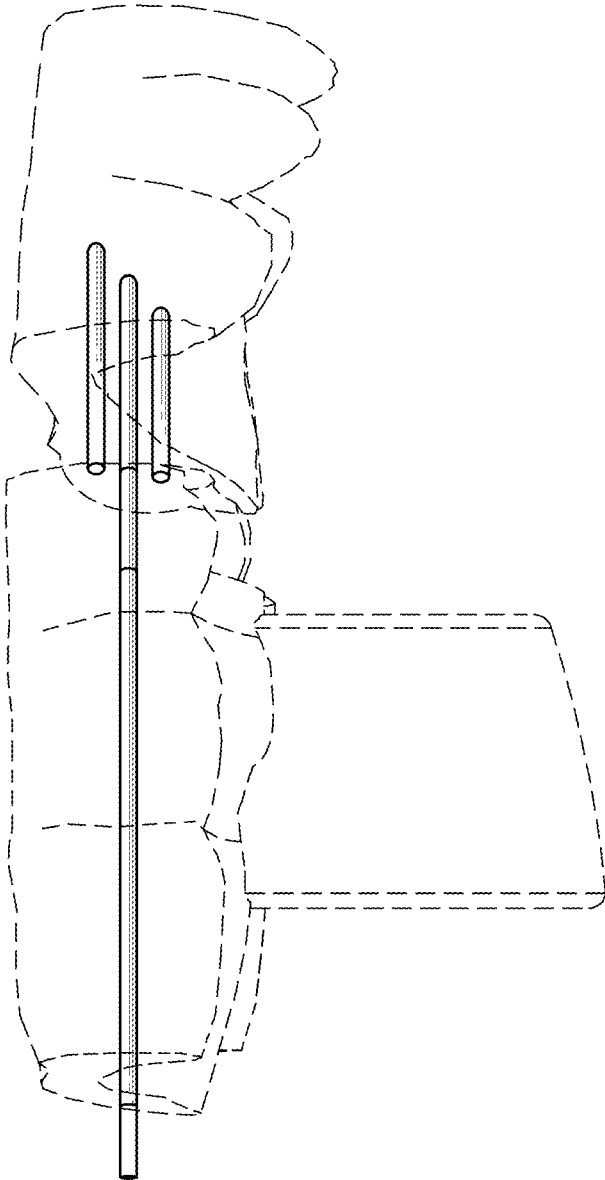


FIG. 5

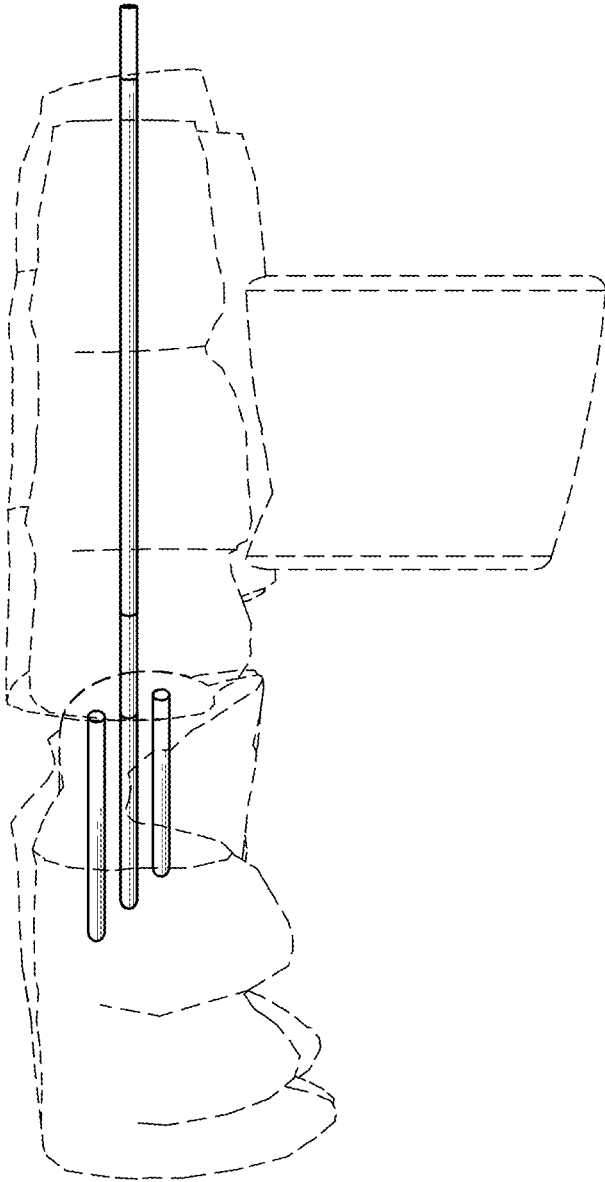


FIG. 6

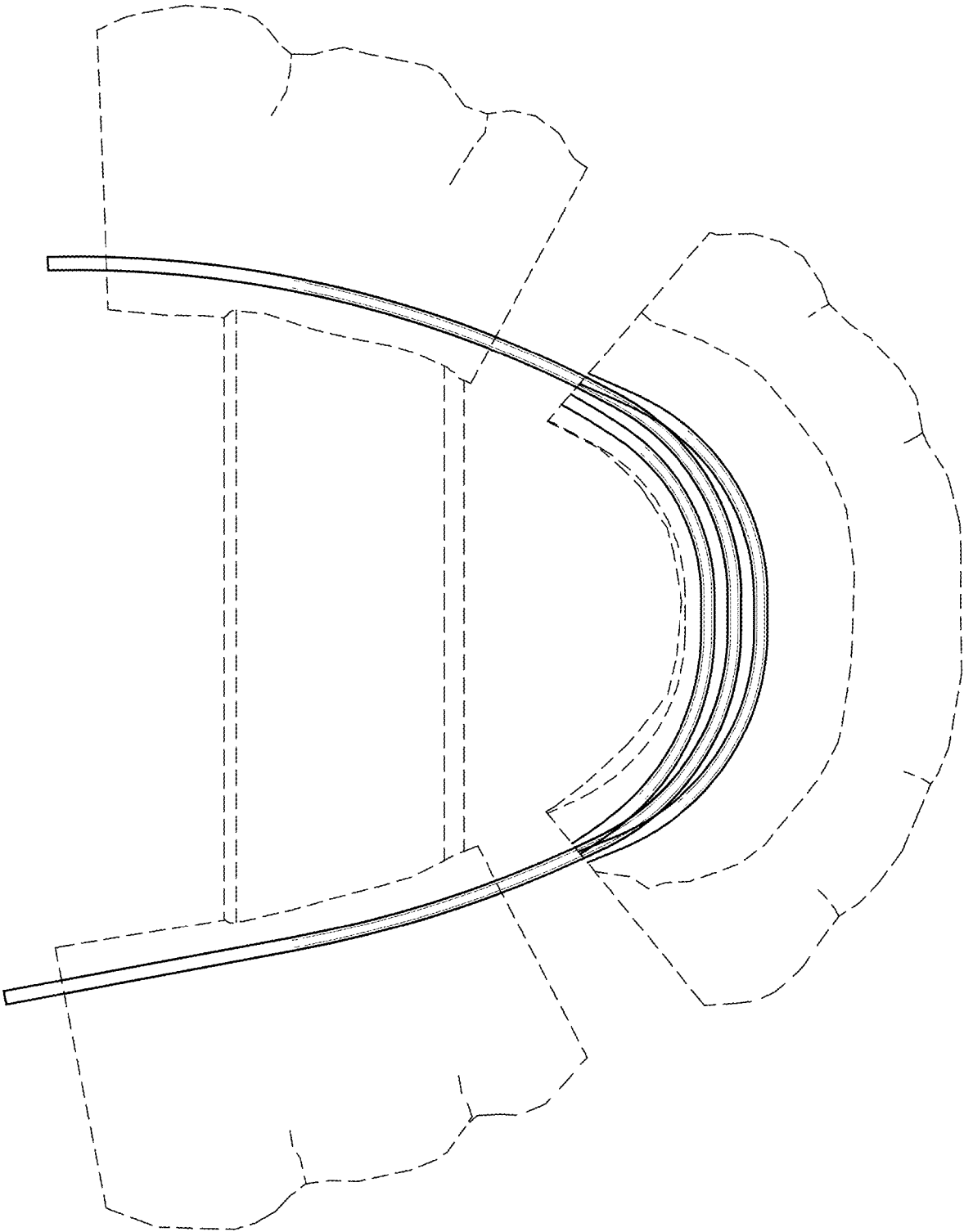


FIG. 7

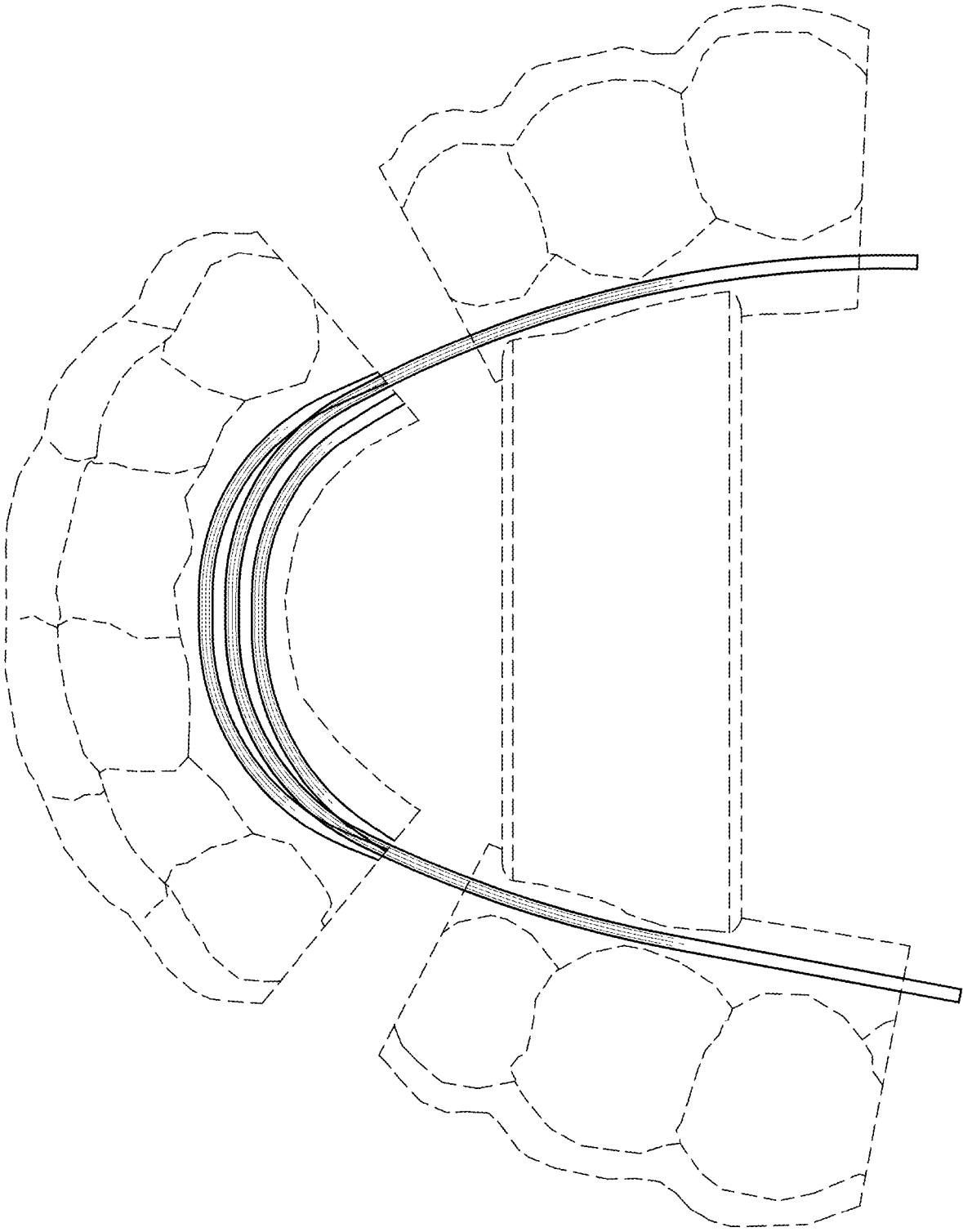


FIG. 8

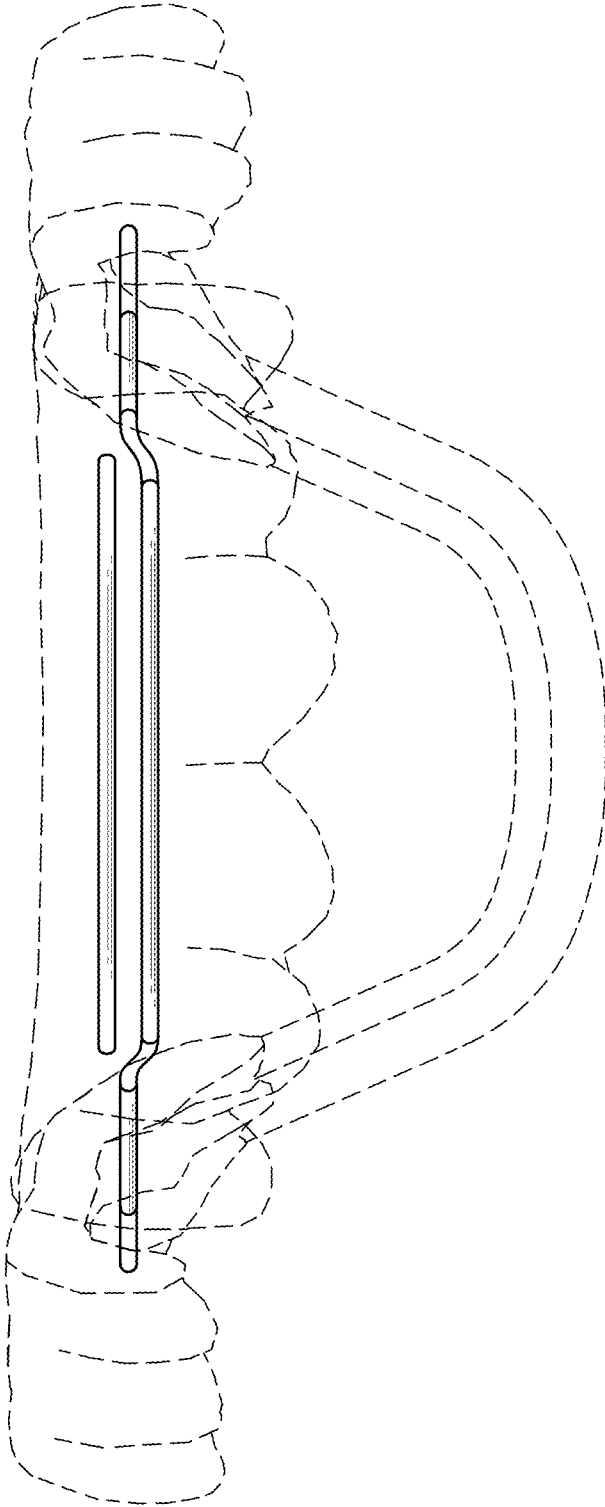


FIG. 9

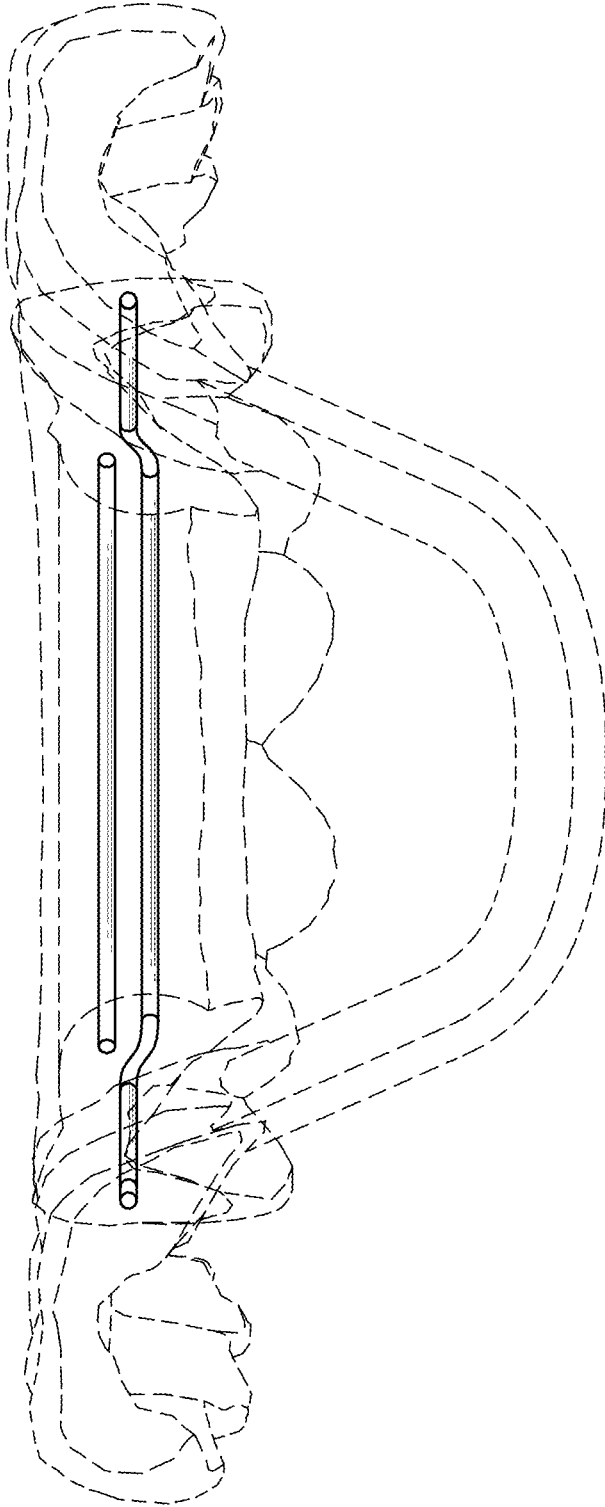


FIG. 10

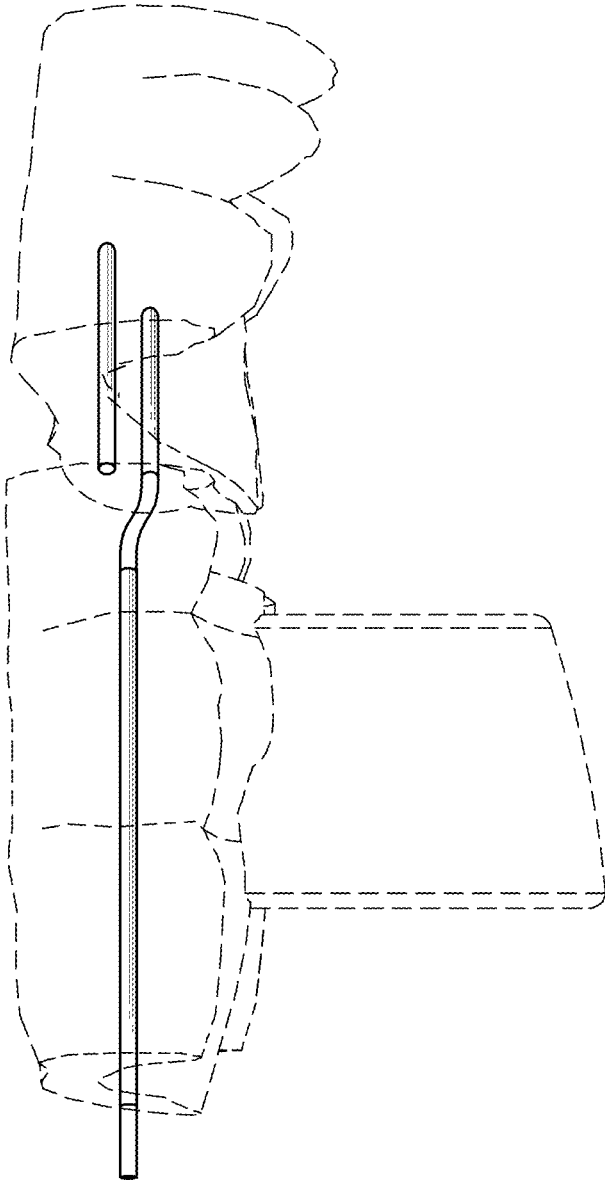


FIG. 11

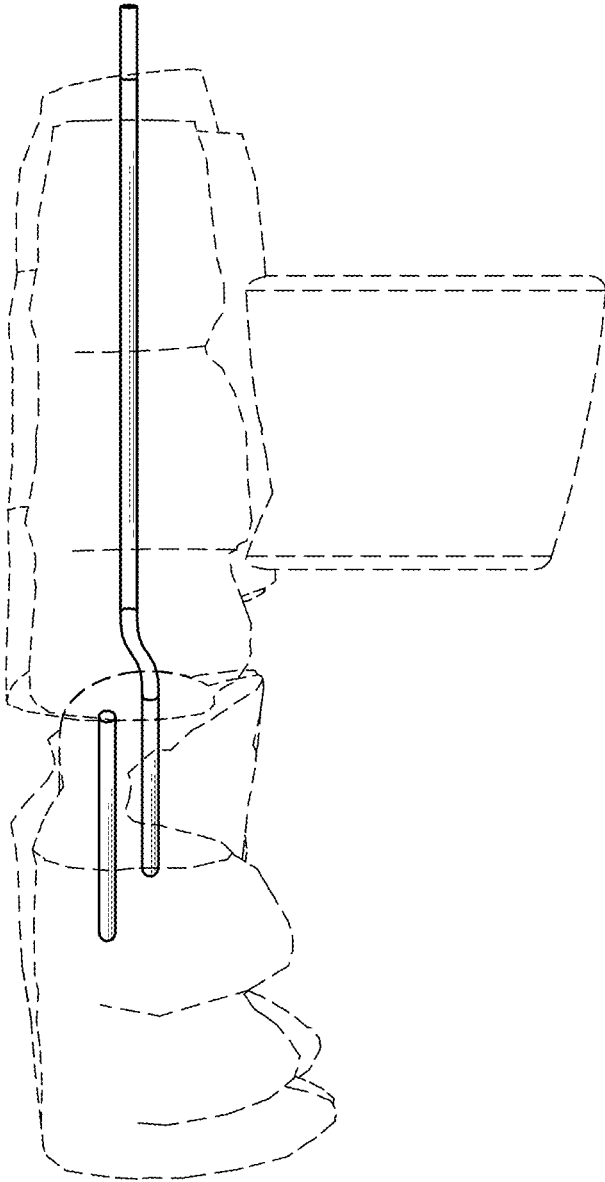


FIG. 12

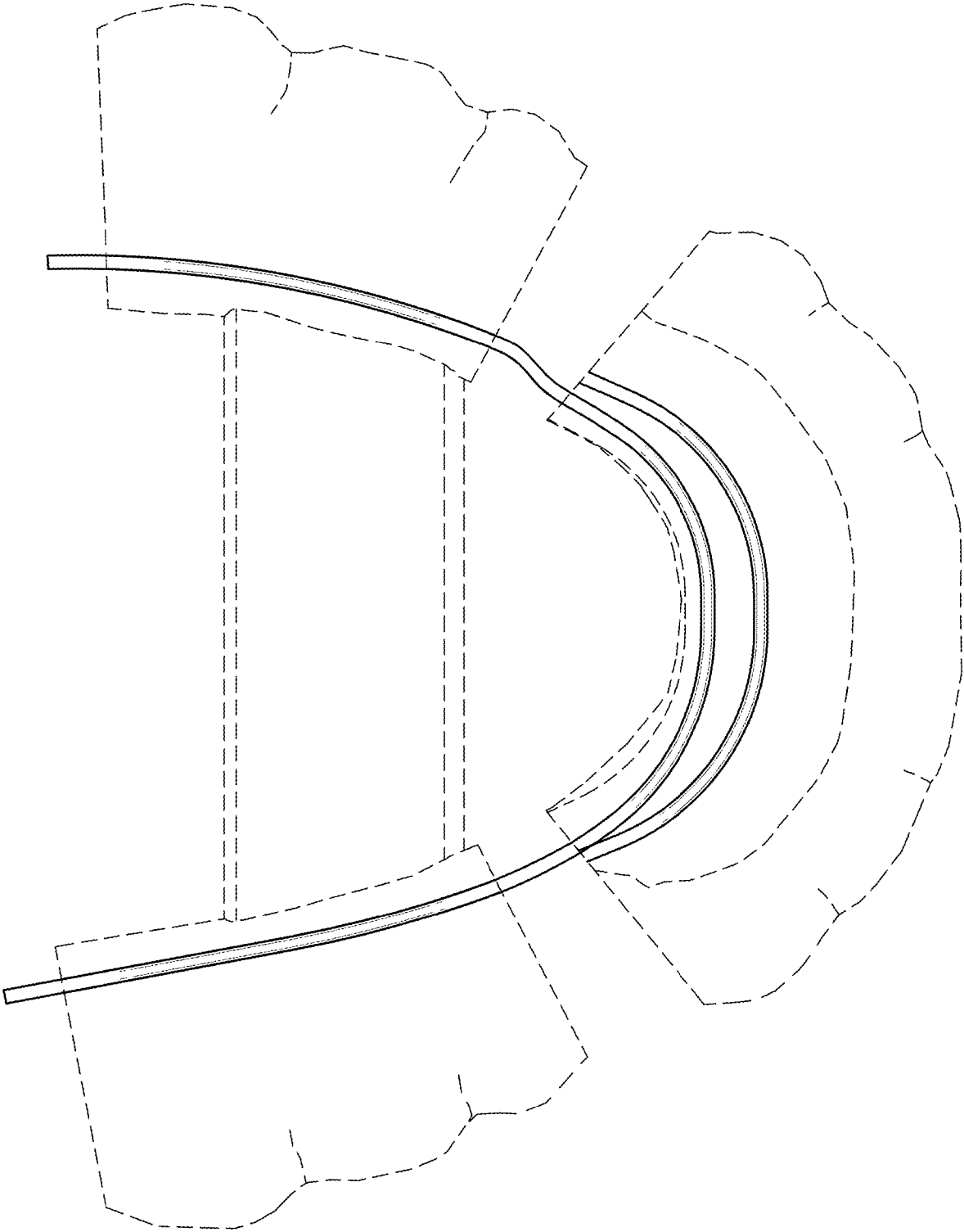


FIG. 13

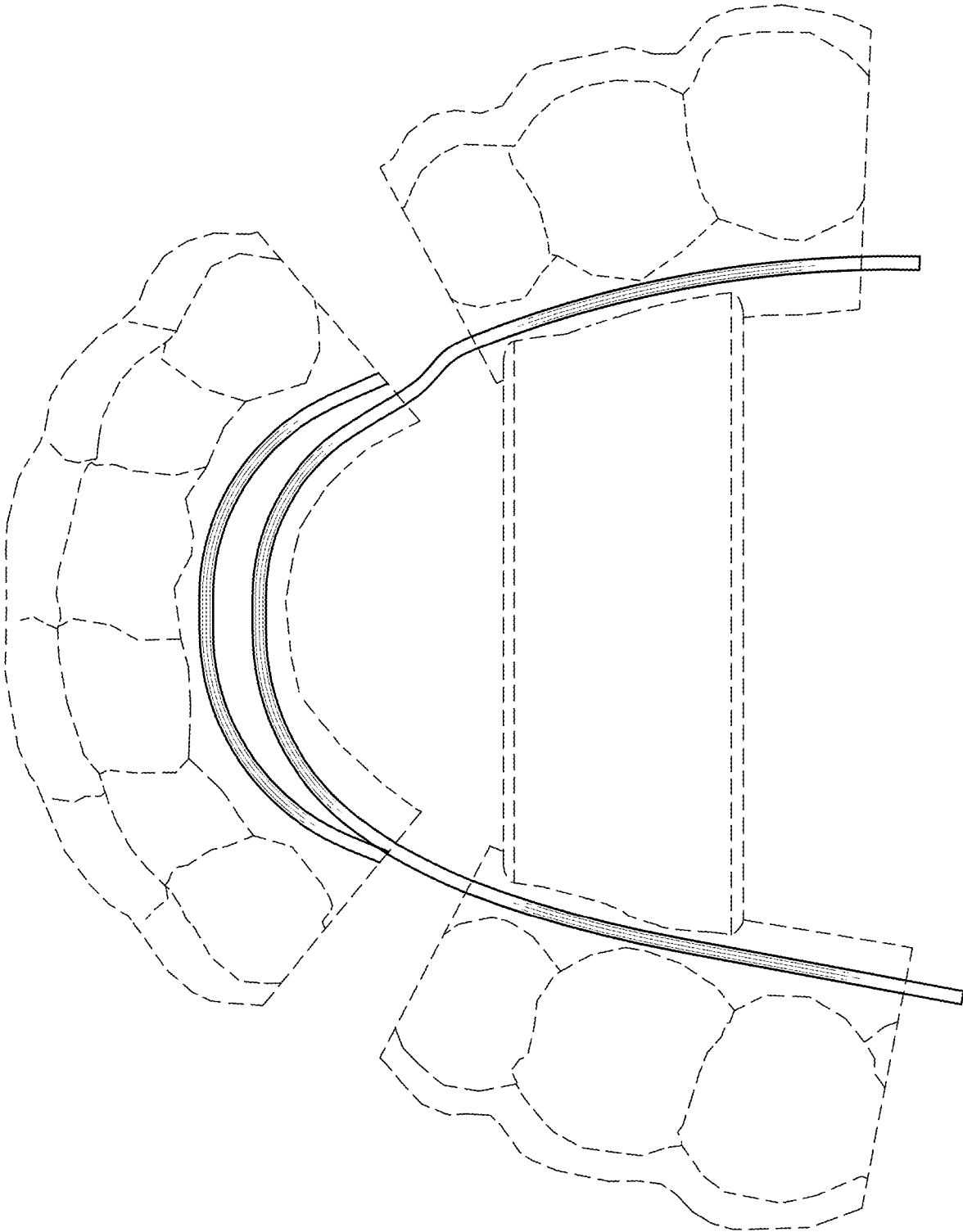


FIG. 14