



(12) **United States Design Patent**
Clarke et al.

(10) **Patent No.:** **US D1,006,161 S**
(45) **Date of Patent:** **** *Nov. 28, 2023**

- (54) **GOLF CLUB HEAD**
- (71) Applicant: **KARSTEN MANUFACTURING CORPORATION**, Phoenix, AZ (US)
- (72) Inventors: **Jacob T. Clarke**, Apex, NC (US); **Anthony D. Serrano**, Phoenix, AZ (US); **Matthew T. Schier**, Phoenix, AZ (US); **Murphy R. Alexander**, Scottsdale, AZ (US)
- (73) Assignee: **Karsten Manufacturing Corporation**, Phoenix, AZ (US)

D436,638 S	1/2001	Carrier	
6,634,956 B1 *	10/2003	Pegg	A63B 53/0487 473/340
D517,143 S *	3/2006	Petsel	D21/742
D532,844 S	11/2006	Rollinson	
D532,845 S *	11/2006	Rollinson	D21/736
D564,607 S *	3/2008	Oldknow	D21/736
D568,954 S *	5/2008	Oldknow	D21/759
D573,673 S *	7/2008	Noyes	D21/721
D574,908 S *	8/2008	Hettinger	D21/743
D582,497 S *	12/2008	Rollinson	D21/744
D589,575 S *	3/2009	Kim	D21/744

(Continued)

- (*) Notice: This patent is subject to a terminal disclaimer.
- (**) Term: **15 Years**

FOREIGN PATENT DOCUMENTS

KR 301131050.0000 * 10/2021

- (21) Appl. No.: **29/789,047**
- (22) Filed: **Aug. 26, 2021**
- (51) **LOC (14) Cl.** **21-02**
- (52) **U.S. Cl.**
USPC **D21/743**
- (58) **Field of Classification Search**
USPC D21/736-746, 759
CPC A63B 53/00; A63B 53/04; A63B 53/007;
A63B 53/065; A63B 53/0487; A63B
60/00; A63B 60/46
See application file for complete search history.

OTHER PUBLICATIONS

Golf putters google search; google.com; Feb. 16, 2023.*
(Continued)

Primary Examiner — Mitchell I. Siegel

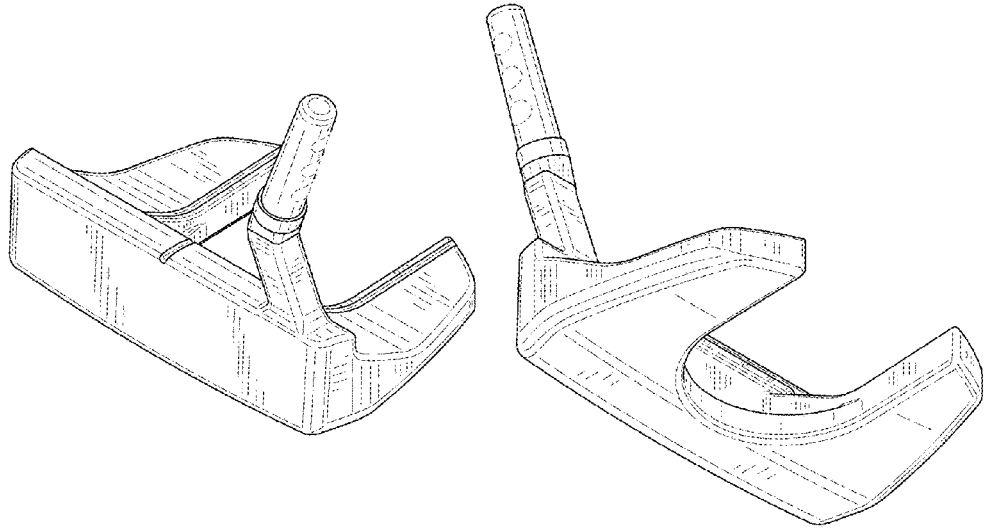
- (56) **References Cited**
U.S. PATENT DOCUMENTS
- | | | | |
|---------------|---------|----------------|-------------------------|
| 4,741,535 A | 5/1988 | Leonhardt | |
| D323,867 S | 2/1992 | Rizzotto | |
| D350,177 S * | 8/1994 | Ramirez | D21/745 |
| D359,330 S | 6/1995 | Channell | |
| D381,382 S | 7/1997 | Fenton | |
| 5,997,409 A * | 12/1999 | Mattson | A63B 53/0487
473/307 |
| D421,471 S * | 3/2000 | Moldovan | D21/744 |

(57) **CLAIM**
The ornamental design for a golf club head, as shown and described.

DESCRIPTION

FIG. 1 is a top perspective view of a golf club head; FIG. 2 is a bottom perspective view of the golf club head of FIG. 1; FIG. 3 is a top view of the golf club head of FIG. 1; FIG. 4 is a bottom view of the golf club head of FIG. 1; FIG. 5 is a front view of the golf club head of FIG. 1; FIG. 6 is a rear view of the golf club head of FIG. 1; FIG. 7 is a heel side view of the golf club head of FIG. 1; and, FIG. 8 is a toe side view of the golf club head of FIG. 1. The broken lines shown on the drawing figures form no part of the claimed design.

1 Claim, 7 Drawing Sheets



(56)

References Cited

U.S. PATENT DOCUMENTS

D590,461 S * 4/2009 Kim D21/743
 D591,371 S * 4/2009 Hilton D21/736
 D591,807 S * 5/2009 Rollinson D21/744
 D594,917 S 6/2009 Stellander
 D595,373 S * 6/2009 Kim D21/744
 D604,787 S * 11/2009 Hopkins D21/736
 D621,458 S 8/2010 Serrano et al.
 D633,971 S * 3/2011 Cardani D21/759
 D636,829 S * 4/2011 Cardani D21/759
 D670,774 S * 11/2012 Seiff D21/736
 D688,341 S * 8/2013 Rollinson D21/746
 D691,226 S * 10/2013 Hilton D21/746
 D701,274 S * 3/2014 Rollinson D21/736
 D719,622 S * 12/2014 Rollinson D21/746
 D720,821 S 1/2015 Brandt
 D728,715 S * 5/2015 Cameron D21/736
 D730,464 S * 5/2015 Cameron D21/743
 D731,605 S * 6/2015 Rollinson D21/736
 D768,248 S * 10/2016 Rollinson D21/744
 D771,208 S * 11/2016 Bettinardi D21/744
 D773,573 S * 12/2016 Abbott D21/744
 D776,771 S * 1/2017 Peterson D21/744
 D777,270 S * 1/2017 Rollinson D21/744
 D799,617 S * 10/2017 Becktor D21/742
 D801,459 S * 10/2017 Rollinson D21/746
 D807,453 S * 1/2018 Serrano D21/743
 D812,164 S * 3/2018 Parsons D21/742
 D813,963 S * 3/2018 Lapuz D21/742
 D815,222 S * 4/2018 Serrano D21/743
 D815,703 S * 4/2018 Schweigert D21/736
 D832,381 S * 10/2018 Serrano D21/743
 D844,722 S * 4/2019 Wang D21/736
 D860,356 S * 9/2019 Rollinson D21/744

D865,885 S * 11/2019 Long D21/736
 D867,495 S * 11/2019 Cameron D21/736
 D867,497 S * 11/2019 Broom D21/743
 D867,498 S * 11/2019 Broom D21/743
 D882,006 S * 4/2020 Serrano D21/736
 D892,954 S * 8/2020 Clarke D21/736
 D893,645 S * 8/2020 Serrano D21/743
 D895,748 S * 9/2020 Rollinson D21/743
 D909,508 S * 2/2021 Rollinson D21/743
 D910,789 S * 2/2021 Schweigert D21/736
 10,905,928 B2 * 2/2021 Sheldon A63B 53/0487
 D921,140 S * 6/2021 Serrano D21/736
 D930,095 S * 9/2021 Wang D21/743
 D934,362 S * 10/2021 Toulon D21/743
 D936,770 S * 11/2021 Cameron D21/744
 D941,411 S * 1/2022 Wang D21/743
 D952,081 S * 5/2022 Kirtley D21/736
 D959,584 S * 8/2022 Toulon D21/746
 D973,801 S * 12/2022 Wang D21/743
 D973,802 S * 12/2022 Clarke D21/743
 D974,510 S * 1/2023 Wang D21/743

OTHER PUBLICATIONS

<https://www.2ndswing.com/nike/golf-putters/everclear-e33/#used> ,
 Nike Everclear E33 Putter, Jun. 13, 2017.
<https://www.scottycameron.com/archives/putters/2016/futura-x/futura-x5/> , Futura XS , Jun. 13, 2017.
<http://www.clevelandgolf.com/en/clubs-/tfi-2135-elevado-putter/MTF12135ELEV.html> , TFI 2135 Elevado Putter , Jun. 13, 2017.
<http://rifegolf.com/store/#/~product/category=8856002&id=34731881> ,
 Rife General Left-hand Putter , Jun. 13, 2017.
 TitleistR 2015, p. 41, Acushnet Japan, Inc. Feb. 2015.

* cited by examiner

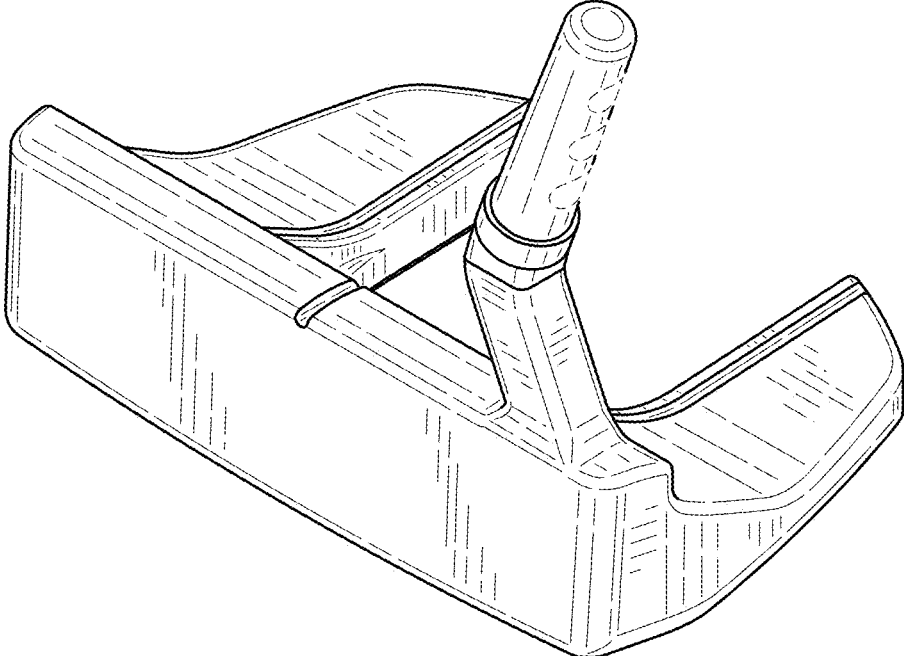


FIG. 1

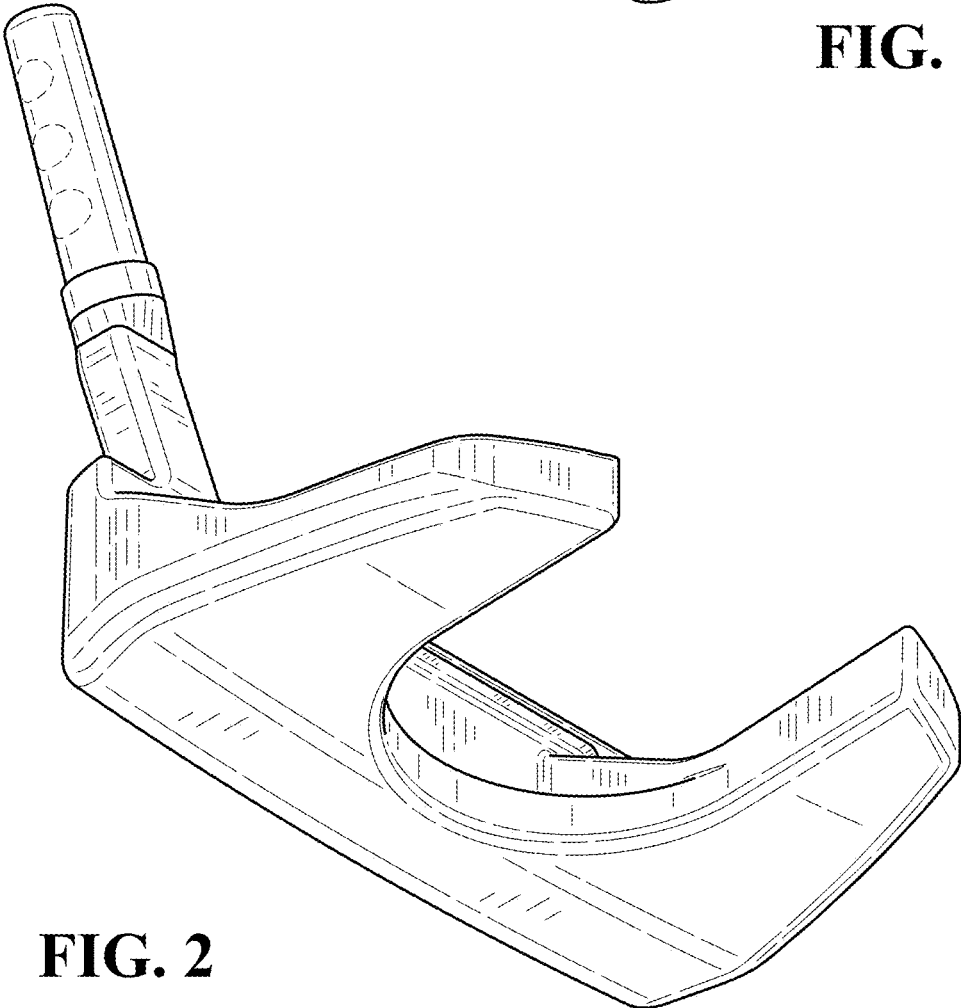


FIG. 2

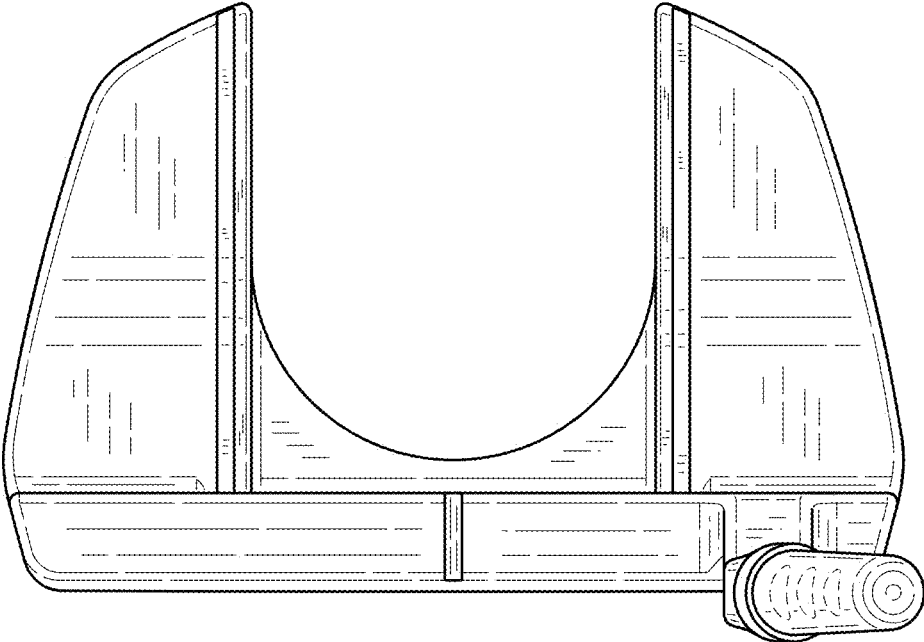


FIG. 3

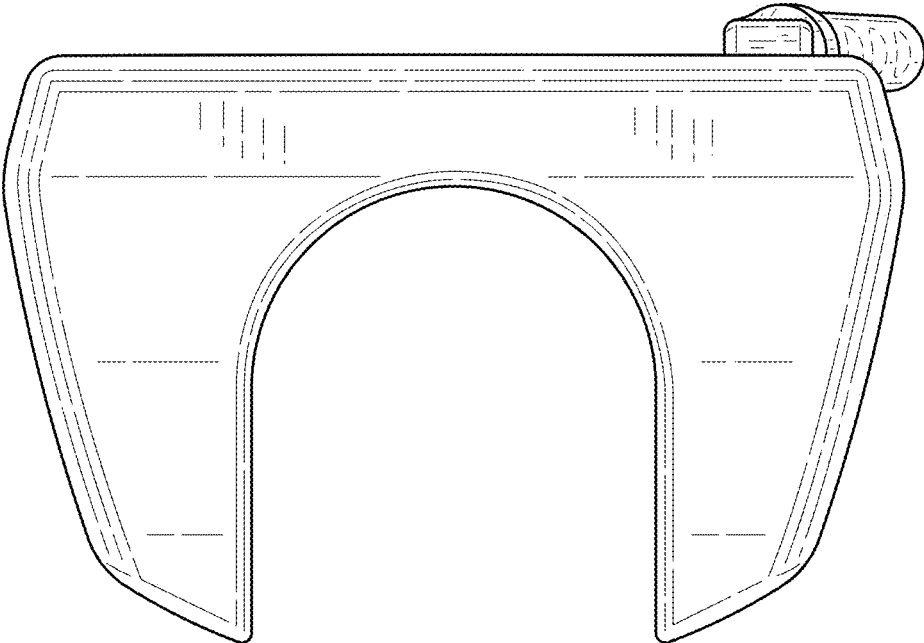


FIG. 4

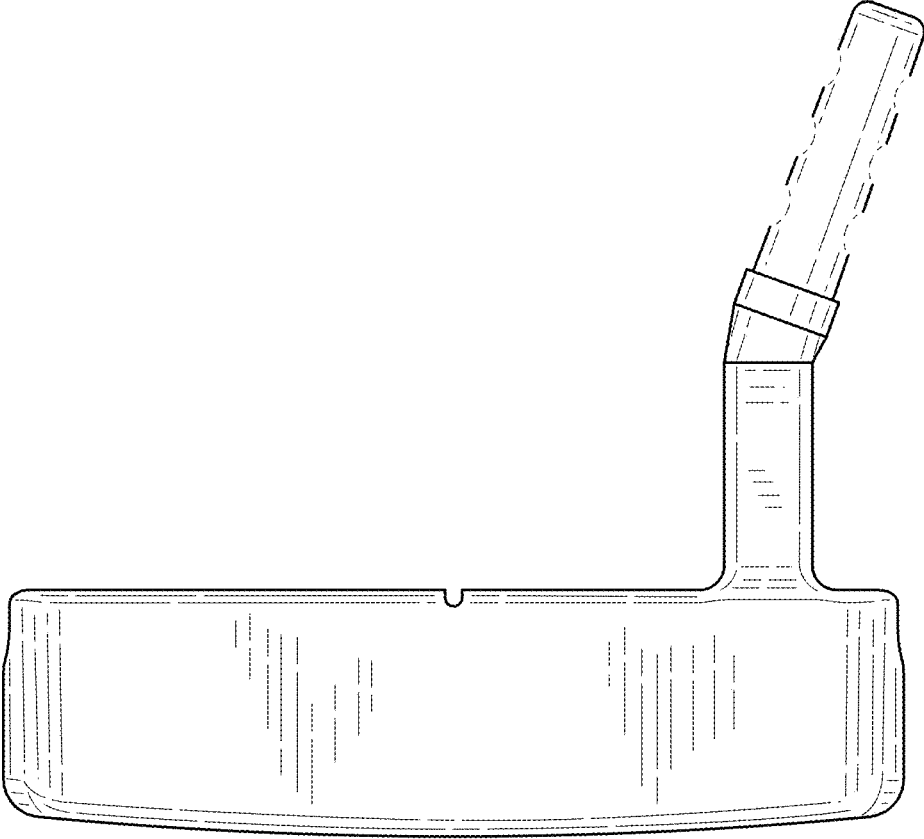


FIG. 5

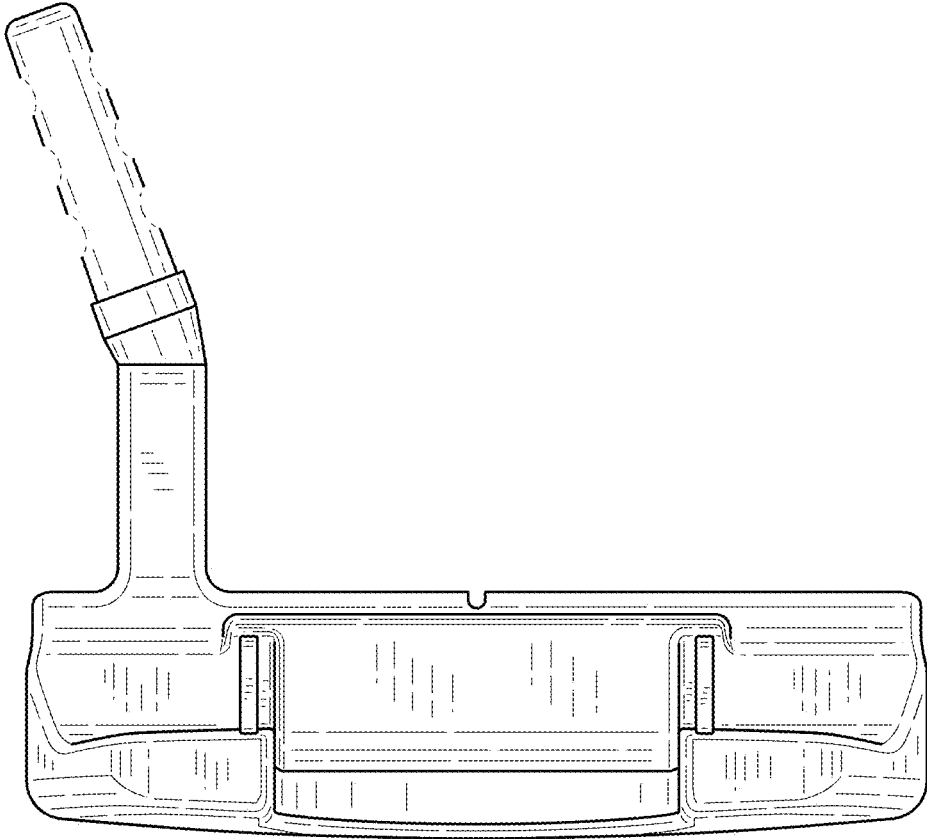


FIG. 6

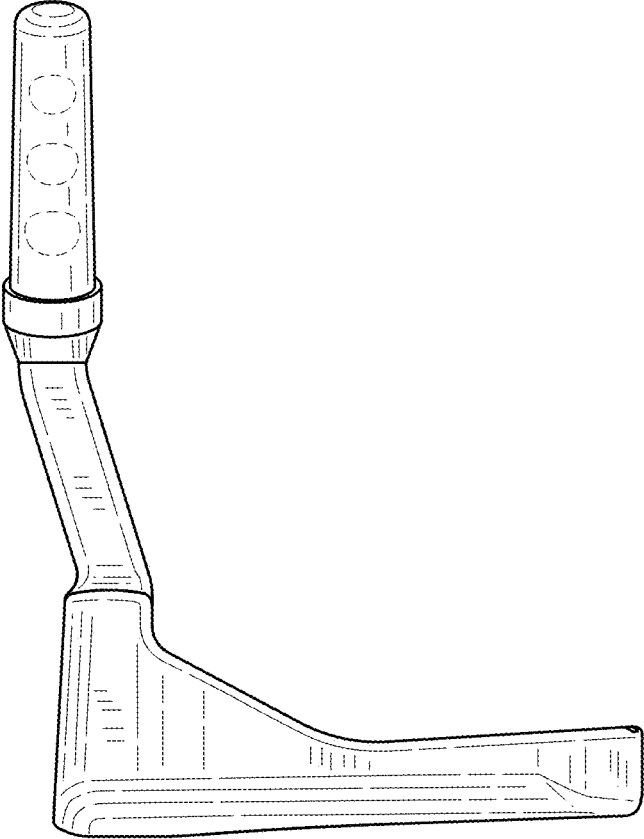


FIG. 7

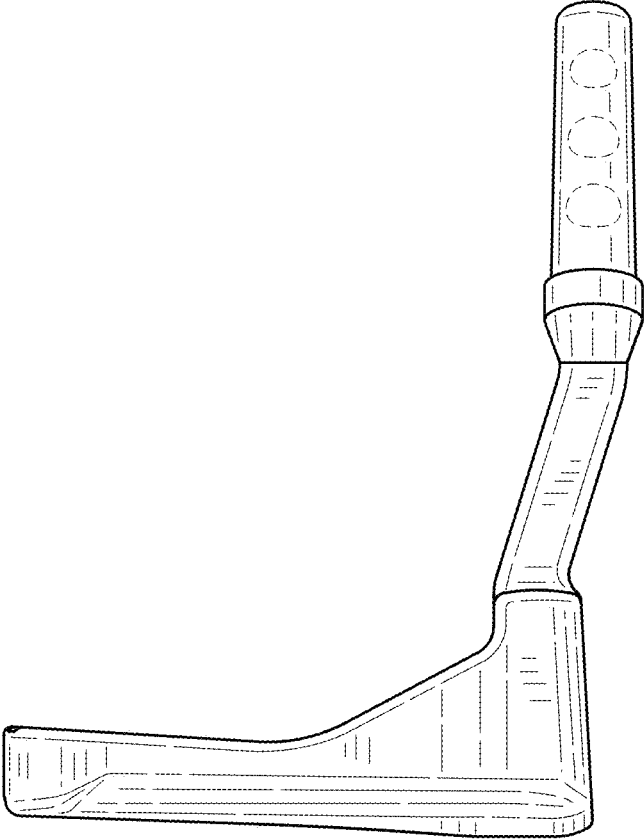


FIG. 8