



US00D893469S

(12) **United States Design Patent**
Chou et al.

(10) **Patent No.:** **US D893,469 S**

(45) **Date of Patent:** **** Aug. 18, 2020**

(54) **PHONE HOLDER**

(71) Applicant: **Essenlix Corporation**, Monmouth Junction, NJ (US)

(72) Inventors: **Stephen Y. Chou**, Princeton, NJ (US); **Wei Ding**, East Windsor, NJ (US); **Ji Qi**, Hillsborough, NJ (US); **Hua Tan**, Princeton Junction, NJ (US)

(**) Term: **15 Years**

(21) Appl. No.: **29/671,038**

(22) Filed: **Nov. 21, 2018**

(51) **LOC (12) Cl.** **14-03**

(52) **U.S. Cl.**

USPC **D14/253**

(58) **Field of Classification Search**

USPC D14/251-253, 447, 452, 432-434, 440; D12/415; D3/218, 144, 274, 294; D8/349, 363

CPC H04M 1/02; H04M 1/04; B60R 11/02; F16M 11/00; F16M 11/04; F16M 11/06

See application file for complete search history.

(56) **References Cited**

U.S. PATENT DOCUMENTS

5,321,975	A	6/1994	Wardlaw et al.
5,948,686	A	9/1999	Wardlaw
6,017,767	A	1/2000	Chandler
6,022,734	A	2/2000	Wardlaw
6,235,536	B1	5/2001	Wardlaw
6,350,613	B1	2/2002	Wardlaw et al.
6,723,290	B1	4/2004	Wardlaw
6,866,823	B2	3/2005	Wardlaw
6,869,570	B2	3/2005	Wardlaw
6,929,953	B1	8/2005	Wardlaw
7,731,901	B2	6/2010	Wardlaw
7,850,916	B2	12/2010	Wardlaw

7,903,241	B2	3/2011	Wardlaw et al.
7,929,121	B2	4/2011	Wardlaw et al.
7,929,122	B2	4/2011	Wardlaw et al.
7,995,194	B2	8/2011	Wardlaw et al.
8,045,165	B2	10/2011	Wardlaw et al.
8,077,296	B2	12/2011	Wardlaw et al.
8,158,434	B2	4/2012	Wardlaw
8,221,985	B2	7/2012	Wardlaw et al.
8,241,572	B2	8/2012	Wardlaw
8,310,658	B2	11/2012	Wardlaw et al.
8,310,659	B2	11/2012	Wardlaw et al.
8,319,954	B2	11/2012	Wardlaw et al.
8,326,008	B2	12/2012	Lalpuria et al.
8,367,012	B2	2/2013	Wardlaw
D681,325	S *	5/2013	Makeig D3/218
8,467,063	B2	6/2013	Wardlaw et al.
D685,571	S *	7/2013	Chang D3/218
8,569,076	B2	10/2013	Wardlaw et al.

(Continued)

FOREIGN PATENT DOCUMENTS

WO	2017027643	2/2018
WO	2017048871	3/2018

(Continued)

Primary Examiner — Janice Hallmark

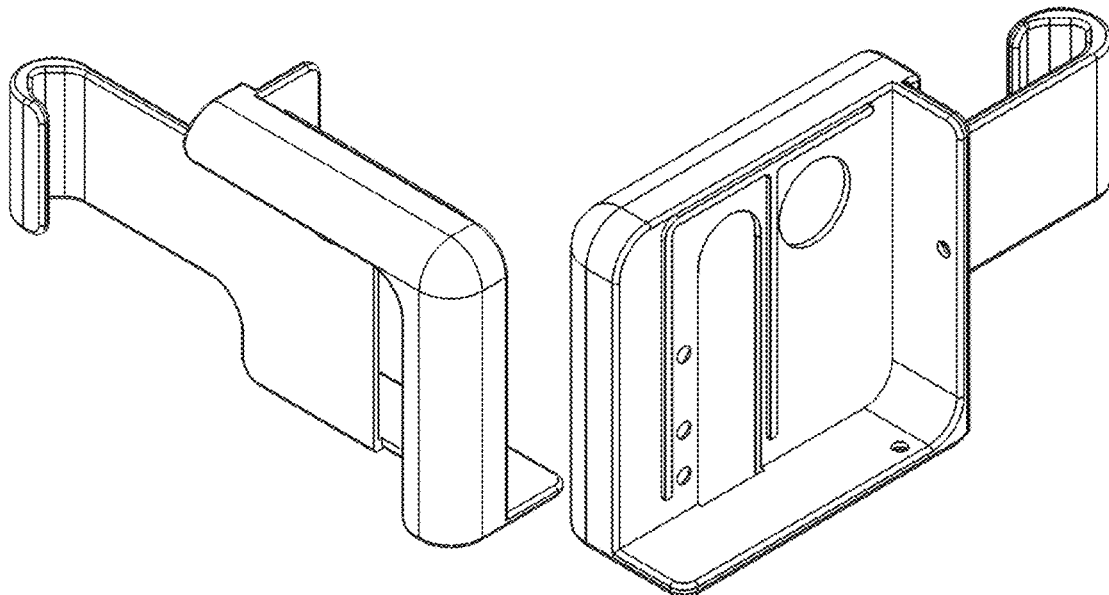
(57) **CLAIM**

The ornamental design for a phone holder, as shown and described.

DESCRIPTION

FIG. 1 shows a front perspective view of the phone holder. FIG. 2 shows a rear perspective view thereof. FIG. 3 shows a top view thereof. FIG. 4 shows a bottom view thereof. FIG. 5 shows a front view thereof. FIG. 6 shows a rear view thereof. FIG. 7 shows a right side view thereof; and, FIG. 8 shows a left side view thereof.

1 Claim, 6 Drawing Sheets



(56)

References Cited

U.S. PATENT DOCUMENTS

8,638,427	B2	1/2014	Wardlaw et al.
8,842,264	B2	9/2014	Wardlaw et al.
8,885,154	B2	11/2014	Wardlaw et al.
8,974,732	B2	3/2015	Lalpuria et al.
9,084,995	B2	7/2015	Wardlaw
9,199,233	B2	12/2015	Wardlaw
9,274,094	B2	3/2016	Wardlaw et al.
9,322,835	B2	4/2016	Wardlaw
10,132,794	B2	11/2018	Chou et al.
2006/0246598	A1	11/2006	Dai et al.
2018/0156775	A1	6/2018	Chou et al.
2018/0157058	A1	6/2018	Chou et al.
2018/0202903	A1	7/2018	Chou et al.
2018/0246089	A1	8/2018	Chou et al.

FOREIGN PATENT DOCUMENTS

WO	2018107105	6/2018
WO	2018119318	6/2018
WO	2018148342	8/2018
WO	2018148469	8/2018
WO	2018148470	8/2018
WO	2018148471	8/2018
WO	2018148606	8/2018
WO	2018148607	8/2018
WO	2018148609	8/2018
WO	2018148729	8/2018
WO	2018148764	8/2018
WO	2018152005	8/2018
WO	2018152351	8/2018
WO	2018152421	8/2018
WO	2018152422	8/2018
WO	2018195528	10/2018

* cited by examiner

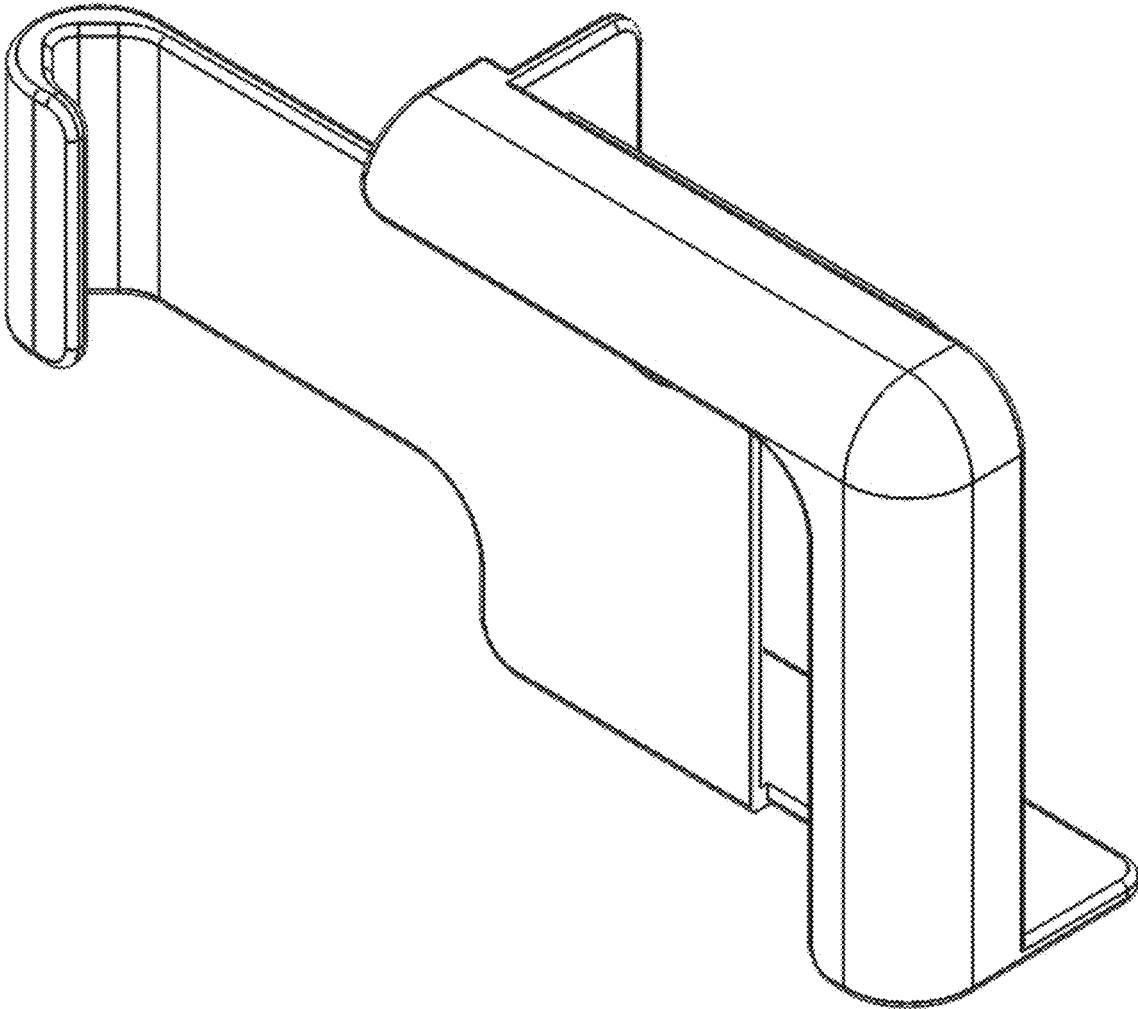


FIG. 1

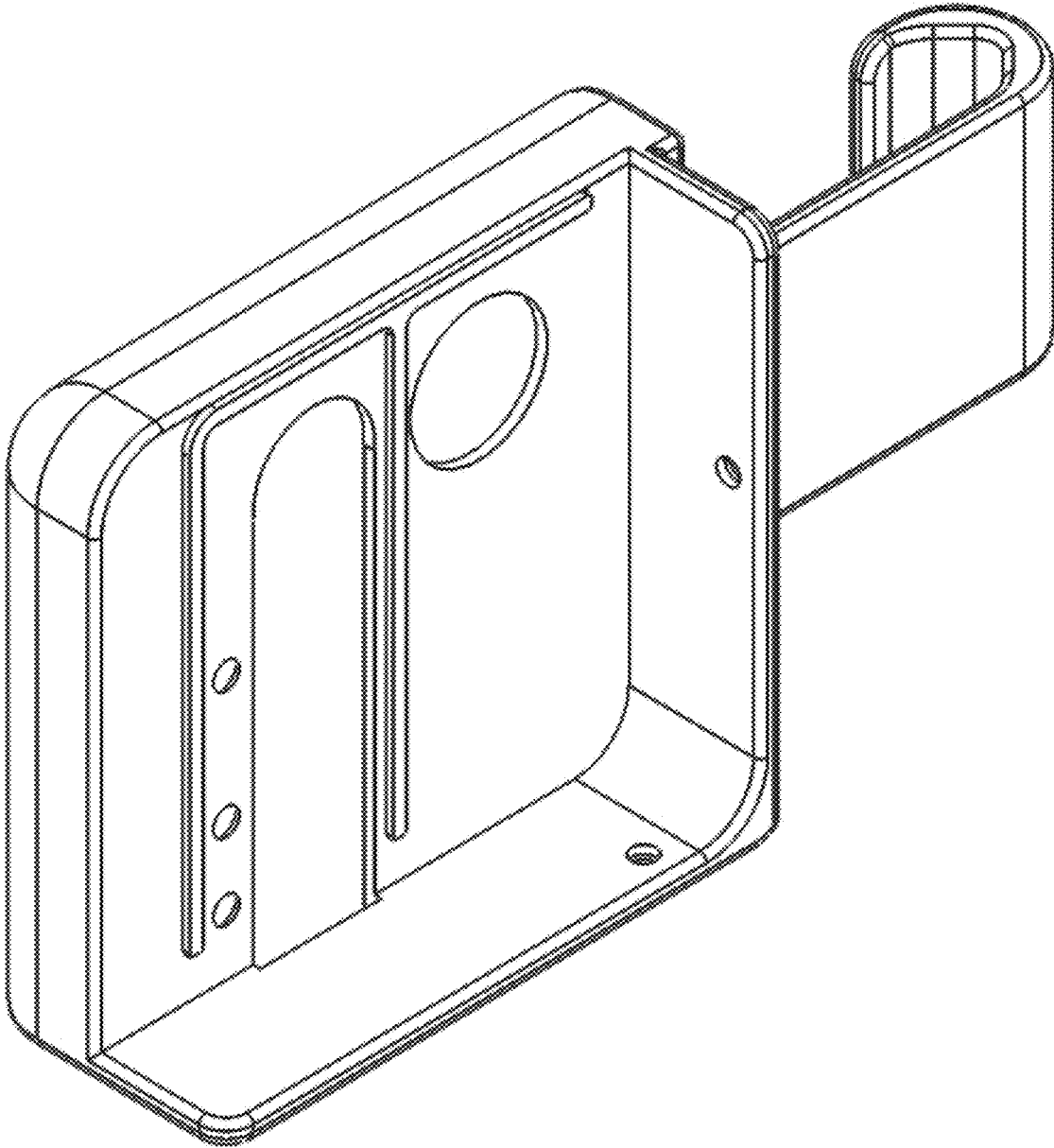


FIG. 2

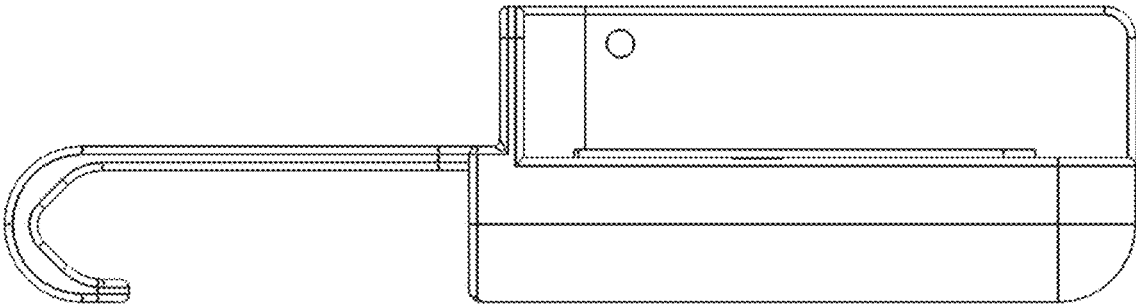


FIG. 3

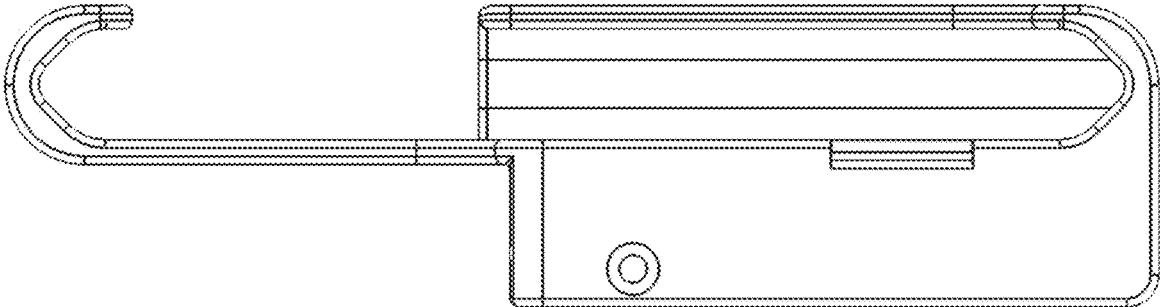


FIG. 4

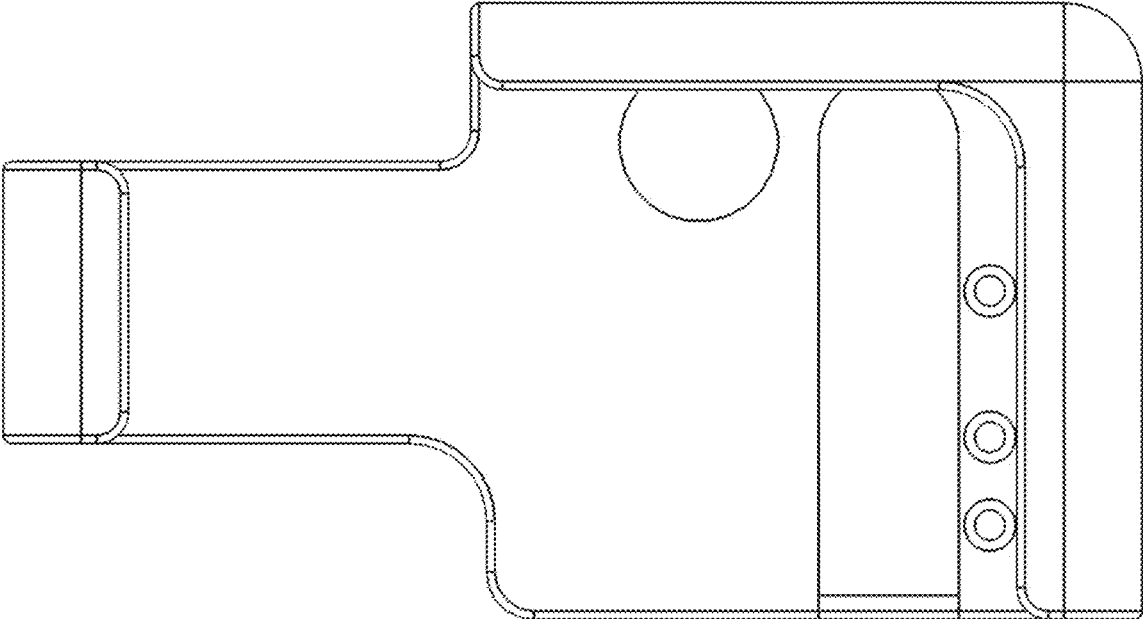


FIG. 5

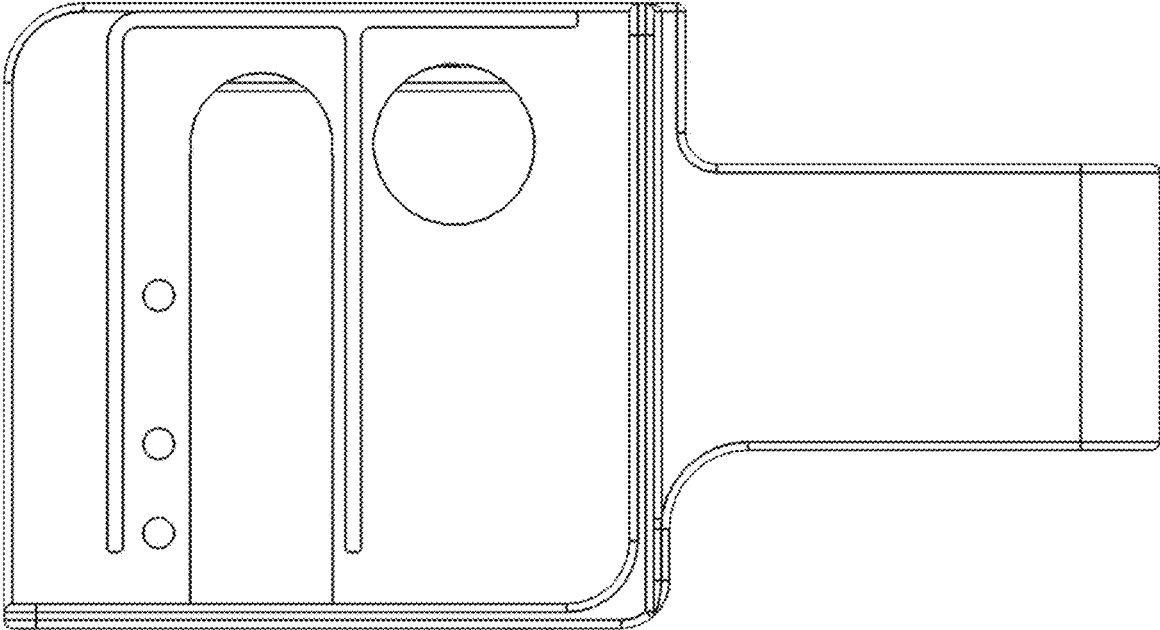


FIG. 6

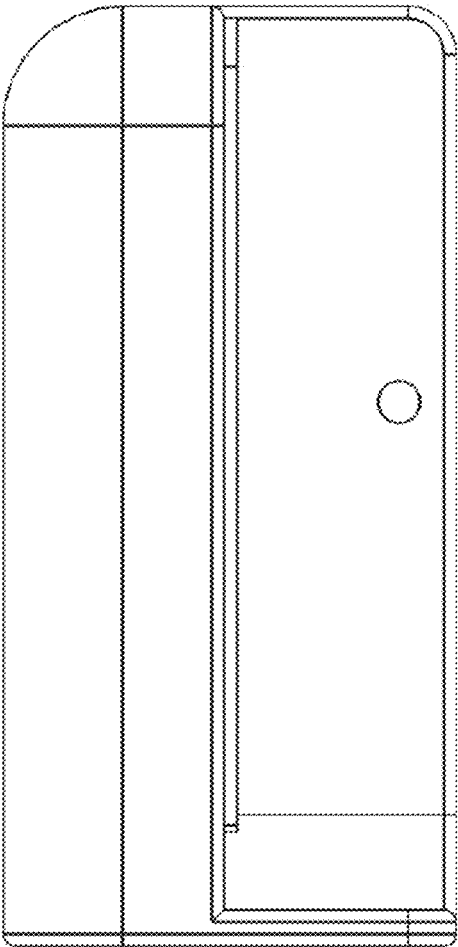


FIG. 7

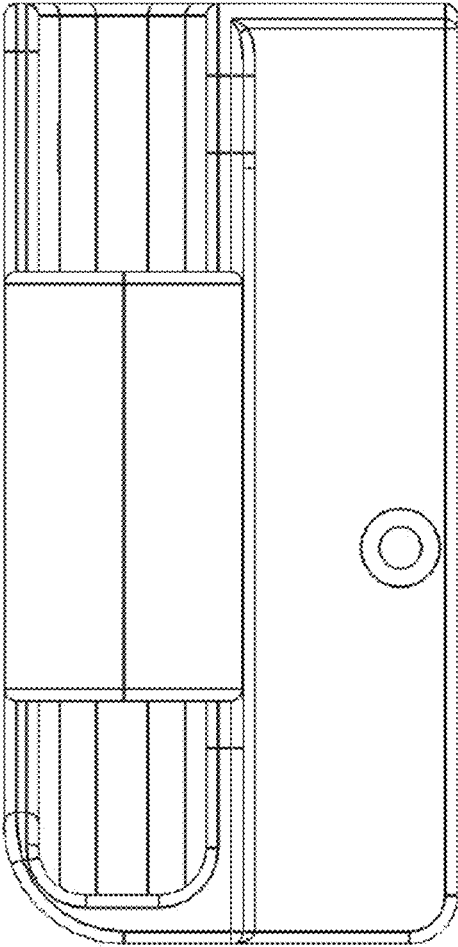


FIG. 8