



US0D1012290S

(12) **United States Design Patent**
Farrell

(10) **Patent No.:** **US D1,012,290 S**

(45) **Date of Patent:** **** Jan. 23, 2024**

(54) **ORAL APPLIANCE**

(71) Applicant: **Myosa Pty Ltd**, Helensvale (AU)

(72) Inventor: **Christopher John Farrell**, Helensvale (AU)

(73) Assignee: **Myosa Pty Ltd**

(**) Term: **15 Years**

(21) Appl. No.: **29/883,576**

(22) Filed: **Jan. 31, 2023**

Related U.S. Application Data

(62) Division of application No. 29/814,258, filed on Nov. 4, 2021, now Pat. No. Des. 980,430, which is a division of application No. 29/725,627, filed on Feb. 26, 2020, now Pat. No. Des. 938,043.

Foreign Application Priority Data

Aug. 27, 2019 (AU) 201914867

(51) **LOC (14) Cl.** **24-02**

(52) **U.S. Cl.**
USPC **D24/181; D24/180**

(58) **Field of Classification Search**

USPC D24/176–182, 110.5; D29/108
CPC A61F 5/566; A61F 2005/563; A61C 7/08;
A61C 7/36; A63B 71/085; A63B
2071/086

See application file for complete search history.

(56) **References Cited**

U.S. PATENT DOCUMENTS

RE33,442 E 11/1990 George
5,092,346 A 3/1992 Hays et al.
5,792,067 A 8/1998 Karell
9,717,975 B2 8/2017 Evans et al.
D800,317 S 10/2017 Farrell

D854,679 S 7/2019 Gerschman et al.
D867,673 S 11/2019 Turkbass
D869,774 S 12/2019 Turkbass
D890,930 S 7/2020 Farrell
D899,601 S * 10/2020 Farrell D24/180
D903,123 S * 11/2020 Farrell D24/180
D904,620 S 12/2020 Farrell

(Continued)

FOREIGN PATENT DOCUMENTS

AU D201717102 7/2018
AU D201813962 8/2018

(Continued)

Primary Examiner — Wan Laymon

(74) *Attorney, Agent, or Firm* — Lerner David LLP

(57) **CLAIM**

The ornamental design for an oral appliance, as shown and described.

DESCRIPTION

FIG. 1 is a front perspective view of an oral appliance of the design;

FIG. 2 is a rear perspective view of the oral appliance as shown in FIG. 1;

FIG. 3 is a front view of the oral appliance as shown in FIG. 1;

FIG. 4 is a rear view of the oral appliance as shown in FIG. 1;

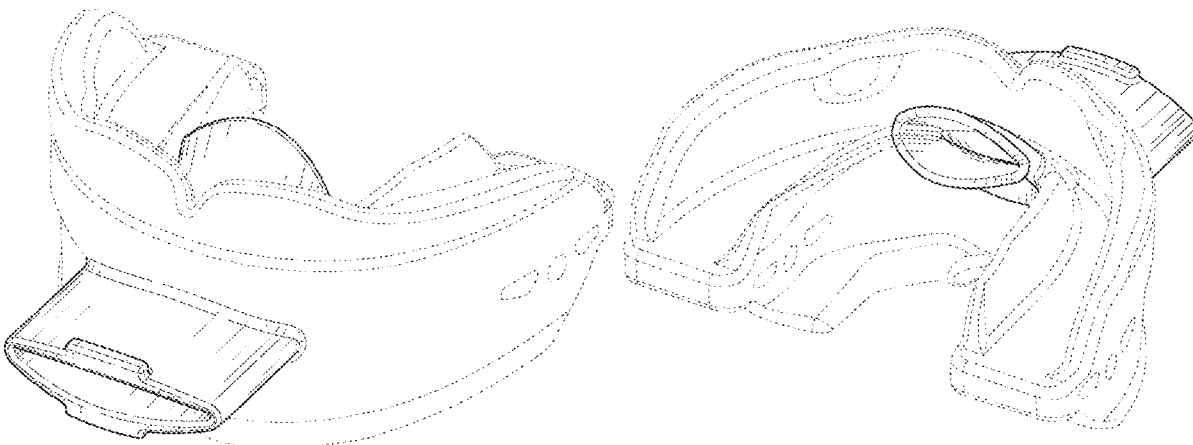
FIG. 5 is a left side view of the oral appliance as shown in FIG. 1;

FIG. 6 is a top plan view of the oral appliance as shown in FIG. 1; and,

FIG. 7 is a bottom plan view of the oral appliance shown in FIG. 1.

The broken lines shown in the drawings are for the purpose of illustrating environmental structure and form no part of the claimed design.

1 Claim, 6 Drawing Sheets



(56)

References Cited

U.S. PATENT DOCUMENTS

D909,586	S	2/2021	Farrell	
D938,043	S	12/2021	Farrell	
D938,044	S	12/2021	Farrell	
D962,447	S *	8/2022	Farrell 24/181
D980,430	S *	3/2023	Farrell D24/180
D990,686	S *	6/2023	Farrell D24/180
2008/0257358	A1	10/2008	Stern et al.	
2010/0311003	A1	12/2010	Kozlov	
2019/0125574	A1	5/2019	Ignacio et al.	
2020/0215384	A1	7/2020	Farrell	
2020/0268545	A1	8/2020	Huang	
2021/0077293	A1	3/2021	Ogle et al.	
2021/0162156	A1	6/2021	Farrell	

FOREIGN PATENT DOCUMENTS

AU	D201813963	8/2018	
AU	D201813964	8/2018	
AU	D201813965	8/2018	
AU	D201813151	1/2019	
AU	D201813153	1/2019	
AU	D201813152	3/2019	
AU	D201910344	3/2019	
AU	D201910345	3/2019	
JP	D1629348	4/2019	
WO	2012155214 A1	11/2012	
WO	2015149127 A1	10/2015	
WO	2017020079 A1	2/2017	
WO	2017165918 A1	10/2017	
WO	2018098527 A1	6/2018	
WO	2019051545 A1	3/2019	

* cited by examiner

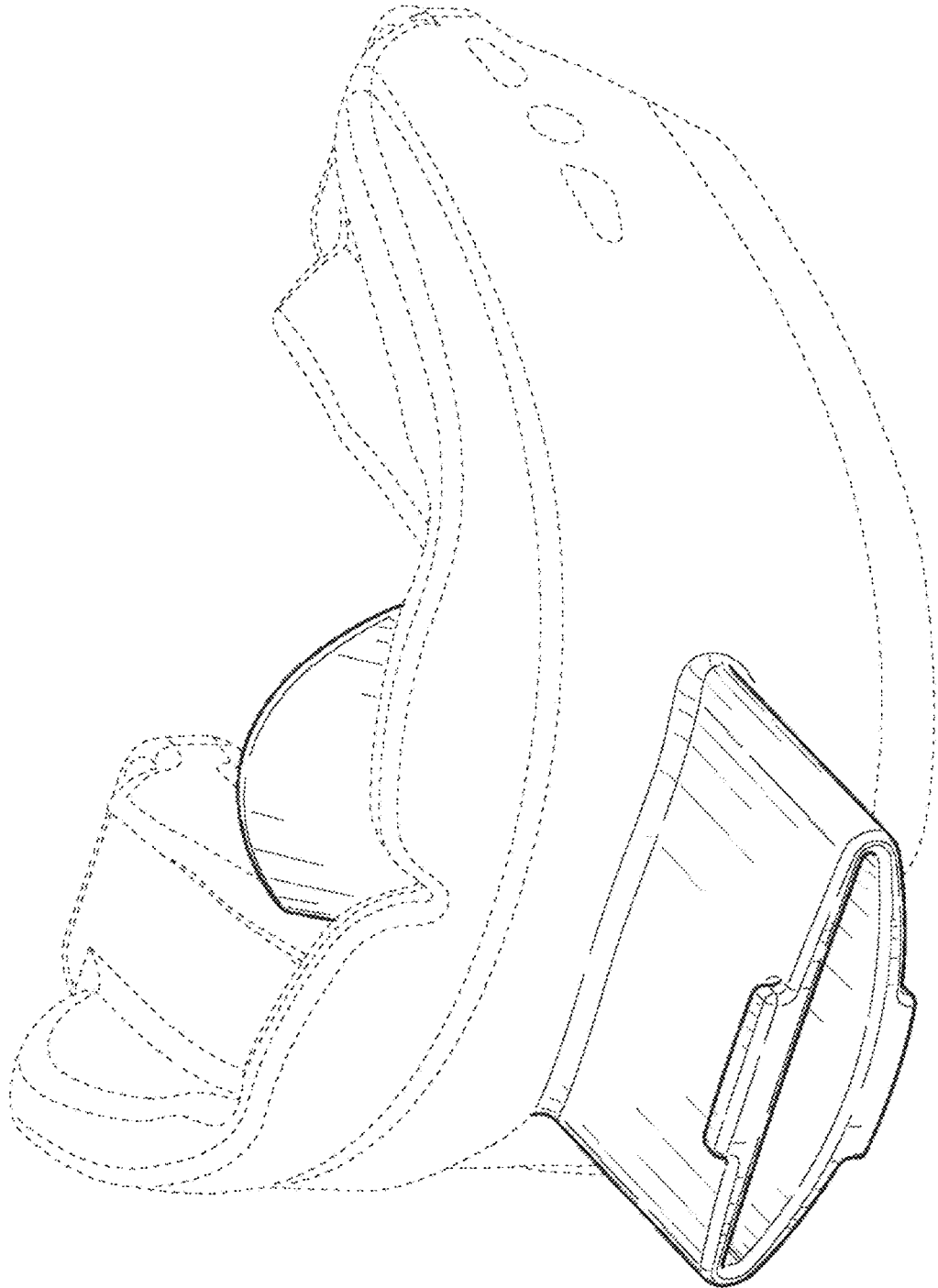


FIG. 1

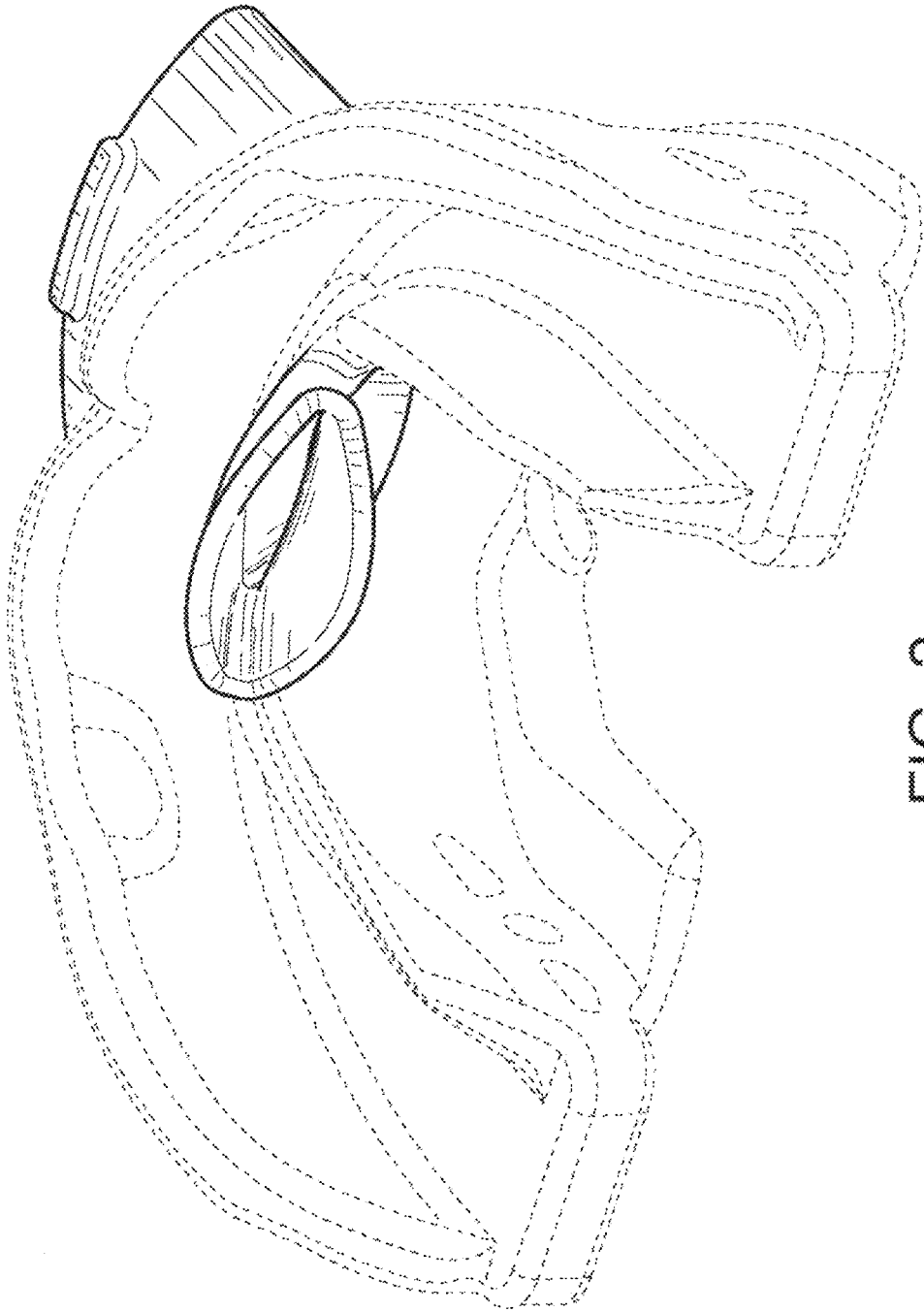


FIG. 2

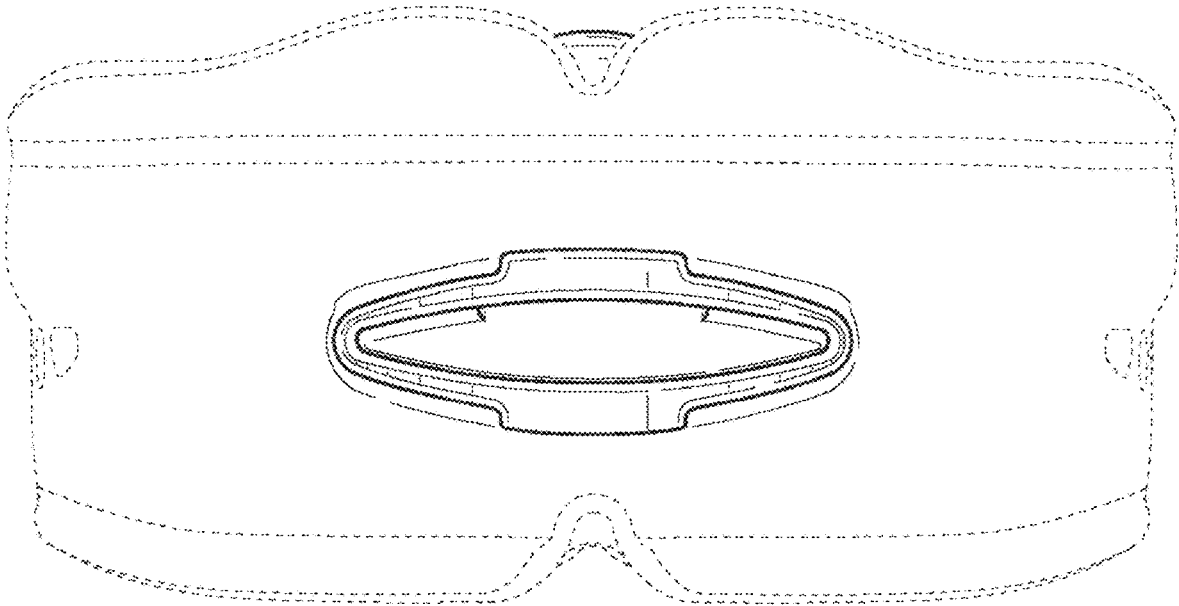


FIG. 3

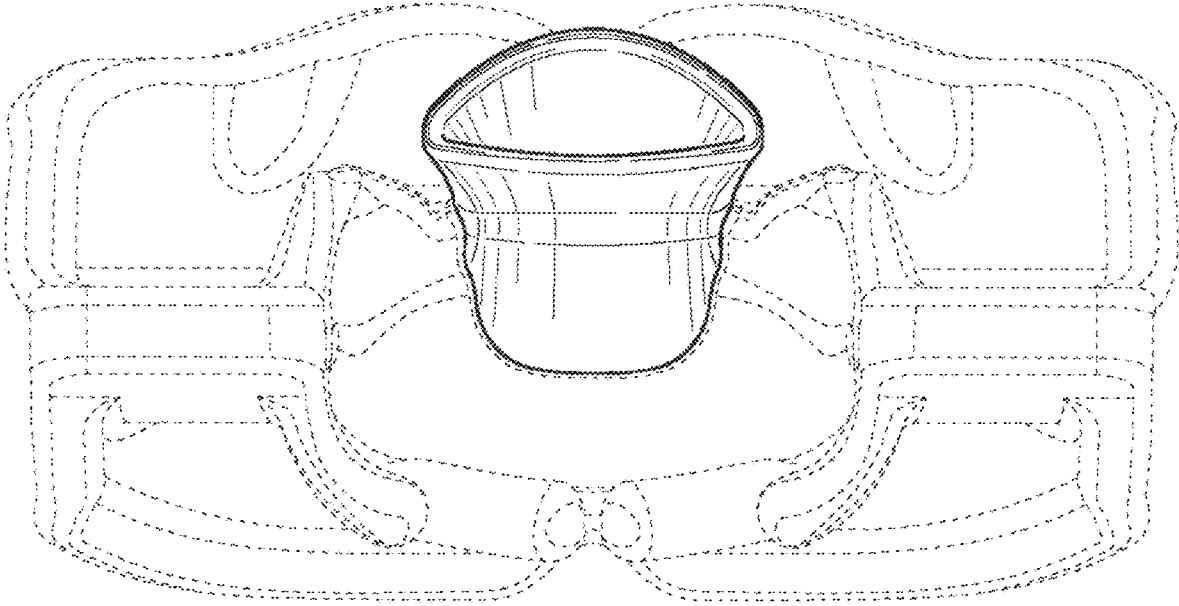


FIG. 4

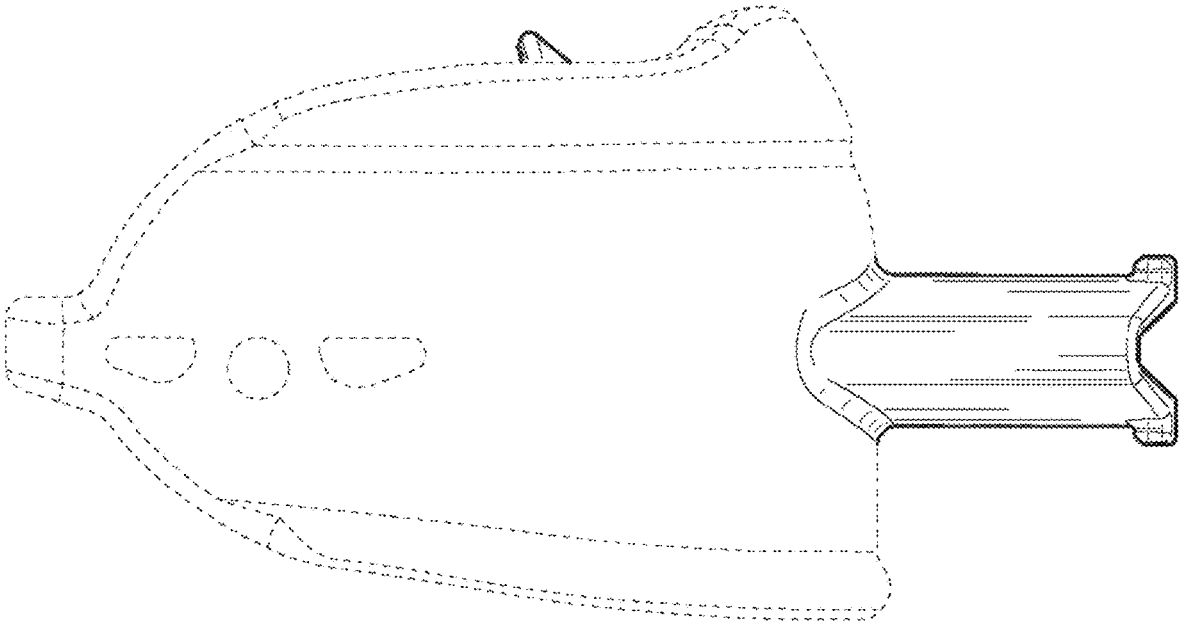


FIG. 5

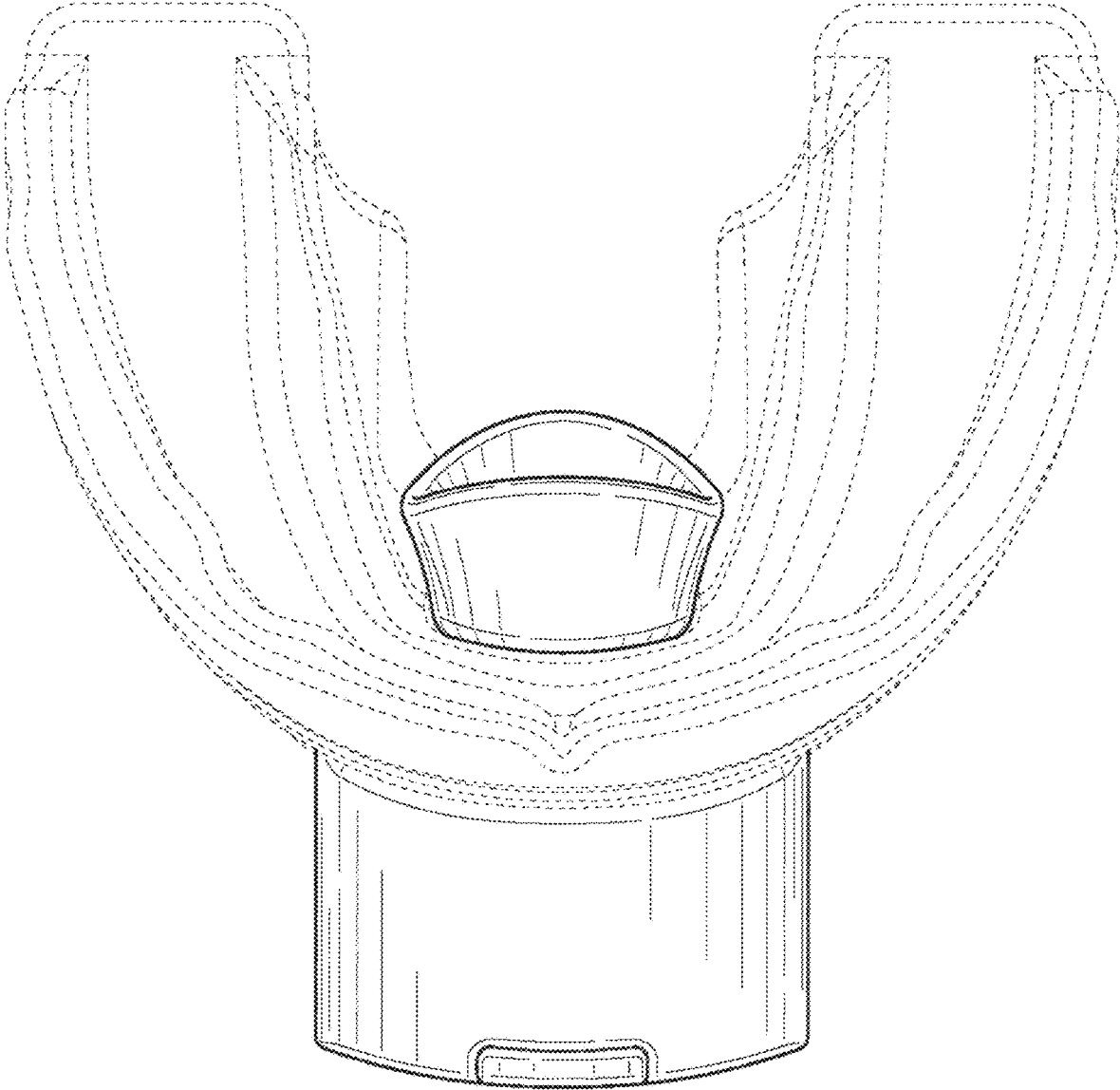


FIG. 6

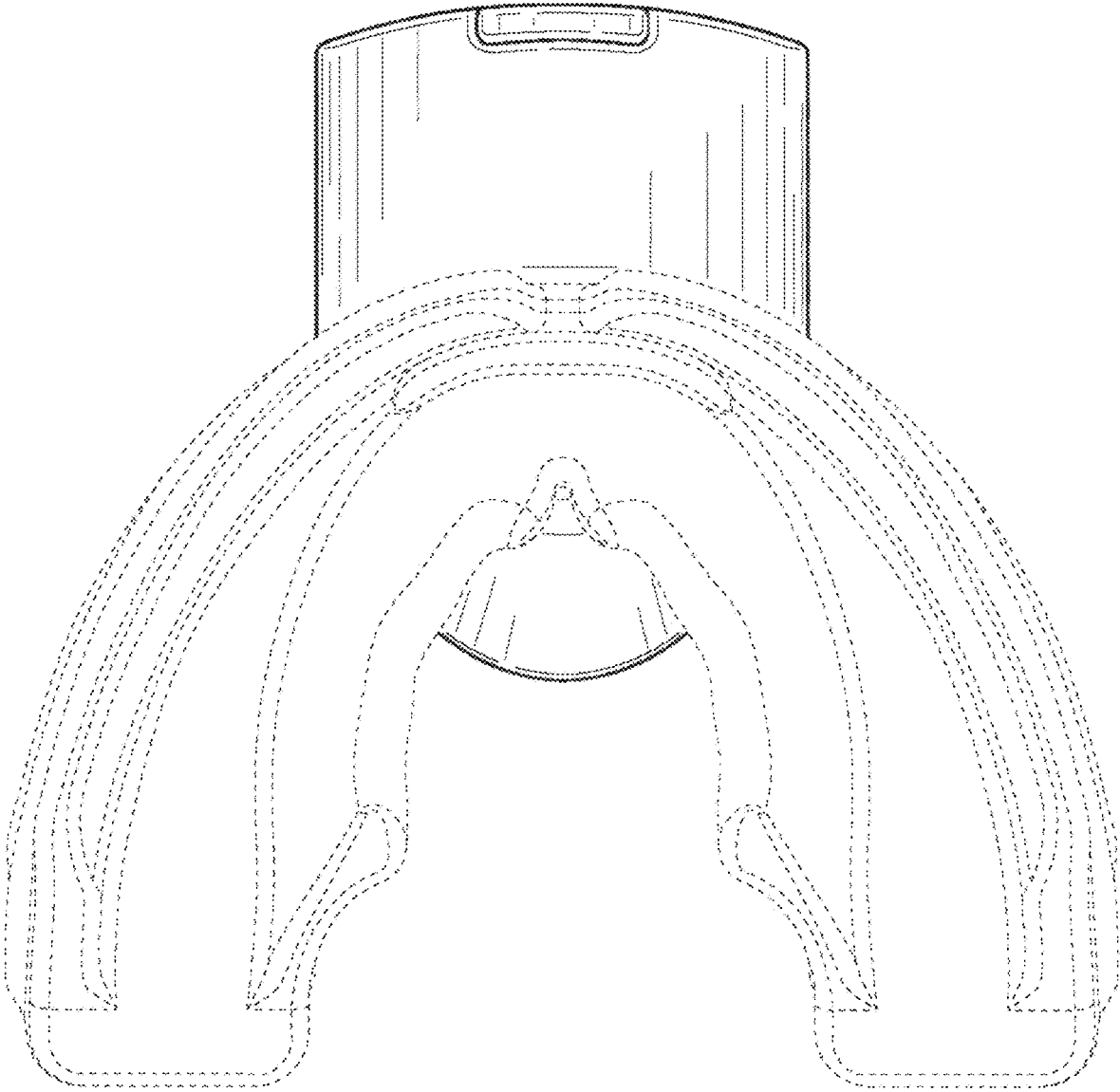


FIG. 7