



(86) Date de dépôt PCT/PCT Filing Date: 2003/02/12
 (87) Date publication PCT/PCT Publication Date: 2003/08/21
 (85) Entrée phase nationale/National Entry: 2004/06/29
 (86) N° demande PCT/PCT Application No.: US 2003/004074
 (87) N° publication PCT/PCT Publication No.: 2003/068025
 (30) Priorités/Priorities: 2002/02/13 (60/356,478) US;
 2002/10/15 (60/418,578) US

(51) Cl.Int.⁷/Int.Cl.⁷ A47C 1/022, A47C 7/54, A47C 7/40,
 A47C 3/026

(71) Demandeur/Applicant:
 HERMAN MILLER, INC., US

(72) Inventeurs/Inventors:
 SCHMITZ, JOHANN BURKHARD, DE;
 PLIKAT, CLAUDIA, DE;
 NEUBERT, NICOLAI, DE;
 ZWICK, CAROLA E. M., DE;
 ZWICK, ROLAND R. O., DE;
 AERTS, CHAD D., US;

...
 (74) Agent: CASSAN MACLEAN

(54) Titre : FAUTEUIL BASCULANT A DOSSIER FLEXIBLE, ACCOUDOIRS REGLABLES ET PROFONDEUR DE SIEGE
 REGLABLE, ET LEURS PROCEDES D'UTILISATION
 (54) Title: TILT CHAIR HAVING A FLEXIBLE BACK, ADJUSTABLE ARMRESTS AND ASJUSTABLE SEAT DEPTH,
 AND METHODS FOR THE USE THEREOF

(57) **Abrégé/Abstract:**

A tiltable chair including a housing, a back support pivotally attached to the housing about a first horizontal axis and a seat support pivotally attached to the back support about a second horizontal axis and moveably supported by a curved track formed on the housing. A leaf spring includes a first end supported by the housing and a second end biasing the back support and seat support in an upward direction. Preferably, a fulcrum member, which includes a support surface having a curvilinear contour, is moveably supported in the housing and engages a bottom surface of the spring intermediate the first and second ends of the spring. Preferably, a linkage mechanism including a first and second link is adapted to adjust the position of the fulcrum. In another preferred embodiment, a gear housing is removably disposed in said housing and coupled to the fulcrum. In one preferred embodiment, rearward and forward tilt limiters are provided. In various preferred embodiments, the chair further includes a backrest having a plurality of openings, and armrests that are vertically, laterally and pivotally adjustable. In a preferred embodiment, a kit for assembling a seating structure includes a tilt housing having a plurality of connector arrangements comprising at least a first and second connector arrangement, a first seating arrangement having a first mounting arrangement configured to be connected to the first connector arrangement, and a second seating arrangement having a second mounting arrangement configured to be connected to the second connector arrangement.

(72) **Inventeurs(suite)/Inventors(continued)**: ALDRICH, JOHN F., DE; HILL, CHRISTOPHER C., US;
RAMSDELL, SHANE M., US; SLAGH, JAMES D., US; VAN DE RIET, DOUGLAS M., US

(12) INTERNATIONAL APPLICATION PUBLISHED UNDER THE PATENT COOPERATION TREATY (PCT)

(19) World Intellectual Property Organization
International Bureau



(43) International Publication Date
21 August 2003 (21.08.2003)

PCT

(10) International Publication Number
WO 03/068025 A2

- (51) International Patent Classification⁷: **A47C** (US). **SLAGH, James, D.**; A-5240 143rd Avenue, Holland, MI 49424 (US). **VAN DE RIET, Douglas, M.**; 2198 North Bristol, Holland, MI 49424 (US).
- (21) International Application Number: PCT/US03/04074
- (22) International Filing Date: 12 February 2003 (12.02.2003)
- (25) Filing Language: English
- (26) Publication Language: English
- (30) Priority Data:
60/356,478 13 February 2002 (13.02.2002) US
60/418,578 15 October 2002 (15.10.2002) US
- (71) Applicant: **HERMAN MILLER, INC.** [US/US]; 855 East Main Avenue, Zeeland, MI 49464 (US).
- (72) Inventors: **SCHMITZ, Johann, Burkhard**; Kanstrasse 57, 10627 Berlin (DE). **PLIKAT, Claudia**; Am Beller-mannstrasse 1, 13357 Berlin (DE). **NEUBERT, Nicolai**; Tubingerstrasse 3, 10715 Berlin (DE). **ZWICK, Carola, E., M.**; Kanstrasse 30, 10623 Berlin (DE). **ZWICK, Roland, R., O.**; Nehringstrasse 4a, 14059 Berlin (DE). **AERTS, Chad, D.**; 14663 177th Street, Grand Haven, MI 49417 (US). **ALDRICH, John, F.**; 3014 Tansy Trail, Grandville, MI 49418 (DE). **HILL, Christopher, C.**; P.O. Box 3265, Holland, MI 49422 (US). **RAMSDELL, Shane, M.**; 10770 Settlewood Drive, Lowell, MI 49331
- (74) Agent: **STOVER, Andrew, D.**; Brinks Hofer Gilson & Lione, P.O.Box 10087, Chicago, IL 60610 (US).
- (81) Designated States (*national*): AE, AG, AL, AM, AT, AU, AZ, BA, BB, BG, BR, BY, BZ, CA, CH, CN, CO, CR, CU, CZ, DE, DK, DM, DZ, EC, EE, ES, FI, GB, GD, GE, GH, GM, HR, HU, ID, IL, IN, IS, JP, KE, KG, KP, KR, KZ, LC, LK, LR, LS, LT, LU, LV, MA, MD, MG, MK, MN, MW, MX, MZ, NO, NZ, OM, PH, PL, PT, RO, RU, SC, SD, SE, SG, SK, SL, TJ, TM, TN, TR, TT, TZ, UA, UG, UZ, VC, VN, YU, ZA, ZM, ZW.
- (84) Designated States (*regional*): ARIPO patent (GH, GM, KE, LS, MW, MZ, SD, SL, SZ, TZ, UG, ZM, ZW), Eurasian patent (AM, AZ, BY, KG, KZ, MD, RU, TJ, TM), European patent (AT, BE, BG, CH, CY, CZ, DE, DK, EE, ES, FI, FR, GB, GR, HU, IE, IT, LU, MC, NL, PT, SE, SI, SK, TR), OAPI patent (BF, BJ, CF, CG, CI, CM, GA, GN, GQ, GW, ML, MR, NE, SN, TD, TG).
- Published:**
— *without international search report and to be republished upon receipt of that report*
- For two-letter codes and other abbreviations, refer to the "Guidance Notes on Codes and Abbreviations" appearing at the beginning of each regular issue of the PCT Gazette.*

(54) Title: TILT CHAIR HAVING A FLEXIBLE BACK, ADJUSTABLE ARMRESTS AND ASJUSTABLE SEAT DEPTH, AND METHODS FOR THE USE THEREOF

(57) Abstract: A tiltable chair including a housing, a back support pivotally attached to the housing about a first horizontal axis and a seat support pivotally attached to the back support about a second horizontal axis and moveably supported by a curved track formed on the housing. A leaf spring includes a first end supported by the housing and a second end biasing the back support and seat support in an upward direction. Preferably, a fulcrum member, which includes a support surface having a curvilinear contour, is moveably supported in the housing and engages a bottom surface of the spring intermediate the first and second ends of the spring. Preferably, a linkage mechanism including a first and second link is adapted to adjust the position of the fulcrum. In another preferred embodiment, a gear housing is removably disposed in said housing and coupled to the fulcrum. In one preferred embodiment, rearward and forward tilt limiters are provided. In various preferred embodiments, the chair further includes a backrest having a plurality of openings, and armrests that are vertically, laterally and pivotally adjustable. In a preferred embodiment, a kit for assembling a seating structure includes a tilt housing having a plurality of connector arrangements comprising at least a first and second connector arrangement, a first seating arrangement having a first mounting arrangement configured to be connected to the first connector arrangement, and a second seating arrangement having a second mounting arrangement configured to be connected to the second connector arrangement.



WO 03/068025 A2

**TILT CHAIR HAVING A FLEXIBLE BACK, ADJUSTABLE
ARMRESTS AND ADJUSTABLE SEAT DEPTH, AND METHODS
FOR THE USE THEREOF**

5 **BACKGROUND**

The present invention relates generally to tiltable chairs, and in particular, to a tilt chair having a flexible back, adjustable armrests, and an adjustable seat depth, and methods for using and/or adjusting the chair, including one or more of the seat, backrest and armrests.

Chairs of the type typically used in offices and the like are usually configured to allow tilting of the seat and backrest as a unit, or to permit tilting of the backrest relative to the seat. In chairs having a backrest pivotally attached to a seat in a conventional manner, the movement of the backrest relative to the seat can create shear forces which act on the legs and back of the user, and which can also create an uncomfortable pulling of the user's shirt, commonly called "shirt-pull."

To enhance the user's comfort and to promote ergonomically healthy seating, synchro-tilt chairs provide for the seat and backrest to tilt simultaneously, but at different rates, preferably with the back tilting at a greater rate than the seat. In general, synchro-tilt chairs are usually configured as a four-bar linkage or as a three-bar, slide linkage. In a three-bar, slide configuration, the sliding path is typically linear. Such chairs often have a multiplicity of components and parts that can be difficult and time consuming to assemble and which require multiple fasteners or joints to connect the components.

In addition, synchro-tilt chairs normally employ compression and/or tension springs, torsion springs and/or torsion bars, or leaf springs to bias the seat and back upwardly and to counterbalance the rearward tilting of the user. Chairs using these types of springs can have various limitations associated with the type of spring used therein as explained in U.S. Patent No. 6,250,715, entitled Chair, and assigned to Herman Miller, Inc., the entire disclosure of which is hereby incorporated herein by reference. In addition, the

mechanisms used to adjust the load on the spring(s), or the load capability of the spring(s), typically are complicated, and/or require multiple, excessive rotations of a knob or other grippable member to obtain the desired setting.

It is also desirable to provide a chair that can be adjusted to
5 accommodate the various needs and sizes of the user. For example, it is often desirable to provide a chair having adjustable armrests and an adjustable seat depth. For example, armrests can be provided with vertical adjustment capabilities, lateral adjustment capabilities and pivotable adjustment capabilities about a vertical axis. Often, however, armrests fail to provide
10 such capabilities in combination, and/or employ complex, moving parts and assemblies that can be expensive to manufacture and assemble and difficult to use. Moreover, armrests having vertical adjustment capabilities often employ a support member that extends vertically down along the side of the chair, where the armrest or support member can interfere with the user's legs and
15 other objects as the user moves about in the chair. In addition, the range of adjustment is typically limited to the length of the support member. However, the longer the support member, or the further it extends below the seating surface, the more likely it is to increase the foot print of the chair and interfere with the mobility of the chair.

20 Chairs with adjustable seat depths often employ devices and mechanisms to shift the entire seat in a forward and rearward direction relative to the backrest. Therefore, such chairs must provide for structure to allow the seat to move relative to the backrest while at the same time bearing the load of the seat and user. Moreover, such chairs typically must employ an extra
25 support member which allows the seat to move thereon, for example, when the seat or support member are integrated into the linkage assembly.

Typically, backrests having a resilient and/or flexible material, whether a fabric, elastic membrane or plastic mat, are often supported by a peripheral frame, which surrounds the material. Such construction, however, does not
30 ordinarily permit flexing of the material at the periphery of the backrest, or allow for torsional movement of the backrest. In addition, even in those

chairs that employ a resilient material, the material often has uniform mechanical and physical properties across the entire portion of the material.

Finally, as disclosed for example in U.S. Patent No. 5,873,634 to Heidmann et al., it is known to connect different seating arrangements to a control housing. However, Heidmann discloses connecting different seating arrangements to a tilt control housing and back support at common connection points. Accordingly, the overall kinematics of the chair cannot be altered or varied, but rather are predetermined by the common connection points. In such a device, only localized adjustments within each seating arrangement can be varied between the different seating arrangements.

SUMMARY

The present inventions are defined by the claims, and nothing in this section should be read as a limitation on those claims. Rather, by way of general introduction and briefly stated, various preferred embodiments are described that relate to a tiltable chair having a flexible back, adjustable armrests, an adjustable seat depth, various control mechanisms and linkage assemblies, and methods for the use of the various preferred aspects.

For example and without limitation, in one aspect, the preferred embodiments relate to an adjustable armrest, and the method for the use thereof. In one preferred embodiment, an armrest assembly for a seating structure includes a support member comprising an upwardly extending curved spine portion having a first defined curvature and a stem slidably disposed on the support member and comprising a curved portion having a second defined curvature corresponding to and mating with the first curvature of the spine portion. An armrest is preferably supported by the stem. A latch mechanism is moveable between at least an engaged position and a disengaged position, wherein the latch mechanism engages at least one of the stem and the support member to prevent movement therebetween when in the engaged position. The stem is moveable relative to the support member when the latch mechanism is in the disengaged position.

In another aspect, one preferred embodiment of the armrest assembly includes a support member, a stem slidably disposed on the support member, an armrest supported by the stem, a latch mechanism and an index member. The latch mechanism is moveable between at least an engaged position and a disengaged position. The latch mechanism engages at least one of the stem and the support member to prevent movement therebetween when in the engaged position. The stem is moveable relative to the support member when the latch mechanism is in the disengaged position. The index member selectively engages at least one of the support member and the stem when the latch mechanism is in the disengaged position as the stem is moved relative to the support member.

In yet another aspect, in one preferred embodiment, an armrest assembly comprises a platform and an armrest support moveably supported on the platform. The armrest support is moveable between at least a first position and a second position. A linear gear is disposed on one of the platform and the armrest support and extends in a substantially horizontal direction. A pinion gear is rotatably mounted on the other of the platform and the armrest support about a substantially vertical rotation axis. The pinion gear meshes with the linear gear as the armrest support is moved relative to the platform between at least the first and second positions.

In one preferred embodiment, the armrest assembly includes a pair of pinion gears meshing with each other and a pair of linear gears. Also in one preferred embodiment, one of the platform and the armrest support includes a guide member that moves in a track formed in the other thereof as the armrest support is moved relative to the platform. In one preferred embodiment, first and second guide members move in first and second tracks.

Various methods of using the various preferred embodiments of the armrest assemblies are also provided.

In another aspect, one preferred embodiment of a seating structure includes a primary seat support having a rear portion and a front portion and an auxiliary seat support having a rear portion and a front portion. The rear

portion of the auxiliary seat support is connected to the front portion of the primary seat support. At least a portion of the auxiliary seat support is flexible, wherein the front portion of the auxiliary seat support is moveable between at least a first and second position relative to the rear portion of the auxiliary seat support as the flexible portion of the auxiliary seat support is flexed.

In one preferred embodiment, the seating structure includes a linkage assembly connecting the front portion of the auxiliary seat support and one of a housing, which supports the primary seat support, and the primary seat support. In one preferred embodiment, the linkage assembly includes first and second links.

In one preferred embodiment, the seating structure further includes a lock device releasably connected between the auxiliary seat support and one of the housing and primary seat support.

In one preferred embodiment, the seating structure comprises a seat support comprising a forward portion, a rear portion and opposite, laterally spaced sides. At least the forward portion is bendable about a substantially horizontal and laterally extending axis between at least a first and second position, wherein the forward portion has a greater curvature when in the second position compared with the first position. A lock device is moveable between at least an engaged position and a disengaged position, wherein the lock device maintains the seat support in at least one of the first and second positions when in the engaged position, and wherein the seat support is bendable between at least the first and second positions when the lock device is in the disengaged position.

Various methods for adjusting the depth of the seat, or the curvature of the front portion thereof, are also provided.

In another aspect, one preferred embodiment of a backrest for a seat structure comprises a frame member and a compliant, resilient back member having a top, a bottom and opposite sides. The back member is mounted to the frame member. The back member includes a lumbar region, a thoracic

region disposed above the lumbar region, and a lower region disposed below the lumbar region. The lumbar region comprises a first array of openings formed therethrough, with the first array comprising a first plurality of staggered, elongated openings that are elongated in a direction from the top to the bottom of the back member. The thoracic region comprises a second array of openings formed therethrough, with the second array comprising a second plurality of staggered, elongated openings, which are elongated in a direction from the top to the bottom of the back member. The first plurality of openings has a greater elongation on average than the second plurality of openings.

10 In another preferred embodiment, a backrest for a seat structure includes a frame member comprising an upper support member and a lower support member spaced from the upper support member, with the upper support member having opposite shoulder portions. A fabric member having a front, body-supporting surface and a rear surface comprises at least one pocket that is received on the opposite shoulder portions. The fabric member is connected to the lower support member and extends in tension between the upper and lower support members. The fabric member comprises a central thoracic region that is free of contact on the rear surface thereof.

20 In another aspect, one preferred embodiment of a chair comprises a housing comprising a track having a curvilinear support surface formed within a vertical plane. A back support is pivotally connected to the housing about a first horizontal axis, and a seat support is pivotally connected to the back support about a second horizontal axis and is moveably supported on the support surface of the track.

25 In yet another aspect, the chair comprises a housing, a seat support supported by the housing, and at least one leaf spring comprising a first end supported by the housing and a second end biasing the seat support in an upward direction, wherein the at least one leaf spring flexes within a substantially vertical first plane. A fulcrum member is moveably supported by the housing and has a support surface engaging the at least one leaf spring between the first and second ends. The support surface is preferably not

symmetrical about any laterally extending second vertical plane oriented substantially perpendicular to the first plane.

In yet another aspect, one preferred embodiment of a chair includes a fulcrum member having a curvilinear support surface engaging at least one leaf spring between a first and second end. Preferably, a tangent of any point along the support surface of the fulcrum slopes rearwardly and downwardly.

In yet another aspect, one preferred embodiment of a seating structure includes a linkage assembly comprising a first and second link pivotally connected to a housing about a first pivot axis. The first link is pivotally and slidably connected to a fulcrum at a second pivot axis spaced from the first pivot axis and the second link is pivotally and slidably connected to the fulcrum at a third pivot axis spaced from the first and second pivot axes. In one preferred embodiment, an actuator member pivotally engages the first and second links at pivot axes spaced from the first, second and third pivot axes. In various preferred embodiments, various tracks are formed in one of the links and the fulcrum member, the actuator member and various brackets. Guide members are formed on the other of the links and the fulcrum member, the actuator member and various brackets. In one preferred embodiment, certain of the tracks, preferably formed in the brackets, are curved.

In yet another aspect, one preferred embodiment of a seating structure includes a housing and a support member pivotally mounted to the housing. A tilt limiter member is moveably mounted to one of the housing and the support member, and a stop member is connected to the other of the support member and the housing. An actuator mechanism is coupled to one of the housing and the support member and includes a spring having a first and second arm, a drive link and a follower link. The drive link is pivotally mounted to one of the housing and the support member about a first axis and engages the first arm of the spring at a first location spaced from the first axis. The follower link is pivotally mounted to one of the housing and the support member about a second axis spaced from the first axis and engages the second arm of the

spring at a second location spaced from the second axis. The follower link is pivotally coupled to the tilt limiter member.

In one preferred embodiment, the stop member has a downwardly facing stop surface and the tilt limiter has an upwardly facing bearing surface engaging the stop surface. In an alternative preferred embodiment, the stop member has at least one upwardly facing stop surface and the tilt limiter has a downwardly facing bearing surface engaging the at least one stop surface. In yet another preferred embodiment, the tilt limiter member comprises a first and second tilt limiter member moveably mounted to one of the housing and the support member, and the stop member comprises a first and second stop member connected to the other of the support member and the housing. The actuator mechanism comprises first and second springs each having a first and second arm, spaced apart first and second drive links each pivotally mounted to one of the housing and the support member about the first axis, and first and second follower links.

In another aspect, in one preferred embodiment, a kit for assembling a seating structure includes a tilt housing having a plurality of connector arrangements comprising at least a first and second connector arrangement, a first seating arrangement having a first mounting arrangement configured to be connected to the first connector arrangement, and a second seating arrangement having a second mounting arrangement configured to be connected to the second connector arrangement. In another aspect, a method of assembling a seating structure includes providing a tilt housing having a plurality of connector arrangements comprising at least a first and second connector arrangement, selecting one of a first and second seating arrangements, wherein the first seating arrangement includes a first mounting arrangement configured to be connected to the first connector arrangement, and wherein the second seating arrangement includes a second mounting arrangement configured to be connected to the second connector arrangement, and connecting the selected one of the first and second seating arrangements to the tilt housing.

In yet another aspect, the seating structure includes a tilt housing, a seating structure pivotally connected to the tilt housing and a biasing member applying a biasing force to the seating structure as the seating structure is pivoted relative to the tilt housing. An adjustment mechanism is operably
5 connected to the biasing member and is operable to adjust the biasing force applied by the biasing member. The adjustment mechanism includes a gear housing removably disposed in the tilt housing. The gear housing is rotatably connected to the tilt housing about an axis. The gear housing includes first and second locator portions abutting the tilt housing. The first locator portion
10 prevents the gear housing from moving relative to the tilt housing in a first direction. The second locator portion prevents the gear housing from rotating relative to the tilt housing about the axis.

In another aspect, a support member for a seating structure component includes a first support member having a first plurality of spaced apart fins and
15 a second support member having a second plurality of spaced apart fins. The first support member is secured to the second support member with the first plurality of fins nested between the second plurality of fins. In one preferred embodiment, a back member is connected to at least one of the first and second support members.

In yet another aspect, a control device for an adjustable seating
20 structure includes a first adjustment control positioned in an orientation approximating a seating member. The first adjustment control is moveable about a horizontal axis. A second adjustment control is positioned adjacent the first adjustment control in an orientation approximating a backrest
25 member. The second adjustment control is moveable about the horizontal axis. The first adjustment control and the second adjustment control, in combination, generally resemble a seating structure. In one preferred embodiment, the first adjustment control and the second adjustment control are coupled to a forward tilt limiter and a rear tilt limiter respectively.

30 Various methods of assembling a tilt chair, and of using and adjusting a tilt chair having an adjustable fulcrum member and various tilt limiters also

are provided. For example, various preferred embodiments of the seating structure include inserting an insert member into a pivot tube to deform or expand the tube so as to fixedly secure the tube to a wall or other structure. In addition, other preferred embodiments include inserting a pivot member
5 having a key surface through a mouth of a bearing member and rotating the pivot member so as to locate the pivot member in the bearing member. In yet another preferred embodiment, a plurality of tilt housing components are disposed on an annular bushing and an end of the bushing is deformed to capture the components on the bushing.

10 The various preferred embodiments provide significant advantages over other tilt chairs and seating structures, including chairs and seating structures having adjustable armrests, backrests, seats and tilt controls. For example, in one preferred embodiment, an improved tilt control mechanism is provided. The resistive force of the leaf springs is easily and simply adjusted
15 by moving the fulcrum member longitudinally within the housing. In one embodiment, a removable gear housing can be quickly easily installed without fasteners and the like for adjusting the fulcrum member. In another preferred embodiment, the configuration of the linkage assembly allows the user to quickly move the fulcrum over a wide range of longitudinal positions with
20 minimal turns of the drive shaft. In addition, the unique shape of the support surface on the fulcrum provides a variable balancing spring rate, which results from an increasing amount of contact between the support surface and the spring as the user tilts rearwardly.

The three bar slide mechanism also provides several advantages. For
25 example, the linkage provides for a synchrotilt chair wherein the back tilts at a greater rate than the seat, but avoids the use of a fourth bar, which can add to the complexity and manufacturing costs of the chair. Indeed, the overall design is greatly simplified by forming "bars" out of the housing, seat support and back support. Additionally, the use of a slide member allows for the
30 assembly to be made in a more compact and aesthetically pleasing form.

The modular tilt housing also provides significant advantages. In particular, different seating arrangements can be mounted or connected to a single tilt housing with different connection configurations, thereby providing seating structures with different kinematics and appearances. At the same time, a single modular tilt housing provides significant savings and reductions in inventories. Indeed, completely different chairs operating on completely different kinematic principles can be assembled from a single tilt housing. The modular tilt housing can also be configured to support different actuation mechanisms at various mounting locations. The back support can also be configured as a modular member, wherein it is adapted to support and be coupled with different seat configurations at different connector locations, thereby providing additional flexibility in assembling different seating structures with different kinematics and appearances.

The preferred embodiments of the armrests also provide advantages. For example, the curved spine and stem provide maximum vertical adjustment, while maintaining a relatively open area beneath the seat. In addition, the height of the armrests can be adjusted quickly and easily, with the indexing member providing an audible signal to the user about the various available positions. Moreover the armrests can be laterally and pivotally adjusted quickly and easily, while the mechanism, with the interaction of gears, maintains a firm, robust feel to the user.

The preferred embodiments of the adjustable seat also provide advantages. For example, the depth of the seat can be adjusted without having to move the entire seat, or in other words, while maintaining a rear portion of the seat in the same position. Such construction avoids the need for additional support members. In addition, the adjustment mechanism can be easily grasped and manipulated the user to adjust the depth of the seat. Moreover the front portion of the seat, when bent downwardly, provides transitional support for the user's legs when sitting down or standing up from the chair.

The preferred embodiments of the tilt limiter controls also provide advantages. For example, in one embodiment, both of the forward and

rearward tilt limiters are spring loaded, such that the position of each can be adjusted at any time, but with the limiter being moved only when the load is relieved from the chair. In another embodiment, the rear tilt limiter is supported by the tilt housing, which carries the load applied by the back support against the tilt limiter, which increases the overall robustness of the limiter without having to unnecessarily fortify the pivot connections of the tilt limiter. Moreover, an indexing feature provides the user with a distinct indication that an available setting has been achieved.

In addition, the orientation and/or shape of the adjustment controls provides indicia to the user about the functionality of the device or mechanism coupled to the control. For example, a first and second adjustment control can be oriented to generally resemble a seating structure, with each of the adjustment controls being coupled to device or mechanism that controls the adjustment of the corresponding seating structure member, for example the seat or backrest.

The support member for a seating structure component having a first support member with a first plurality of spaced apart fins and a second support member with a second plurality of spaced apart fins also provides significant advantages. In particular, the first and second support members in combination provide substantial bending strength, yet provide torsional flexibility by way of the fins moving relative to each other. In this way, the support member, when used for example as a backrest spine, provides resistance to bending, but allows the backrest to flex torsionally about a longitudinal axis. In addition, the first and second support members can be configured to provide for the coupling of various back members and adjustment devices. For example, the first and second support members can be configured to define a gap therebetween to allow for an engagement member to be inserted therethrough wherein it can engage one of the first and second support members. In addition, the support members can be easily and cheaply manufactured by various molding processes.

The present invention, together with further objects and advantages, will be best understood by reference to the following detailed description taken in conjunction with the accompanying drawings.

BRIEF DESCRIPTION OF THE DRAWINGS

5 FIGURE 1 is a perspective view of an armrest assembly.

FIGURE 2 is an exploded perspective view of one embodiment of an armrest assembly.

FIGURE 3 is an enlarged partial cross-sectional view of a lever and index member engaging a rack.

10 FIGURE 4 is an enlarged partial side view of the lever and index member of Figure 3 engaging a rack.

FIGURE 5 is a perspective view of an index member.

FIGURE 6 is an exploded top perspective view of one embodiment of an upper portion of armrest assembly.

15 FIGURE 7 is a bottom view of one embodiment of an armrest support.

FIGURE 8 is an exploded bottom perspective view one embodiment of a portion of an upper portion of an armrest assembly.

FIGURE 9 is an enlarged partial top perspective view of one embodiment of a portion of an upper portion of an armrest assembly.

20 FIGURE 10 is an enlarged partial top perspective view of another embodiment of a portion of an upper portion of an armrest assembly.

FIGURE 11 is a perspective view of one preferred embodiment of a chair.

FIGURE 12 is a front view of the chair shown in FIG. 11.

25 FIGURE 13 is a right side view of the chair shown in FIG. 11, with the left side view being a mirror image thereof.

FIGURE 14 is a top view of the chair shown in FIG. 11.

FIGURE 15 is a partial enlarged front view of the seat connected to the armrest.

FIGURE 16 is a cross-sectional view of the armrest and seat taken along line 16-16 of Figure 15.

FIGURE 17 is a top perspective view of one embodiment of a seat support assembly.

5 FIGURE 18 is a bottom perspective view of the seat support assembly shown in Figure 17.

FIGURE 19 is an exploded bottom perspective view of the seat support assembly shown in Figure 17.

10 FIGURE 20 is an exploded top perspective view of an alternative embodiment of a seat support assembly.

FIGURE 21 is a cross-sectional view of a portion of a seat support member.

FIGURE 22 is a cross-sectional view of a carrier member.

FIGURE 23 is rear perspective view of a backrest.

15 FIGURE 24 is a front view of a backrest frame member.

FIGURE 25 is a partial section cut and side view of the backrest frame member taken along line 25-25 of Figure 24.

FIGURE 26 is an enlarged partial rear view of the backrest frame member.

20 FIGURE 27 is a rear perspective view of a lumbar support.

FIGURE 28 is a front view of a back member.

FIGURE 29 is a cross-sectional view of the back member taken along line 29-29 of Figure 28.

25 FIGURE 30 is a cross-sectional view of the back member taken along line 30-30 of Figure 28.

FIGURE 31 is a perspective view of the back member.

FIGURE 32 is a side view of the back member.

FIGURE 33 is a rear perspective view of an alternative embodiment of a backrest.

30 FIGURE 34 is a rear view of a back member.

FIGURE 35 is a side view of the back member shown in Figure 34.

FIGURE 36 is an alternative embodiment of a backrest frame member.

FIGURE 37 is a side view of the backrest frame member shown in Figure 36.

5 FIGURE 38 is a top view of the backrest frame member shown in Figure 36.

FIGURE 39 is a partial cross-sectional view taken along line 39-39 in Figure 23.

FIGURE 40 is a partial cross-sectional view of the back support connected to the tilt control housing.

10 FIGURE 41 is a partial cross-sectional view of the seat supported by the tilt control housing track.

FIGURE 42 is a partial cross-sectional view of a support column in an elevated and compressed position.

FIGURE 43 is an exploded perspective view of the tilt assembly.

15 FIGURE 44 is a top view of a fulcrum member.

FIGURE 45 is a side view of the fulcrum member.

FIGURE 46 is an alternative exploded view of the tilt assembly.

FIGURE 47 is another alternative exploded view of the tilt assembly.

20 FIGURE 48 is a perspective view of the actuator mechanism and linkage assembly for the fulcrum member.

FIGURE 49 is an exploded view of the linkage assembly for the fulcrum member.

FIGURE 50 is cross-sectional view of the linkage assembly for the fulcrum member.

25 FIGURE 51 is an exploded view of the tilt control housing and stop members.

FIGURE 52 is an exploded perspective view of a tilt limiter mechanism.

30 FIGURE 53 is a perspective view of the back support and tilt limiter assembly.

FIGURE 54 is an exploded perspective view of the back support and tilt limiter assembly.

FIGURE 55 is a partial cross-sectional view of the back support secured in a forward tilt position.

5 FIGURE 56 is a partial cross-sectional view of the back support secured in an at-rest neutral position.

FIGURE 57 is a partial cross-sectional view of a portion of the tilt limiter mechanism.

10 FIGURE 58 is a perspective view of one embodiment of a tilt assembly and back support with the springs in a disengaged position.

FIGURE 59 is a side view of one embodiment of a tilt assembly and back support with the springs in a disengaged position.

FIGURE 60 is an exploded perspective view of one embodiment of a tilt assembly and back support.

15 FIGURE 61 is a front view of one embodiment of the fulcrum member.

FIGURE 62 is a side view of the fulcrum member shown in Figure 61.

FIGURE 63 is a side view of a rear tilt limiter.

FIGURE 64 is a partial cross-sectional view of a tilt limiter drive member.

20 FIGURE 65 is a perspective view of a forward tilt limiter.

FIGURE 66 is a perspective view of an outer tilt housing member.

FIGURE 67 is a perspective view of an inner tilt housing member.

FIGURE 68 is a perspective view of a tilt housing guide member.

25 FIGURE 69 is an exploded perspective view of an actuation mechanism.

FIGURE 70 is a side view of a gear housing.

FIGURE 71 is a cross-sectional view of one embodiment of the connection between the seat and armrest.

30 FIGURE 72 is an exploded perspective view of a lumbar support assembly.

FIGURE 73 is an exploded perspective view of a backrest assembly.

FIGURE 74 is front view of a back member.

FIGURE 75 is a partial cross-sectional view of a back member taken along line 75-75 of Figure 74.

5 FIGURE 76 is a partial cross-sectional view of a back member taken along line 76-76 of Figure 74.

FIGURE 77 is a partial cross-sectional view of a portion of a back member.

FIGURE 78 is a cross sectional view a back support member.

FIGURE 79 is a partial rear view of a lumbar support member.

10 FIGURE 80 is a partial cross-sectional view of the seat supported by the tilt control housing.

FIGURE 81 is an exploded perspective view of a seat adjustment mechanism.

15 FIGURE 82 is an exploded perspective view of one embodiment of a seat support assembly.

FIGURE 83 is a partial exploded perspective view of one embodiment of an armrest assembly.

FIGURE 84 is an exploded perspective view of one embodiment of an upper portion of an armrest assembly.

20 FIGURE 85 is a cross sectional view of one embodiment of an armrest assembly.

FIGURE 86 is a cross-sectional view of one embodiment of an armrest assembly.

FIGURE 87 is front view of an armrest sleeve member.

25 FIGURE 88 is an exploded perspective view of a backrest assembly.

FIGURE 89 is a side view of a back support member.

FIGURE 90 is a cross-sectional view of the back support member taken along line 90-90 of Figure 89.

FIGURE 91 is a front view of a back support member.

30 FIGURE 92 is a cross-sectional view of the back support member taken along line 92-92 of Figure 91.

FIGURE 93 is a side view of a back support fulcrum member.

FIGURE 94 is a partial top view of the back support fulcrum member shown in Figure 93.

FIGURE 95 is front view of a back member with a cut-out therein.

5 FIGURE 96 is a front view of the back member shown in Figure 95 with a hinge portion overmolded thereon.

FIGURE 97 is a partial cross-sectional view of the back member taken along line 97-97 of Figure 96.

10 DETAILED DESCRIPTION OF THE PRESENTLY PREFERRED EMBODIMENTS

General:

The terms “longitudinal” and “lateral” as used herein are intended to indicate the direction of the chair from front to back and from side to side, respectively. Similarly, the terms “front”, “side”, “back”, “forwardly”,
15 “rearwardly”, “upwardly” and “downwardly” as used herein are intended to indicate the various directions and portions of the chair as normally understood when viewed from the perspective of a user sitting in the chair.

Referring to the drawings, FIGS. 11 and 12 show a preferred embodiment of the chair having tilt control housing **10**, seat **200**, back support
20 **304** and back **302**. It should be understood that the term “housing” generally refers to any support member that supports another member, and includes, but is not limited to a structure that provides an enclosure. A pair of armrests **400** extend from, move with and define a portion of the back support **304**. Preferably, the back support **304** is pivotally mounted to the control
25 housing **10**, and the seat **200** is pivotally mounted to the back support **304** via a pivot axis located on the armrests **400** at the approximate hip joint of the user above the seating surface. The seat **200** is further slideably and pivotally supported by the tilt control housing.

It should be understood that the terms “mounted,” “connected”,
30 “coupled,” “supported by,” and variations thereof, refer to two or more members or components that are joined, engaged or abutted, whether directly

or indirectly, for example, by way of another component or member, and further that the two or more members, or intervening member(s) can be joined by being integrally formed, or by way of various fastening devices, including for example and without limitation, mechanical fasteners, adhesives, welding, press fit, bent-over tab members, etc.

In operation, the housing **10**, seat **200** and back support **304**, with the armrests **400**, form a three-bar linkage with a slide. It should be understood that the term "slide," as used herein, refers to two members that translate relative to each other, whether by direct sliding or by rolling. Preferably, the pivot axis formed between the seat **200** and housing **10** is positioned forwardly of the pivot axis formed between the back support **304** and housing **10**, which axis is positioned forwardly of the pivot axis formed between the back support **304** and the seat **200**, such that the backrest **300** and back support **304** tilt rearwardly at a greater rate and angle than does the seat **200**. Preferably, the back tilts relative to the seat at about a preferred 2:1 ratio, such that the shirt-tail pull effect is avoided. Of course, other synchrotilt ratios are contemplated and suitable. In addition, the configuration of the back support, the seat and the various positions of the pivot axes, allow the seat to pivot about the ankles of a user seated in the chair, preferably without the front edge of the seat rising as the user tilts rearwardly. The three-bar linkage provides a simple and compact mechanism that avoids the use of additional links. Additionally, by forming the linkage assembly from the seat, back support and housing, complex and expensive links and load bearing parts are avoided.

An adjustable support column **12**, preferably pneumatic and shown in FIG. 42, is mounted to a rear portion of the housing **10** at opening **14**. A top portion of the column **12**, having a side-actuated lever **16**, extends into the housing, and preferably is fitted inside a bushing **50** that captures and connects the various tilt control housing components. A cable **18** is connected to the lever, and can be moved within a guide to actuate the lever. An opposite end of the cable is engaged by an arm on a pivot tube **22**, shown in FIGS. 43 and 60. A grippable handle **24**, or paddle, extends from the tube. In operation, the

user rotates the paddle **24** and thereby moves the cable **18** to actuate the lever **16**, which in turn allows the support column **10** to extend in response to a gas spring contained therein, or to collapse in response to the weight of the user being applied to the seat. One suitable support column is available from
5 Samhongs Co. Ltd., otherwise referred to as SHS.

Referring to the embodiment of the adjust mechanism for the support column shown in FIGS. 60 and 69, the tube **22** (which is rotated 180 degrees in FIG. 60) has a flared end **802**. The end **802** of the tube is configured to matingly engage a first end **806** of a pivot member **804**. The pivot member
10 **804** has a second end **808** that is rotatably received on a hub **812** of gear **810**. A clip **819** secures the end **808** to the hub **812**. The pivot member includes an arm **814** that extends perpendicular from a tube portion of the pivot member. The arm includes an end portion that engages end of the cable **18**. A spring **816** biases the pivot member to a return position. In operation, the user moves
15 the paddle **24**, which rotates the tube **23** and the pivot member **804**. As the arm **814** of the pivot member is moved, it moves the cable **18** relative to the guide, and thereby actuates the support column.

Referring to FIGS. 11 and 12, a base **26**, preferably a five arm base with casters, is mounted to the bottom of the support column **12** in a
20 conventional manner, although one of skill in the art would understand that other support columns and bases can be used to support the housing, including fixed height support columns and non-rolling bases, including for example a base configured with glides.

With the chair being generally described, the various features of the
25 armrests, the seat, the backrest and the tilt control assembly, along with various controls therefore, will be described in more detail below.

Armrest Assembly:

Referring to FIGS. 1, 2 and 58-60, one preferred embodiment of an
30 armrest assembly **400** is shown as having a lower portion **402** and an upper portion **404**. The lower portion **402** includes a lower support member having

a laterally extending, and substantially horizontal portion **406** and an upper spine portion **408** extending upwardly and outwardly from the horizontal portion **406**. The spine portion **408** is preferably curved and defines a curvature substantially in a plane substantially parallel to the torso of the user.

5 In one preferred embodiment, shown in FIGS. 1 and 2, the spine **408** has a lower curved portion **410** and an upper curved portion **412**, with the upper curved portion having a smaller cross-section, which is preferably rectangular, than the lower curved portion. Preferably, the lower portion is made of 380 cast aluminum or any other suitably strong material, such as metal, including steel, or fiberglass, plastic, composites and other similar materials.

10 As shown in FIGS. 1, 2, 71 and 87, a pair of sleeve members **414** are disposed on the upper curved portion **412** and define a cross-section substantially the same as the lower curved portion. Referring to the embodiment of FIG. 58-59 and 87, notches **413** locate the sleeve members **414** on the curved portion **412** by way of a locator tab **415**. It should be understood that the sleeve members can be made as a single member that is 15 disposed over the end of the spine **408**.

As best shown in FIGS. 13 and 58-60, the ends of the lower horizontal portions **406** extend through openings **306** in opposite sides of a back support **304** and are secured, preferably fixedly (for example by welding), one 20 to the other and/or to the back support member. Alternatively, the lower portions can be moveably secured to and supported by the back support, so as to allow them to move inwardly and outwardly in the lateral direction. In either embodiment, the lower portions **402** of the armrests form part of the back support **304**. The lower portions of the armrests can be configured in any 25 number of shapes, and provide different mounting pivot locations for the seat. For example, the shape and size of the armrest can be varied to provide different mounting arrangements and locations for the seat. Alternatively, a single modular armrest can be configured with a plurality (meaning two or 30 more) mounting arrangements on the same member. In the preferred embodiment, the spine portion of the back support **304** can be made as a

modular element, with the overall configuration of the back support being quickly and easily reconfigured simply by providing a different lower portion of the armrest.

Referring to the embodiments shown in FIGS. 1 and 71, an opening **416** is formed through the upper curved portion **404** and is shaped to receive a pivot member **418, 818**, which secures the seat **200** to the spine **408**, as shown in FIGS. 15 and 71.

Referring to FIGS. 2 and 87, the sleeve members **414** are preferably U-shaped, having an inner and outer wall **420, 422** joined by an end wall **424**. In the embodiment shown in FIG. 2, a cut-out **426** in the inner wall is shaped to receive the pivot member **418** once the sleeve members **414** are installed on the upper portion of the spine. Referring to the embodiment of FIG. 87, the inner wall is formed from a plurality of flexible tab members. Some of the tab members **417** have an inner surface that is raised above the surface of other of the tab members **419**. The tab members are biased against the curved portion **412** and take up the tolerances.

Referring to FIGS. 2-4, 71 and 87, a rack **428** is formed on the outer wall **422**. The term "rack" as used herein broadly means a series of engageable elements, including for example and without limitation, teeth, grooves, slots, openings, protuberances, etc. Referring to FIGS. 3 and 4, the profile of the rack **428** includes a plurality of curved engagement portions **430**, and a plurality of teeth portions **432** interspaced between the curved portions, with a plurality of sloping recesses **434** and slots **436** defining the profile of the rack, which provides unique positions for positive latch engagement.

Referring to FIGS. 71 and 87, the profile includes a plurality of first and second recesses **435, 437**. Preferably, the profile extends laterally across the entirety of the face of the outer wall **422**. In one preferred embodiment, the sleeves are made of acetal.

Referring to FIG. 2 and 87, one of the sleeve members **414** (female) has a plurality of recesses **438** formed in the end of the free edge **442** of the inner and outer walls, while the other sleeve (male) has a plurality of

protuberances **440** extending from the end of the free edge **442**, with the protuberances **440** shaped to be received in the recesses **438** when the free edges **442** are abutted as the sleeve members **414** are installed on the spine **408**. In this way, the sleeve members **414** are prevented from moving
5 longitudinally relative to one another along the spine.

Referring to FIGS. 3 and 4, in one preferred embodiment, the sleeve members **414** each include a flange **444** formed along the free edge of the outer wall, with the recesses or protuberances formed in the face of the flange. The outer edge **446** of the flange includes a plurality of indexing notches **448**
10 that form a rack **450** and are spaced longitudinally along the flange approximately the same distance as the engagement portions **430** of the rack **428**.

Referring to FIG. 2, the sleeve members **414** each include a plurality, meaning two or more, bearing pads **452** on the end walls and inner walls that extend outwardly from the wall and slidably engage the curved upper
15 members **404**. Alternatively, the sleeves can include roller bearings that engage the curved member.

In one preferred embodiment, the radius of the inner surface of the lower curved portion **410** and of the inner wall of the sleeve members **414** is
20 approximately 13.78 inches, while the radius of the outer surface of the lower curved portion **410** and of the outer wall of the sleeve member is approximately 14.68 inches. Of course, it should be understood that other radii would also work, and that preferred radius is between about 12 and about 16 inches.

Referring to FIGS. 1, 2, 15 and 83, the upper portion **404** forms a stem **454** that includes a housing **456** forming a cavity **458**, which is shaped to receive the curved spine **408** and sleeve member **418**. The cavity **458** is defined by an inner and outer wall **460**, **462**, and a pair of end walls **464**. The stem **454** has approximately the same curvature as the spine **408**, such that it
25 can slide therealong without binding. For example, in one preferred embodiment, the radius of the inner surface of the outer wall **462** of the cavity
30

is approximately 14.73 inches, and preferably between about 12 and 16 inches. An elongated opening **416**, or slot, is formed in the inner wall **460** and is shaped to receive the pivot member **418**, such that the stem **454** can be moved relative to the spine **408** without interfering with the pivot member. An
5 opening **466** is also formed in the outer wall **462** so as to expose the racks **428** of the sleeve members disposed on the spine.

Referring to FIGS. 2-4, 83 and 85, a latch mechanism **468** is pivotally secured to the outer wall **462** of the stem and is received in the opening **466**. Referring to the embodiment of FIGS. 2-4, the latch mechanism **468** includes
10 a lever member **470** and an index member **472** pivotally mounted to the stem **454** with a pivot pin **474** at a substantially horizontal pivot axis. The index member **472** is nested or pocketed in the lever member **470**, as shown in FIGS. 3 and 4. It should be understood that the lever and index member can be integrally formed as a one-piece member. In the embodiment of FIG. 83,
15 the index member is omitted. Referring to FIGS. 2 and 83, the lever member **470** includes a grippable handle portion **476** that extends downwardly from the pivot axis and is nested in a recess **478** formed in the stem. The recess **478** extends below the end of the lever so as to allow the user to insert a finger and grip or lift the lever member **470** from an engaged position to move
20 it to a disengaged position. Referring to FIGS. 3, and 4, the lever member **470** further includes an engagement portion **480** that extends inwardly and engages one of the curved engagement portions **430** of the rack when the lever is in the engaged position. The engagement portion has a curved surface that translates relative to the sloping surface of the recess **434** as the lever is moved between
25 the engaged and disengaged positions. The lever has a cavity **482** shaped to receive the index member **472** and includes a pair of shoulders **484** that mate with and abut corresponding shoulders **486** on the index member, such that the index member is pivoted about the pivot axis **474** with the lever member.

Referring to FIGS. 83, 85 and 86, a primary engagement portion **481** is
30 shaped to be received in the recess **435**, while a secondary engagement portion **483** is received in the recess **437**. The lever further includes a stop portion

485 that engages an upper edge 487 of the stem when the lever is in the unlatched position. A spring 491 is disposed about the pivot pin 474 and is engaged between the lever 470 and the stem 454 so as to bias the lever to an unlatched position. The lever 470 acts as an over-center toggle, such that it
5 snaps into the latched position when it is moved into engagement with the rack. A portion of the lever and/or a portion of a spring can index with the rack as the upper arm portion is moved to the desired position.

Preferably, the lever 470, sleeve members 414 and stem 454 are made of a SG95 or SG200 Urethane, 79-80D Durameter. Alternatively, those
10 components can be made from various plastics, metals, elastomers, composites, fiberglass, etc.

Referring to the embodiment of FIGS. 2 and 3, the index member includes a bumper portion 488 having a concave surface shaped to engage the curved portion 430 when the lever is in the engaged position. Preferably, the
15 index member 472 is made of 2140 Urethane, 55-65D Durameter, although it should be understood that it can be made of other plastics, metal, fiberglass, rubbers, composites and the like, or combinations thereof. The index member 472 further includes a flexible, resilient indexing finger 490 that extends outwardly from the index member. The indexing finger 490 is
20 disengaged from the rack 450 when the lever is in the engaged position. As the lever 470 is moved to the disengaged position, the indexing finger 490 is pivoted into abutment with the flange 444 of the sleeve, and selectively engages the notches 448 of the rack 450 as the stem 454 is moved relative to the spine 408. The indexing finger 490 will selectively engage one of the
25 notches 448 as the lever is moved from the engaged to the disengaged position and before the stem is moved relative to the spine. As the stem is moved relative to the spine, the indexing member 472 successively, selectively engages the notches 448 and provides an audible indexing sound to indicate to the user that an available vertical position has been selected. The lever 470
30 can then be pivoted from the disengaged position to the engaged position to

again secure the stem **454** to the spine **408** and prevent movement therebetween.

It should be understood that the racks could be formed on the stem, and with the lever and/or indexing members pivotally mounted to the spine.

5 Referring to FIGS. 1, 2, 6-10 and 83, the upper portion **404** of the armrest assembly provides lateral and pivotable adjustment of an armrest. Referring to FIGS. 2, 6 and 83, the upper end of the stem forms a mounting platform **492**, which has a guide member **494**, or pivot member, extending upwardly therefrom and defining a substantially vertical pivot axis **504**. The term "platform" as used herein means any support structure or surface, and includes, but is not limited to, a substantially flat, horizontal member or surface, or platelike member. In addition, a protuberance **496**, or detent extends from the mounting platform **492** at a location spaced from the guide member **494**. The detent can be spring loaded.

15 Referring to FIGS. 2, 6-10 and 84, a support platform **498** includes an opening **500** that is shaped to receive the guide member, with the platform disposed on the guide member at the opening such that the platform can pivot about the pivot axis. Referring to the embodiment of FIGS. 2 and 6-10, the platform **498** includes a plurality of recesses **502** formed on a bottom surface thereof and spaced from the opening so as to be aligned with the protuberance. The plurality of recesses **502** form an array thereof having a curvature generally centered around the pivot axis **504**.

20 In the embodiment of FIG. 84, the protuberance **496** extends through an opening **503** formed in the platform and is indexed in a slot **505** formed in a platform **506** by a pair of arms **507** that have end portions **515** that are shaped to define three openings **509**. Of course, more openings could be formed and defined by the slot and arms. A rubber or elastomeric spring **511** is disposed in a slot **513** formed opposite slot **505**. The spring **511** biases the arms **507** against the protuberance.

30 In operation of the embodiment shown in FIGS. 2 and 6-10, the platform **498** is moved or pivoted about the pivot axis **504** relative to the

mounting platform **492**, with the protuberance **496** indexing with one of the plurality of recesses **502** so as to locate the platform **498** relative to the mounting platform **492** in a plurality of pivot positions corresponding to the plurality of recesses. In the operation of the embodiment shown in FIGS. 84,
5 the platform is moved or pivoted about the pivot axis **504** relative to the mounting platform **492**, with the protuberance **496** indexing with one of the plurality of openings **509** so as to locate the platform **498** relative to the mounting platform **492** in a plurality of pivot positions corresponding to the plurality of recesses. A bearing member can be disposed on the protuberance,
10 with the bearing member indexing with the openings.

It should be understood that the location of the recesses (or openings) and protuberance can be reversed, with the protuberance extending downwardly from the platform and with the array of recesses or openings formed in the mounting platform on the top of the stem. Likewise, it should
15 be understood that an array of protuberances could be provided on one or the other of the platforms and which mate with a recess.

Referring to FIGS. 2 and 84, the first platform **498** is secured to another second platform **506**. As shown in one embodiment of FIG. 8, the platform **506** has a recess formed in a bottom portion thereof that is shaped to
20 receive the raised indentations **510** that form the array of recesses **502** on the bottom side of the platform. Referring to FIGS. 2 and 84, the platform **506** has an opening **512** formed on one end thereof that is shaped to receive the guide member **494**. A second opening **514**, **516** is formed on an opposite end of each of the platforms **506**, **498**. Referring to FIG. 2, fastener **518** extends
25 through the second openings and secures the platforms one to the other. Alternatively, a boss can be formed on the platform **498**, with the boss extending into a boss formed in platform **506** and through opening **514**. A fastener, and one or more washers, extends downwardly through the platform **506** and is engaged with the boss to secure the platforms **498** and **506** together.

30 In a first embodiment of the platform **506**, shown in FIG. 2, the platform includes a recess or channel **520** formed across an entire width

thereof. A pair of spaced apart and parallel linear gears **522**, or racks, define the opposite side walls of the channel. An armrest support **526**, shown in FIGS. 2 and 7, includes a pair of axles **528** that define a pair of spaced apart axes of rotation. A pair of pinion gears **524** are mounted to the armrest support on the axles **528** and are disposed in the channel **520**, such that each of the pinion gears mesh with each other and one of the linear gears **522** respectively.

In a second embodiment, shown in FIGS. 6, 8 and 84, the platform has only a single linear gear **522**, with an opposite wall of the channel **520** being preferably substantially smooth. The armrest support has only a single axle **528** defining an axis of rotation. A single pinion gear **524** is rotatably mounted on the axle **528** within the channel and meshes with the linear gear **522**.

In either embodiment, as shown in FIGS. 2, 6, 8 and 84, the armrest support **526** includes a pair of spaced apart and substantially parallel tracks **530**, shown as slots, formed therethrough. One of the tracks **530** receives the guide member **494** extending upwardly from the stem through the platforms **498**, **506**, while the other receives a guide member **532** formed on an upper surface of the platform **506**, and through which the fastener **518** passes to secure the platforms **498**, **506**. In operation, the user moves the armrest support **526** laterally relative to the platform **506**, such that in one preferred embodiment, the pinion gears **524** mesh with each other and with the linear gears **522**, or in another preferred embodiment, the single pinion gear **524** meshes with the single linear gear **522**, as the guide members **494**, **532** ride in the tracks **530**. The interaction between the pinion gear(s) **524** and linear gear(s) **522** provides a firm solid feel as the armrest support **526** is moved in the lateral direction and is guided by the guide members riding in the tracks. In the embodiment of FIGS. 6, 8 and 84, the platform **506** includes an additional pair of guides **534**, configured as posts, that extend upwardly therefrom and are received in a track **536** or channel formed in the armrest support **506**.

It should be understood that the various guide members and tracks could be formed in either the platform or armrest support. Likewise, the channel and linear gear(s) could be formed in the armrest support, with the pinion gear(s) secured to the platform. Also, it should be understood that the upper and lower platforms **498, 506** can be made as a single, one-piece member, with the recesses or protuberances formed on one side thereof, and with the channel and linear gear(s) formed on the other side thereof.

Referring to FIGS. 2, 9, 10 and 84, a pawl member **538** is shown as being pivotably mounted to the armrest support **526** about a pivot axis **540**. The pawl member can be secured to the pivot member **540** with a retainer member. In the embodiment of FIGS. 2 and 10, the pawl **538** includes a first arm **542** having an end portion **544** defining one or more teeth or engagement portions that are shaped to engage one or more teeth on one of the pinion gears **524**. Preferably, the pawl is pivotally mounted to a top surface of the support **526**, with the end portion **544** extending through an opening **545** in the support to engage the one or more teeth on the pinion gear(s). The pawl further includes an opening **546**, elongated or circular, formed opposite the end portion and a second arm **548** extending substantially perpendicular to the first arm. Referring to the embodiment of FIG. 10, a track **550** or slot having a radius about the pivot axis **540** is formed in an end portion of the arm **548** and is shaped to receive a post or guide **552** extending upwardly from the armrest support.

A push button **554** includes a flange portion **556** that is slideably mounted in a pair of tabs that form a track **558**. The button has an arm extending from the flange that includes a post **560** received in the opening **546** of the pawl. A spring **562** is mounted to the armrest support and biases the end portion **544** of the pawl into engagement with at least one of the teeth on at least one of the pinion gears **524**. Alternatively, or in combination therewith, a pair of springs **549** bias the push button away from the platform as they engage a pair of backstops **551**.

In the embodiment of FIGS. 9 and 84, the pivot axis is formed at the junction of the first and second arm **538, 542**, with the post **560** engaging the opening **546** or track in an end portion of the arm **548**.

5 In the operation of either embodiment, the user pushes the push button **554** inwardly as it slides within the track **558** so as to move the post member **560** laterally inward. The post member **560** rotates the pawl **538** against the force of the spring **562, 549** about the pivot axis **540** and moves the end portion **544** thereof away from the teeth of the pinion gear(s) **524** to a disengaged position. When the desired lateral location of the armrest support is reached, the user releases the button **554**, thereby allowing the spring **562, 10 549** to bias the pawl **538** to an engaged position with at least one of the pinion gear(s) **524**. In the engaged position, the pawl **538** prevents the pinion gear(s) **524** from rotating about the axis, so as to prevent the armrest support **526** from being moved in the lateral direction.

15 It should be understood that a lever or actuator other than the push button can be employed to move the pawl from the engaged to disengaged position. Likewise, it should be understood that the pawl can be moved along a linear, rather than a rotational, path between the engaged and disengaged positions.

20 Referring to FIG. 2, a fastener **564** secures the armrest support **526** and the platforms to the guide member **494** and stem **454**. In this way, the armrest support **526** pivots with the platforms **498, 506** about the guide member **494** as the armrest support is moved to the desired pivot position. A pad **566**, preferably foam, and substrate **568** are secured to the armrest support with various fasteners and/or adhesive. The pad also can include various gels or 25 other fluids and/or gases to provide a comfortable feel to the user's arm, which rests thereon. Preferably, the push button, or other actuator, is received in an opening or recess formed in the pad, and is configured with an outer contour shaped to mate with the outer contour of the pad.

30

Backrest:

Referring to FIGS. 11-13 and 23-32, a first embodiment of a backrest **300** includes a backrest frame member, or back support member **304**, and a back member **302**. The support member **304**, otherwise referred to as a frame member, includes a lower support member **308** having a pair of forwardly extending arms **310** that are pivotally connected to the tilt control housing **10**.

As best shown in FIGS. 40, 58 and 60, the arms **310** are preferably supported on a pivot member **317**. Referring to FIG. 50, in one preferred embodiment, the pivot member **317** has a pivot portion **312** having a first diameter, a flange **314** formed on one end thereof and an insert portion **316** having a second diameter less than said first diameter. The flange **314** or head engages or traps the lower support member arm **310**. The insert portion **316** is press fit into a pivot tube **318** with an interference fit. The pivot tube **318** extends through an opening formed in the side wall **28** of the housing. As the insert portion **316** is press fit into the tube **318**, it deforms or swages the ends of the tube against the side wall **28** to form a fixed joint therebetween, but allowing the support member **304**, and in particular the arms **310**, to freely pivot on the pivot portion **312** of the insert member. In this way, a simple press-fit operation secures the back support member **304** to the housing **10**. Of course, it should be understood that other seating components, such as the seat, could also be secured to the back support or housing in this manner. The pivot portion **312** of the pivot member can be lengthened to accommodate springs as further explained below.

Referring to FIGS. 13, 43 and 58-60, the lower support member **308** further includes a pair of openings **306** that receive the lower portions of the armrest as previously explained. In the embodiment shown in FIGS. 13 and 43, the lower support member **308** further includes a support member **320** extending laterally and substantially horizontally between opposite sides thereof for engagement with a pair of leaf springs **30**, as will be explained in more detail herein below.

As shown in FIGS. 23, 39, 43, 58-60, 73 and 88, a rear portion of the lower support member forms an upwardly extending arm **322**. An upper support member **324**, or spine, has a lower end **326** that mates with and is secured to the arm **322** with a pair of fasteners **327**. A cover can be disposed
5 over the fasteners to provide a smooth, aesthetic appearance. By making the support member **304** in two-pieces **308**, **324** the backrest can be disassembled and the chair can be shipped in a smaller package. In particular, the arm **322** of the lower backrest support preferably does not extend upwardly above the uppermost surface of the armrests, such that the base, seat and armrests can be
10 compressed to a relatively short height. In turn, the backrest **300** can be easily assembled by the end user with a pair of fasteners. Moreover, the backrest can be made offline, if desired. As shown in FIGS. 24, 25, 73 and 88, the lower end **326** of the spine flares outwardly and defines a pair of opposite landings **328** that mate with the back member **302**.

15 The spine **324** extends upwardly and has a pair of arms **330** that extend upwardly and outwardly from an upper end thereof. The ends of the arms each have a pad **332** that is secured to the back member **302** with a fastener. In particular, as shown in FIGS. 32 and 88, a boss **303** extends from the rear of the back member and supports the pad and receives the fastener. A front
20 surface of the spine has a rack **334**, or a plurality of notches formed thereon. The spine is preferably made of aluminum, steel, fiberglass, composites, plastic, or some other rigid but resilient material. As shown in the embodiment of FIGS. 73 and 88, the rack **334** is formed on a lumbar support insert **820**, which is secured to the front side of the spine with a plurality of
25 fasteners **822**. The lumbar support insert **820** and spine can be made of various materials, such as Capron 8233G – 33% Glass Filled Nylon 6.

Referring to FIGS. 73, 78 and 88, in one preferred embodiment, the spine **324** has a plurality of forwardly extending fins **821**, while the lumbar support insert **820** has a plurality of rearwardly extending fins **823** that are
30 shaped to be inserted or nested in the spaces formed between the plurality of fins **821**. In this way, the spine and insert are very strong and resistant to

bending, yet provide substantially torsional flexibility. In addition, the two pieces can be easily made from molded plastic, with thinner walls and less material. In addition, the insert **820** and spine **824** can be spaced apart along the sides thereof to form a gap.

5 Referring to FIGS. 23, 28-32, 73, 74, 88 and 95-96, the back member **302** is preferably made of a resilient, compliant material, including various polymeric or plastic materials. For example, in one preferred embodiment, the back member is molded of a polypropylene 76523 Montel Profax material. The back member **302** has a top **336**, a bottom **338** and
10 opposite, curvilinear sides **340**. The sides **340** preferably have a concave, or hour-glass shape. The top **336** of the back member is preferably curved and has a convex front, body-supporting surface **342** along a peripheral portion thereof.

The back member has a lumbar region **344**, a thoracic region **346** and a
15 lower region **348**. The lower region includes a cut-out **350** shaped to be received on the lower end **326** of the spine, with a pair of bosses **352** positioned to mate with holes formed in the landings **328**. The lower region also includes a sacral support **329**, formed by a forwardly extending portion at the center of the lower region, as shown in FIGS. 32, 30 and 73. A pair of
20 fasteners secure the bottom of the back member **302** to the landings **328**. The back member **302** has a plurality of openings **354** formed therethrough. Preferably, an array of openings in the lumbar region **344** are elongated in the longitudinal direction, which runs between the top and the bottom of the back member. The openings **354** are preferably staggered. For example, in one
25 preferred embodiment, adjacent vertical columns of openings are offset in the vertical direction, such that the openings in adjacent columns are not horizontally aligned.

As with the lumbar region **344**, the thoracic region **346** also includes an array of staggered elongated openings **354**. Preferably, the elongated openings
30 formed in the thoracic region are not as elongated, on average, as the openings in the lumbar region. This means, of course, that an occasional opening, or

plurality of openings, in the thoracic region can have a greater elongation than an opening or plurality of openings in the lumbar region.

Likewise, the lower region **348** has an array of staggered elongated openings **354** formed therein, again, with an average elongation less than that of the lumbar region.

Referring to FIGS. 74, in one alternative embodiment, the elongated openings **355** in the lower region transition from a longitudinal orientation to a lateral orientation, with the transition being made progressively lower as it moves from a center line outboard, so as to form a generally triangular region of lateral openings. Some of the openings are curved to make the transition.

The elongated openings in the lumbar region and the adjacent transition areas of the thoracic and lower regions are preferably obround **356**. The shapes of the openings then transition from the obround shape to a peanut-shaped opening **358** as the location thereof moves upwardly and downwardly from the lumbar region, and then eventually the peanut-shaped openings are closed at a middle thereof to form substantially circular openings **360** adjacent the top and bottom of the back member. In addition, smaller circular openings **362** are formed along the opposite sides of the back member, including at the lumbar region, and around the entire peripheral portion of the back member. In the embodiment of FIG. 74, the openings in the lower region do not transition to a peanut shape, but rather preferably stay obround, with an outer perimeter of circular openings **362**.

The back member **302**, especially in the lumbar region, also preferably has a first thickness along the center line **364** thereof, and a second thickness at the peripheral sides **366** thereof, with the second thickness being greater than the first thickness, as shown for example in FIG. 30. For example, in the lumbar region, one preferred first thickness is about 2 mm, and one preferred second thickness is about 3 mm. As shown in FIGS. 29 and 32, the back member is preferably bowed forwardly at the lumbar region **344**. As shown in FIG. 77, the edge of the back member preferably is formed as a bead **345**. The back member is preferably formed by molding.

Referring to FIGS. 27, 72, 73 and 79, a first back support configuration includes a lumbar support **368** having a lumbar frame member **370**, configured as a bow spring having a center portion **372** and opposite ends **374**. The center portion **372** includes a guide member **376** that interfaces and slides on a track **378** formed along a portion of the length of the spine, as shown in FIG. 24.

In the embodiment shown in FIGS. 72, 73 and 78, the guide **376** includes a plurality of hook members **824** that engage and slide along the sides **826** of the lumbar support insert **820**. Preferably, the hook members **824** extend through the gap **829** formed between the spine **324** and the insert member **820**. In one preferred embodiment, the center portion **372** or guide member further includes a spring detent **380** that is engaged with the rack **334** to releasably secure the lumbar support **368** in a plurality of vertical positions. Other devices, such as set screws, pawl mechanisms, latches, friction cams and the like can be used to secure the lumbar in various positions.

Referring to FIGS. 72, 73 and 79, a knob **382** is rotatably mounted in each end of the bow member. The knob **382** includes a mounting arrangement, such as a retainer **829** having an opening offset from the axis of rotation of the knob. A lumbar belt **384** extends between the end portions **374** and is secured to the knobs **382** with a fastener **828** at the offset opening. The belt engages and supports a rear surface of the back member. The knobs **382** can be rotated, which rotates the fasteners **828**, to thereby put the strap **384** in tension and increase the amount of lumbar support. The retainer **829** holds a detent **830** in engagement with a circumferential rack **833** formed along the inside of the opening in the bowed frame **370**, such that the knob **382** can be indexed in a plurality of rotational positions.

The lumbar frame member and strap are preferably made of nylon, but can be made of other materials, such as metal, wood, composites, fiberglass, plastics and the like. The strap preferably includes a plurality of staggered, elongated openings **354** formed therethrough. One or more lumbar pads can be attached to the strap, or disposed between the strap and the back member.

Referring to FIGS. 88-94, a second back support configuration includes a first support member **1300** and a second support member **1302**. In one preferred embodiment, the first support member **1300** is formed as a loop having a base **1304**, a pair of arms **1306** and a support band **1308** or belt extending between the two arms **1306**. The support band has a forwardly facing surface **1310** that engages and supports a rear surface of the back member **302**. A downwardly opening recess **1312** or pocket is formed in the middle portion of the belt, as best shown in FIG. 92. The recess **1312** forms a guide or track for a portion of the second support member **1302**.

As best shown in FIGS. 88-90, the second support member **1302** has a J-shape, with a base arm **1314** connected to a support arm **1316** having an end **1318**, which is shaped and configured to be received in the recess **1312** of the second support member. The bottom of the J-shaped support member **1302**, or a curved portion **1328** forms a free end of the support member **1302**. The end **1318** of the support arm is supported by the lumbar support **1300** as it slides vertically in the recess, so as to allow the first and second support members to function independently. At the same time, the loop supports the support arm **1316** laterally and in the fore/aft direction. Alternatively, the end **1318** of the support arm **1316** can remain unsupported, or it can be fixedly connected to the support member **1300**, of lumbar support, or to the frame.

The base arm **1314** has an upper end **1320** disposed between the base of the first support member and the lumbar insert member. A fastener secures the first support member **1300** and the second support member **1302** to the insert member **820**. The arms **1314**, **1316** of the second support member, once installed, function as a cantilevered spring, which is supported at ends **1302** and **1318** and has free end **1328**. The base arm **1314** has a plurality of longitudinally extending and rearwardly facing grooves **1322**, **1324**, which define a plurality of ridges. The base arm **1314** also has a step **1326** formed at the bottom thereof, which is connected to the curved portion **1328** that transitions to the support arm **1316** and provides additional flexibility between the arms **1314** and **1316**. In this way, the overall support member **1302**,

including both arms acting in concert, functions as a cantilevered spring, while the individual arms **1314**, **1316** act as individual springs that provide additional independent flexibility.

Referring to FIGS. 78, 88 and 93-94, a fulcrum member **1330** is disposed between the insert member **820** and the base arm **1314** of the second support member. The fulcrum member includes a base portion **1344** forming a cavity **1348** that substantially surrounds and conforms to the forward surface of the insert member **820**. The base portion includes a plurality of hook members **824** that engage and slide along the sides **826** of the lumbar insert support member **820**. Preferably, the hook members extend through the gap **829** formed between the spine and the insert member. In one embodiment, the fulcrum member further includes a detent or latch member that engages the rack to releasably secure the fulcrum member in a plurality of vertical positions. Alternatively, or in combination, the fulcrum includes a guide member **1332** or ridge formed in the cavity **1348** that rides in a groove **1334** formed in the spine insert member. In one embodiment, the fulcrum member includes a pair of handles **1336**. The handles extend outwardly and downwardly and include a grippable portion **1338**, formed for example as a plurality of annular ridges, on the ends thereof. The front portion of the fulcrum member include a pair of guide members **1340** or tabs that ride in the outer channels **1322** formed in the base support arm. The fulcrum, first support member and second support member are preferably made of one or more types of plastic, such as nylon or glass-filled nylon, but can be made of other materials, such as metal, wood, composites, fiberglass and the like.

It should be understood that in an alternative embodiment, one or all of the sacral support member, the lumbar support member and the fulcrum member can be connected to the back member and engage the frame.

In operation, the user grips one or both of the fulcrum handles **1336** and moves the fulcrum in the vertical direction to a desired position. As the fulcrum is lowered, it shortens the cantilevered length of the support member **1302**, i.e., the distance between the fulcrum and the bottom curved portion

1328, and the arms **1314**, **1316** in particular, and provides a firmer, more rigid support for the lower region **348** of the back member as it engages the rear surface thereof. The user can raise the fulcrum **1330** so as to provide a greater cantilevered length, which in turn provides more flexibility of the support member and a corresponding less rigid support of the back member in the lower region.

Referring to FIGS. 95 and 96, the back member **302** can be modified to improve the flexibility of the lower region thereof. In particular, a U-shaped cut-out **1350** can be made in the lower region, for example along one row of openings **354** as they transition from the vertical to the horizontal. In this way, the lower region **348** is provided with a central flap **1352** or support region at the sacral region of the user's back, which is spaced from a firmer lower portion **1356**. The back member is then inserted into a mold, wherein a hinge portion **1354** is overmolded on the back member over the cut-out so as to flexibly connect the flap **1352** with the lower portion **1356** of the back member. In one embodiment, the hinge **1354** is formed as a living hinge, with a bellows shape. Of course, it should be understood that the hinge can be in-molded in the original back member, which thereby avoids the cutting and overmolding operations. In addition, it should be understood that the back member can be provided with greater flexibility by providing a thinner material in certain regions, or by providing other hinge type devices, not limited to a living hinge or molded hinges. In this way, the flap portion **1352** of the lower region **348** of the back member being acted upon by the support arm **1316** of the first support member is provided with greater flexibility to move in response to the position of the support member **1302** as the fulcrum member is moved to a desired position. In one embodiment, the hinge is formed from an elastomeric material, such as a thermoplastic elastomer.

The configuration of the spine **324** and back member **302** provides many advantages. For example, the compliant back member **302**, with its larger, or longer, openings in the lumbar region, and its lesser thickness along the center portion, allow that region to be more flexible, such that it can be

formed and supported by the lumbar support and/or sacral support. In addition, the entire back is allowed to conform to the back of the user, and in particular at the edge portions thereof, and can flex about the center spine in torsion, which is made more flexible by way of the two-piece construction with nested fins, and also about the bowed lumbar region. In essence, the intelligence of the backrest is shared by the spine **324** and the back member **302**. In this way, the backrest provides greater comfort than a backrest formed with a peripheral, and relatively stiff or non-compliant, frame. In addition, by securing the back member **302** to the arms of the spine at a location spaced below the top of the back **336**, including at about 14 inches in one embodiment, and preferably between about 2 inches and about 12 inches, and more preferably between about 4 inches and about 8 inches, the top peripheral portion can flex in response to movement from the user's shoulder and neck and further avoids a "hammock" effect between the top and bottom of the backrest.

In addition, the spine member is in essence modular, or provides a mounting configuration, which allows the manufacturer to install various support configurations on the same spine. In this way, for example, different back supports can be configured to mount on the same spine to provide an adjustable lumbar support, or a lumbar support with an adjustable sacral support. Of course, other adjustment configurations would be suitable.

Referring to FIGS. 33-38, an alternative preferred embodiment of the backrest is shown. In this embodiment, the upper portion of the spine **324** is formed as a pair of opposite shoulder portions **386**, or ears. The shoulder portions **386** preferably are formed as loops that extend upwardly, outwardly and forwardly from the center spine **324**. Preferably, the outermost portion of the shoulders **386** extends forwardly the greatest amount and forms a forwardly facing and forwardly opening cavity or recess **388** with the center portion of the spine. The lower end of the spine **326** is mated with the lower support member as explained above. A lumbar support **368** is mounted to the forward face of the spine as explained above. The lumbar support is

substantially the same as previously described, except that the lumbar belt or strap **384** has a greater height so as to provide a support over a greater vertical area.

Referring to FIGS. 33-35, a fabric member **390** is shown as having a front web **392** with a front, body-supporting surface and a rear surface. The fabric member has a top, a bottom and opposite sides, which are preferably curved and have an hour-glass shape. The top preferably is curved slightly downwardly in the middle thereof between the shoulders. A rear web **394** is secured to the front web along a seam **398** that defines the periphery of the fabric member. The front and rear webs can be made of separate materials, or can be made from a single piece of material. The front and rear web form an upper and lower pocket **396, 397**. The fabric member is preferably made of a polyester material, although it should be understood that it can be made of any type of flexible, woven, molded or non-woven materials, including various elastomeric materials and yarns.

The shoulder portions **386** of the frame member are received in the upper pocket **396**, the periphery of which is shaped to mate with and conforms to outer periphery of the shoulder portions. A lower frame member **389** is disposed in the lower pocket **397** and is attached to the lower end of the spine **324**. As the lower frame member is secured to the spine, the fabric member **390**, and in particular the front web **392**, is put in tension and is stretched tight between the lower frame member **389**, the shoulder portions **386** of the upper frame member and the lumbar support **368**. Because of the unique shape of the shoulder portions **386** and spine **324**, the fabric member **390**, and in particular the front web **392**, is suspended in front of the cavity **388** and is free of contact on the rear side thereof along substantially the entire thoracic region, thereby providing the user with a unique suspension feel. In addition, the fabric is inexpensive to manufacture, and can be easily changed if damaged, or if a different aesthetic is desired. Moreover, the spine acts as a torsion spring, and the shoulder portions as springs, to provide a

resilient feel to the user. The lumbar support **368** engages the rear side of the front web **392** and provides support for the user's lower back.

Seat:

5 Referring to FIGS. 11-17, 71 and 82, the chair includes a primary and an auxiliary seat support **202**, **204**. A pair of support brackets **206** are secured through slots **208** in the primary seat support. Each support bracket **206** includes a support member **210** that extends upwardly above the primary seat support **202** and the seating surface of the membrane **212** supported thereby.

10 The support member **210** is secured to the armrest spine with the pivot member **418**, **818**, which extends through the opening in the stem. A cover **832** can be disposed over the seat support bracket. The pivot member **418**, **818** is located at the approximate hip joint of the user, as further explained in U.S. Patent No. 6,059,368, which is hereby incorporated herein by reference.

15 In a preferred embodiment, shown in FIG. 71, a socket member **834** is secured in the support member **210**. A ball member **836** is disposed on the end of the pivot member **818**, and is matingly engaged with the socket member **834**, so as to allow rotation of the ball member relative to the socket member about multiple axes. The opposite end of the pivot member **818** is

20 threadably engaged with a nut member **838**, which is secured, preferably by welding, to the arm spine **408**.

Referring to FIGS. 15 and 16, in one alternative preferred embodiment, a C-shaped bushing **214** is mounted in an opening **216** formed in the support member, preferably with a snap-fit. The bushing is preferably made of acetal.

25 The pivot member **418** preferably includes a flat spot **218** and an outer circumferential surface **220**. During installation, the seat is initially rotated such that axle **222** of the pivot member can slide through a mouth **224** of the bushing **214** by aligning the flat spot **218** substantially perpendicular to the mouth **224**. The axle **222** has an outer arced pivot surface **236** and a key surface **228** defined by the flat spot **218**. The pivot surface **226** is defined by a

30 radius "r" from the center **230** of the axle, with the overall axle having a

diameter “D” defined there across. The key surface is formed at a distance “d” from the center of the axle, which is preferably less than the radius, and preferably parallel to a plane through the center **230**. Preferably, the distance between the key surface **228** and the center **230** is less the width of the mouth **224** minus the radius “r” of the axle such that the axle can be inserted through the mouth. Once the pivot member **418** is located in the bushing, the seat **200** can be rotated to its normal operating position, wherein the axle **222** is trapped by the bushing **214**. In this way, the seat can be secured to the armrest without the use of any tools, and without having to tighten or manipulate any mechanical fasteners, which can be expensive and time consuming. Alternatively, the seat and armrest, or back support, can be coupled using any conventional pivot member. Conversely, it should be understood that the arrangement described herein can be used to secure any two components, not limited to the seat and back support, in a pivotal configuration.

Referring to FIGS. 17-19, 41 and 82, the primary and auxiliary seat supports **202**, **204** define a peripheral rim **232** that defines a generally open center. The primary seat support **202** includes opposite, downwardly extending, and inwardly sloping side support walls **234** that transmit the load from the seat support to the tilt control housing **10**. In the embodiment of FIGS. 17-19 and 41, a pivot member **236** extends between the support walls. A pair of rollers **238** are rotatably mounted on the pivot member **236** adjacent each side wall. It should be understood that preferably the rollers can be pivotally mounted on the axle, the axle can be rotatably supported by the seat, or both. Alternatively, as shown in FIGS. 80 and 81, a pair of pivot members **237** are each inserted through a roller **239** and are mounted to a bracket **248**. In particular, the pivot member includes a flange that engages one side of the bracket, while a nut **241** or fastener engages the other end as it is supported by the bracket. The primary support is secured to the bracket **248**. In either embodiment, the rollers **238**, **239** ride along a pair of tracks **240**, shown as curved rails or fenders, formed on the tilt control housing as the chair is tilted

rearwardly. As shown in the embodiment of FIGS. 20, 41, 80 and 81, a pair of hook members **242** are mounted on the pivot member and include downwardly extending hooks **244** that engage and slide along a lip portion **246** of the tracks as the rollers **238** ride on the tracks. It should be understood that the tracks
5 could take other forms, and could be formed for example and without limitation as slots in the control housing side walls. Alternatively, the rollers or wheels can be rotatably mounted to the housing, and the track can be formed on the seat support. Alternatively, the rollers can be omitted altogether, with the respective members merely sliding relative to each other.

10 Referring to the embodiments of FIGS. 19 and 82, the bracket **248** extends between and is secured to the side walls **234**. The bracket includes a pair of forwardly extending flange portions. A pair of guide members **252**, configured as posts, are mounted to and extend laterally outward from the flange portions.

15 Referring to FIGS. 17-20 and 82, the primary seat support **202** includes a rear portion **254** and a front portion **256**, and opposite sides **258**. The auxiliary seat support **204** has a rear portion **260** pivotally mounted to the front portion **256** of the primary seat support **202** with a pair of pivot members **262** extending laterally outward from the ends of the rim portion of the auxiliary
20 seat support, which pivot members are received in laterally facing openings formed in the rim portion of the primary seat support. Alternatively, a pair of tabs **271** on the primary seat support are snap fitted in a pair of openings **273** formed on the secondary seat support. The rim portion **232** includes an upper wall **266** that engages a support wall **268** extending forwardly from the pivot
25 axis **270** on the primary seat support. In this way, the support wall **208** supports the rear portion **260** of the auxiliary seat support and carries the load from the user.

A linkage assembly **272** is pivotally mounted to a forward portion **262** of the auxiliary seat support. The linkage assembly includes a first link **274**
30 having a first end **275** pivotally mounted to the auxiliary seat support with a pivot axle **276** at a first pivot axis. A second end of the first link is pivotally

mounted to a second pivot link **278** at a second pivot axis. In turn, the second link **278** is pivotally mounted to the seat support on the pivot member **236**, **237** at the main pivot axis. In the embodiment of FIGS. 17-19 and 81, the first link **274** is preferably curved and has a curved track **280**, shown as a slot, formed therein. Alternatively, as shown in FIG. 20, the first link **274** can be linear. Referring to FIGS. 17-19 and 81, the track can be provided with a bearing **282** or liner, which can further be formed as a cover **285** that covers the outer exposed surface of the link. The track **280**, or bearing, is disposed on a first portion of the guide member **252**, which rides in the track. The first link **274** and track **280** preferably have a downwardly opening concave curvature, or an upwardly facing convex curvature.

In operation, the user grips or grasps the front edge **262** of the auxiliary seat support and bends or flexes the auxiliary seat support as the first link **274** moves relative to the guide **252** and as the first link **274** pivots the second link **278** about the pivot member **236**. The curvature of the track **280** preferably corresponds to the distance between the pivot axes on the second link such that the linkage assembly does not bind up. The relative curvatures allow for the first link **274** to maintain relatively the same orientation throughout the range of motion of the front portion of the seat. In addition, the first and second links **274**, **278**, with the guide member **252** engaging the first link, act as a beam to carry the load from the front edge of the auxiliary seat support to the primary seat support. In one embodiment, shown in FIG. 81, an upper surface of the link **274** is provided with a plurality of indentations **279** that are indexed on a spring **277**, so as to provide the user with an indexed positioning device.

The seat also includes a lock device connected between the auxiliary seat support and the primary seat support. Of course, it should be understood that in certain embodiments, for example where the seat is not slideably moveable relative to the housing, but rather only pivotally moveable relative thereto, the lock device and the linkage assembly could be engaged with the housing, rather than the seat support.

Referring to FIGS. 18, 19 and 81, the lock device includes a pair of lock arms **284** joined with a handle portion pivotally connected to a bracket **287** mounted to the auxiliary seat support on the pivot axle **276** at a pivot axis. Each of the lock arms **284** includes a plurality of notches **288**, forming a rack therealong, which selectively engage the outer portion of the guide member **252**, configured as a latch member. One or more coil springs **294** is mounted on the axle and biases the arm into engagement with the latch member. Of course, it should be understood that tension, compression, torsion springs, and other biasing devices would also work. Referring to the embodiment of FIGS. 18 and 19, the lock arm further includes a tab member **290** extending laterally therefrom, which is received in an elongated opening or track **292** formed in the first link member **274**. The tab member **290** rides in the opening **292** and provides a limit on the range of motion of the lock arm.

Referring to the embodiment of FIGS. 81 and 82, the handle **286** includes an arm that extends from the pivot axis **276** and includes a pivot member **297** that is connected through a slotted opening **295** in the end of the lock arm **284**. The opposite end of the lock arm is pivotally connected to the link member **278** and the link member **274**.

In operation, the user lifts the handle **286** towards the front edge **262** of the auxiliary seat support and rotates the handle relative to the bracket **287** as he/she grips the front edge of the auxiliary seat support and thereby pivots the lock arm **284** against the force of the spring **294** to a disengaged position wherein the notches **288** are disengaged from the latch member **252**. The user then moves the front edge **262** or portion of the auxiliary seat support to a desired position relative to the rear portion thereof by bending or flexing the auxiliary seat support, and in particular the rim portion **232** thereof. In one embodiment, the spring **277** indexes along the notches **279**. When the desired position is reached, the user releases the handle **286**, such that the spring **294** biases the lock arm **284** into an engaged position, with one of the notches **288** engaging the latch member **252**. It should be understood that the latch

member can be formed on the lock arm, with the notches or rack formed on the primary seat support or housing. The rack defines four to five positions, although it should be understood that the seat can be bent or flexed between at least a first and second position, or to a plurality of such positions other than
5 four or five. Preferably, the curvature of the upper surface of the forward portion of the seat support is greater and increases as it is bent or flexed downwardly about a substantially horizontal axis, e.g., the pivot axis. Preferably, the seat supports are made of a resilient material, such as various polymeric or plastic, or elastomeric materials. In one preferred embodiment,
10 the seat supports are made of nylon.

It should be understood that the primary and auxiliary seat supports can be integrally formed as a single one-piece unit, with a forward portion of the seat support being bendable or flexible, or relatively rigid, for example where no seat depth is intended. Likewise, it should be understood that the seat
15 support can be formed as a single one-piece web or sheet material, without an additional membrane, wherein the one-piece web is made of a flexible material such as plastic and wherein the web forms the seating surface for the user. Of course, the same linkage and lock mechanism can be used to control the flexing and positioning of the forward portion of the seat support.

20 Referring to FIGS. 17-20 and 82, the auxiliary seat support **204** preferably includes a plurality of laterally extending and longitudinally spaced ribs **296** that form a recess **298**. A pad **299** is disposed in the recess **298** and provides support for the legs of the user, especially as the forward portion of the seat is bent or flexed downwardly, to form a waterfall contour of the front
25 portion of the seat. In this way, the effective amount of seat support surface contacting the user's legs can be reduced, for example for shorter users, simply by bending the forward portion of the seat. In addition, the user can lock or latch the forward portion in various positions, including at least the first and second position.

30 Referring to FIG. 21 and 82, the rim portion **232** of the primary and auxiliary seat supports includes a channel **233** and a plurality of outwardly

extending hook members **235**. A carrier member **237**, shown in FIGS. 22 and 82, is secured around the periphery of a membrane **212**. The membrane is preferably a woven material, and can be made of various cloth fabrics, elastomeric materials and yarns. For example, the membrane can be made from various materials described in U.S. Patent No. 6,059,368, which is hereby incorporated herein by reference.

The carrier member **237** has an insert portion **239** disposed in the channel **233** and a cover portion **241** forming one or more recesses **243** shaped to correspond to and mate with the hook members **235** of the rim portion. The insert portion **239** of the carrier member is disposed in the channel **233** as the cover portion snaps over and engages the hook portions **235** so as to secure the membrane to the seat supports. Various methods of attaching a carrier member to a membrane, and for securing the carrier member to the seat support, are disclosed in U.S. Patent 6,059,368, and U.S. Patent Application No. 09/666,624, entitled Carrier and Attachment Method for Load Bearing Fabric, filed September 20, 2000, the entire disclosures of which are hereby incorporated by reference.

An information card (not shown) providing indicia for using the various chair mechanisms can be slidably mounted to the seat support, or alternatively, to the armrests or backrest. Preferably, the card or the support structure therefore are provided with travel limiting members to prevent the card from being removed from the chair where it can be then be lost.

Tilt Assembly:

As shown in FIGS. 43, 46 and 51, the housing **10** includes a pivot bracket **32**, a lower housing member **34** and an upper housing member **36**. The pivot bracket **32** preferably has a substantially horizontal platform **38** with an opening **40** formed therein and a raised rim **42** formed around the opening, a pair of opposite side walls **44** having two pairs of aligned openings **46** therethrough, and a rearwardly and downwardly extending platform **39**.

An annular bushing **50** has a first and second end **52, 54**, with an annular flange **56** extending radially outward from the first end. The annular bushing **50** is inserted through the opening **40** in the platform **38**, as the lower surface thereof abuts and is supported by the flange **56**. The bushing is
5 mounted on the upper end of the support column **12**.

The back support arms **310** are preferably secured to the pivot bracket **32** at the first openings **946** with a pair of insert pivot members **317** as described above. In addition, a pair of assist springs **58** are mounted on the pivot members **317**. Each spring **58** includes a first leg engaging the pivot
10 bracket **32** and a second leg engaging the back support arm **310**, wherein the spring biases the seat support in an upward direction. The springs **58** are preferably coil springs, although it should be understood that torsion springs, tension springs and compression springs also could be used to assist in the biasing of the back support member.

Referring to FIG. 51, a stop assembly **600** includes a stop block **602**
15 with an opening **604** therethrough. The stop block is disposed on the platform **39**, with the rim **42** received in a bottom end of the opening **604** and with the bushing **50** extending through the opening in the stop block. The stop block includes a staircase **606** portion having a lower surface **608** that abuts
20 and is supported by the platform **39**. The staircase includes a plurality of steps **610** formed on an upper portion thereof. The stop block **602** has a horizontal opening **612** formed therethrough. An upside down U-shaped stop member **614** is pivotally mounted to the stop block **602** with a pivot member **616**. A spring **618** is mounted on the pivot member **616** to bias the
25 stop member **614** in a rear ward direction. The stop member has a curved stop surface **620** formed on an underside of the apex of the member **614**.

The lower housing member **34** has a bottom wall **60**, having a horizontal portion **62** and an upwardly and forwardly extending portion **64**, a pair of opposite side walls **66** and a front wall **68**. The lower housing member
30 further includes a mounting podium **70** extending upwardly from a rear portion of the bottom wall. The podium **70** forms a cavity that receives the

stop block **602** and includes an opening **72** that receives the bushing **50**. At least one of the side walls **66** includes a slot **74** formed therein through which various pivot members can extend. The front wall **68** includes a pair of horizontally extending slots **76**, which are shaped to receive an end of the leaf springs **30**.

Referring to FIG. 43, the upper housing member **36** has a bottom wall **78**, a pair of side walls and a front wall. The front wall includes a pair of horizontally extending slots **84**. The upper housing member is disposed in the lower housing member **34** such that various fastener holes and slots **76**, **84** are aligned, whereinafter the upper housing is secured to the lower housing with fasteners, or by welding and the like. The lower surface of the bottom wall **78** of the upper housing member and the upper surface of the bottom wall **60** of the lower housing member are spaced apart, such that a linkage assembly can be disposed therebetween.

As shown in FIGS. 43 and 46, each support arm **310** also includes a second opening positioned rearwardly of said first opening. The second opening receives a support member **320**, which defines a horizontal axis.

When the three-bar linkage formed by the back support, seat and housing is combined with a pair of leaf springs **30**, the resultant chair can be designed in a compact and aesthetically pleasing form. It should be understood that the three-bar linkage could be formed by pivotally connecting the seat support and back support to the housing and by pivotally and slideably connecting the seat support to the back support, or by pivotally connecting the seat support to the housing and to the back support and then pivotally and slideably connecting the back support to the housing.

In one preferred embodiment, shown in FIGS. 58-60 and 66-68, the housing **910** includes a pair of pivot brackets **932**, a lower or outer housing member **934** and an upper or inner housing member **936**. The pivot brackets **932** are secured to opposite sides of the inner and outer housing members with a plurality of fasteners. The pivot bracket **932** define a pair of aligned openings **946** along a lateral horizontal axis. The back support

arms **310** are preferably secured to the pivot bracket **932** at the first openings **946** with a pair of insert pivot members **317** as described above.

In this embodiment, the annular bushing **50** is disposed through openings **940**, **972** in spaced apart portions of the inner and outer housing members, with the bushing capturing those members. The bushing is mounted on the upper end of the support column **12**. Referring to FIG. 66, the lower housing member **934** has a bottom wall **960**, a pair of opposite side walls **966** and a front wall **968**. The bottom wall includes the opening **972** that receives the bushing **50**. The side walls **966** include a plurality of openings **1002**, **1004**. Some of the openings **1002** are configured to receive fasteners, which join the lower housing member to the upper member and pivot member. Other openings **1004** are shaped and dimensioned to receive various actuator members and controls.

Yet other openings **1006** are positioned to be connected to a backrest support, seat or other linkage assembly supporting a seating structure in a different seating arrangement, or to support various actuator controls. In this way, the tilt housing is provided with a plurality of connector arrangements. For example, in one arrangement, the backrest support arms **402** and seat **200**, which define a mounting arrangement, are configured to be pivotally connected to the pivot brackets **932** at the opening **946** and pivotally and translatably supported on the tracks **240** of the pivot bracket **932**, with the opening **946** and track **240** defining a first connector arrangement. In another seating arrangement, one or both of the seat **200** and the back support **304**, which define a mounting arrangement, which may be the same as or different from the first mounting arrangement, is configured to be connected to the upper and lower housing members at various openings, for example openings **1006**, which define a second connector arrangement. In other seating arrangements, the seat and backrest are connected to the upper and lower housing, or a pivot bracket (which may vary from the disclosed pivot bracket) with a linkage assembly, which defines yet another mounting arrangement. Indeed, various openings in the housing members, including one or more of

the inner and outer housing members and pivot bracket, can be formed to define different connection points that support the particular seating structure that is being mounted thereon. The connector and mounting arrangements can be sliding or fixed pivots as required by the chair kinematics. The dies used to form the various housing members are preferably constructed so that additional connector openings can be added later if another pivot point is desired. In addition, if the pivot point falls outside the side surface of the upper or lower housing members **934**, **936**, the location can simply be provided by adding the side pivot brackets **932**, as shown herein.

As explained above, the seat to back support pivot connection is not defined by the tilt housing, and this connection, whether direct or by way of a link or linkage, can be made independent of the configuration of the tilt housing so as to further add to the flexibility of altering the kinematics of the seating structure. Moreover, a single back support can be used to support a variety of different configurations, simply by altering the shape and configuration of the armrests, which are connected to the seat as explained above.

Referring to FIGS. 60 and 67, the upper housing member **936** has a bottom wall **978**, a pair of side walls **980** and a front wall **982**. The front wall includes a pair of horizontally extending slots **84**. The upper housing member **936** is disposed in the lower housing member **934** such that various fastener holes **1002** and connector openings **1004** are aligned, whereinafter the upper housing is secured to the lower housing with fasteners, or by welding and the like. The lower surface of the bottom wall **978** of the upper housing member **936** and the upper surface of the bottom wall **960** of the lower housing member **934** are spaced apart at various locations.

Referring to FIG. 60, the back support **308** includes a web **1008** having an upper and lower surface **1010**, **1012** and a forwardly extending edge **1014**. The edge includes a raised central portion **1016** and a pair of outer side portions **1018**. The back support **308** further includes a pair of downwardly facing curved portions positioned **1020** on each side of the middle portion.

Referring to FIGS. 58-60, a spring link **1022** includes a lower end having a pair of arms **1026** each with a rearwardly facing curved hook portion **1030** that pivotally engages the curved portions **1020** of the back support. In alternative embodiments, the spring link can be pivotally connected to the
5 back support with a pin or axle. An upper end of the spring link **1022** includes a forwardly facing hook portion **1024**, which a pair of tabs or locator members **1028** spaced therealong. A downwardly facing edge of the hook portion **1024** engages the top of the springs **30**, with the tabs **1028** inserted in openings **33** in the springs to locate them relative to the spring link. In operation, as the
10 back support **308** tilts rearwardly, the spring link **1022** pivots between the spring **30** and the back support **308**, which avoids the spring sliding along the back support. Such sliding can create relatively large friction forces acting between the spring and back support. Of course it should be understood that the spring link can be omitted with the springs directly engaging the back
15 support.

Although the above-described three-bar mechanism is preferred, it should be understood that the leaf springs can also be incorporated into synchro-tilt chairs using linkage mechanisms such as four-bar linkages and the like. With a four-bar linkage, links can be provided to pivotally connect the
20 seat support and/or back support to the housing and/or to each other about various horizontal axes.

As best shown in FIGS. 43-45, 47 and 60-62, a fulcrum member **90** is moveably installed in the upper housing member **36** beneath the pair of leaf springs **30**. The fulcrum member **90** is preferably formed from a single piece
25 of hard, durable material having a relatively low coefficient of friction, such as DELRIN or CELCON Acetal, so as to allow the fulcrum member to slide relatively easily along the bottom surface of the bottom wall **78**, **978** of the upper housing, even when heavily loaded by the spring. It should be understood, however, that other materials such as steel would also work.
30 Similarly, the bottom surface can be lined with a material having a low

coefficient of friction, such as TEFLON, or the fulcrum member can be configured with rollers that roll on the housing member.

The fulcrum member **90** includes a central portion **92**, opposite side support portions **94**, each having a support surface **96**, and a bottom surface **97**. Preferably, the support surfaces **96** are not symmetrical with respect to any laterally extending vertical plane that is perpendicular to the longitudinal vertical plane in which the leaf springs **30** flex. Preferably, the support surface **96** is curvilinear and slopes rearwardly and downwardly, such that a tangent of any point therealong slopes rearwardly and downwardly. Preferably, at least a portion, and preferably the entirety, of the support surface **96** forms an arc. In a preferred embodiment, the arc has a radius between about 5 and 7 inches, and more preferably about 6 inches. In operation, the spring follows the support surface, which provides more contact therebetween as the user tilts rearwardly in the chair. In particular, as the spring bends in an arc, it naturally contacts the curved support surface of the fulcrum at a laterally extending tangent line. As the user reclines further rearwardly, the tangent contact moves rearwardly, thereby shortening the cantilevered length of the spring **30** at the end thereof engaging the support member **320** or spring link **1022**. In turn, this change in the length of the spring varies the stiffness of the spring as the user tilts rearwardly.

Referring to FIGS. 43-45 and 47, each support portion **94** has a laterally extending track **98**, formed as a slot, in the bottom surface thereof. The support portions **94** of the fulcrum member are supported by and slide along tracks formed on the upper surface of the bottom wall of the upper housing member. A rear lug **86** is formed on the rear portion of the bottom wall **78** and includes an opening **88** received on the annular bushing **50**. The second end **54** of the bushing is then turned or rolled, or otherwise deformed, to form a second annular flange **57** extending radially outward from the bushing. In this way, the bushing captures the pivot bracket **32**, the stop block **602**, and the upper and lower housing members **34**, **36**, or in an alternative embodiment the upper and lower housing members **934**, **936**.

Other embodiments of the fulcrum member and adjustment mechanism for adjusting the longitudinal position thereof, are illustrated and described in U.S. Patent No. 6,250,715, which is hereby incorporated herein by reference. It should be understood that the fulcrum member can alternatively be fixed
5 within the housing at a specific location, such that the resistive force of the chair can not be adjusted.

Referring to FIGS. 43 and 48-50, in one preferred embodiment, an adjustment mechanism, including a linkage assembly **700** and an actuation mechanism **702**, is connected to the fulcrum member **90**. The linkage
10 assembly **700** includes a cover bracket **704** mounted to a bottom wall **78** of the upper housing member **36**. The cover bracket **704** includes a pair of opposite arcuate tracks **706** centered around a opening **708** defining a pivot axis. Preferably, the tracks, formed as slots in the bracket, are generally oriented in the lateral direction. The cover bracket **704** further includes a pair of opposite
15 side walls **710**, to which a screw member **712** is rotatably mounted. The bottom wall **78** of the upper housing member also includes a pair of opposite arcuate tracks **714** centered around a pivot member **716**, which extends downwardly from the bottom wall and defines a pivot axis. Preferably, the tracks **714**, which are formed as slots in the bracket, are generally oriented in
20 the longitudinal direction, or in a direction opposite the tracks **706** formed in the cover bracket.

The linkage assembly includes a first and second link **718, 720** pivotally mounted to the cover bracket at the pivot axis. The first link **718** has a first guide member **722** extending upwardly and vertically therefrom and
25 which is disposed in one of the tracks **714** in the upper housing member. The first link **718** further includes a second guide member **724** extending downwardly and vertically therefrom, and which is disposed in one of the tracks **706** in the lower housing member. The second link **720** has a first guide member **726** extending upwardly and vertically therefrom and which is
30 disposed in the other track **714** in the upper housing member opposite the first track. The second link **720** further includes a second guide member **728**

extending downwardly and vertically therefrom, and which is disposed in the other track **706** in the lower housing member. The first guide members **722**, **726** of the links are further inserted or disposed in the slots **98** formed in the bottom of the fulcrum member. The second guide members **724**, **728** are
5 disposed or inserted in a pair of longitudinally extending tracks **730** formed in an actuator member, which is threadably engaged with the actuation screw **712**, which is preferably, but not necessarily, double threaded. The various guide members **722**, **724**, **726**, **728** define pivot axes between the links **718**, **720** and the fulcrum member **90** and the actuator member **732**.

10 In operation, the user rotates a knob **734**, or grippable member, secured to the end of the screw **712**. Preferably, the knob is visible to the user sitting in the chair and is located at approximately the handfall position of the user's right hand when seated in the chair. The knob is preferably circular and is shaped and dimensioned to be gripped in the palm of the user. In addition, the
15 knob includes flexible fin regions spaced around the circumference thereof that can be gripped by the user's fingers. Preferably, the knob is rotated clockwise to increase the biasing force of the springs, and counterclockwise to decrease the force. Preferably, as the screw **712** is rotated, it threadably engages the actuator member **732** and moves it in a lateral direction. As the
20 actuator member **732** is moved laterally, it moves the guide members **724**, **728** in the arcuate tracks **706**, as the guide members also move in the tracks **730** formed in the actuator member. Movement of the guide members **724**, **728** causes the first and second links **718**, **720** to pivot about the pivot axis **716**, and thereby causes the guide members **722**, **726** to move within the arcuate
25 tracks **714** formed in the upper housing member. As the guide members **722**, **726** move in the tracks **714**, they engage the fulcrum member **90** and thereby move the fulcrum member in the longitudinal direction as the guide members **722**, **724** move in the tracks **98** formed in the fulcrum member. Preferably, the torque required to adjust the position of the fulcrum member is
30 less than about 5 lbf. In addition, preferably the fulcrum can be moved from its maximum to minimum biasing position with a maximum of 6 full

revolutions of the knob. It should be understood that the various interfacing tracks and guide members can be formed or mounted on the opposite members as described herein without departing from the scope of this invention.

In alternative embodiment of the actuation mechanism, shown in FIGS. 5 60, 61, 69 and 70, a lead nut **1040** is threadably engaged on a threaded drive shaft, or lead screw **1042**. The lead nut **1040** is disposed in a recess **1046** and captured by the middle portion **92** of the fulcrum member **90**. As the drive shaft **1042** is rotated, it moves the lead nut **1040** and the fulcrum **90** to the desired position. Preferably, the drive shaft **1042** includes an end shaft portion 10 1044 that is rotatably supported at an opening **1050** formed between two gear housing members **1048**, which are joined to form a gear housing. A bevel gear **1052** is also mounted on the drive shaft **1042**, and is disposed in the gear housing. The bevel gear **1052** meshes with the bevel gear **810**, which is mounted in the gear housing about an axis **1054** substantially perpendicular to 15 the longitudinal axis of the drive shaft **1042**. A bearing **1056** is disposed between the gear housing **1048** and the bevel gear **1052**. An actuation shaft **1058** extends through the pivot member **804** and tube **22** and includes a first end **1060** shaped and configured to non-rotatably mate with the bevel gear **810**. An opposite second end of the shaft is connected to the knob **734**.

20 In operation, the user rotates the knob **734**, which rotates the shaft **1058** and the bevel gear **810**. The bevel gear **810** meshes with and rotates the bevel gear **1052** and thereby rotates the drive shaft **1042**, which in turn moves the lead nut **1040** and fulcrum **90**.

As best shown in FIG. 70, the gear housing preferably includes a 25 locator portion **1064** formed along the bottom thereof that is disposed in an opening **1068** formed in the bottom of the upper, inner housing member **936**. The locator portion **1064** abuts the housing member **936** and prevents the gear housing **1048** from moving in the fore/aft direction, and also in the lateral direction. The gear housing **1048** further includes a locator portion **1066** 30 formed on the front thereof that slides under a shoulder **1070** formed in the inner housing member **936**. The locator portion abuts **1066** the shoulder **1070**

and prevents the gear housing **1048** from rotation about the horizontal axis **1054** defined by the actuator shaft **1058**. During assembly, the locator portion **1066** is first inserted under the shoulder **1070**, and the gear housing **1048** is thereafter rotated such that the locator portion **1064** is disposed in the opening **1068**. The springs **30**, once installed, further prevent the gear housing **1048** from being displaced by applying a downward force to the gear housing **1048** by way of the fulcrum member **90** and drive shaft **1042**.

In an alternative embodiment, the drive shaft can simply extend through the front wall of the housing, to which it is rotatably mounted. An adjustment knob can be secured to the drive shaft. In operation, rotation of the drive shaft threadably engages and moves the fulcrum member.

The slotted openings **74, 86, 986** formed in the front walls **68, 82, 982** of the housing members **34, 36, 936** defined cross members **83, 85**. The pair of leaf springs **30** are installed in the chair by inserting an end **31** of each spring through one of the openings **74, 86, 986** such that a top surface of the spring **30** engages the cross member **83, 85**. A tab member **87, 987** or protuberance extends downwardly from the cross member and is disposed in an opening **33** formed in the end of the spring to locate and restrain the movement of the spring in the longitudinal direction. Instead of a cross member formed integrally into the housing, a separate horizontal rod can be installed laterally in a forward portion of the housing so as to engage the top surface of the forward end of the spring.

The leaf springs **30** are constrained laterally within the housing by the sides of the center portion **92** of the fulcrum. The leaf springs **30** extend rearwardly within the housing **10** such that a bottom surface of the springs engages the support surface **96** of the fulcrum member **90**. An end of the spring is inserted beneath the support member **320** or the edge of the spring link hook portion **1024** such that top surface engages support member **320**, which preferably includes a bearing member **321**, or spring link **1022**.

Although each spring **30** is shown as a single leaf, it should also be understood that multi-leaf springs could also be employed. The leaf springs are preferably

made of a composite material, such as a fiberglass and epoxy matrix, although it should be understood that other resilient materials such as steel would also work. The composite material can be a fibrous composite, a laminated composite or a particulate composite. A suitable composite spring is
5 commercially available from Gordon Plastics, Inc. of Montrose, Colorado under the specification designation of GP68-UD Unidirectional Fiber Reinforced Bar Stock, and sold under the tradename POWER-TUFF. The fiberglass/epoxy matrix bar preferably is unidirectional with a glass content of about 68% and a laminate density of .068 lbs./in.³. The bar preferably has a
10 flexstrength of about 135,000 psi, a flex modulus of about 5,000,000 psi, and an ultimate strain of about 2.4%. The use of a composite material bar can help eliminate the problems associated with creep. Another suitable spring is unidirectional fiberglass 70 ± 2% by weight 30% vinyl ester hi-performance resin. The shape, size (width, thickness, length) and material of the springs
15 can be varied to provide various spring characteristics. In addition, the spring can be compression molded in various curved shapes to provide unique tilt balance and ride options.

In operation, the end **84** of the leaf spring **30** biases the support member **320**, the back support **304** and the seat support **202**, via the back
20 support and armrests, in an upward direction so as to thereby support a user sitting in the chair. The opposite end of the spring engages the cross member **83**, **85** or rod mounted in the housing, while an intermediate portion of the spring is supported by the fulcrum member **90**. In this way, the spring **30** acts as a simply supported beam with a load imparted intermediate
25 the supported ends thereof. To adjust the force applied to the back support, the user simply actuates the linkage assembly which moves the fulcrum member in a linear, longitudinal direction within the housing. It should be understood that the spring biases the seat support by way of the back support, and that in alternative embodiments, the spring can bias the back support and
30 seat support through a common element, such as with a pivot member that pivotally connects those members, or can directly bias the seat support and

also the back support. In any of these embodiments, it should be understood that the springs are biasing each of the seat support and back support, individually and in combination.

As the fulcrum member **90** is moved rearwardly in the housing **10**, the distance between the point of support at the front of the housing and the support member is decreased, so as to correspondingly increase the force applied by the rear end of the spring. Conversely, the fulcrum member **90** can be moved forwardly in the housing **10** to decrease the amount of resistive force applied to the seat support and back support by increasing the beam length, or the distance between the fulcrum **90** and the support member **320** or spring link **1022**. Since the leaf spring **30** is simply supported at each end, rather being clamped to the housing, the pivot rod (or spring link) or both, bending moments are not introduced at the ends of the spring. When clamped, the properties of the spring, and the amount of the clamping, can effect the loading and associated stresses. Moreover, by providing a simply supported spring, tolerances can be relaxed and the curvature of the spring is allowed to undulate as the beam length changes.

Because the leaf springs **30** are disposed in the housing **10** in a side-by-side arrangement, and are preferably formed as flat bars, the housing can be made more compact at lower cost in an aesthetically pleasing way. This advantage is even more apparent when the leaf spring arrangement is combined with the three bar mechanism. Moreover, the resistive force of the spring can be adjusted easily and simply by slideably moving the fulcrum **90** within the housing **10**. Since the resistive force is determined by the beam length, rather than by prestressing the spring, the adjustment does not require a progressively larger actuation force as is typically associated with torsion springs and bars and compression springs.

Tilt Limiter:

Referring to FIGS. 52-57, one preferred tilt limiter mechanism is shown. Although the tilt limiter is shown as having a mechanism secured to

the back support, with the stop members **602**, **614** mounted to the housing, or base, it should be understood that the location of those aspect could be reversed, or alternatively, could be operative between a seat support and a housing, or base.

5 In a preferred embodiment, the tilt limiter mechanism includes a U-shaped bracket **622** having a rear wall **624**, a pair of side walls **626** and a pair of mounting flanges **628** secured to the back support. It should be understood that the bracket could be formed integrally with the back support. The tilt limiter includes an upper and lower tilt limiter member **630**, **632** slideably
10 mounted to the back support on a guide member **634** that extends through a slot **636** formed in the back support and has an upper and lower guide portion **638**, **640** extending upwardly and downwardly from the support member respectively. In particular, each tilt limiter member includes a track **642**, **644** disposed on one of the guide portions.

15 The upper tilt limiter member **630** includes a upwardly facing stop surface **646**, which is provided with a curved contour to mate with the lower surface **620** of the stop member **614** when the upper tilt limiter member is moved forwardly under the stop member **614**. In this way, the upper tilt limiter member **630** limits the forward tilt of the back support and attached
20 seat as it engages the stop member **614**. In operation, the tilt limiter member **630** is slid rearwardly such that the back support **304** can pivot forwardly until a curved lip **648** formed on a leading edge of a back support cross member that extends between the arm portions **310** engages the stop member **614** to define a forward tilt position, as shown in FIG. 55. In this
25 position, the lower tilt limiter member **632** can be moved forwardly to engage an uppermost step **650** on the stop block, such that the backrest is locked in the forward tilt position.

 The backrest, and chair, can also be locked in a neutral, or upright position, as shown in FIG. 56, by engaging the upper stop **614** with the upper
30 tilt limiter member **630** and by engaging a next lower step **652** from the uppermost step with the lower tilt limiter member **632**. Other rear tilt

positions can be limited by moving the lower tilt limiter member **632** to various positions such that it selectively engages one of the next lower steps **610** on the stop member **602**. Preferably, the steps are arranged and dimensioned to provide tilt limit positions at 5 degree tilt intervals.

5 Each tilt limiter member **630, 632** is moved in the longitudinal direction using an actuator mechanism. The actuator mechanism includes a pair of drive links **654** mounted to a first and second coaxially mounted pivot members **658, 660**, each having a grippable portion, or paddle mounted to an end thereof. The shape of the paddles are configured to resemble the shape of
10 the overall chair, as shown in FIG. 53. In particular, the position of the upstanding paddle, which is preferably used to adjust the position of the rear tilt limiter, provides indicia to the user about the setting of the tilt limiter and the maximum rear tilt position thereof, even when the chair is not in such a position. Likewise, the substantially horizontal paddle, which is preferably
15 used to adjust the position of the forward tilt limiter, provides indicia to the user about the setting of the forward tilt limiter, even when the chair is not in such a position. The pivot members **658, 660** are rotatably mounted to the bracket about a horizontal axis of rotation. It should be understood that the drive links and pivot members can be mounted about spaced apart, and even
20 non-parallel, axes of rotation.

A pair of follower links **656** each have a first end are pivotally mounted to the bracket **624** at a first and second pivot axis **666, 668**, which are spaced from the horizontal axis of rotation, and which are preferably, but not necessarily coaxial. A second end of the follower links **656** are each pivotally
25 mounted to a coupling link **672**, which is further pivotally mounted to the tilt limiter members **630, 632**. It should be understood that the follower links can be directly coupled to the tilt limiter members without an intervening or intermediate coupling link.

A pair of springs **674** are mounted on the pivot member about the axis.
30 Each spring includes a first arm **676** engaging a lug on one of the drive links **654** and a second arm **678** engaging a lug on one of the follower

links **656**. A pair of indexing members **680**, formed as cantilever springs are mounted to the rear wall **624** of the bracket **622** and selectively engage racks **682** formed on the drive members **654**.

In operation, the user rotates one of the levers **662**, **664** to a desired tilt
5 limiter position determined by the indexing member **680**, which in turn pivots
a corresponding drive link **654** and an associated arm **676** of the spring **674**. If
there is no load on the seat and backrest creating a frictional force between the
tilt limiter member **630**, **632** and the stop member **602**, **614**, the other arm of
the spring **678** moves the follower link **656**, coupling link **672** and the
10 connected tilt limiter member **630**, **632** to the desired position. However, if a
load is applied to create a friction force between the tilt limiter member **630**,
632 and the stop member **614**, **606**, the spring **674** will simply load up, but
will not move the tilt limiter member until the user removes the load, wherein
the spring **674** moves the tilt limiter to the selected position. In this way, the
15 user is provided with pressure release mechanisms for both the forward and
rear tilt limiters. The various drive and follower links can be made of metal or
plastic, or other suitable materials known to those of skill in the art.

In an alternative preferred embodiment, best shown in FIGS. 60 and
63-65, tilt limiter members **1080**, **1082** are pivotally mounted to the tilt
20 housing, and in particular the outer housing **934**, and releasably engage the
back support member **308**. In particular, a forward tilt limiter member **1080**
includes a base portion **1084** pivotally mounted about a substantially
horizontal axis between a pair of rearwardly facing lugs **1086** formed on the
upper housing member **936**. The tilt limiter member **1080** is mounted on a
25 pivot axle **1088** about a pivot axis **1098**, although it should be understood that
such an axle could be formed integrally with the tilt limiter member. The tilt
limiter member includes **1080** a stop arm **1090** extending outwardly, radially
from the base portion **1084**. The tilt limiter member **1080** further includes a
pair of limiter arm members **1092** extending from the base portion and
30 defining a space **1094** therebetween. The tilt limiter member **1080** further
includes a pivot axis opening **1098** spaced apart from the axis in a

substantially parallel relationship therewith. Finally, the tilt limiter member includes a notch **1100** or groove formed on one of the tilt limiter arms **1092** opposite the other of the arms.

In operation, the tilt limiter member **1080** is rotated between a forward tilt position, wherein the stop arm **1090** is pivoted such that it extends over the central portion **1016** of the back support web edge **1014** and engages the top surface of the web **1010**, and a normal operating position, wherein the stop arm **1090** is pivoted downwardly such that the central portion **1016** of the back support engages the base portion **1084** of the tilt limiter member **1080**. The rearwardly facing edge **1102** of the upper housing member **936** is disposed in the space **1094** between the tilt limiting arms **1092**, which define and limit the rotation of the tilt limiter member between the normal and forward tilt positions. In addition, an over-center spring **1104** is mounted to the upper housing member and engages the notch **1100**, and biases the tilt limiter member to one or the other of the normal and forward tilt positions.

Referring to FIGS. 60 and 63, the rearward tilt limiter member **1082** includes a pair of spaced apart stop members **1106** connected with a U-shaped connector **1108** or bridge. The tilt limiter member **1082** is pivotally mounted to the lower housing member **936** about a pivot axis **1110**. In one preferred embodiment, the stop members **1106** each have an inwardly extending pivot member **1112** that are pivotally disposed in a pair of openings **1114** formed on side walls of a center portion **1116** of the upper housing. A pivot member, axially aligned with the pivot members **1112**, is further secured through the outer side wall **966** of the lower housing member and pivotally engages an opening **1118** in the opposite outer sides of the stop members. The pivot members can also be integrally formed with the tilt limiter member. To install the tilt limiter member **1082**, the connector **1108** is flexed such that the pivot members **1112** can be snapped into engagement with the housing member **934**. The outer pivot members can then be installed to pivotally connect the tilt limiter member **1082** to the housing member **936**. The tilt limiter member **1082** further includes an opening **1120** spaced apart from the pivot axis **1110**.

In addition, the tilt limiter member **1082** has a rack **1122**, or a plurality of indexing notches, formed along an outer side portion of the stop members. A detent **1124**, such as a spring, is selectively engaged with one or more of the indexing notches **1122** as the tilt limiter member **1082** is pivoted between
5 various rear tilt positions.

Each stop member **1106** has a stepped profile or contour defining a plurality of steps **1126** and corresponding stop surfaces. In addition, the bottom surface **1128** of the stop member is curved and engages the bottom wall **960** of the housing member **934**, which is shaped to support the bottom
10 surface. In this way, the loads applied to the stop members **1106** by the back support **308** are carried by the housing member **934**, rather than the pivot members **1112**.

In operation, the tilt limiter member **1082** is pivoted between a plurality of tilt limiter positions, wherein the back support side portions **1018**
15 engage one of the steps **1126** of the tilt limiter. In one embodiment, the tilt limiter member has four positions, although other pluralities of steps and positions are suitable.

Referring to FIGS. 60 and 63-65, each tilt limiter member is rotated about a respective pivot axis using an actuator mechanism similar to that
20 described above. The actuator mechanism includes a pair of drive links **1654** matingly engaged with and mounted to a first and second coaxially mounted pivot members **1658**, **1660**, each having a grippable portion, or paddle mounted to an end thereof, with the paddles arranged and configured as described above. The drive links **1654** preferably each include a tubular pivot
25 portion **1662** and an arm **1664** extending laterally therefrom. The arm **1664** includes an opening **1666** formed in an end portion thereof. The first drive link **1654** is inserted through and pivotally engaged with the opening **1006** in one of the side walls **966** of the housing member **934**, with the arm **1666** positioned inside the housing. The drive link **1654** includes an annular flange
30 **1668** that engages the outer surface of the housing side wall **966** and prevents the drive link from being pulled through the opening **1006**. In one

embodiment, wherein the seating structure is configured without a tilt limiter, the drive link **1654** is disabled simply by inserting a fastener through an opening **1670** formed in the annular flange and securing the drive link to the housing in a non-rotatable relationship. A drive shaft **1672** connected to a paddle is inserted into the drive link **1654**. The drive shaft **1672** includes a circumferential groove **1674** that engages the drive link **1654** with a snap fit. On the opposite side of the housing, a second drive link **1654** is inserted through the opening **1006**, with an annular flange engaging the outer surface of the side wall **966** and with the arm **1664** disposed inside the housing. The drive shaft **1672** extends through the pivot member **1658** and the near drive link **1654** and captures the near drive link **1654** and pivot member **1658** and secures them to the housing as the drive shaft **1672** is snap fitted with the drive link **1654** on the opposite side.

The pivot members **1658**, **1660** are rotatably mounted to the housing about a horizontal axis of rotation. It should be understood that the drive links **1654** and pivot members **1658**, **1660** can be mounted about spaced apart, and even non-parallel, axes of rotation.

A first follower link **1700** has a first end pivotally mounted to the drive link **1654** at a first pivot axis. A second end of the follower link is pivotally mounted to the forward tilt limiter member **1080** at the opening **1096**. A second follower link **1702** has a first end pivotally mounted to the drive link **1654** at a first pivot axis. A second end of the follower link **1702** is pivotally mounted to the rear tilt limiter member at the opening **1120**.

In operation, the user rotates the rearward or forward pivot member **1658**, **1660**, for example by gripping a paddle member **1802**, **1804**. As the pivot member **1658**, **1660** is rotated, the drive link **1654** is pivoted, which in turn moves the follower link **1700**, **1702** and the corresponding tilt limiter member **1080**, **1082** to the desired position. A pair of triangular shaped arm members **1083** formed on the tilt limiter member **1082** hold the ends of the follower links in engagement therewith.

As shown in FIGS. 58 and 60, the paddle members **1802**, **1804**, or actuators, are pivotable about the same axis. Preferably, the paddle member **1802**, which controls the forward tilt limiter, is oriented in generally the same orientation as the seat, e.g., in a generally horizontal orientation, while the
5 paddle member **1804**, which controls the rear tilt limiter or the tilt of the back and back, is oriented in generally the same orientation as the back. In addition, the paddle members are arranged adjacent one another in generally the same relationship as the seat and back. In addition, the paddle member **1804** is generally shaped like the back member. In this way, the paddle
10 members **1802**, **1804** provide indicia and are intuitive to the user for control of the rear tilt and forward tilt. Of course, the paddle members, and their orientation and shape, could be suitable for controlling other adjustment mechanisms, and preferably adjustment mechanisms associated with the seat and back respectively.

15 Various aspects of the seating structure are also disclosed in U.S. Provisional Application No. 60/356,478, filed February 13, 2002, and U.S. Provisional Application No. 60/418,483, filed October 15, 2002, the same day as the present application, and entitled "Backrest For A Seating Structure With An Adjustable Sacral Support," both of which are hereby incorporated herein
20 by reference.

Although the present invention has been described with reference to preferred embodiments, those skilled in the art will recognize that changes may be made in form and detail without departing from the spirit and scope of the invention. As such, it is intended that the foregoing detailed description be
25 regarded as illustrative rather than limiting and that it is the appended claims, including all equivalents thereof, which are intended to define the scope of the invention.

What is claimed is:

1. An armrest assembly for a seating structure comprising:
 - a support member comprising an upwardly extending curved spine portion having a first defined curvature;
 - 5 a stem slidably disposed on said support member and comprising a curved portion having a second defined curvature corresponding to and mating with said first curvature of said spine portion, wherein said curved portion of said stem is slideably mated with said curved portion of said spine portion;
 - an armrest supported by said stem; and
 - 10 a latch mechanism moveable between at least an engaged position and a disengaged position, wherein said latch mechanism engages at least one of said stem and said support member to prevent movement therebetween when in said engaged position, and wherein stem is moveable relative to said support member when said latch mechanism is in the disengaged position.
 - 15
2. The invention of claim 1 wherein one of said stem and said spine portion comprise a rack and wherein the latch mechanism is connected to the other of said stem and said spine portion, wherein said latch mechanism comprises a lever pivotably mounted to said other of said stem and said spine portion, said lever pivotable between said engaged and disengaged positions, wherein said lever comprises an engagement portion, wherein said engagement portion is engaged with said rack when said lever is in the engaged position, and wherein said engagement portion is disengaged from said rack when said lever is in the disengaged position.
- 20
- 25
3. The invention of claim 2 wherein said rack is disposed on said spine portion and said lever is pivotably mounted to said stem.
4. The invention of claim 3 wherein said rack comprises a sleeve mounted on said spine portion.
- 30

5. The invention of claim 1 further comprising an index member selectively engaging said at least one of said stem and said support member when said latch mechanism is in the disengaged position.

- 5 6. A method of adjusting the position of an armrest comprising:
providing a support member comprising an upwardly extending curved spine portion having a first defined curvature, and a stem slidably disposed on said support member and comprising a curved portion having a second defined curvature corresponding to and mating with said first curvature of said spine
10 portion, an armrest supported by said stem, and a latch mechanism moveable between at least an engaged position and a disengaged position, wherein said latch mechanism engages at least one of said stem and said support member to prevent movement therebetween when in said engaged position;
moving said latch mechanism to said disengaged position;
15 sliding said curved portion of said stem relative to said curved spine portion while said latch mechanism is in said disengaged position; and
moving said latch mechanism to said engaged position.

7. The invention of claim 6 wherein one of said stem and said spine
20 portion comprise a rack and wherein the latch mechanism is connected to the other of said stem and said spine portion, wherein said latch mechanism comprises a lever pivotably mounted to said other of said stem and said spine portion, wherein said lever comprises an engagement portion, wherein said engagement portion is engaged with said rack when said lever is in the
25 engaged position, and wherein said moving said latch mechanism to said disengaged position comprises pivoting said lever and thereby disengaging said engagement portion from said rack, and wherein said moving said latch mechanism to said engaged position comprises pivoting said lever and thereby engaging said engagement portion with said rack.

8. The invention of claim 7 wherein said rack is disposed on said spine portion and said lever is pivotably mounted to said stem.

5 9. The invention of claim 8 wherein said rack comprises a sleeve mounted on said spine portion.

10 10. The invention of claim 6 further comprising an index member selectively engaging said at least one of said stem and said support member when said latch mechanism is in the disengaged position.

11. An armrest assembly for a seating structure comprising:
a support member;
a stem slidably disposed on said support member and moveable relative to said support member;
15 an armrest supported by said stem;
a latch mechanism moveable between at least an engaged position and a disengaged position, wherein said latch mechanism engages at least one of said stem and said support member to prevent movement therebetween when in said engaged position, and wherein said stem is moveable relative to said support member when said latch mechanism is in the disengaged position; and
20 an index member selectively engaging at least one of said support member and said stem when said latch mechanism is in the disengaged position as said stem is moved relative to said support member.

25 12. The invention of claim 11 wherein said at least one of said support member and said stem comprises a plurality of notches, wherein said index member successively, selectively engages at least one of said plurality of notches as said stem is moved relative to said support member.

30 13. The invention of claim 12 wherein one of said stem and said support member comprise a rack and wherein the latch mechanism is connected to the

other of said stem and said support member, wherein said latch mechanism comprises a lever pivotably mounted to said other of said stem and said support member about a pivot axis, said lever pivotable between said engaged and disengaged positions, wherein said lever comprises an engagement
5 portion, wherein said engagement portion is engaged with said rack when said lever is in the engaged position, and wherein said engagement portion is disengaged from said rack when said lever is in the disengaged position, and wherein said index member is pivotably mounted on said pivot axis.

10 14 The invention of claim 13 wherein said index member further comprises a bumper portion, wherein said bumper portion is engaged with said one of said stem and said support member when said lever is in the engaged position, and wherein said bumper portion is disengaged with said
15 one of said stem and said support member when said lever is in the disengaged position.

15. The invention of claim 13 wherein said rack is disposed on said support member and said lever and said index member are pivotably mounted to said stem.

20 16. The invention of claim 15 wherein said rack comprises a sleeve mounted on said support member, and wherein said sleeve further comprises said plurality of notches.

25 17. A method of adjusting the position of an armrest comprising:
providing a support member, a stem slidably disposed on said support member, an armrest supported by said stem, a latch mechanism moveable
between at least an engaged position and a disengaged position, wherein said latch mechanism engages at least one of said stem and said support member to
30 prevent movement therebetween when in said engaged position, and wherein stem is moveable relative to said support member when said latch mechanism

is in the disengaged position, and an index member selectively engaging at least one of said support member and said stem when said latch mechanism is in the disengaged position;

moving said latch mechanism to said disengaged position;

5 sliding said stem relative to said support member while said latch mechanism is in said disengaged position; and

selectively engaging said at least one of said support member and said stem with said index member as said stem is slid relative to said support member.

10

18. The invention of claim 17 wherein said at least one of said support member and said stem comprises a plurality of notches, and wherein said selectively engaging said at least one of said support member and said stem comprises successively, selectively engaging at least one of said plurality of notches with said index member as said stem is moved relative to said support member.

15

19. The invention of claim 18 wherein one of said stem and said support member comprise a rack and wherein the latch mechanism is connected to the other of said stem and said support member, wherein said latch mechanism comprises a lever pivotably mounted to said other of said stem and said support member, wherein said lever comprises an engagement portion, wherein said engagement portion is engaged with said rack when said lever is in the engaged position, and wherein said moving said latch mechanism to said disengaged position comprises pivoting said lever to said disengaged position and thereby disengaging said engagement portion from said rack, and wherein said index member is pivotably mounted on said pivot axis, and further comprising pivoting said index member from a nonindexing position to an indexing position as said lever is pivoted to said disengaged position.

20

25

30

20. The invention of claim 19 wherein said index member further comprises a bumper portion, wherein said bumper portion is engaged with said one of said stem and said support member when said lever is in the engaged position, and wherein said bumper portion is disengaged with said one of said stem and said support member when said lever is in the disengaged position, and wherein said pivoting said index member from said nonindexing position to said indexing position comprises pivoting said bumper portion from an engaged position to a disengaged position.
21. The invention of claim 19 wherein said rack is disposed on said support member and said lever and said index member are pivotably mounted to said stem.
22. The invention of claim 21 wherein said rack comprises a sleeve mounted on said support member, and wherein said sleeve further comprises said plurality of notches.
23. An armrest assembly comprising:
a platform;
an armrest support moveably supported on said platform, wherein said armrest support is moveable relative to said platform between at least a first position and a second position;
a linear gear disposed on one of said platform and said armrest support and extending in a substantially horizontal direction;
a pinion gear rotatably mounted on the other of said platform and said armrest support about a substantially vertical rotation axis, wherein said pinion gear meshes with said linear gear as said armrest support is moved relative to said platform between said at least said first and second positions.
24. The invention of claim 23 wherein said linear gear comprises first and second linear gears disposed on said one of said platform and said armrest

support, wherein said first and second linear gears are spaced apart in a parallel relationship, and wherein said pinion gear comprises a first and second pinion gear mounted on said other of said platform and said armrest support about spaced apart and parallel first and second substantially vertical rotation axes, wherein said first pinion gear meshes with said first linear gear and with said second pinion gear, and wherein said second pinion gear meshes with said second linear gear and said first pinion gear as said armrest support is moved relative to said platform between said at least said first and second positions.

10

25. The invention of claim 23 further comprising at least one guide member extending from one of said platform and said support member, and a track formed in the other of said platform and said armrest support, wherein said guide member moves within said track as said armrest support is moved relative to said platform between said at least said first and second positions.

15

26. The invention of claim 25 wherein said at least one guide member comprises a first and second guide member extending from said one of said platform and said support member in a spaced apart relationship, and wherein said at least one track comprises a first and second track formed in the other of said platform and said armrest support in a spaced apart relationship.

20

27. The invention of claim 23 further comprising a pawl member moveably mounted on one of said platform and said armrest support, wherein said pawl is moveable between an engaged position, wherein said pawl engages said pinion gear and whereby said pinion gear is prevented from rotating and a disengaged position wherein said pawl is disengaged from said pinion whereby said pinion gear is allowed to rotate.

25

28. The invention of claim 27 further comprising a spring biasing said pawl into said engaged position.

30

29. The invention of claim 23 wherein said platform comprises a first platform and further comprising a second platform disposed adjacent said first platform, wherein one of said first and second platforms comprises a protuberance, and the other of said first and second platforms comprises a plurality of recesses shaped to received said protuberance, and wherein said first platform is pivotally mounted to said second platform about a substantially vertical pivot axis spaced from said protuberance, wherein said first platform is pivotable relative to said second platform about said pivot axis between a plurality of pivot positions corresponding to said plurality of said recesses.

30. The invention of claim 29 wherein said first platform comprises a first member joined to a second member, wherein said one of said pinion gear and said linear gear are formed on said first member, and wherein said one of said protuberance and said plurality of recesses are formed on said second member.

31. A method of adjusting the position of an armrest comprising:
providing a platform, an armrest support moveably supported on said platform and moveable between at least a first position and a second position, a linear gear disposed on one of said platform and said armrest support and extending in a substantially horizontal direction, and a pinion gear rotatably mounted on the other of said platform and said armrest support about a substantially vertical rotation axis; and
moving said armrest support relative to said platform between said at least said first and second position, and thereby meshing said pinion gear with said linear gear.

32. The invention of claim 30 wherein said linear gear comprises first and second linear gears disposed on said one of said platform and said armrest support, wherein said first and second linear gears are spaced apart in a

parallel relationship, and wherein said pinion gear comprises a first and second pinion gear mounted on said other of said platform and said armrest support about spaced apart and parallel first and second substantially vertical rotation axes, and wherein said moving said armrest support relative to said platform between said at least said first and second position comprises meshing said first pinion gear with said first linear gear and with said second pinion gear, and meshing said second pinion gear with said second linear gear and said first pinion gear.

5
10 33. The invention of claim 31 further comprising at least one guide member extending from one of said platform and said support member, and a track formed in the other of said platform and said armrest support, and wherein said moving said armrest support relative to said platform between said at least said first and second position comprises moving said guide member within said track.

15
20 34. The invention of claim 33 wherein said at least one guide member comprises a first and second guide member extending from said one of said platform and said support member in a spaced apart relationship, and wherein said at least one track comprises a first and second track formed in the other of said platform and said armrest support in a spaced apart relationship and wherein said moving said guide member within said track comprises moving said first and second guide members within said first and second tracks respectively.

25
30 35. The invention of claim 31 further comprising providing a pawl member moveably mounted on one of said platform and said armrest support and moving said pawl between an engaged position, wherein said pawl engages said pinion gear whereby said pinion gear is prevented from rotating, and a disengaged position, wherein said pawl is disengaged from said pinion whereby said pinion gear is allowed to rotate.

36. The invention of claim 35 further comprising a spring biasing said pawl into said engaged position.

5 37. The invention of claim 31 wherein said platform comprises a first platform and further comprising a second platform disposed adjacent said first platform, wherein one of said first and second platforms comprises a protuberance, and the other of said first and second platforms comprises a plurality of recesses shaped to received said protuberance, and wherein said
10 first platform is pivotally mounted to said second platform about a substantially vertical pivot axis spaced from said protuberance, and further comprising pivoting said first platform relative to said second platform about said pivot axis between a plurality of pivot positions corresponding to said plurality of said recesses.

15

38. A seating structure comprising:

a primary seat support having a rear portion and a front portion; and
an auxiliary seat support having a rear portion and a front portion,
wherein said rear portion of said auxiliary seat support is connected to said
20 front portion of said primary seat support, said primary and auxiliary seat supports adapted to support the body of a user, wherein at least a portion of said auxiliary seat support is flexible, and wherein said front portion of said auxiliary seat support is moveable between at least a first and second position relative to said rear portion of said auxiliary seat support as said at least said
25 flexible portion of said auxiliary seat support is flexed.

30

39. The invention of claim 38 wherein rear portion of said auxiliary seat support is pivotally connected to said front portion of said primary seat support.

40. The invention of claim 38 further comprising a linkage assembly connecting said front portion of said auxiliary seat support and one of said primary seat support and a housing, wherein said housing supports said primary seat support.

5

41. The invention of claim 40 wherein said linkage assembly comprises a first link pivotally mounted to said front portion of said auxiliary seat support at a first pivot axis and pivotally mounted to a second link at a second pivot axis spaced from said first pivot axis, wherein said second link is pivotally mounted to said one of said primary seat support and said housing at a third pivot axis spaced from said second pivot axis, wherein said second link is pivoted about said third pivot axis between at least a first and second pivot position as said front portion of said auxiliary seat support is moved between said at least said first and second position.

10

15

42. The invention of claim 41 wherein said first link has a track formed therein, and further comprising a guide member mounted to said one of said primary seat support and said housing, wherein said guide member is disposed in said track, wherein said first link moves relative to said guide disposed in said track as said front portion of said auxiliary seat support is moved between said at least said first and second position.

20

43. The invention of claim 42 wherein said track is a curvilinear slot formed in said first link.

25

44. The invention of claim 41 further comprising a lock device comprising a lock arm pivotally mounted to said front portion of said auxiliary seat support at a fourth pivot axis, wherein said lock arm comprises a plurality of notches shaped to releasably engage a latch member mounted on said one of said primary seat support and said housing.

30

45. The invention of claim 44 wherein said lock device further comprises a handle connected to said lock arm, and a spring biasing said lock arm into engagement with said latch member.

5 46. The invention of claim 38 wherein said auxiliary seat support comprises a rim portion and a plurality of laterally extending and longitudinally spaced ribs forming a recess with said rim, and further comprising a pad received in said recess.

10 47. The invention of claim 38 further comprising a one-piece, continuous flexible membrane secured to said primary and said auxiliary seat supports and defining a seat support surface adapted to contact the body of the user.

15 48. The invention of claim 47 wherein said membrane comprises a carrier member secured around at least a portion of a periphery of said membrane, wherein said carrier member is secured to said primary and auxiliary seat supports.

20 49. The invention of claim 40 further comprising a lock device releasably connected between said auxiliary seat support and said at least said one of said primary seat support and said housing in a plurality of lock positions including at least a first and second lock position corresponding to said at least said first and second position of said front portion of said auxiliary seat support, wherein said lock device maintains said position of said front portion of said
25 auxiliary seat support when in one of said plurality of lock positions

50. A method for adjusting the depth of a seating structure comprising:
providing a primary seat support having a rear portion and a front
portion, and an auxiliary seat support having a rear portion and a front portion,
30 wherein said rear portion of said auxiliary seat support is connected to said

front portion of said primary seat support, wherein at least a portion of said auxiliary seat support is flexible; and

5 moving said front portion of said auxiliary seat support between at least a first and second position relative to said rear portion of said auxiliary seat support and thereby flexing said at least said flexible portion of said auxiliary seat support.

10 51. The invention of claim 50 further comprising locking said auxiliary seat support in one of a plurality of positions, including at least said first and second positions.

15 52. The invention of claim 50 further comprising providing a linkage assembly connecting said front portion of said auxiliary seat support and one of said primary seat support and a housing, wherein said housing supports said primary seat support, wherein said linkage assembly comprises a first link pivotally mounted to said front portion of said auxiliary seat support at a first pivot axis and pivotally mounted to a second link at a second pivot axis spaced from said first pivot axis, wherein said second link is pivotally mounted to said one of said primary seat support and said housing at a third pivot axis spaced from said second pivot axis, and wherein said moving said front portion of said auxiliary seat support between at least a first and second position relative to said rear portion of said auxiliary seat support comprises pivoting said second link about said third pivot axis between at least a first and second pivot position.

25 53. The invention of claim 52 wherein said first link has a track formed therein, and further comprising providing a guide member mounted to said one of said primary seat support and said housing, wherein said guide member is disposed in said track, and wherein said moving said front portion of said auxiliary seat support between at least a first and second position relative to

30

said rear portion of said auxiliary seat support comprises moving said first link relative to said guide member as said guide member slides in said track.

54. A seating structure comprising:

5 a seat support comprising a forward portion, a rear portion and
opposite, laterally spaced sides, wherein at least said forward portion is
bendable about a substantially horizontal and laterally extending axis between
at least a first and second position, wherein said forward portion has a greater
curvature when in said second position compared with said first position; and
10 a lock device moveable between at least an engaged position and a
disengaged position, wherein said lock device maintains said seat support in
one of said at least said first and second positions when in said engaged
position, and wherein said seat support is bendable between said at least said
first and second positions when said lock device is in said disengaged position.

15

55. The invention of claim 54 wherein said at least said forward portion
that is bendable defines an upper, convex support surface.

56. A backrest for a seat structure, the backrest comprising:

20 a frame member;
a compliant, resilient back member having a top, a bottom and opposite
sides, wherein said back member is mounted to said frame member, said back
member comprising a lumbar region, a thoracic region disposed above said
lumbar region, and a lower region disposed below the lumbar region, wherein
25 said lumbar region comprises a first array of openings formed therethrough,
said first array comprising a first plurality of staggered, elongated openings,
wherein said first plurality of said first array openings are elongated in a
direction from the top to the bottom of the back member, and wherein said
thoracic region comprises a second array of openings formed therethrough,
30 said second array comprising a second plurality of staggered, elongated
openings, wherein said second plurality of said second array openings are

elongated in a direction from the top to the bottom of the back member, wherein said first plurality of openings have a greater elongation on average than said second plurality of openings.

5 57. The invention of claim 56 wherein said lower region comprises a third array of openings formed therethrough, said third array comprising a third plurality of staggered, elongated openings, wherein said first plurality of openings have a greater elongation on average than said third plurality of openings.

10

58. The invention of claim 56 wherein back member has a first thickness at a center portion of said lumbar region and a second thickness at a peripheral side portion of said lumbar region, wherein said second thickness is greater than said first thickness.

15

59. The invention of claim 56 wherein said back member comprises a peripheral portion defining a periphery of said back member, wherein said peripheral portion comprises a plurality of openings formed therethrough.

20

60. The invention of claim 56 wherein said back member is bowed at said lumbar region.

61. The invention of claim 56 wherein said back member is made of polypropylene.

25

62. The invention of claim 56 wherein said top of said back member comprises a curved portion defining a convex forward body support surface along a peripheral portion of said back member.

63. The invention of claim 56 wherein said frame member is secured to said back member at a pair of spaced apart upper locations and a lower location.

5 64. The invention of claim 63 wherein said upper locations are spaced from said top of said back member.

65. The invention of claim 56 further comprising a lumbar support member connected to said frame and engaging a rear surface of said back member in
10 said lumbar region thereof.

66. The invention of claim 65 wherein said lumbar support member comprises a laterally extending lumbar frame connected to said frame member and a flexible belt member mounted on said lumbar frame and engaging said
15 rear surface of said back member.

67. The invention of claim 66 wherein said lumbar frame is bow shaped.

68. A backrest for a seating structure, the backrest comprising:
20 a frame member comprising an upper support member and a lower support member spaced from said upper support member, said upper support member having opposite shoulder portions;
a fabric member having a front, body-supporting surface and a rear surface and comprising at least one pocket received on said opposite shoulder
25 portions, and wherein said fabric member is connected to said lower support member and extends in tension between said upper and lower support members, and wherein said fabric member comprises a central thoracic region that is free of contact on said rear surface thereof.

69. The invention of claim 68 wherein said frame member comprises a central spine portion and wherein said opposite shoulder portion extend outwardly and forwardly therefrom.

5 70. The invention of claim 68 wherein said frame member further comprises a lumbar support disposed between said upper and lower portions, wherein said lumbar support engages said rear surface of said fabric.

10 71. The invention of claim 70 wherein said lumbar support comprises a frame member having opposite ends and a belt member extending between said opposite ends, and wherein said belt member engages said rear surface of said fabric.

15 72. A backrest for a seat structure, the backrest comprising:
a back member having a top, a bottom and opposite sides, said back member comprising a plurality of openings formed therein, wherein said plurality of openings transition from an obround shape to a peanut-shape to a substantially circular shape between first and second locations between said top and bottom, wherein said second location is spaced above said first
20 location.

73. The invention of claim 72 wherein said plurality of openings further transition from said obround shape to said peanut-shape to said substantially circular shape between said first location and a third location between said top
25 and bottom, wherein said third location is spaced below said first location.

74. A seating structure comprising:
a support housing comprising a wall and a pivot tube extending therethrough;
30 an insert member having an insert portion, wherein said insert member is moveably between a first position, wherein said insert member is not

inserted into said tube, and a second position, wherein said insert member is inserted into said pivot tube with an interference fit, and wherein said pivot tube is expanded from a first shape to a second shape as said insert member is moved from said first position to said second position, and wherein said pivot tube is fixedly secured to said wall when said pivot tube is expanded to said second shape; and

a seating component pivotally mounted on said insert member.

75. A method for assembling a seating structure comprising:

inserting a pivot tube through an opening formed in a support housing; pivotally mounting a seating component on an insert member, wherein said insert member comprises an insert portion; and

pressing said insert portion into said pivot tube with an interference fit and thereby expanding said pivot tube at said opening and fixedly securing said pivot tube to said support housing.

76. The invention of claim 75 wherein said seating component comprises a backrest.

77. A method for assembling a seating structure:

providing a pivot member extending from one of a seating component and a support, wherein said pivot member has an outer arced pivot surface formed at least around a portion of a periphery of said pivot member, wherein said outer pivot surface is defined by a radius and a first diameter and a first center defining a first pivot axis, and a key surface, at least a portion of said key surface formed at a first distance from said center, wherein said first distance is less than said radius;

providing a bearing member on the other of said seating component and said support, said bearing member having an opening defined by an inner arced pivot surface having a second radius, a second diameter, a second center defining a second pivot axis and a mouth having a width, wherein said width

85

is less than said second diameter, wherein said width is less than said first diameter and wherein said width is greater than or equal to a sum of said first distance and said radius;

orienting said pivot member relative to said bearing member such that said at least said portion of said key surface defined by said first distance is substantially perpendicular to said mouth; and

inserting said pivot member through said mouth and into said opening along a path substantially perpendicular to said first and second pivot axes until said first and second pivot axes are substantially coaxial; and

rotating one of said seating component and said support such that said at least said portion of said key surface defined by said first distance is not substantially perpendicular to said mouth.

78. The invention of claim 77 wherein said key surface defines a chord of said outer arced pivot surface.

79. A chair comprising:

a housing comprising a track having a curvilinear support surface formed within a vertical plane;

a back support pivotally connected to said housing about a first horizontal axis; and

a seat support pivotally connected to said back support about a second horizontal axis and moveably supported on said support surface of said track.

80. The invention of claim 79 wherein said seat support comprises a rotatable wheel, wherein said wheel engages said track.

81. The invention of claim 80 wherein said housing comprises a pair of said curvilinear tracks, and wherein said seat support comprises a pair of wheels engaging said tracks respectively.

86

82. The invention of claim 79 wherein at least a portion of said support surface of said track has a convex curvature.

83. A chair comprising:

5

a housing;

a seat support supported by said housing;

at least one leaf spring comprising a first end supported by said housing and a second end biasing said seat support in an upward direction, wherein said at least one leaf spring flexes within a substantially vertical first plane;

10

and

a fulcrum member moveably supported by said housing and having a support surface engaging said at least one leaf spring between said first and second ends, wherein said support surface is not symmetrical about any laterally extending second vertical plane oriented substantially perpendicular to said first plane.

15

84. The invention of claim 83 further comprising a back support pivotally connected to said seat support at a first pivot axis, wherein said at least one leaf spring biases said seat support and said back support in said upward direction.

20

85. A chair comprising:

a housing;

a back support pivotally connected to said housing about a first

25

horizontal axis;

a seat support pivotally connected to said back support about a second horizontal axis;

at least one leaf spring comprising a first end supported by said housing and a second end biasing said back support and said seat support in an upward direction; and

30

87

a fulcrum member moveably supported by said housing and having a curvilinear support surface engaging said at least one leaf spring between said first and second ends, wherein a tangent of any point along said support surface slopes rearwardly and downwardly.

5

86. The invention of claim 85 wherein at least a portion of said support surface forms an arc.

10

87. The invention of claim 86 wherein said arc has a radius of between about 5 inches and 7 inches.

88. A chair comprising:

a housing;

a seat support supported by said housing;

15

at least one leaf spring comprising a first end supported by said housing and a second end biasing said seat support in an upward direction;

a fulcrum member moveably supported by said housing and having a support surface engaging said at least one leaf spring between said first and second ends; and

20

a linkage assembly comprising a first and second link pivotally connected to said housing about a first pivot axis, said first link pivotally and slidably connected to said fulcrum at a second pivot axis spaced from said first pivot axis and said second link pivotally and slidably connected to said fulcrum at a third pivot axis spaced from said first and second pivot axes.

25

89. The invention of claim 88 wherein one of said fulcrum and said first link has a first track, wherein one of said fulcrum and said second link has a second track, and wherein the other of said fulcrum and said first and said links has a first and second guide member disposed in said first and second tracks respectively and defining said second and third pivot axes respectively.

30

90. The invention of claim 89 wherein said fulcrum is moveable in opposite first and second directions, and further comprising an actuator comprising an actuator member moveable in opposite third and fourth directions substantially perpendicular to said first and second directions, wherein said actuator member pivotally and slideably connected to said first and second links at fourth and fifth pivot axes respectively, wherein said fourth pivot axis is spaced from said first and second pivot axis and wherein said fifth pivot axis is spaced from said first and third pivot axis.

91. The invention of claim 90 wherein said actuator further comprises a screw threadably engaging said actuator member, wherein said screw is rotatable in a first and second rotational direction, wherein rotation of said screw in said first direction moves said actuator member in said third direction and wherein said rotation of said screw in said second direction causes said actuator member to move in said fourth direction.

92. The invention of claim 90 wherein one of said actuator member and said first link has a third track, wherein one of said actuator member and said second link has a fourth track, and wherein the other of said actuator fulcrum and said first and said links has a third and fourth guide member disposed in said third and fourth tracks respectively and defining said fourth and fifth pivot axes respectively.

93. The invention of claim 92 wherein said housing comprises a first bracket having a fifth and sixth track, wherein said fifth and sixth tracks are curved, wherein said first and second guide members are slidably disposed in said fifth and sixth tracks respectively.

94. The invention of claim 93 wherein said housing further comprises a second bracket having a seventh and eighth track, wherein said seventh and

eighth tracks are curved, wherein said third and fourth guide members are slidably disposed in said seventh and eighth tracks respectively.

95. The invention of claim 94 wherein said fifth and sixth tracks have a radius substantially equal to the distance between the first and second pivot member and the first pivot axis respectively, and wherein said seventh and eighth tracks have a radius substantially equal to the distance between the third and fourth pivot member and the first pivot axis respectively.

96. A method for assembling a seating structure comprising:
providing an annular bushing having first and second opposite ends and comprising a first annular flange extending radially outward therefrom adjacent said first end thereof;

disposing a plurality of tilt control housing components on said bushing and abutting said first flange with at least one of said plurality of components; and

deforming said second end of said bushing and thereby forming a second annular flange extending radially outward from said bushing; and

capturing said plurality of tilt control housing components between said first and second flanges.

97. A seating structure comprising:

a housing;

a support member pivotally mounted to said housing;

a tilt limiter member moveably mounted to one of said housing and said support member;

a stop member connected to the other of said support member and said housing; and

an actuator mechanism coupled to said one of said housing and said support member, said actuator mechanism comprising a spring having a first and second arm, a drive link pivotally mounted to said one of said housing and

said support member about a first axis and engaging said first arm of said spring at a first location spaced from said first axis, a follower link pivotally mounted to said one of said housing and said support member about a second axis spaced from said first axis and engaging said second arm of said spring at a second location spaced from said second axis, and said follower link pivotally coupled to said tilt limiter member.

98. The invention of claim 97 wherein said actuator mechanism further comprises a coupling link pivotally connected to said follower link at a third axis and pivotally connected to said tilt limiter at a fourth axis spaced from said third axis.

99. The invention of claim 97 wherein support member comprises a bracket, and wherein said drive link and said follower link are pivotally mounted to said bracket, wherein said tilt limiter member is moveably mounted to said support member, and wherein said stop member is connected to said housing.

100. The invention of claim 99 wherein said stop member comprises a plurality of steps, wherein said tilt limiter member is moveable to a plurality of positions wherein said tilt limiter member selectively engages at least one of said plurality of steps when in one of said plurality of positions.

101. The invention of claim 97 wherein said stop member has a downwardly facing stop surface and said tilt limiter has an upwardly facing bearing surface engaging said stop surface.

102. The invention of claim 97 wherein said stop member has at least one upwardly facing stop surface and said tilt limiter has a downwardly facing bearing surface engaging said at least one stop surface.

103. The invention of claim 97 wherein said drive link comprises a rack formed therealong, and an indexing member selectively and releasably engaged with said rack.

5 104. The invention of claim 103 wherein said indexing member comprises a cantilevered spring having a free end selectively and releasably engaged with said rack.

10 105. The invention of claim 97 wherein said actuator mechanism comprises a drive shaft connected to said drive link, wherein said drive shaft is rotatably mounted to said one of said housing and said support member about said first axis, and further comprising a grippable member mounted to an end of said drive shaft.

15 106. The invention of claim 97 wherein said tilt limiter member comprises a first and second tilt limiter member moveably mounted to one of said housing and said support member, wherein said stop member comprises a first and second stop member connected to the other of said support member and said housing, and wherein said actuator mechanism comprises first and second
20 springs each having a first and second arm, spaced apart first and second drive links each pivotally mounted to said one of said housing and said support member about said first axis and engaging said first arm of said first and second springs respectively at first locations on each of said first and second drive links spaced from said first axis, first and second follower links, wherein
25 said first follower link is pivotally mounted to said one of said housing and said support member about said second axis and wherein said second follower link is pivotally mounted to one of said housing and said support member about a third axis spaced from said first axis, wherein said first and second follower links engage said second arms of said first and second springs
30 respectively at second locations on each of said first and second follower links

spaced from said second axis, and said first and second follower links pivotally coupled to said first and second tilt limiter members respectively.

107. The invention of claim 106 wherein said actuator mechanism
5 comprises a first and second drive shaft connected to said first and second drive links respectively, wherein said first and second drive shafts are coaxially and rotatably mounted to said one of said housing and said support member about said first axis.

108. The invention of claim 106 wherein said second and third axes are
10 coaxial.

109. A kit for assembling a seating structure comprising:
a tilt housing having a plurality of connector arrangements comprising
at least a first and second connector arrangement;
15 a first seating arrangement having a first mounting arrangement configured to be connected to said first connector arrangement; and
a second seating arrangement having a second mounting arrangement configured to be connected to said second connector arrangement.

110. The invention of claim 109 wherein said first seating arrangement
20 comprises a seat pivotally connected to a back at a first pivot axis, wherein said first mounting arrangement comprises a first pivot structure formed on said back, and wherein said first connector arrangement comprises a second pivot structure configured for pivotal connection to said first pivot structure.

111. The invention of claim 110 wherein said first mounting arrangement
25 further comprises a third pivot structure formed on said seat, and wherein said first connector arrangement comprises a fourth pivot structure configured for pivotal connection to said third pivot structure.

112. The invention of claim 111 wherein said fourth pivot structure comprises a guide configured to translatably support said third pivot structure.

5 113. The invention of claim 112 wherein said guide comprises a fender connected to said tilt housing.

114. The invention of claim 109 wherein said first seating arrangement comprises a seat connected to a back, wherein said first mounting arrangement comprises a linkage assembly pivotally connected to at least one of said seat and back and defining a first plurality of pivot structures, and wherein said
10 first connector arrangement comprises a second plurality of pivot structures, wherein said first plurality of pivot structures is configured for pivotal connection to said second plurality of pivot structures.

15 115. The invention of claim 109 wherein said first connector arrangement and said first mounting arrangement form a three-bar slide configuration, and wherein said second connector arrangement and said second mounting arrangement form a four-bar configuration.

20 116. A method of assembling a seating structure comprising:
providing a tilt housing having a plurality of connector arrangements comprising at least a first and second connector arrangement;
selecting one of a first and second seating arrangements, wherein said
first seating arrangement comprises a first mounting arrangement configured
25 to be connected to said first connector arrangement, and wherein said second seating arrangement comprises a second mounting arrangement configured to be connected to said second connector arrangement; and
connecting said selected one of said first and second seating arrangements to said tilt housing.

117. The invention of claim 116 wherein said selecting said one of said first and second seating arrangements comprises selecting said first seating arrangement, wherein said first seating arrangement comprises a seat pivotally connected to a back at a first pivot axis, wherein said first mounting arrangement comprises a first pivot structure formed on said back, and wherein said first connector arrangement comprises a second pivot structure formed on said tilt housing, and wherein said connecting said selected one of said first and second seating arrangements to said tilt housing comprises pivotally connecting said first pivot structure to said second pivot structure.

118. The invention of claim 117 wherein said first mounting arrangement further comprises a third pivot structure formed on said seat, and wherein said first connector arrangement comprises a fourth pivot structure, and wherein said connecting said selected one of said first and second seating arrangements to said tilt housing further comprises pivotally connecting said third pivot structure to said fourth pivot structure.

119. The invention of claim 118 wherein said fourth pivot structure further comprises a guide configured to translatably support said third pivot structure.

120. The invention of claim 119 wherein said guide comprises a fender connected to said tilt housing.

121. The invention of claim 116 wherein said selecting said one of said first and second seating arrangements comprises selecting said first seating arrangement, wherein said first seating arrangement comprises a seat connected to a back, wherein said first mounting arrangement comprises a linkage assembly pivotally connected to at least one of said seat and back and defining a first plurality of pivot structures, and wherein said first connector arrangement comprises a second plurality of pivot structures, wherein said connecting said selected one of said first and second seating arrangements to

said tilt housing comprises pivotally connecting said first plurality of pivot structures to said second plurality of pivot structures.

5 122. The invention of claim 116 wherein said first connector arrangement and said first mounting arrangement form a three-bar slide configuration, and wherein said second connector arrangement and said second mounting arrangement form a four-bar configuration.

10 123. A seating structure comprising:
a tilt housing having a support surface;
a back support pivotally connected to said tilt housing about a first pivot axis; and
a tilt limiter pivotally connected to said tilt housing about a second pivot axis, said tilt limiter having a bearing surface spaced from said second pivot axis, said bearing surface supported by said support surface of said tilt housing.

15 124. A seating structure comprising:
a tilt housing;
20 a back support pivotally connected to said tilt housing about a first pivot axis, wherein said back support is pivotable about said first pivot axis in a first and second direction, said back support having a forwarding facing edge and a top and bottom surface formed along said edge;
a forward tilt limiter pivotally connected to said tilt housing about a
25 second pivot axis, said forward tilt limiter pivotable between at least a first and second forward tilt position, wherein said forward tilt limiter engages said top surface of said back support when in at least one of said first and second forward tilt positions and thereby limits the pivoting of said back support in said first direction;
30 a rear tilt limiter pivotally connected to said tilt housing about a third pivot axis, said rear tilt limiter pivotable between at least a first and second

rear tilt position, wherein said rear tilt limiter engages said bottom surface of said back support when in at least one of said first and second rear tilt positions and thereby limits the pivoting of said back support in said second direction.

5

125. A seating structure comprising:

a tilt housing;

a seating structure pivotally connected to said tilt housing;

a biasing member applying a biasing force to said seating structure as

10 said seating structure is pivoted relative to said tilt housing;

an adjustment mechanism operably connected to said biasing member, wherein said adjustment mechanism is operable to adjust said biasing force applied by said biasing member, said adjustment mechanism comprising a gear housing removably disposed in said tilt housing and rotatably connected to said tilt housing about an axis, said gear housing comprising first and second locator portions abutting said tilt housing, wherein said first locator portion prevents said gear housing from moving relative to said tilt housing in a first direction, and wherein said second locator portion prevents said gear housing from rotating relative to said tilt housing about said axis.

15
20

126. The invention of claim 125 wherein said first locator portion further prevents said gear housing from moving relative to said tilt housing in a second direction substantially perpendicular to said first direction.

25

127. The invention of claim 126 wherein said biasing member applies a force to said gear housing and thereby prevents said gear housing from moving in a third direction substantially perpendicular to said first and second directions.

30

128. The invention of claim 127 wherein said adjustment mechanism comprises a drive shaft extending from said gear housing, wherein said drive

shaft is coupled to a fulcrum member, wherein said biasing member comprises a leaf spring engaging said fulcrum member.

5 129. The invention of claim 125 wherein said adjustment mechanism comprises first and second meshing gears disposed in said gear housing.

130. A method of assembling a seating structure comprising:
providing a tilt housing and a seating structure pivotally connected to said tilt housing;
10 rotatably connecting a gear housing to said tilt housing about an axis;
abutting a first locator portion of said gear housing against said tilt housing so as to prevent said gear housing from moving relative to said housing in a first direction; and
abutting a second locator portion of said gear housing against said tilt
15 housing so as to prevent said gear housing from rotating about said axis.

20 131. The invention of claim 130 wherein said first locator portion further prevents said gear housing from moving relative to said tilt housing in a second direction substantially perpendicular to said first direction.

25 132. The invention of claim 130 further comprising installing a biasing member and thereby applying a biasing force to said seating structure as said seating structure is pivoted relative to said tilt housing, and applying a force with said biasing member to said gear housing so as to thereby prevent said gear housing from moving in a third direction substantially perpendicular to
said first and second directions.

30 133. The invention of claim 132 further comprising providing a drive shaft extending from said gear box, wherein said drive shaft is coupled to a fulcrum member, wherein said biasing member comprises a leaf spring engaging said fulcrum member, and wherein said applying said force with said biasing

member to said gear housing comprises applying said force with said biasing member to said gear housing by way of said fulcrum and said drive shaft.

134. A support member for a seating structure component, support member
5 comprising:

a first support member having a first plurality of spaced apart fins;

a second support member having a second plurality of spaced apart
fins;

10 wherein said first support member is secured to said second support member with said first plurality of fins nested between said second plurality of fins.

135. The invention of claim 134 further comprising a back member
15 connected to at least one of said first and second support members.

136. The invention of claim 134 further comprising a back support member
moveably coupled to at least one of said first and second support members.

137. The invention of claim 136 wherein said first and second support
20 members form a gap therebetween, wherein said back support member comprises a engaging member disposed through said gap.

138. The invention of claim 137 wherein said back support member
25 comprises a lumbar support.

139. A seating structure comprising:

a base;

a seat supported by said base and moveable between a normal tilt
position and a forward tilt position;

30 a backrest supported by said base and moveable between a normal position and at least one rear tilt position;

a forward tilt limiter coupled to at least one of said seat and backrest to limit the movement of the seat between the normal and forward tilt positions, said forward tilt limiter moveable between a normal setting and a forward tilt setting;

5 a rear tilt limiter coupled to at least one of the seat and backrest to limit the movement of the backrest between the normal and the at least one rear tilt position, said rear tilt limiter moveable between a normal setting and at least one rear tilt setting;

10 a forward tilt actuator coupled to the forward tilt mechanism, wherein said forward tilt actuator is oriented in generally the same orientation as the seat, and wherein the position of the forward tilt actuator is indicative of the setting of the forward tilt limiter; and

15 a rear tilt actuator coupled to the rear tilt mechanism, wherein said rear tilt actuator is oriented in generally the same orientation as the backrest, wherein the position of the rear tilt actuator is indicative of the setting of the rear tilt limiter, and wherein said rear tilt actuator is positioned adjacent said forward tilt actuator in generally the same relationship as the seat and backrest.

20 140. The invention of claim 139 wherein said rear tilt actuator has generally the same shape as the backrest.

141. The invention of claim 139 wherein said forward tilt actuator has generally the same shape as the seat.

25

142. A control device for an adjustable seating structure, the control device comprising:

30 a first adjustment control positioned in an orientation approximating a seating member, said first adjustment control moveable about a horizontal axis;

a second adjustment control positioned adjacent the seat adjustment control in an orientation approximating a backrest member, said second adjustment control moveable about said horizontal axis, wherein said first adjustment control and said second adjustment control in combination
5 generally resemble a seating structure.

143. The invention of claim 142 wherein said second adjustment control is generally shaped like the backrest member.

10 144. The invention of claim 142 wherein said first adjustment control is coupled to a forward tilt limiter, and wherein said second adjustment control is coupled to a rear tilt limiter.

145. A kit for assembling a seating structure comprising:
15 a back member;
a back support member;
a first support configuration adapted to be coupled to said back support member and adapted to support said back member; and
a second support configuration adapted to be coupled to said back
20 support member and adapted to support said back member, wherein said second support configuration provides different support to said back member when coupled to said back support member than said first support configuration.

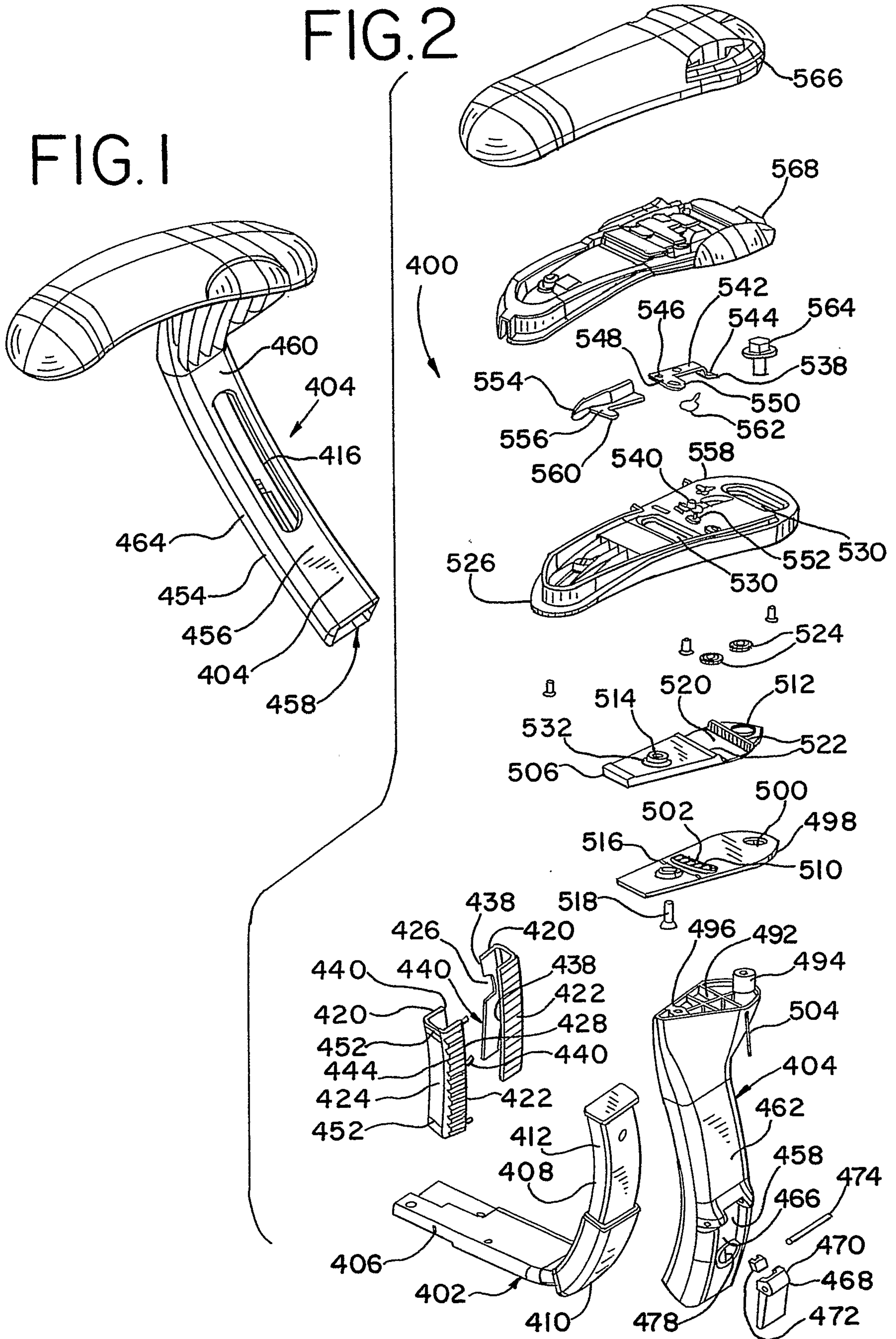
25 146. The invention of claim 145 wherein said first and second support configurations are each adapted to be adjustable coupled to said back support member.

30 147. The invention of claim 146 wherein said back support member comprises a spine member, and wherein said first and second support configurations are adapted to be slidably mounted on said spine member.

148. A method of assembling a seating structure comprising:
providing a back member, a back support member, a first support
configuration and a second support configuration, wherein said second support
5 configuration is different than said first support configuration;
selecting one of said first and second support configurations;
coupling said selected one of said first and second support
configurations to said back support member; and
10 supporting said back member with said selected one of said first and
second support configurations.

149. The invention of claim 148 wherein said coupling said selected one of
said first and second support configurations to said back support member
comprises adjustably coupling said selected one of said first and second
15 support configurations to said back support member.

150. The invention of claim 149 wherein said back support member
comprises a spine member, and wherein said adjustably coupling said selected
one of said first and second support configurations to said back support
20 member comprises slidably mounting said selected one of said first and second
support configurations on said spine member.



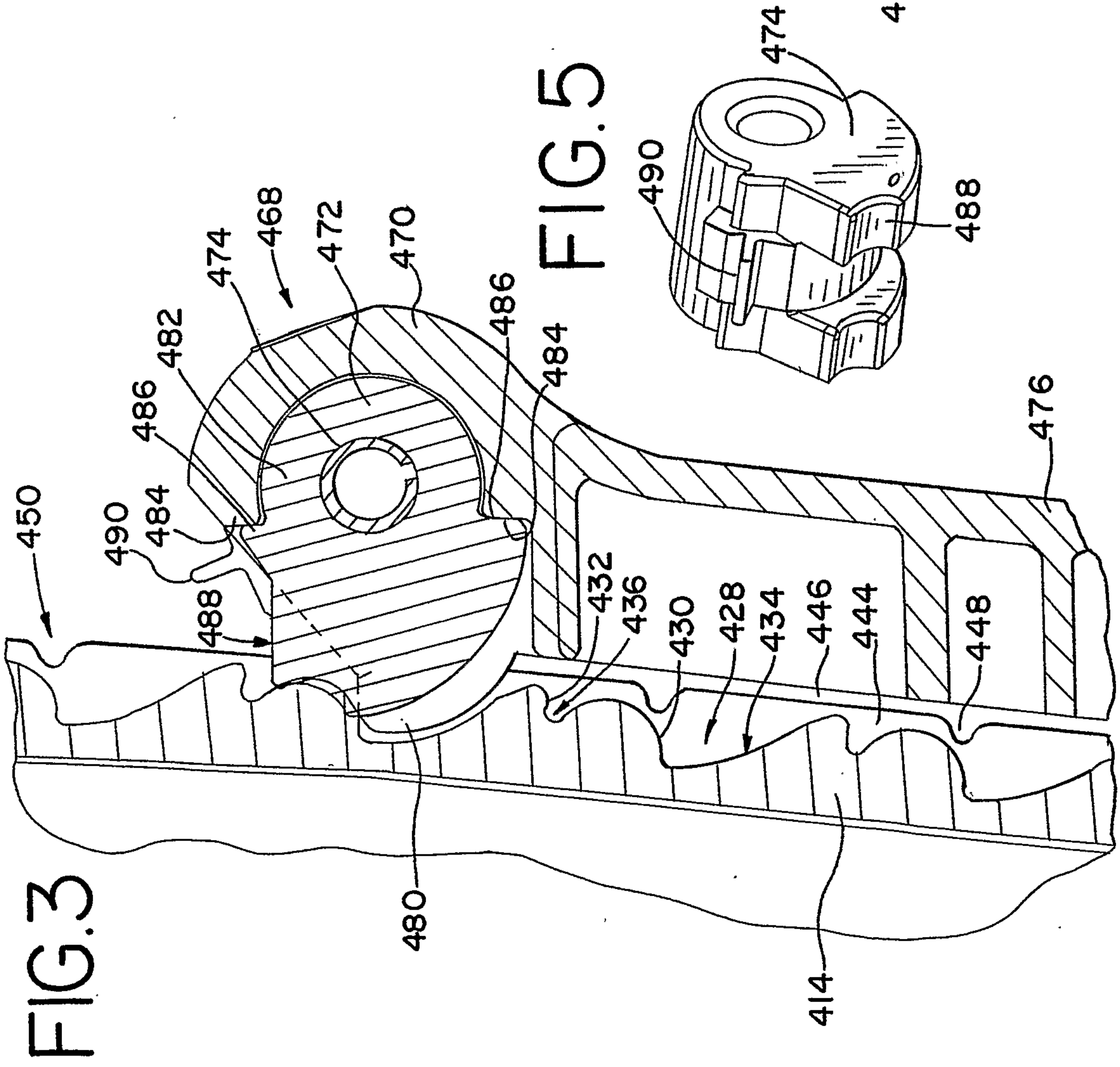
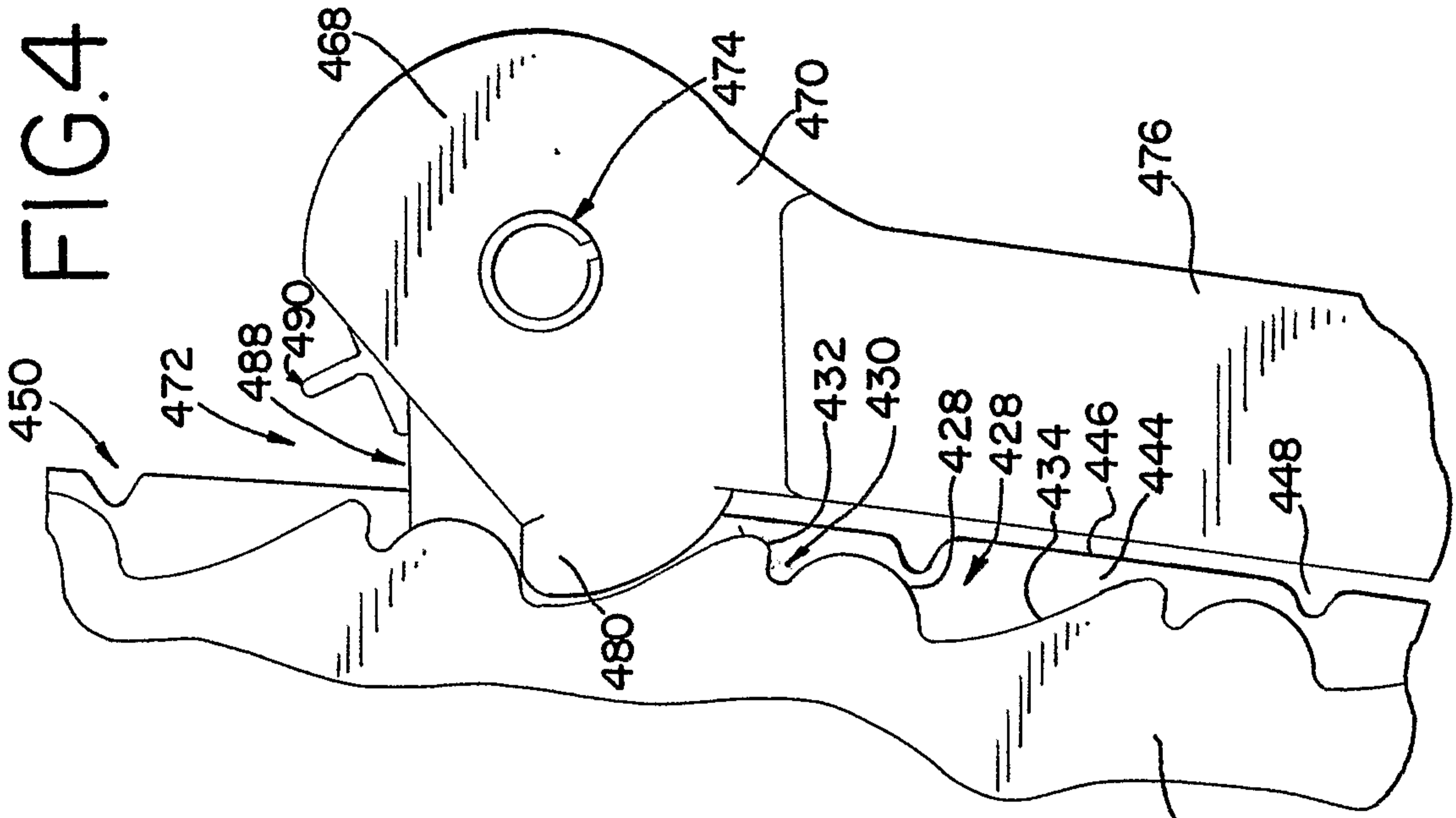


FIG. 4

FIG. 5

FIG. 3

FIG. 6

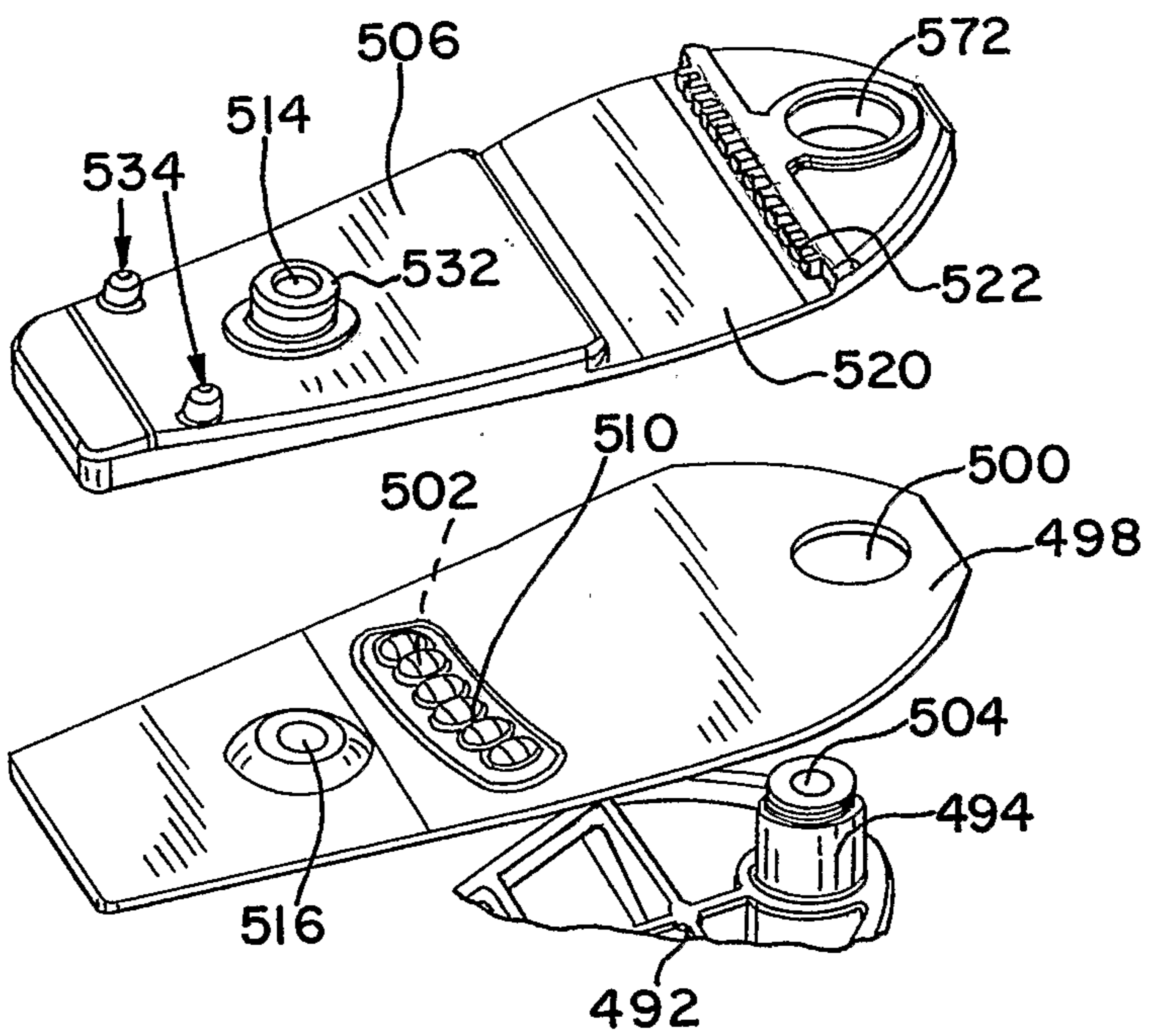
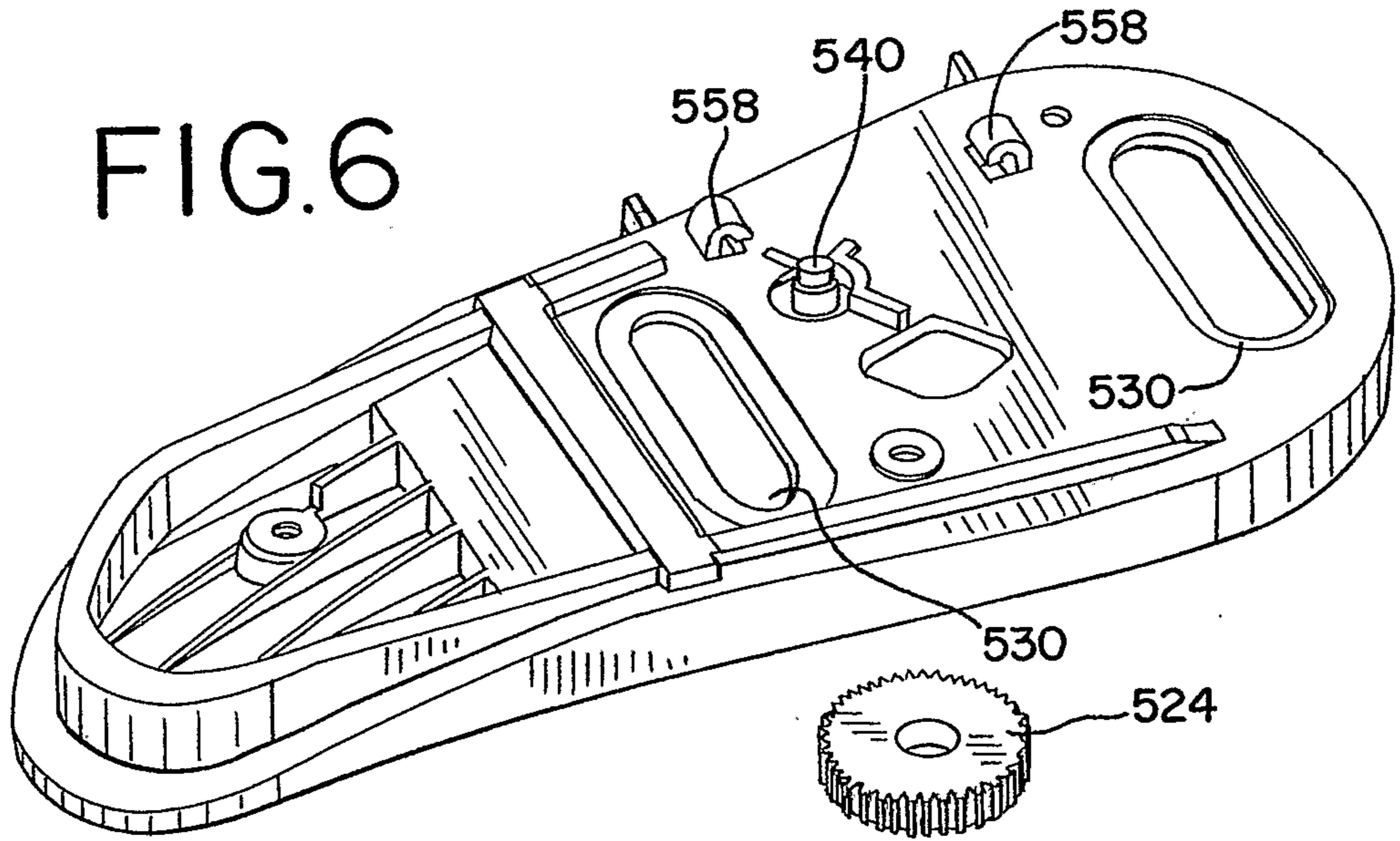


FIG. 7

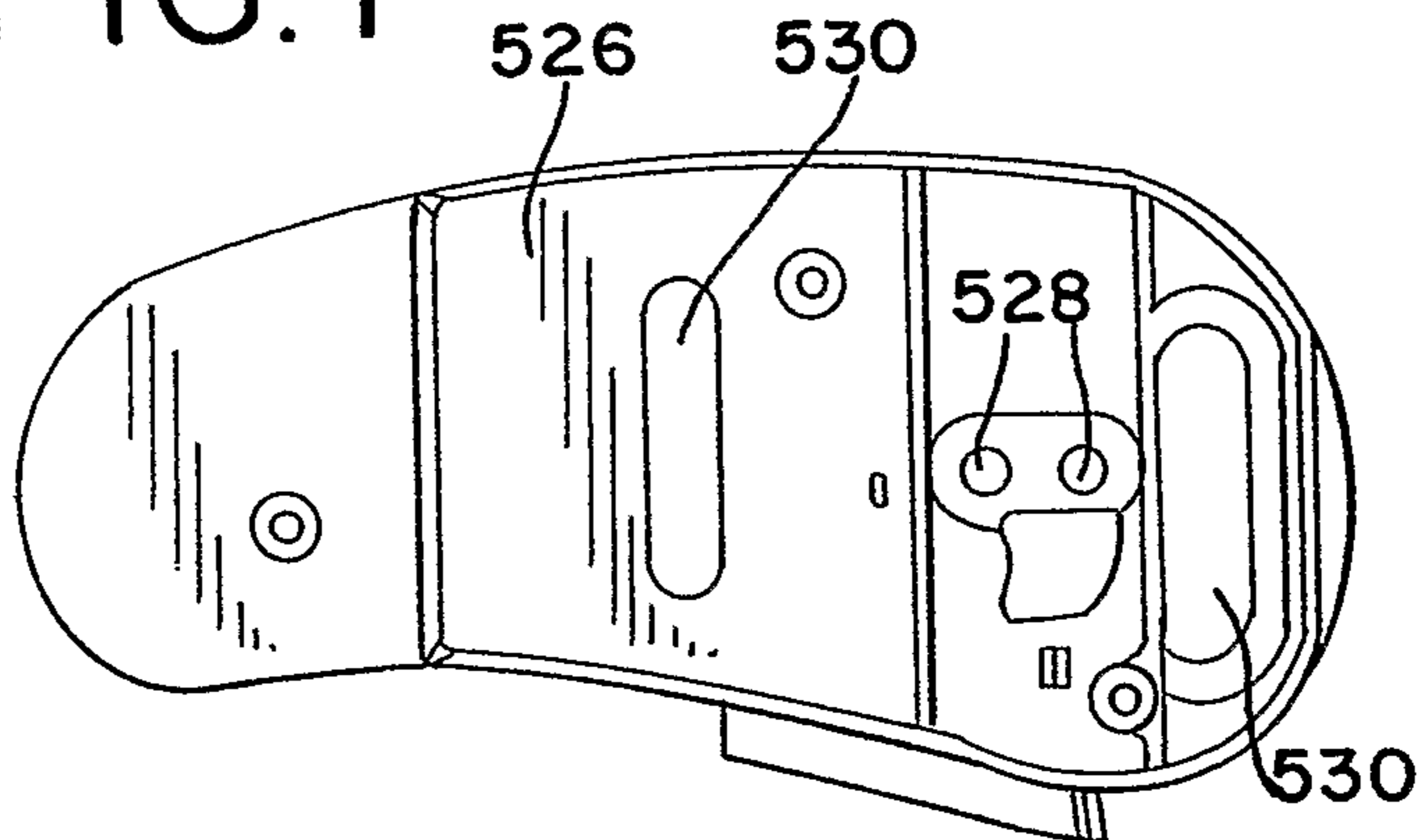
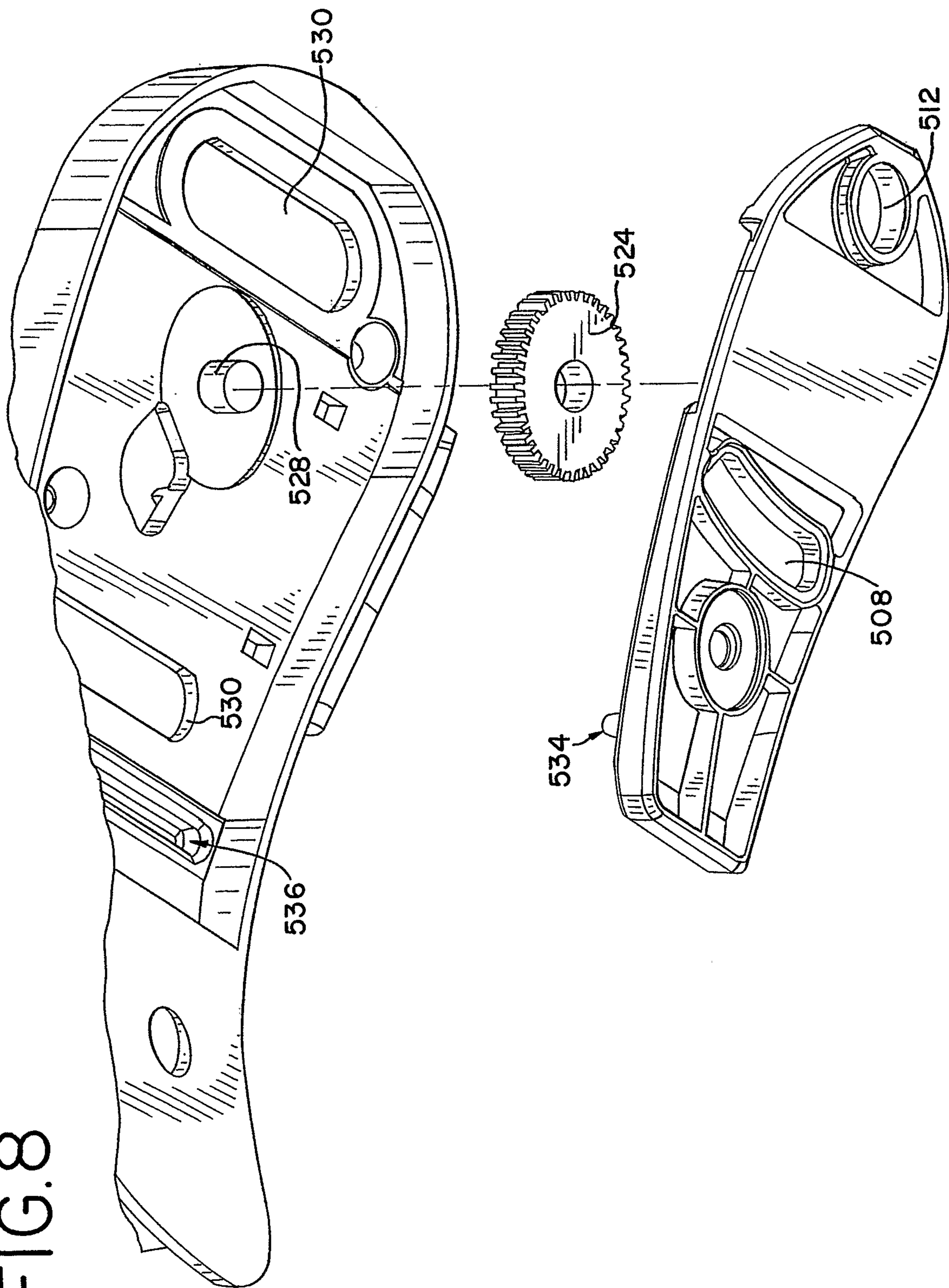


FIG. 8



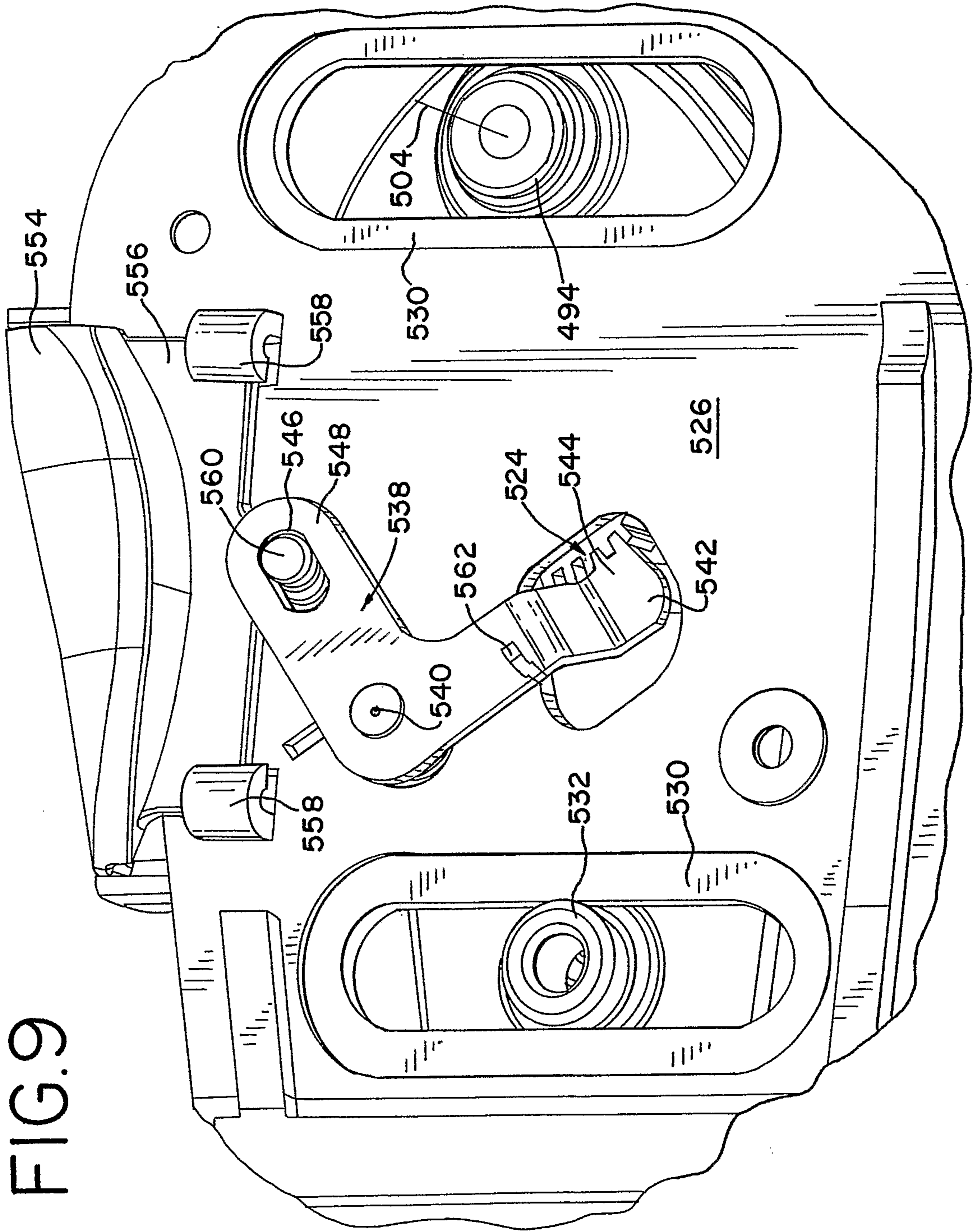


FIG. 9

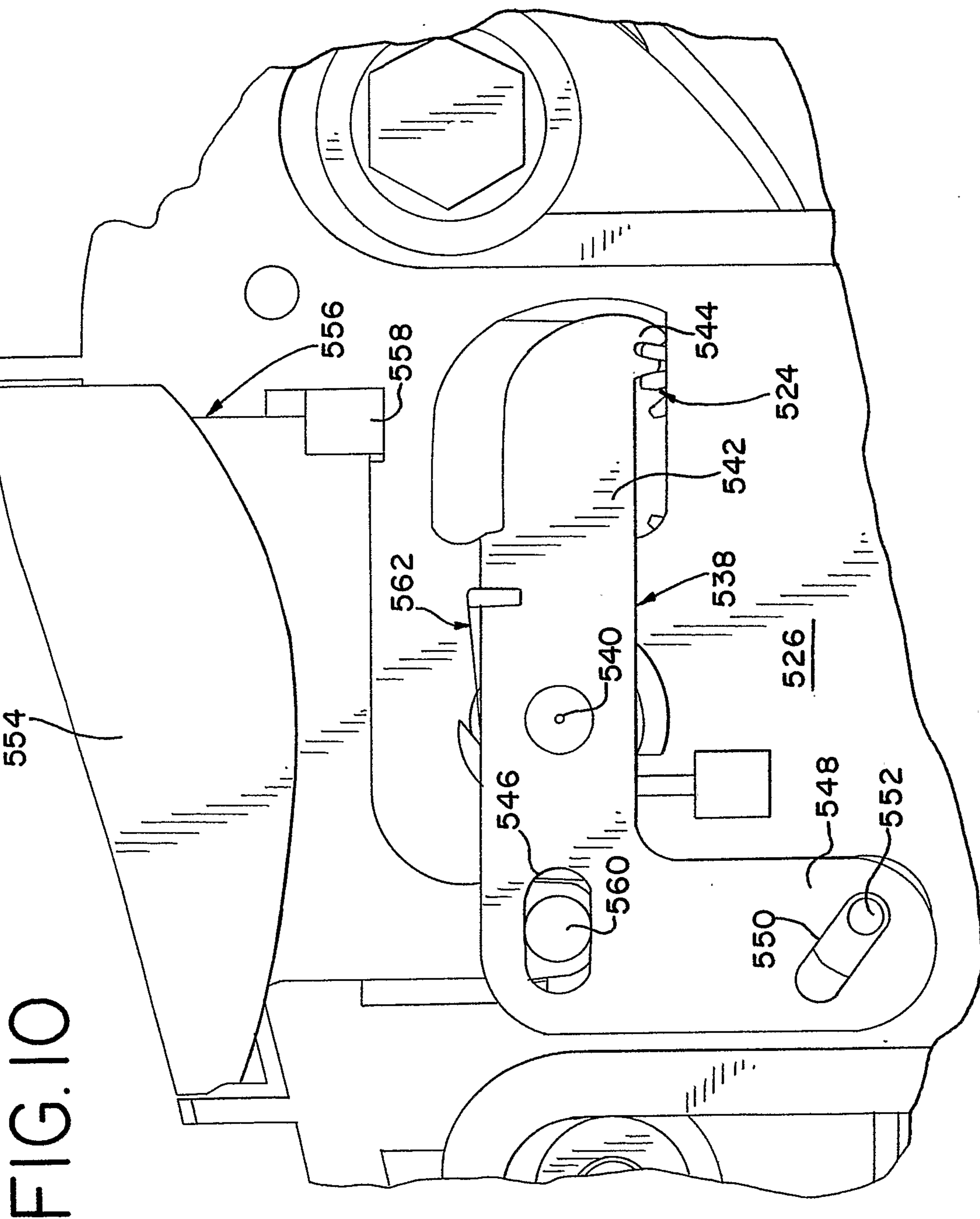


FIG. II

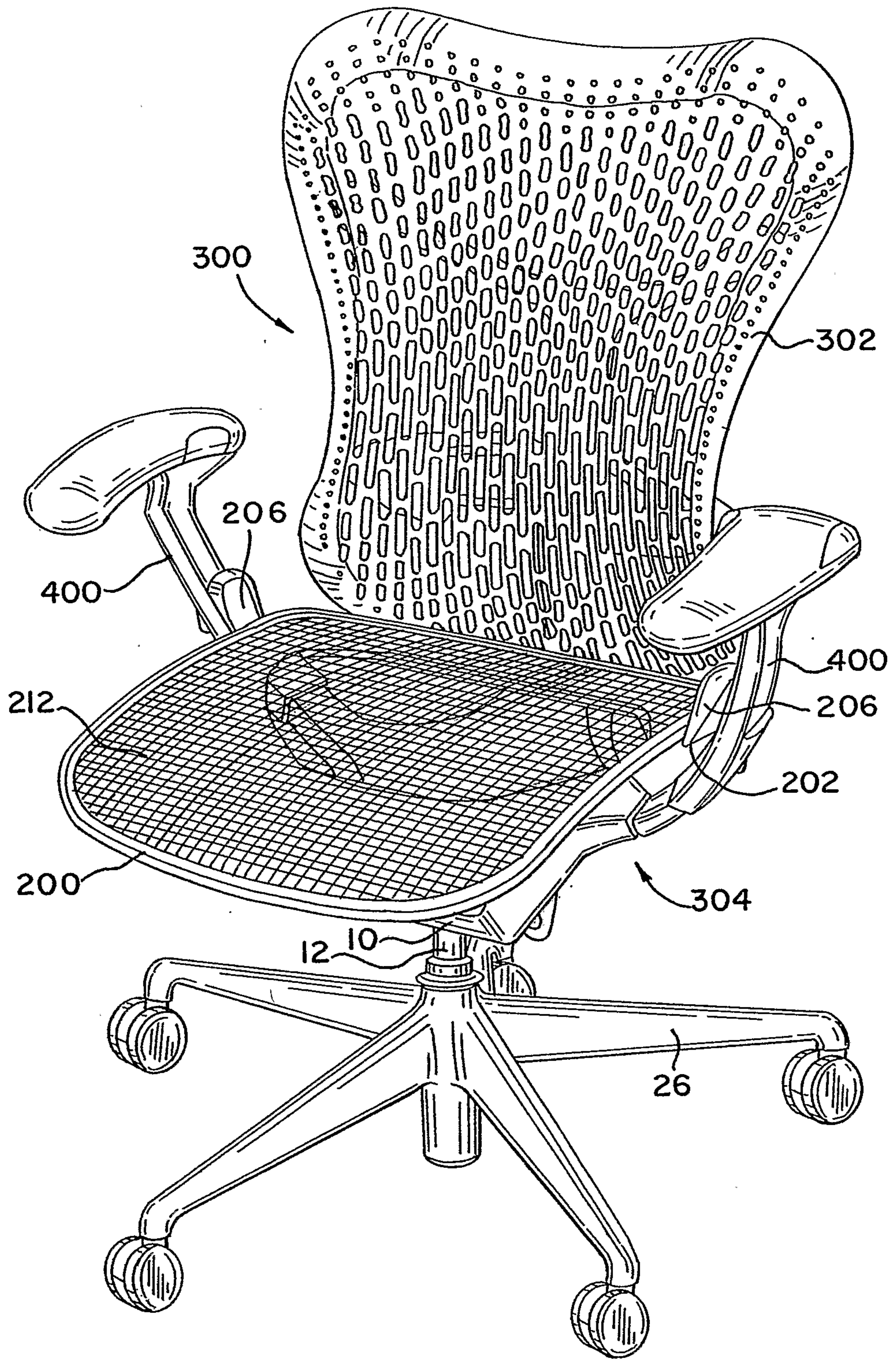


FIG.12

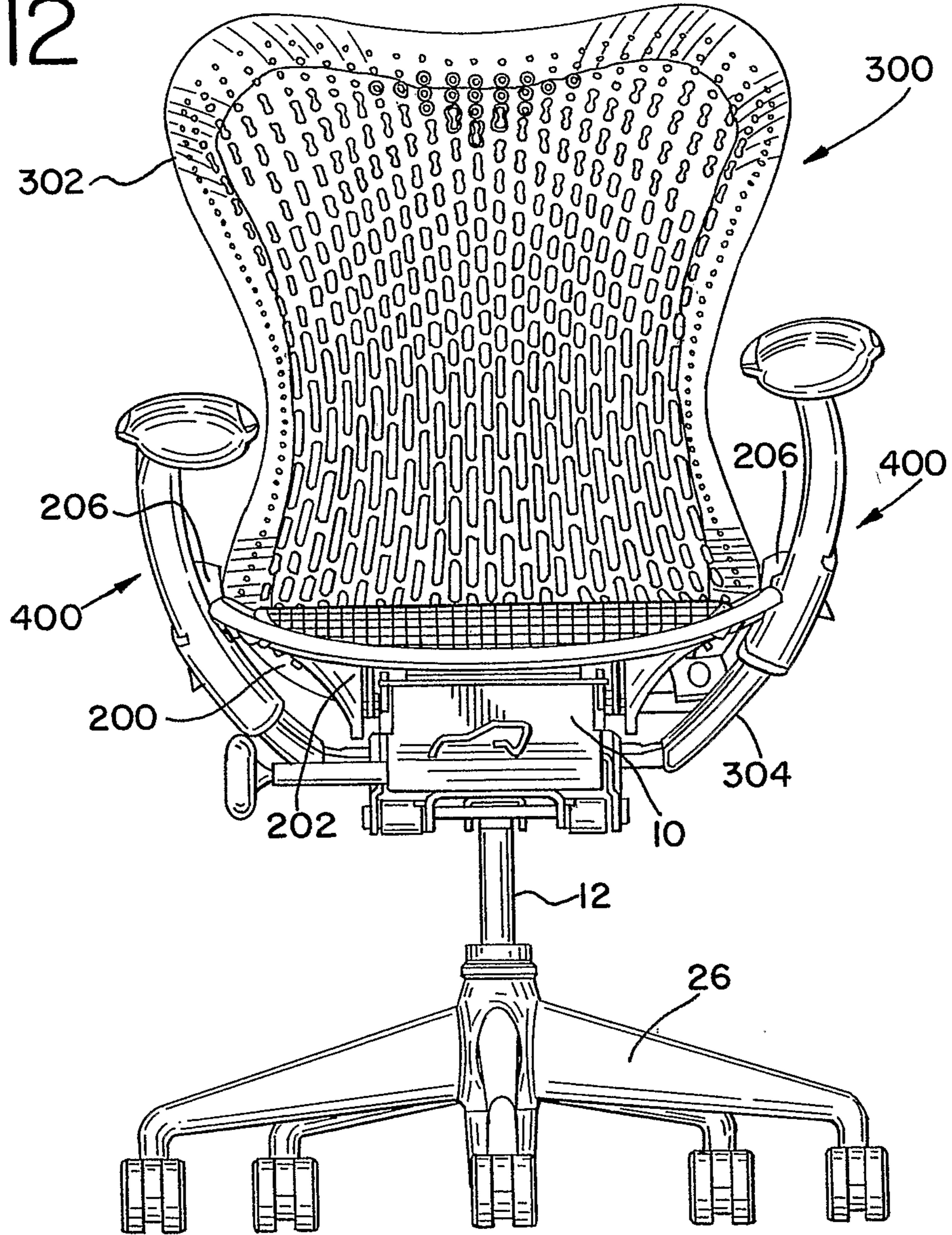


FIG.21

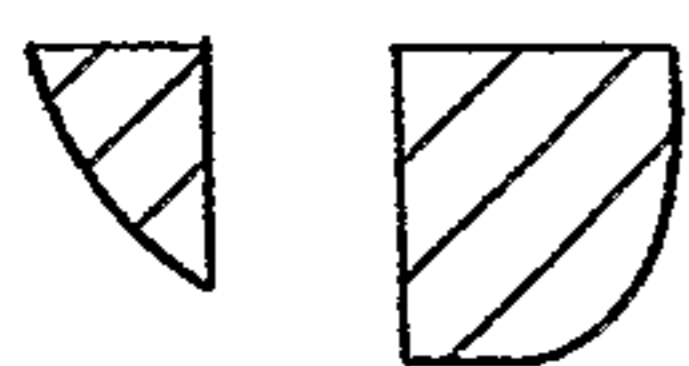
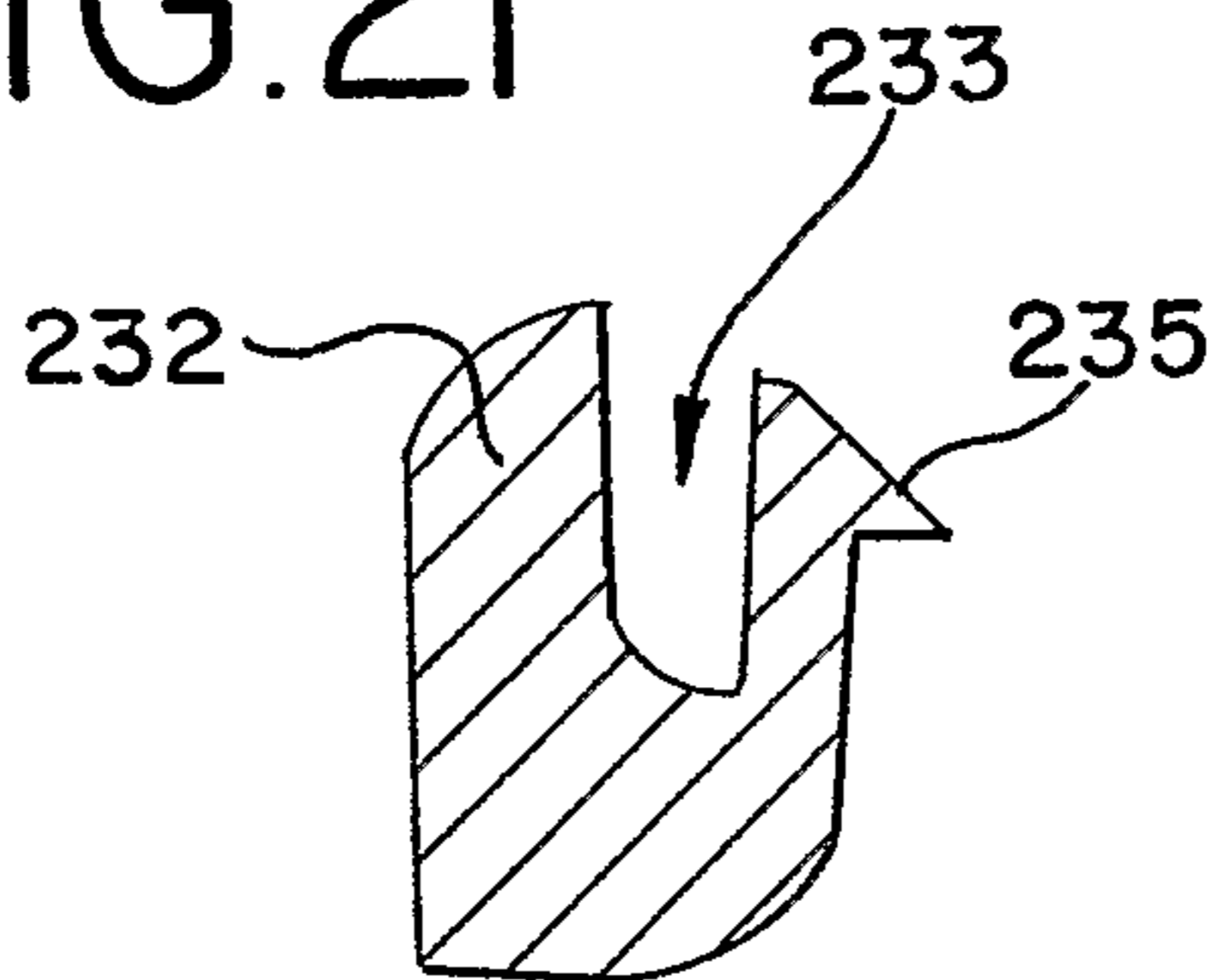


FIG.22

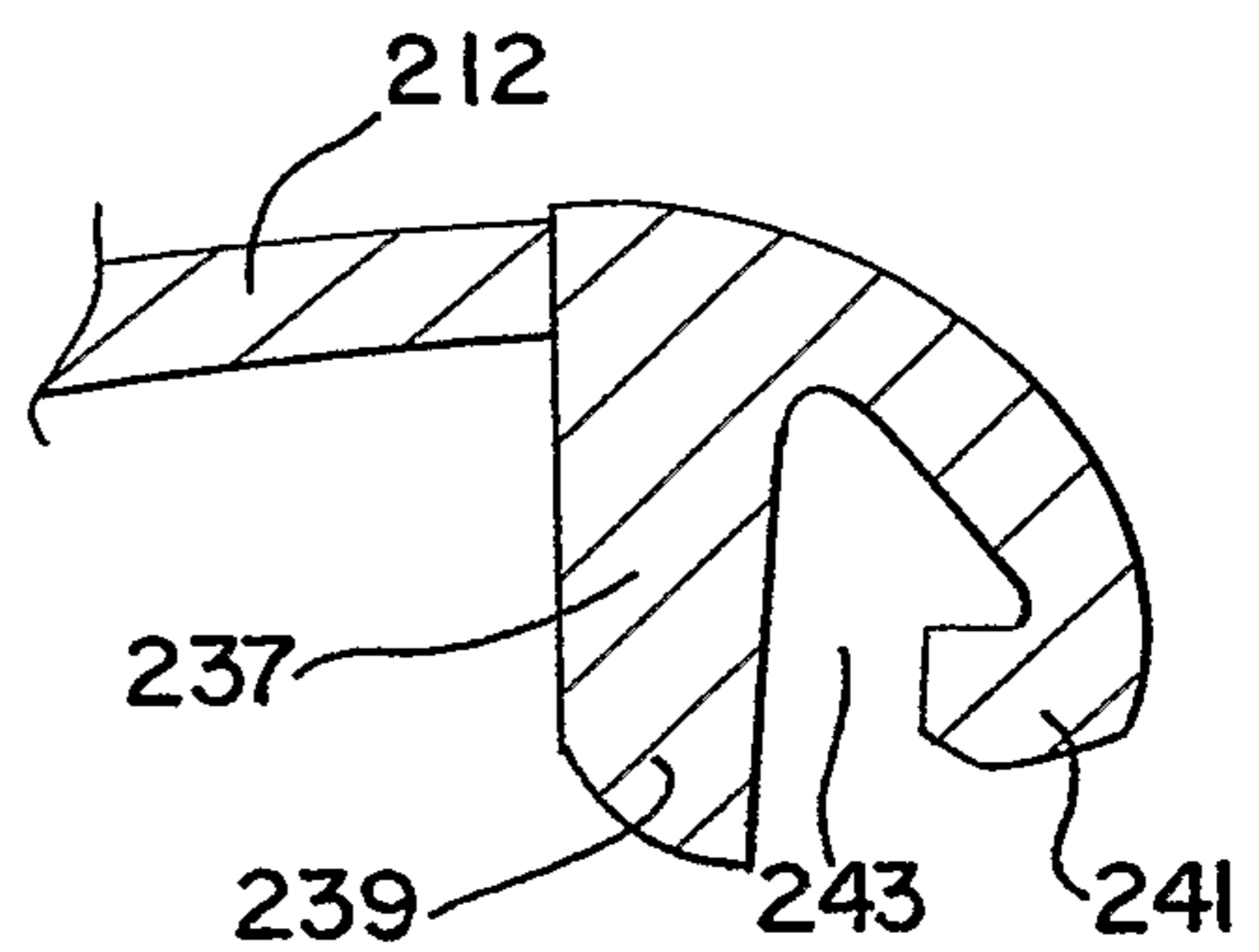


FIG.13

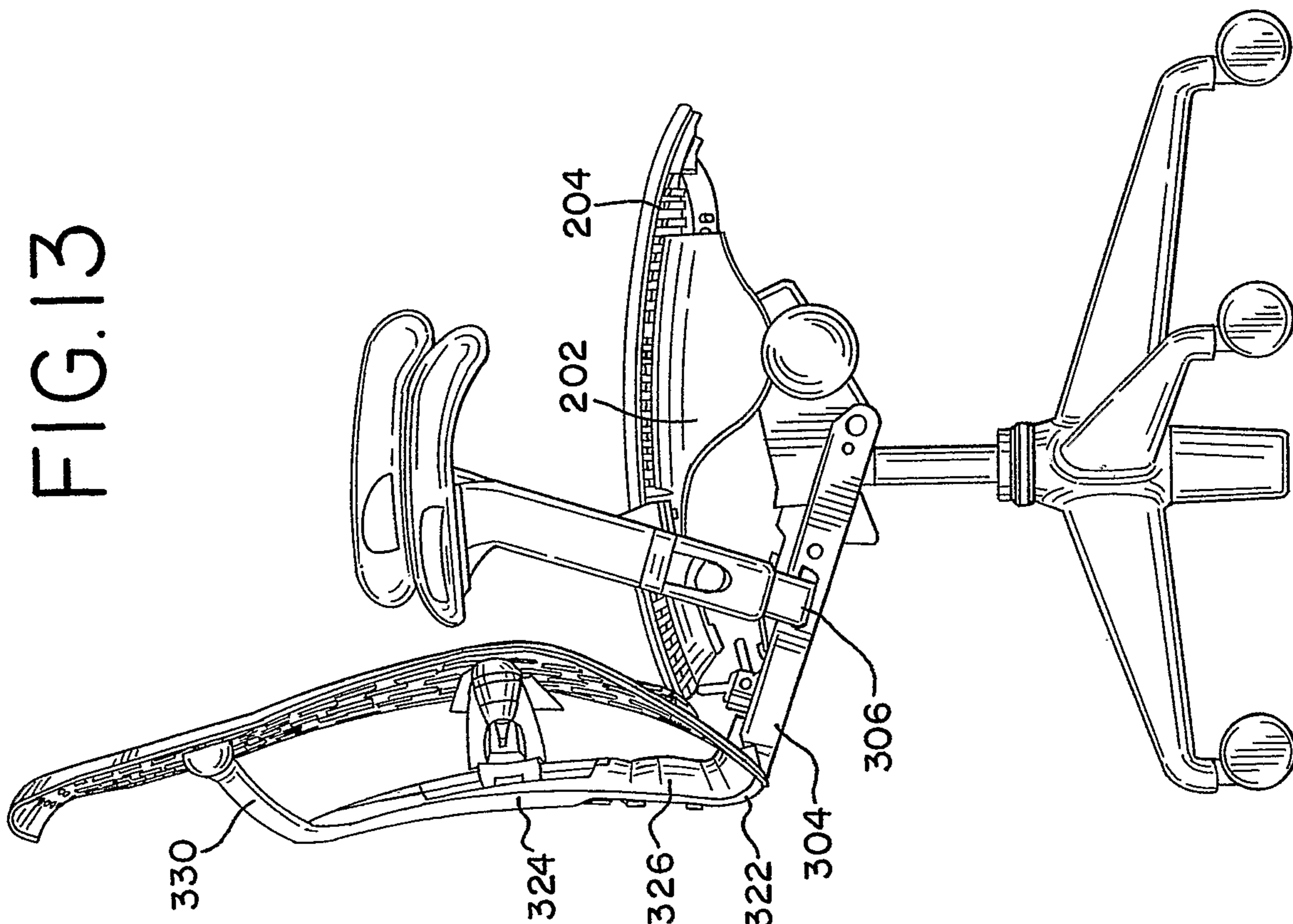


FIG.14

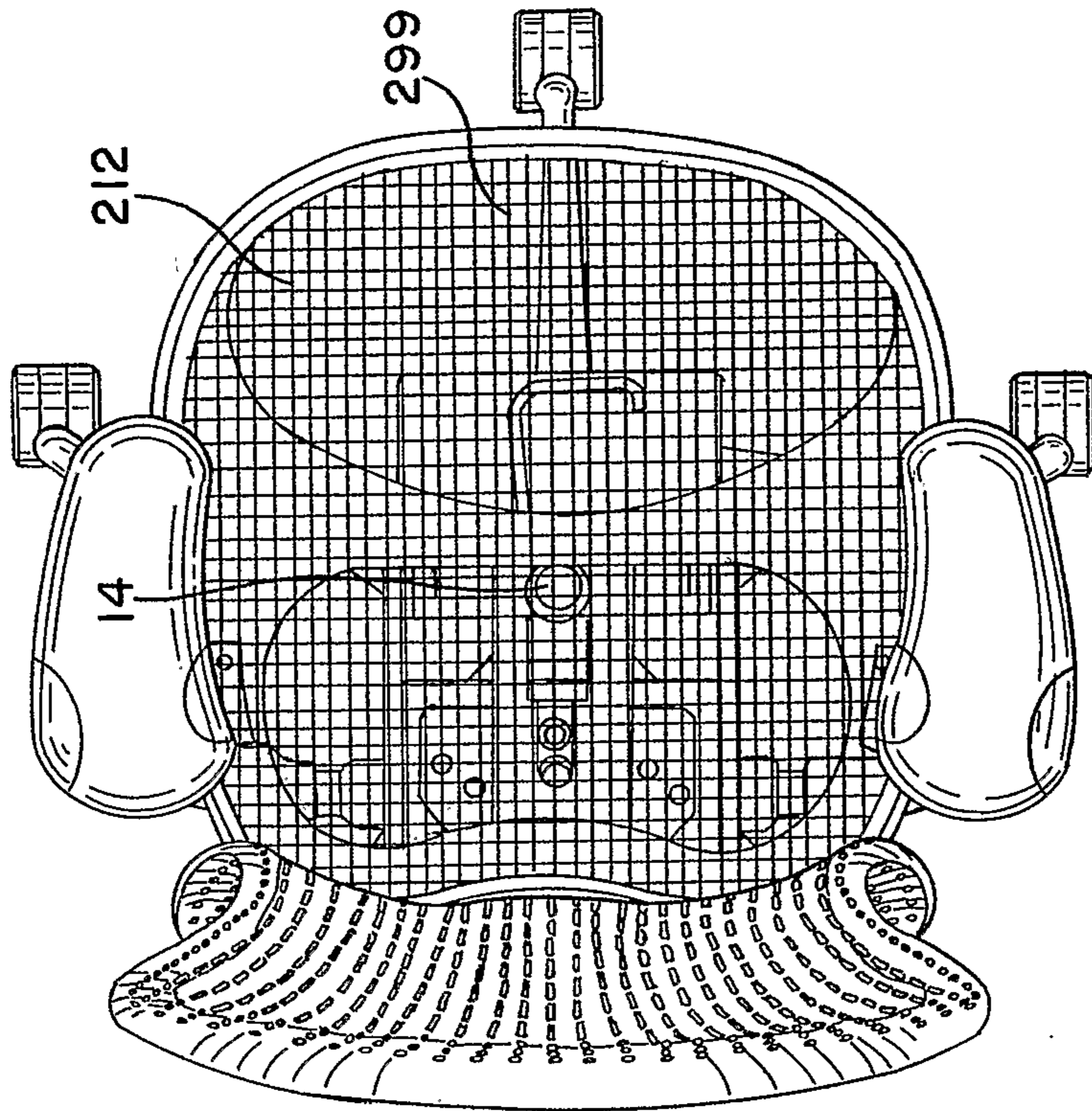


FIG. 15

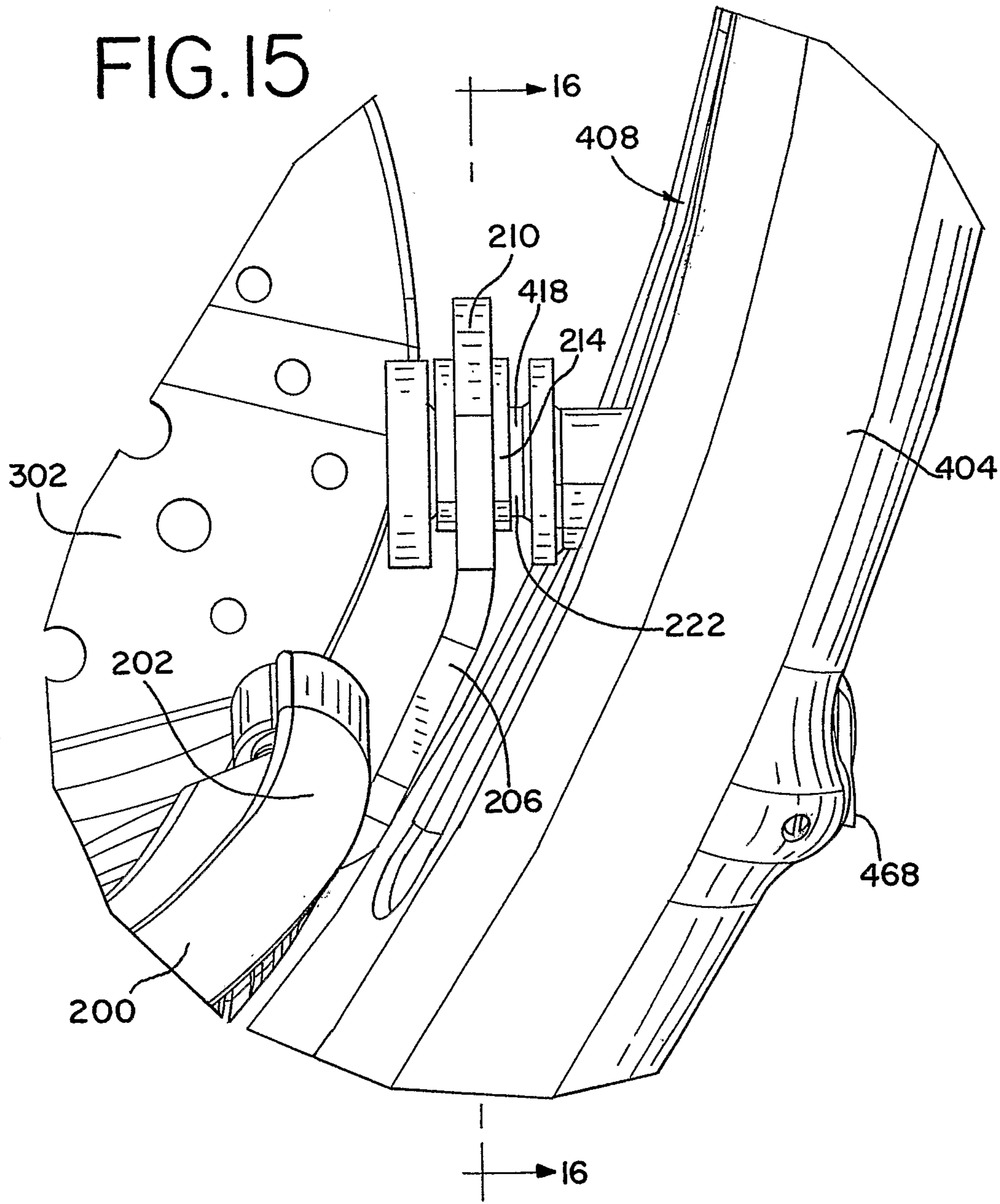
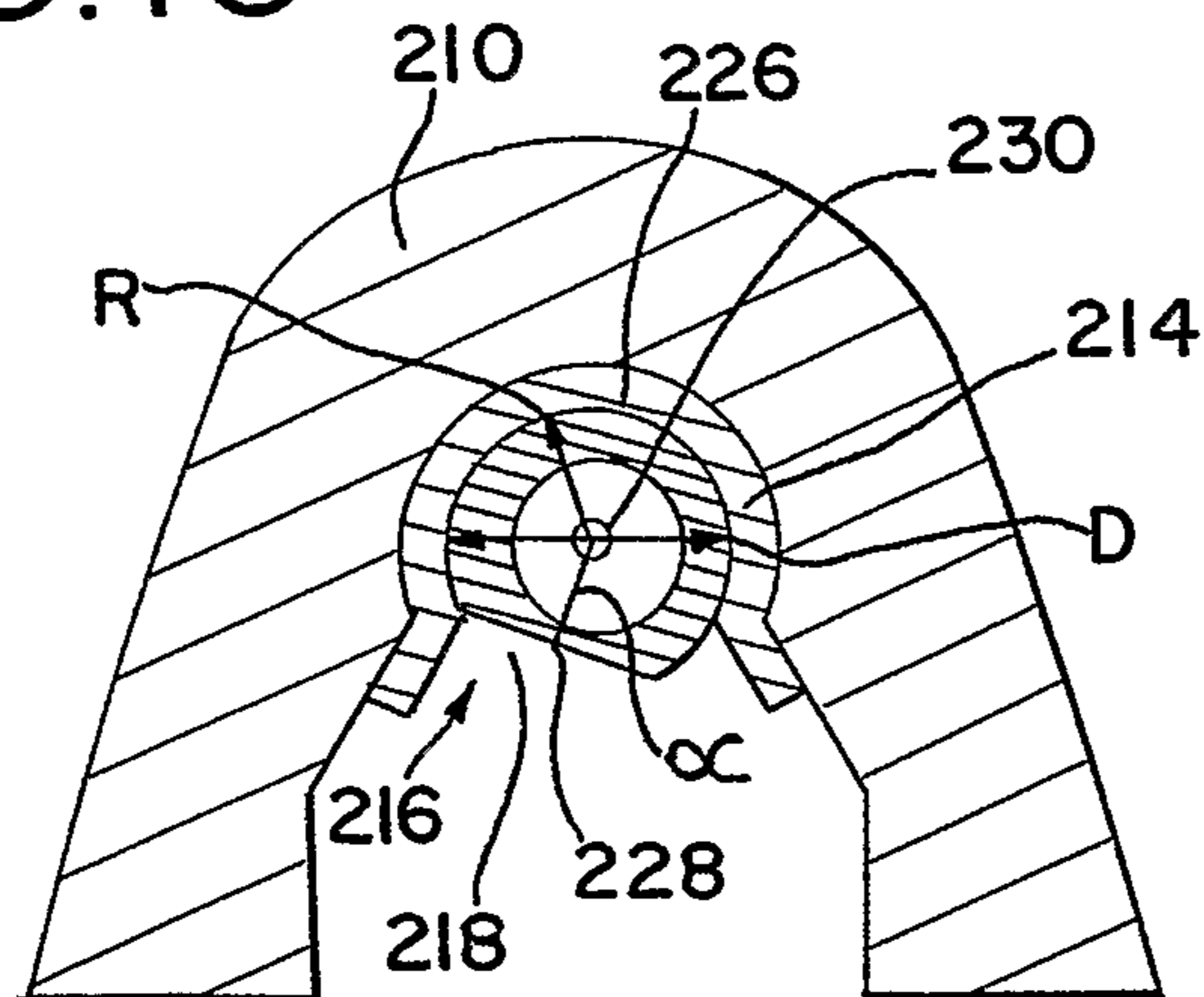


FIG. 16



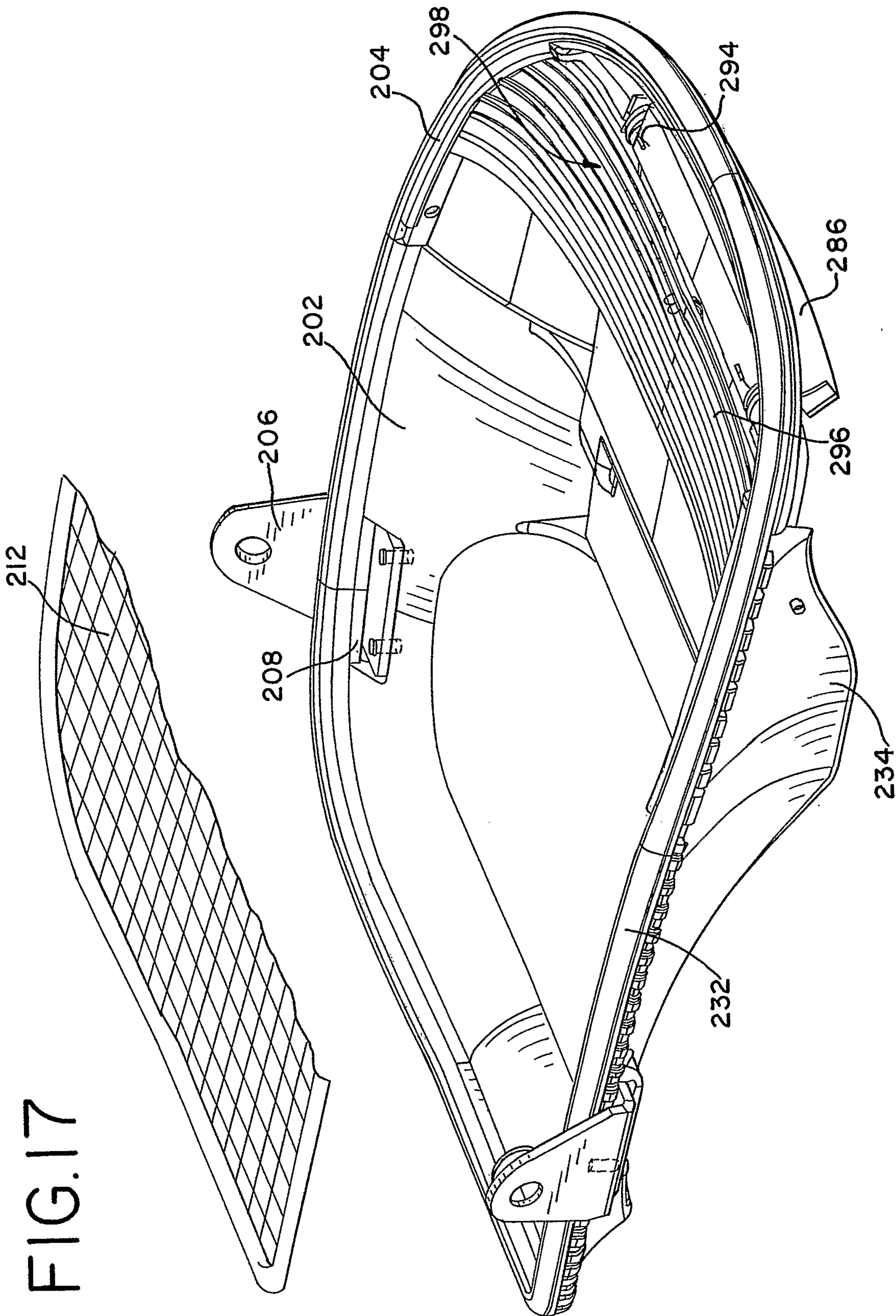


FIG. 18

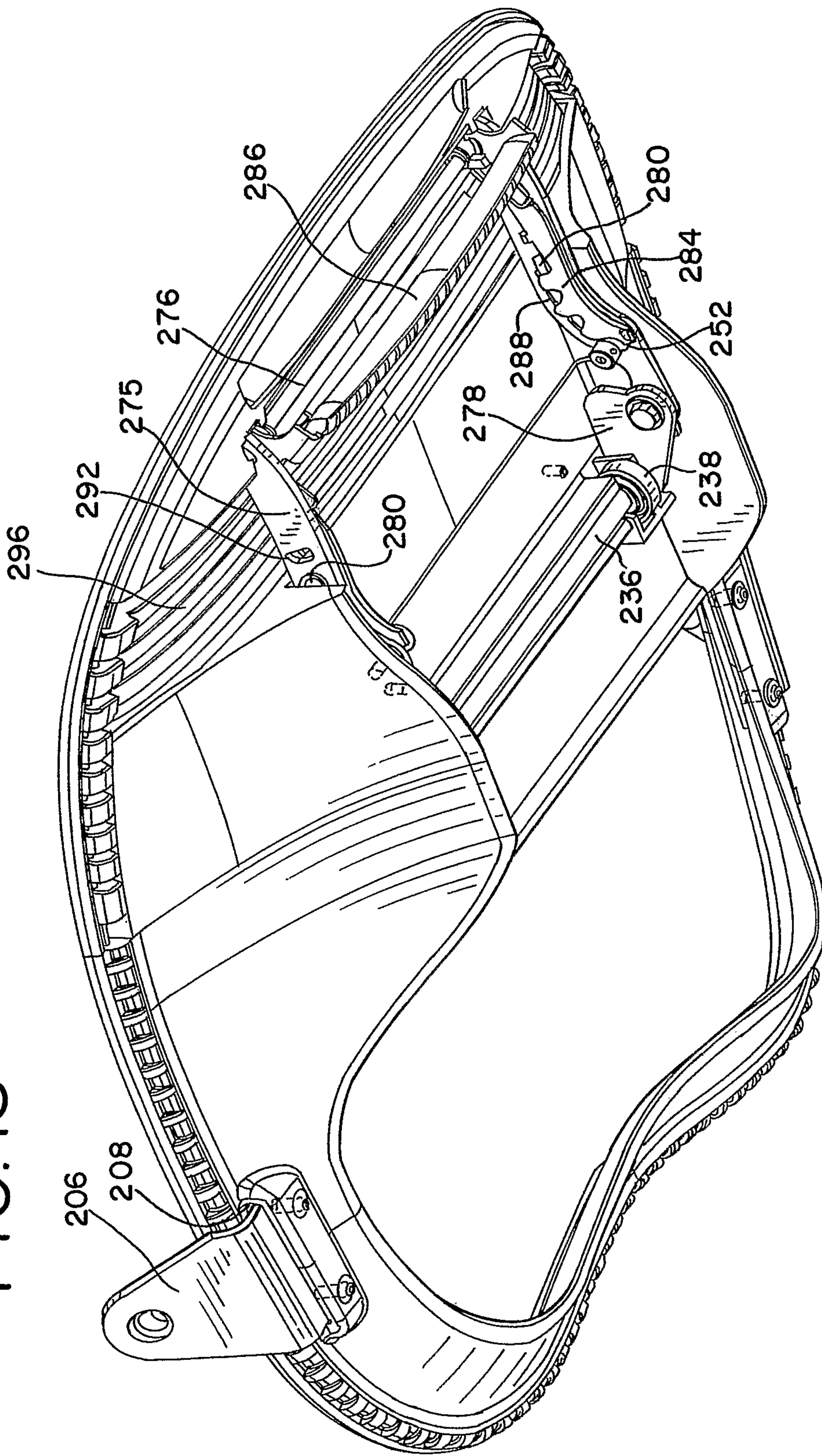


FIG. 19

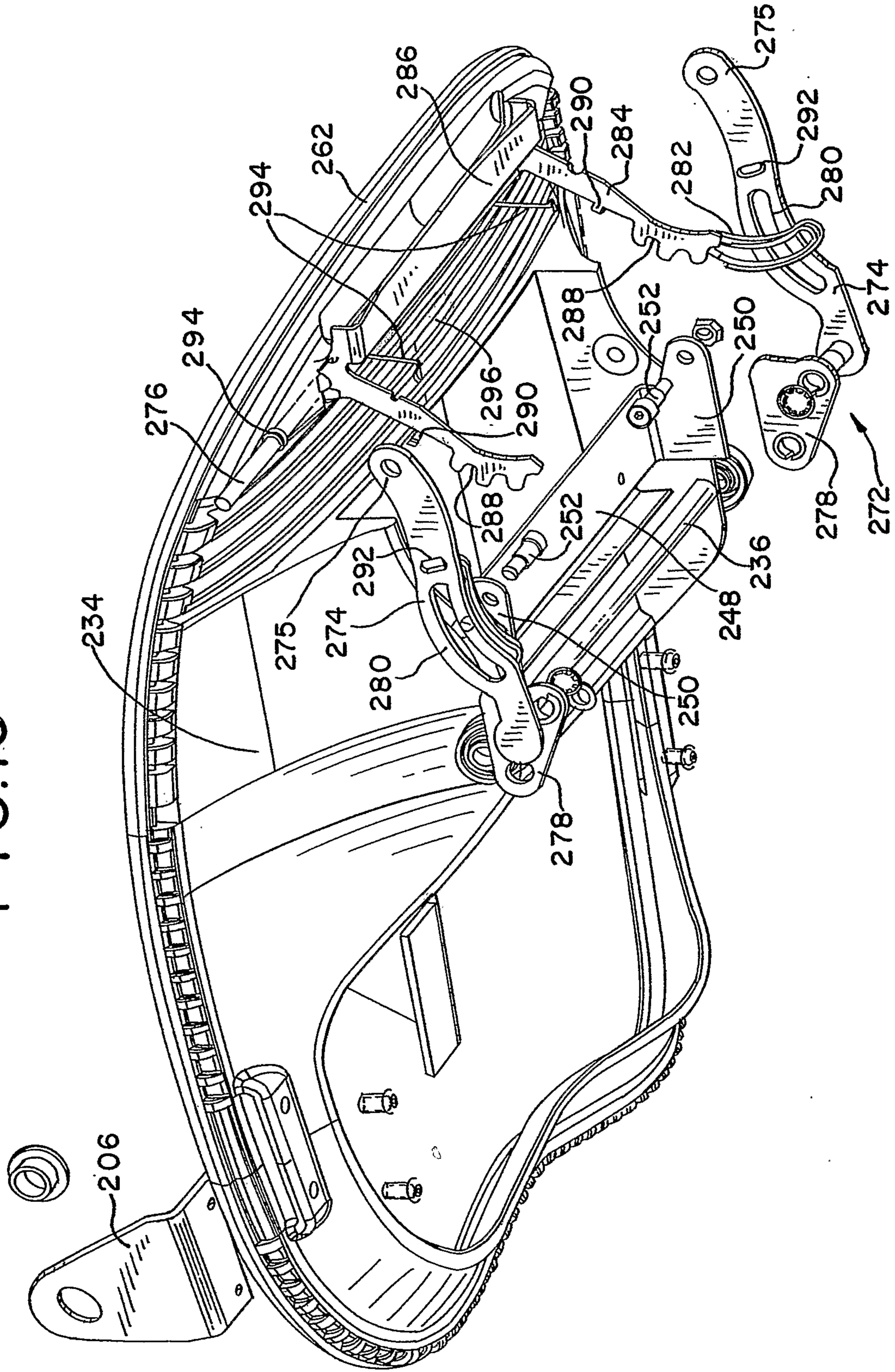


FIG.20

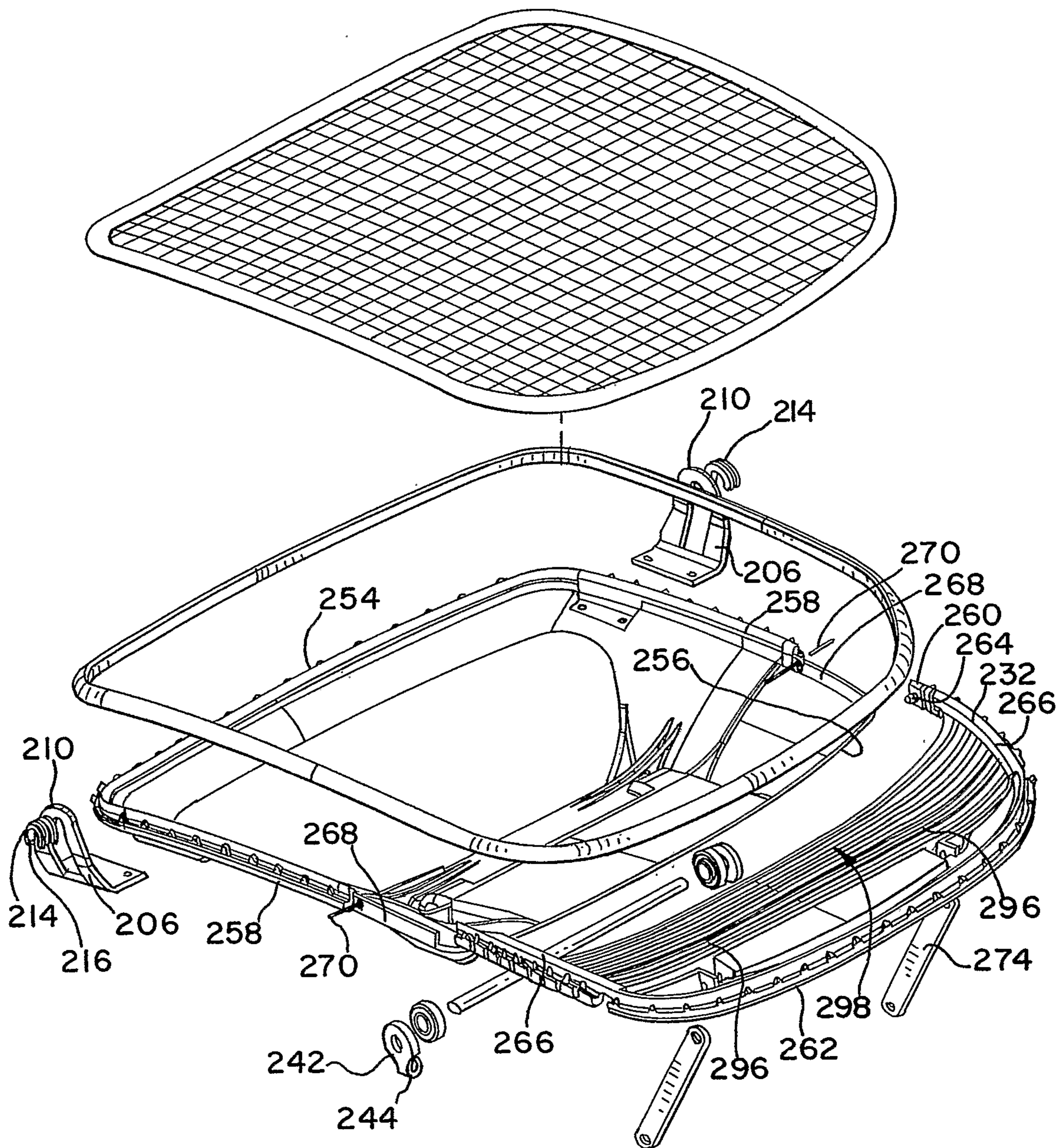
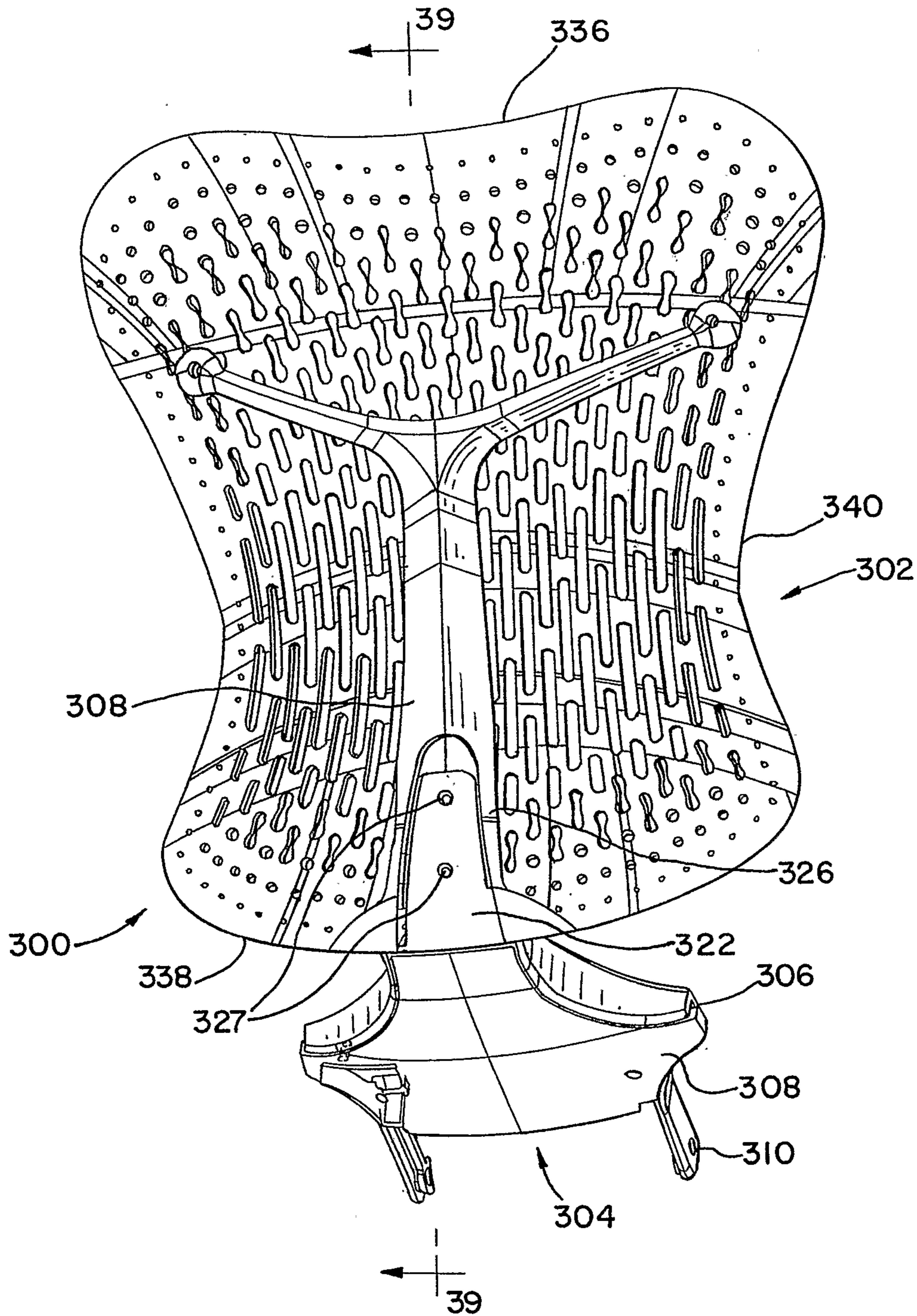


FIG.23



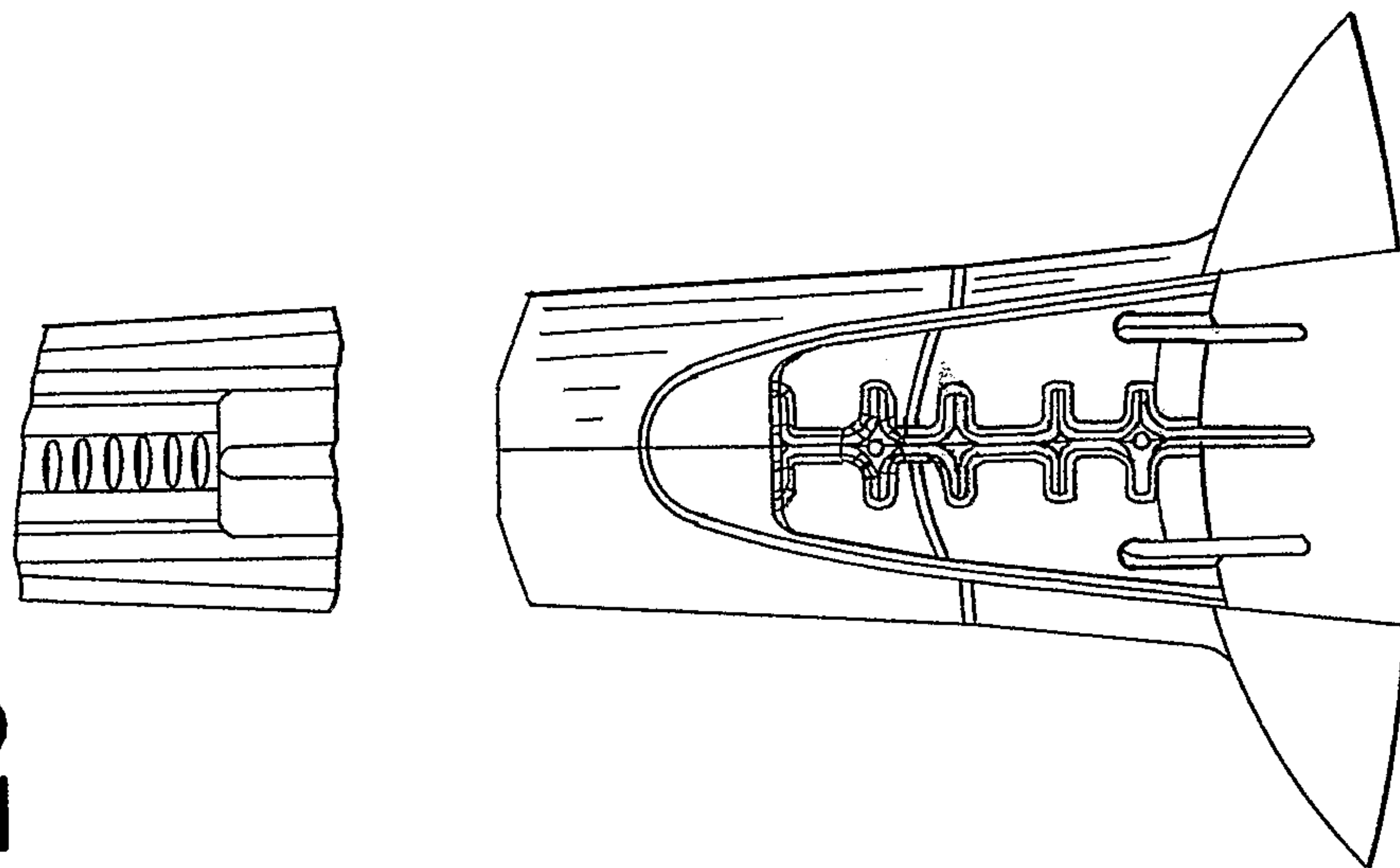


FIG. 26

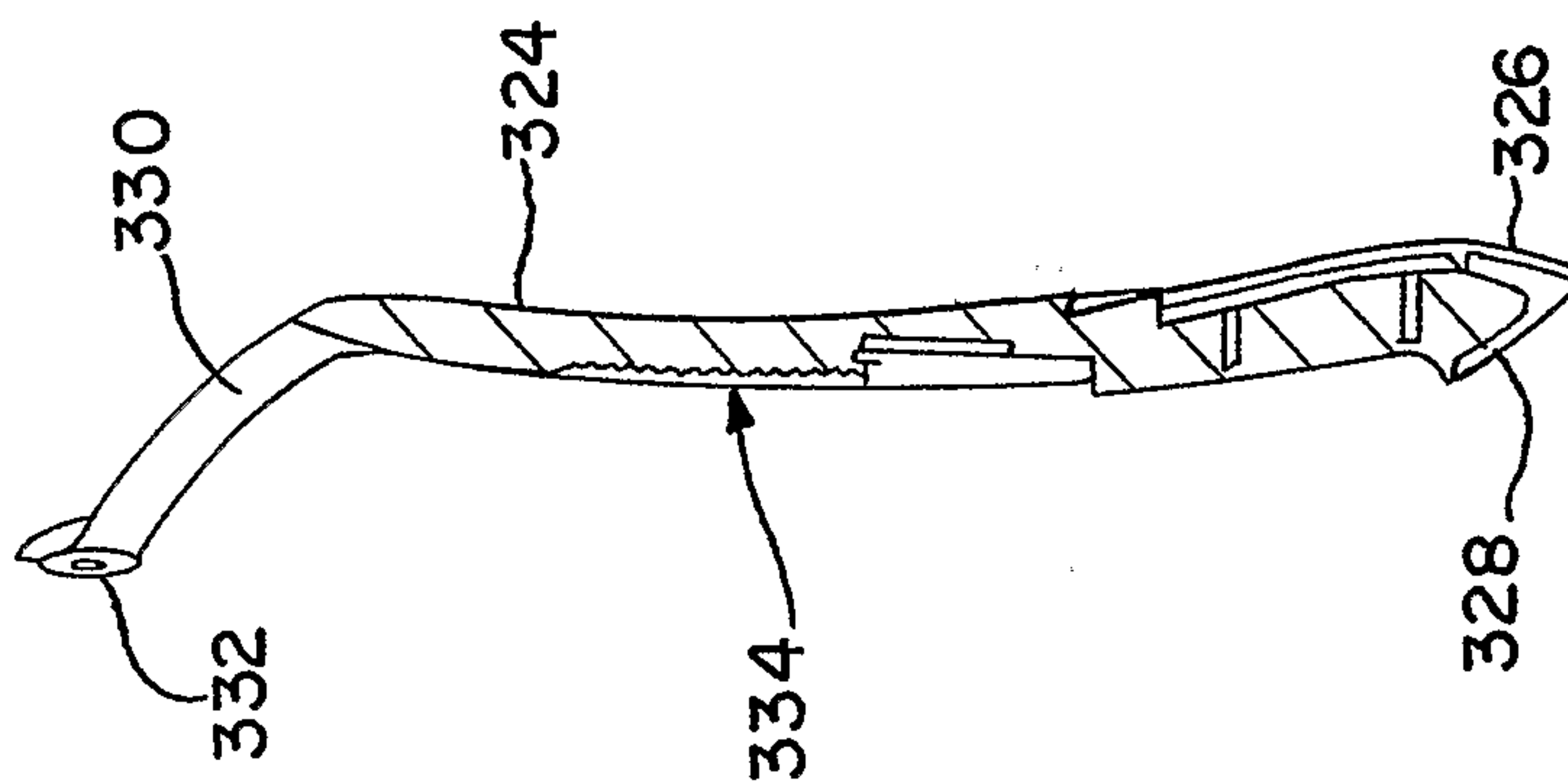


FIG. 25

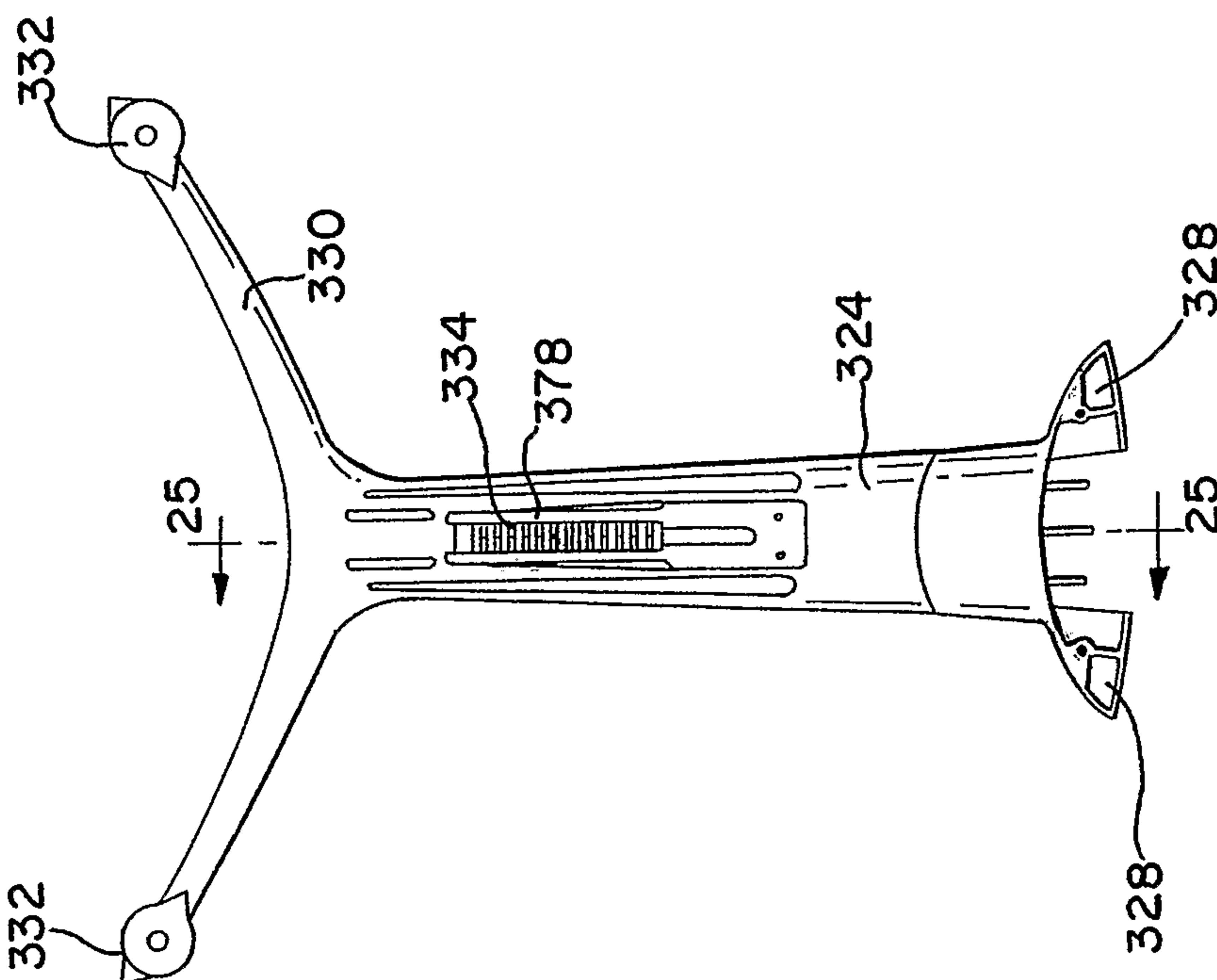


FIG. 24

FIG. 27

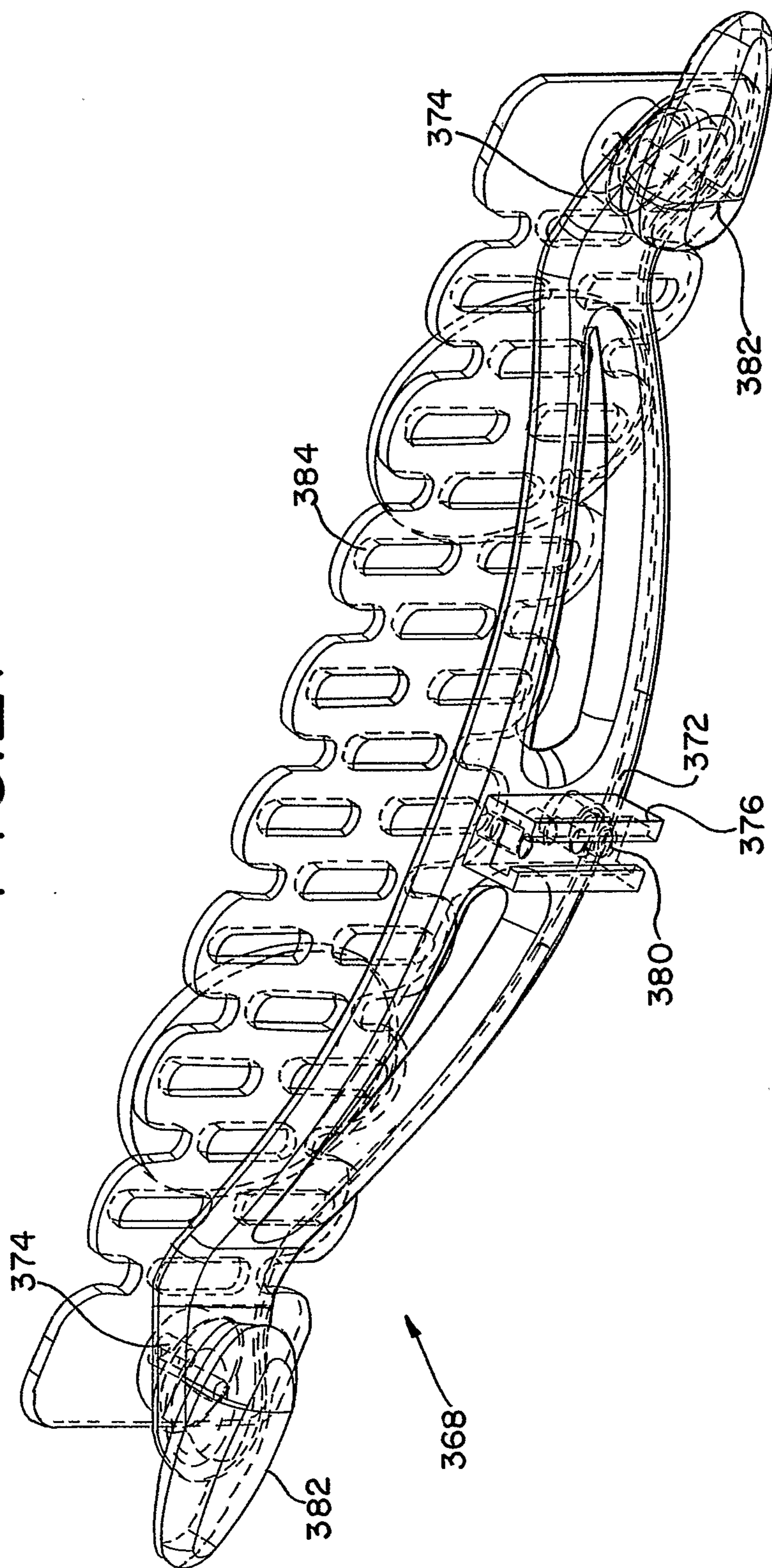


FIG. 29

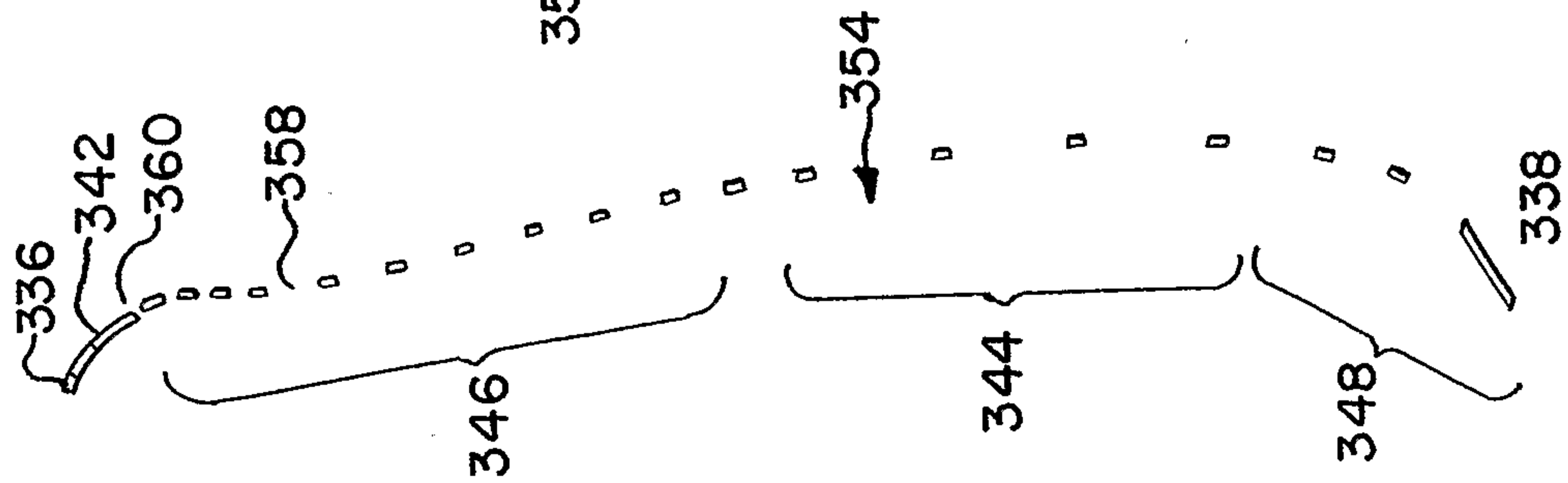


FIG. 28

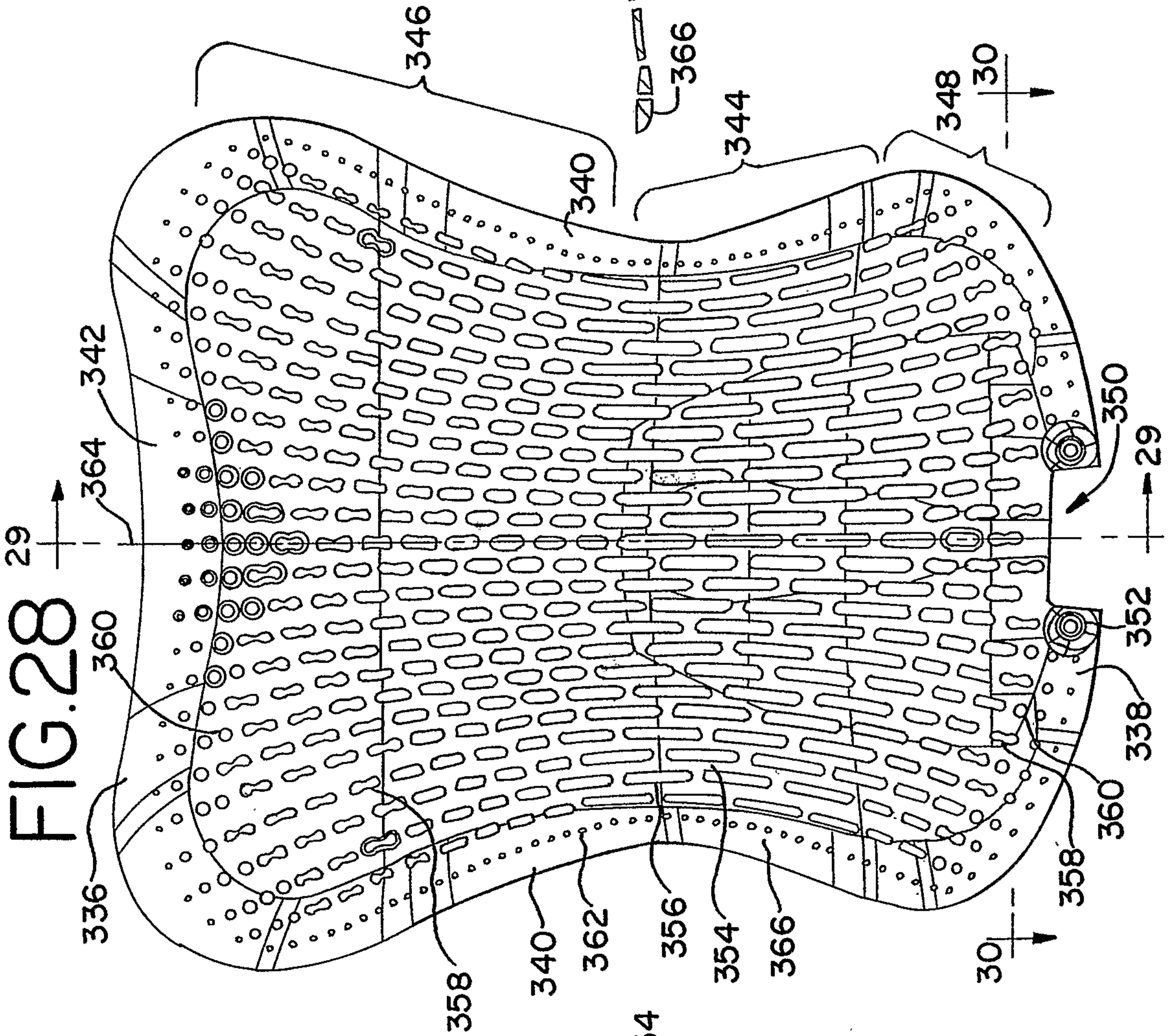


FIG. 30

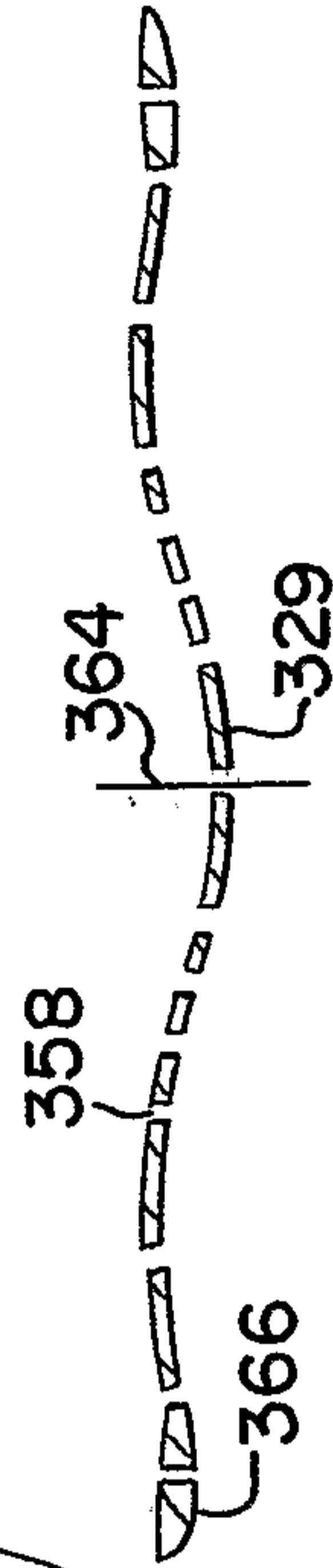


FIG. 31

FIG. 32

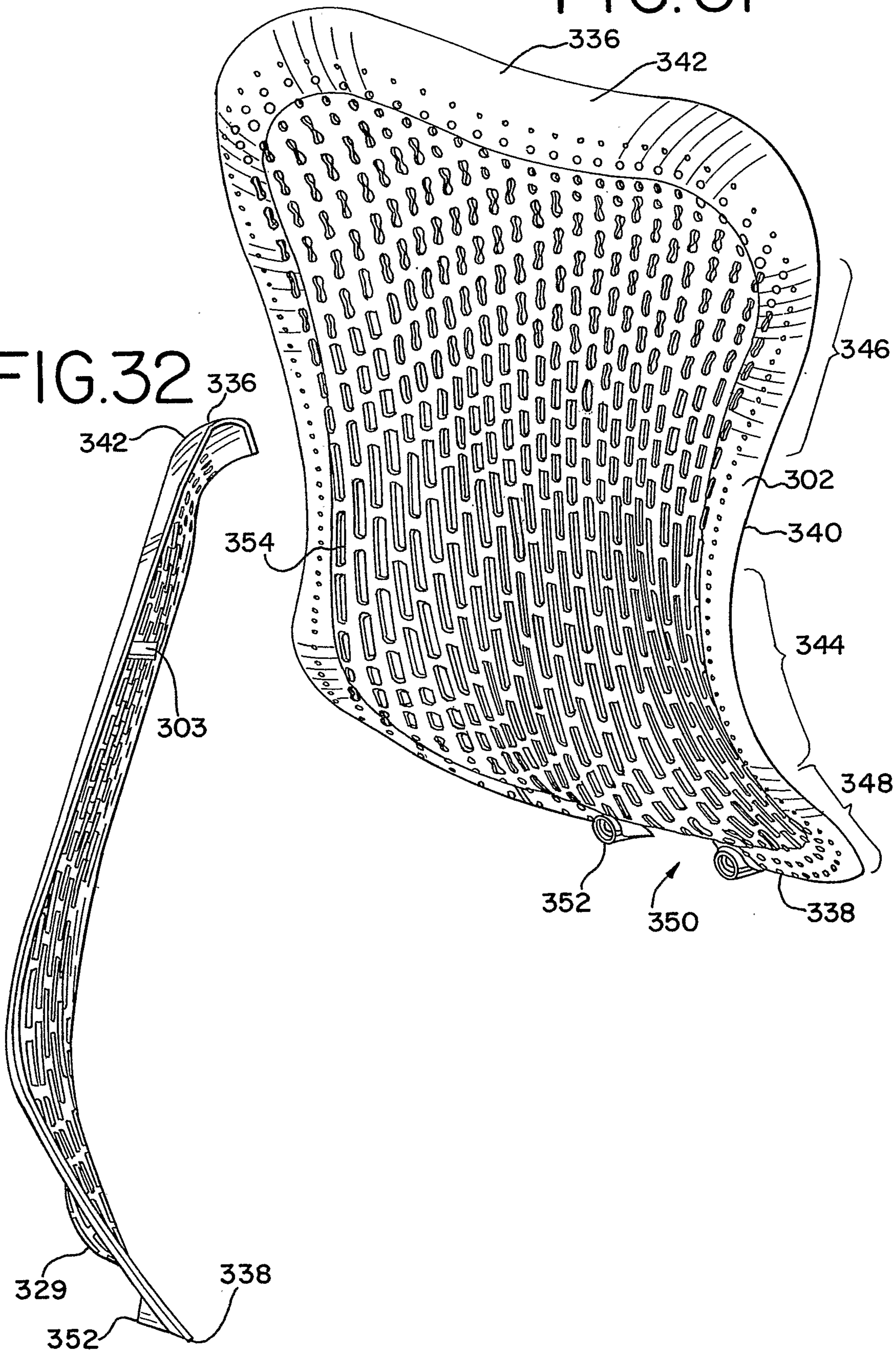


FIG. 33

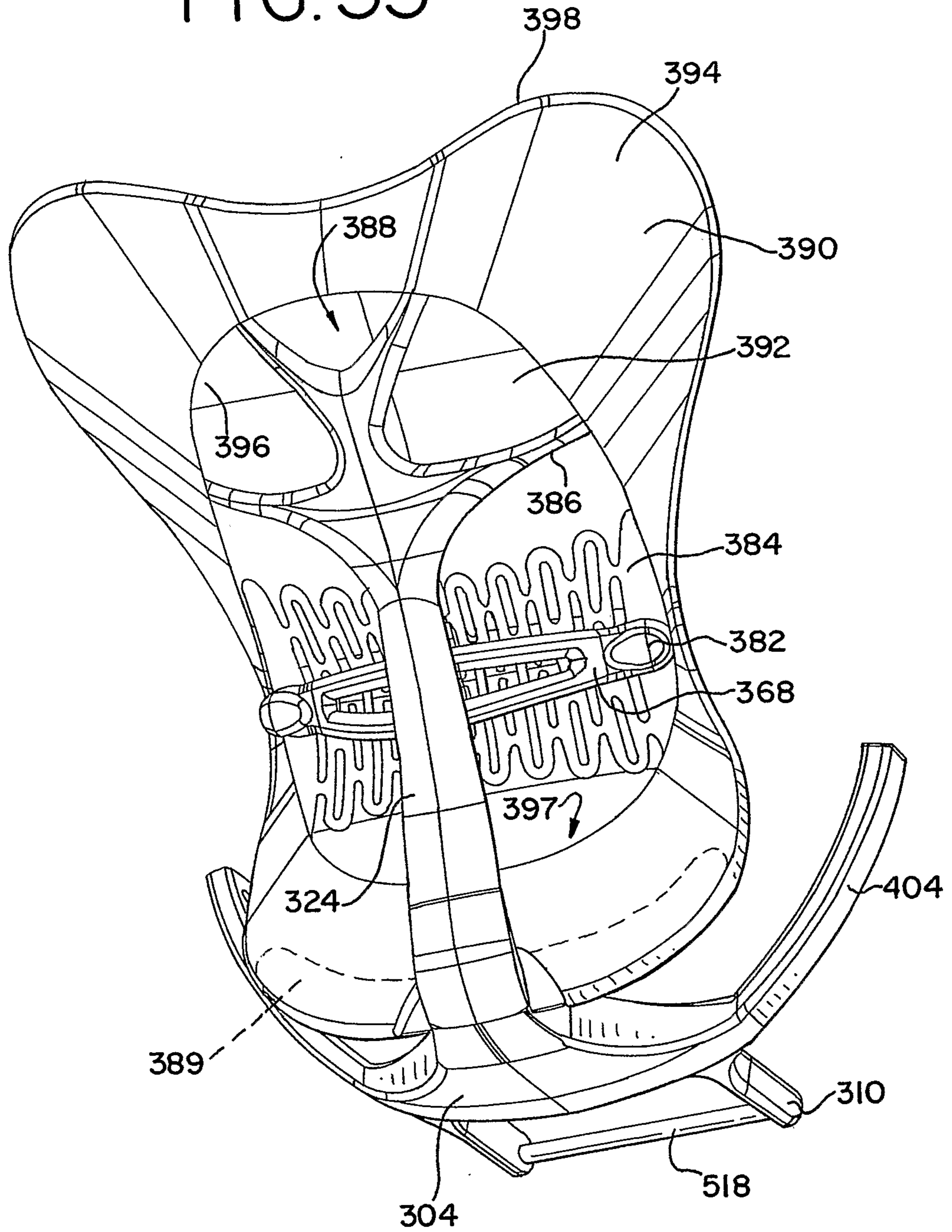


FIG.35

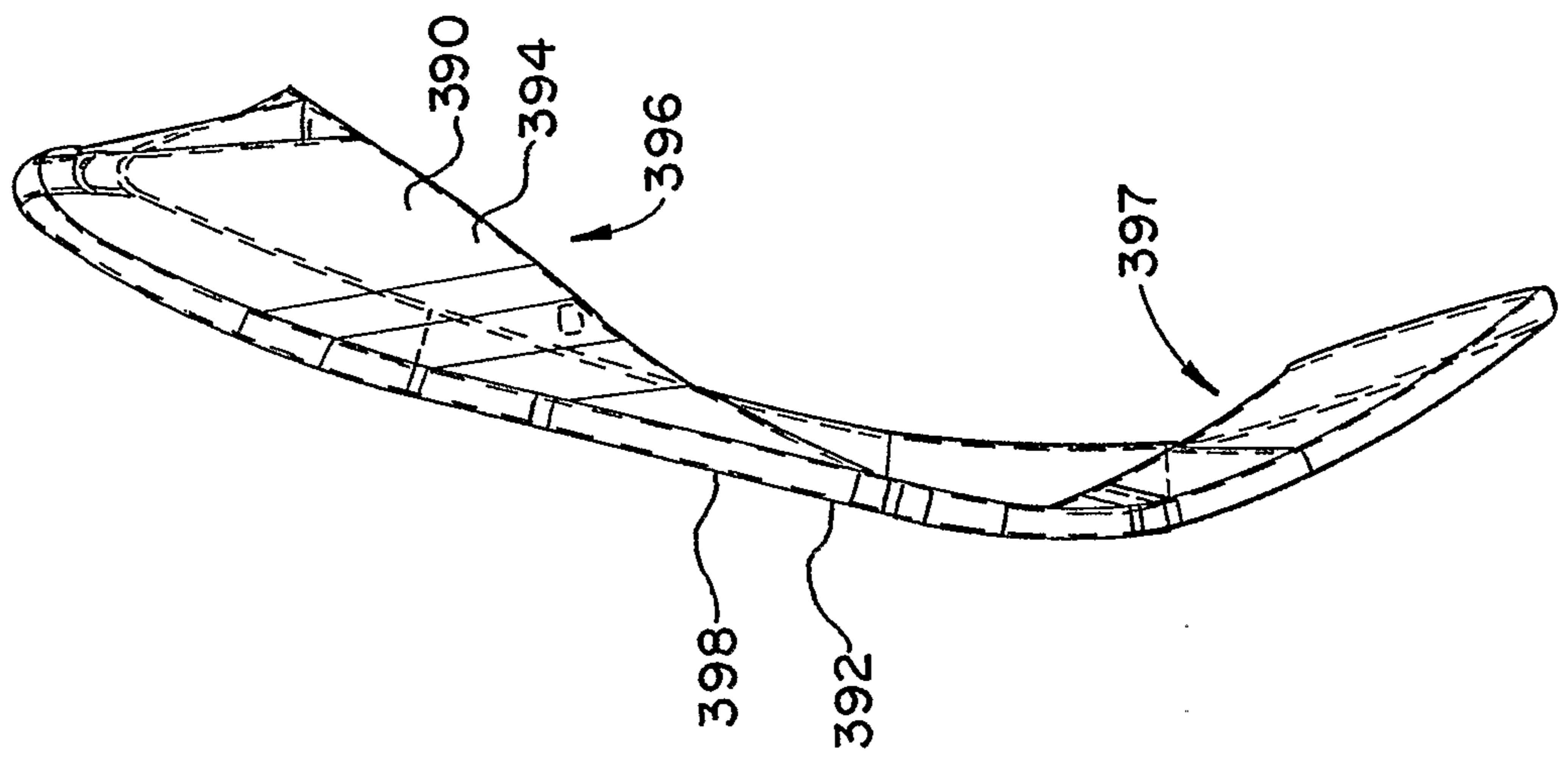


FIG.34

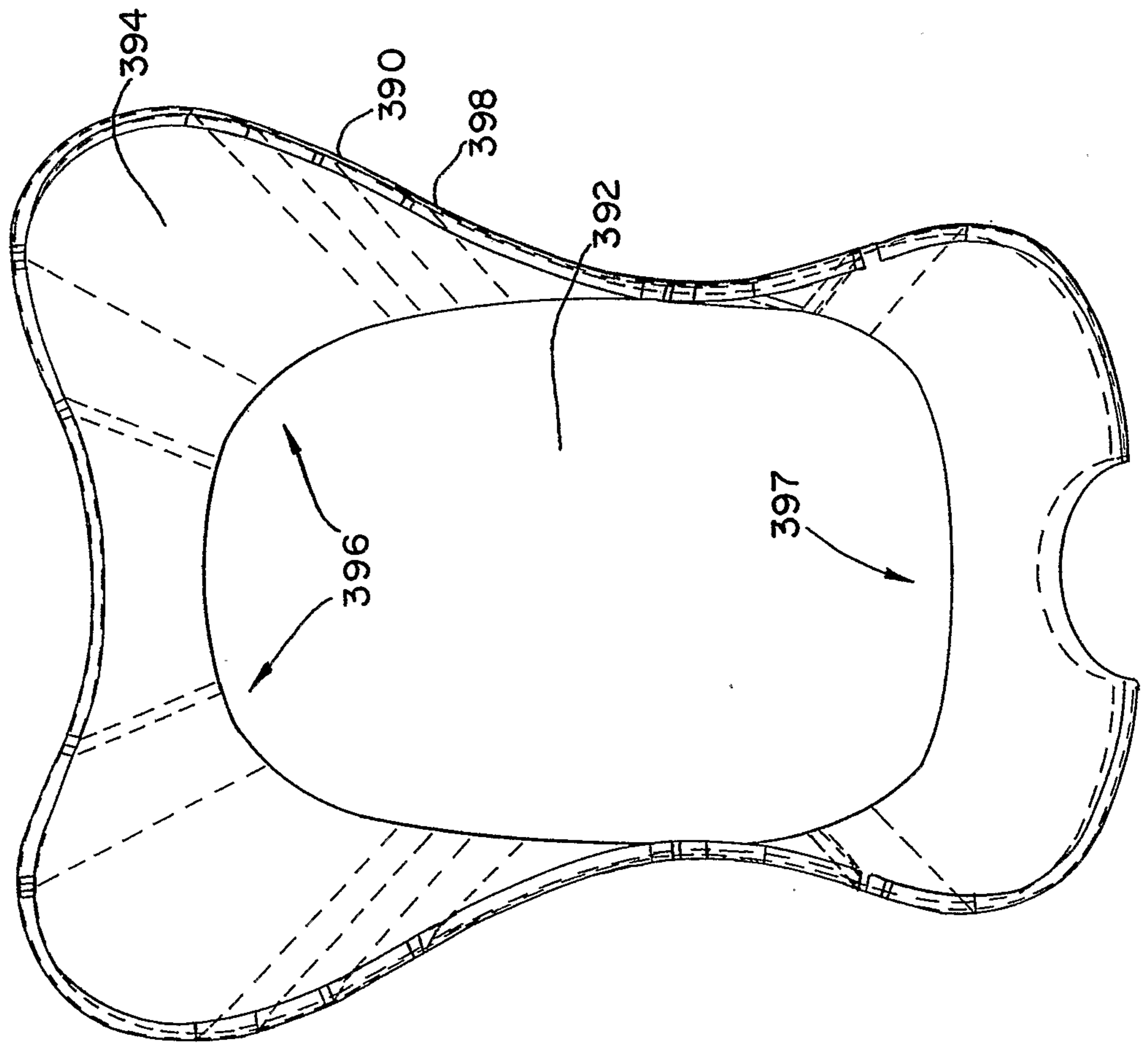


FIG. 36

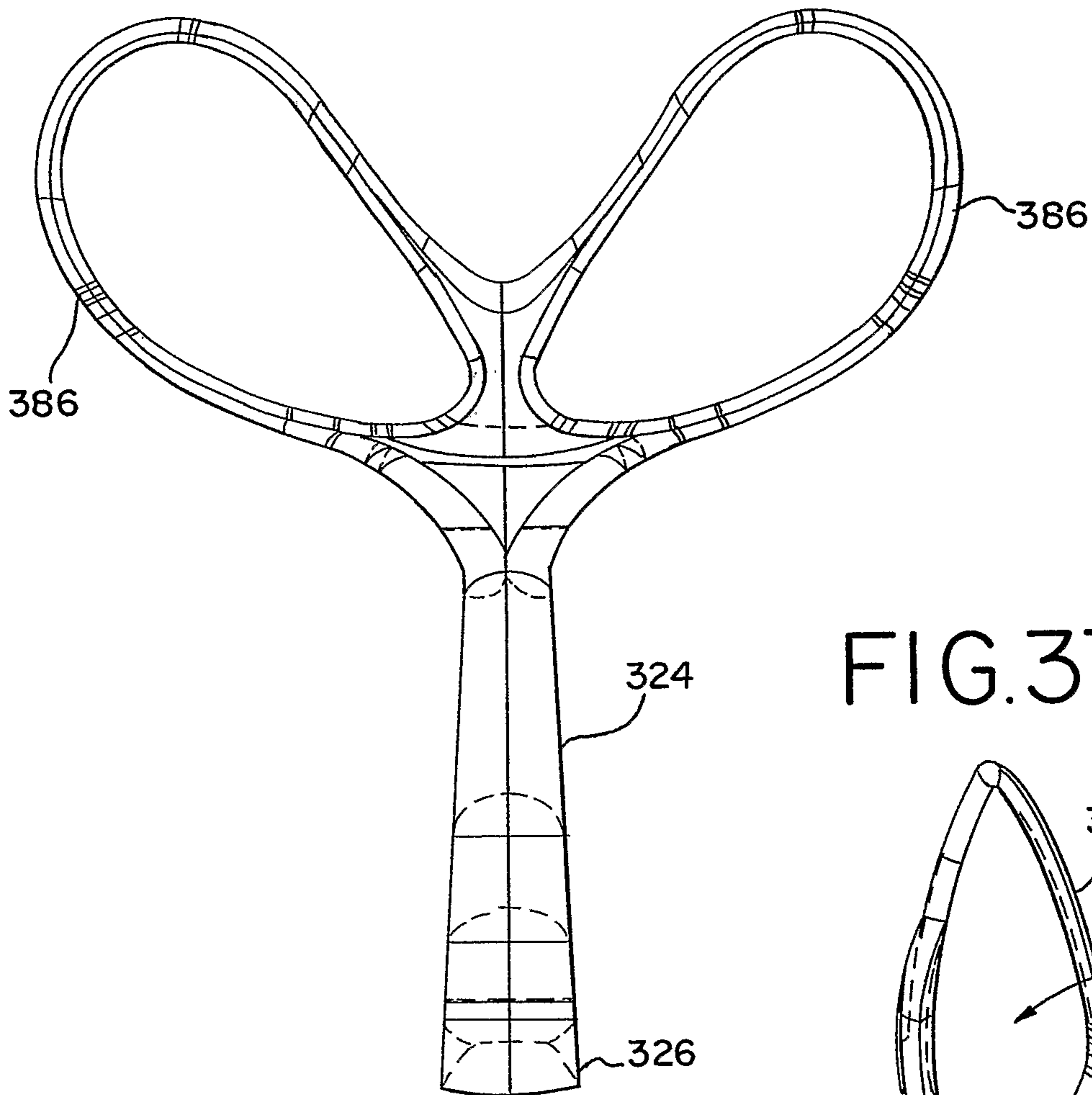


FIG. 37

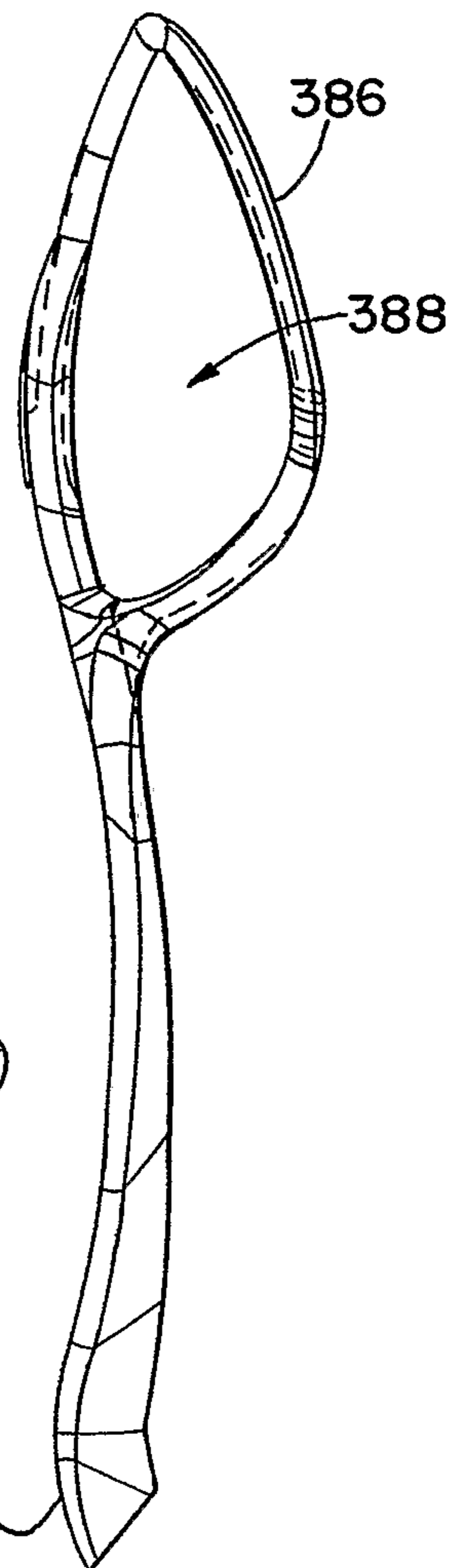


FIG. 38

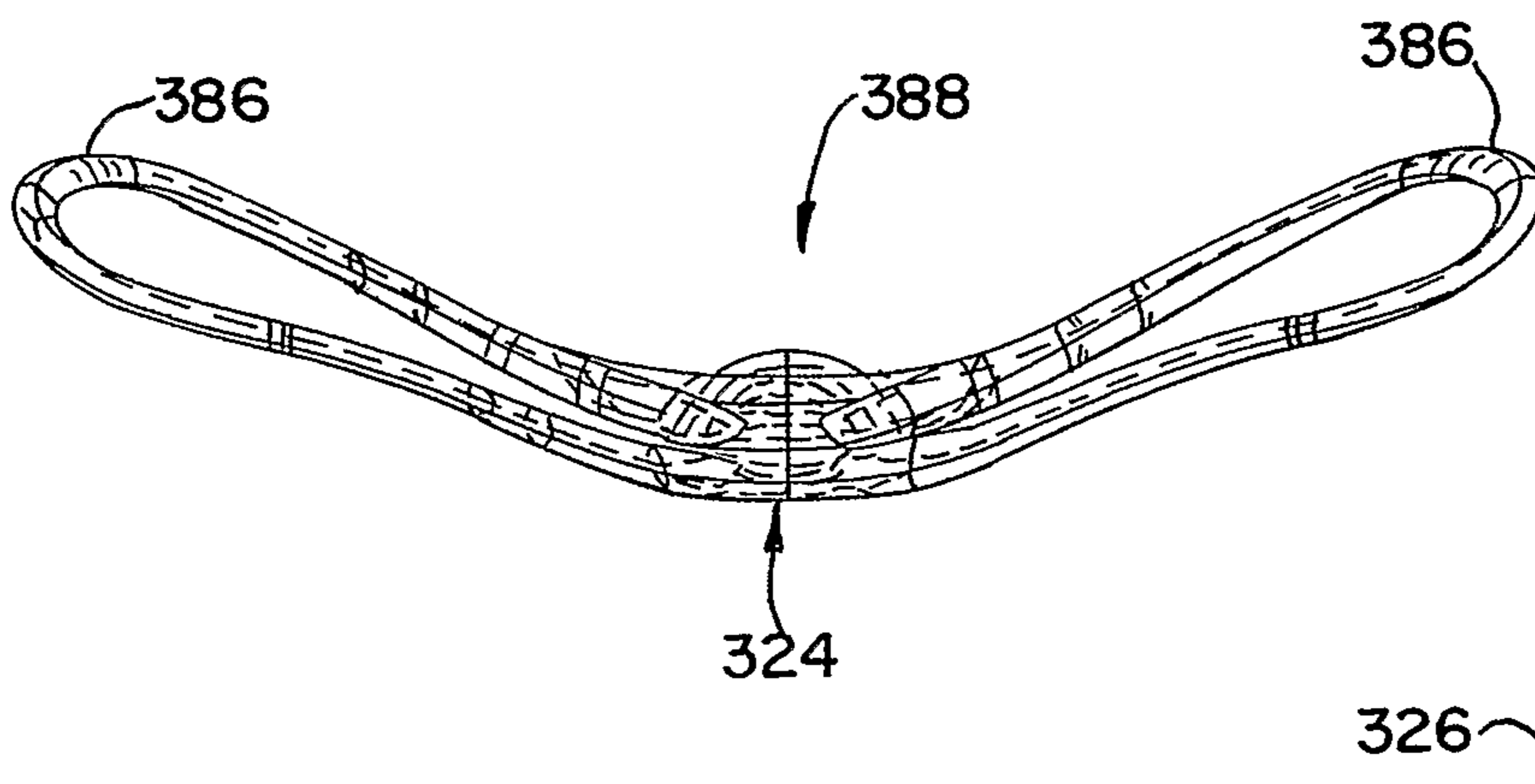


FIG.39

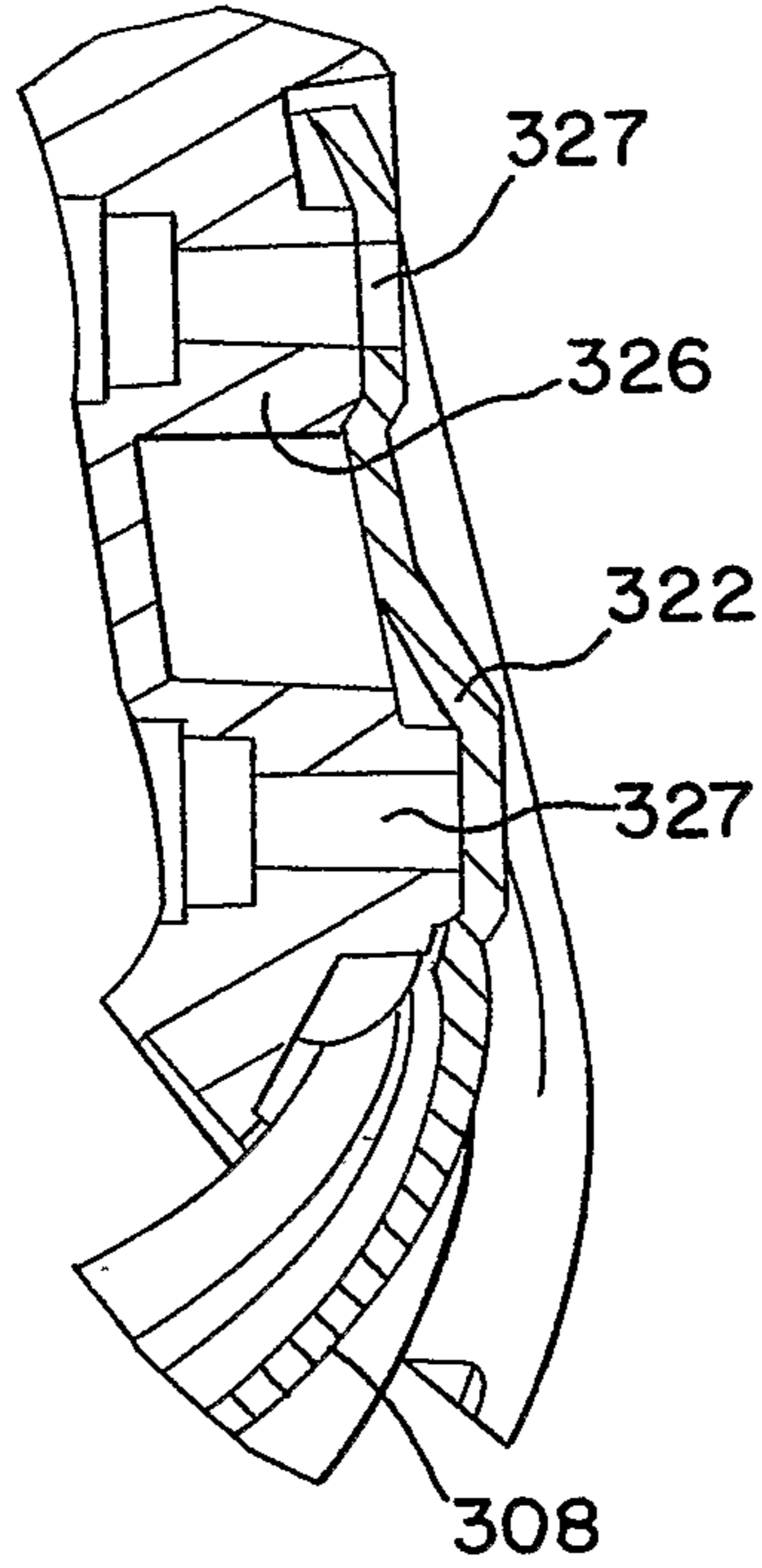


FIG.40

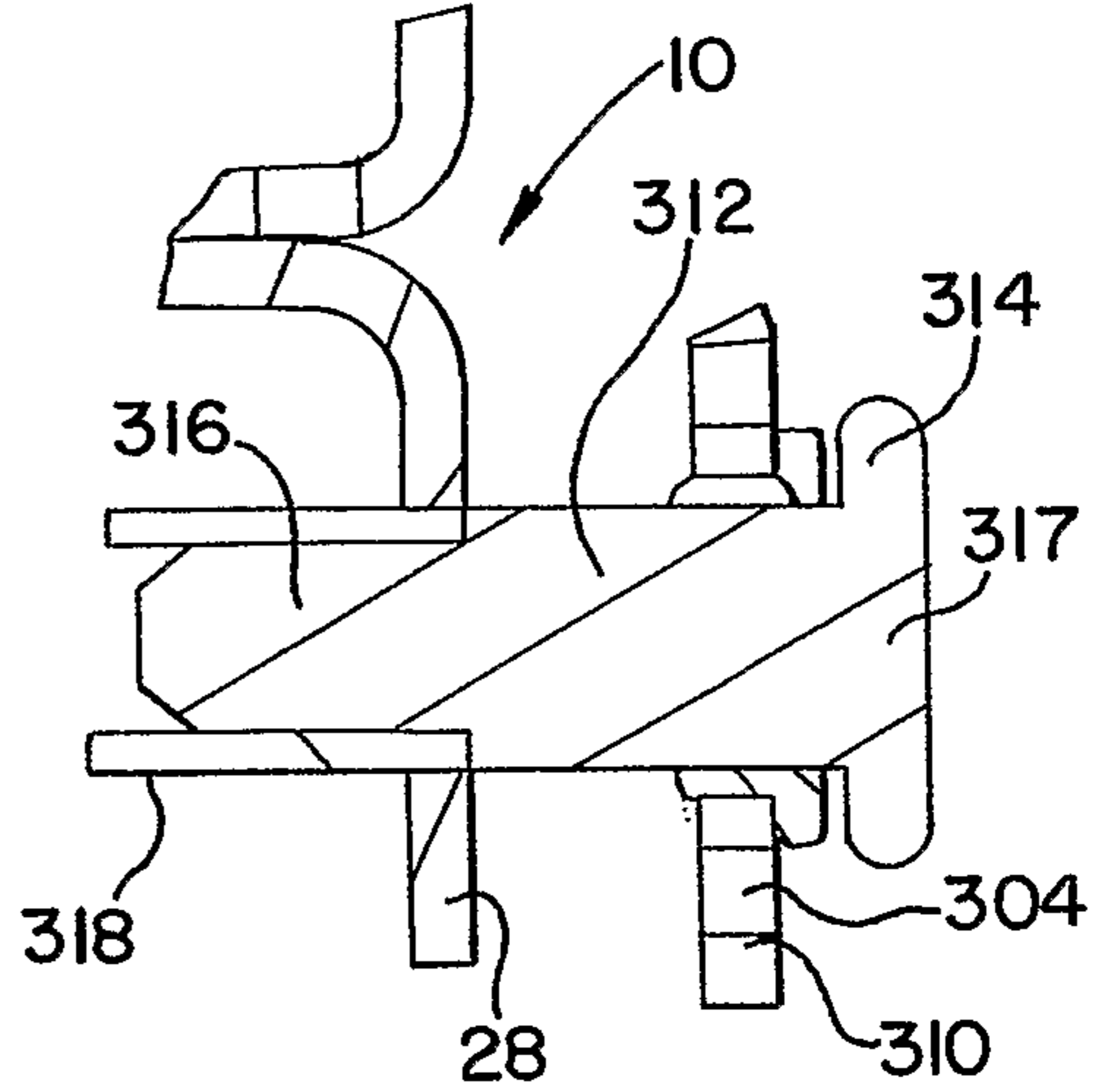


FIG.42

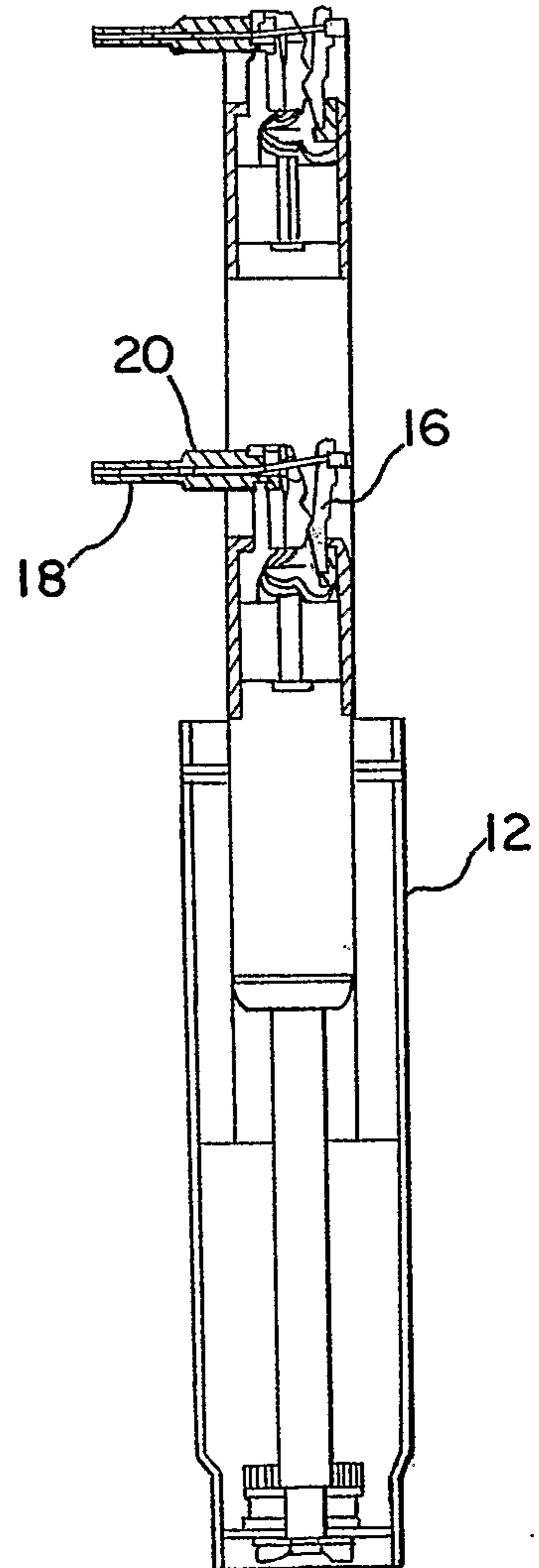


FIG.41

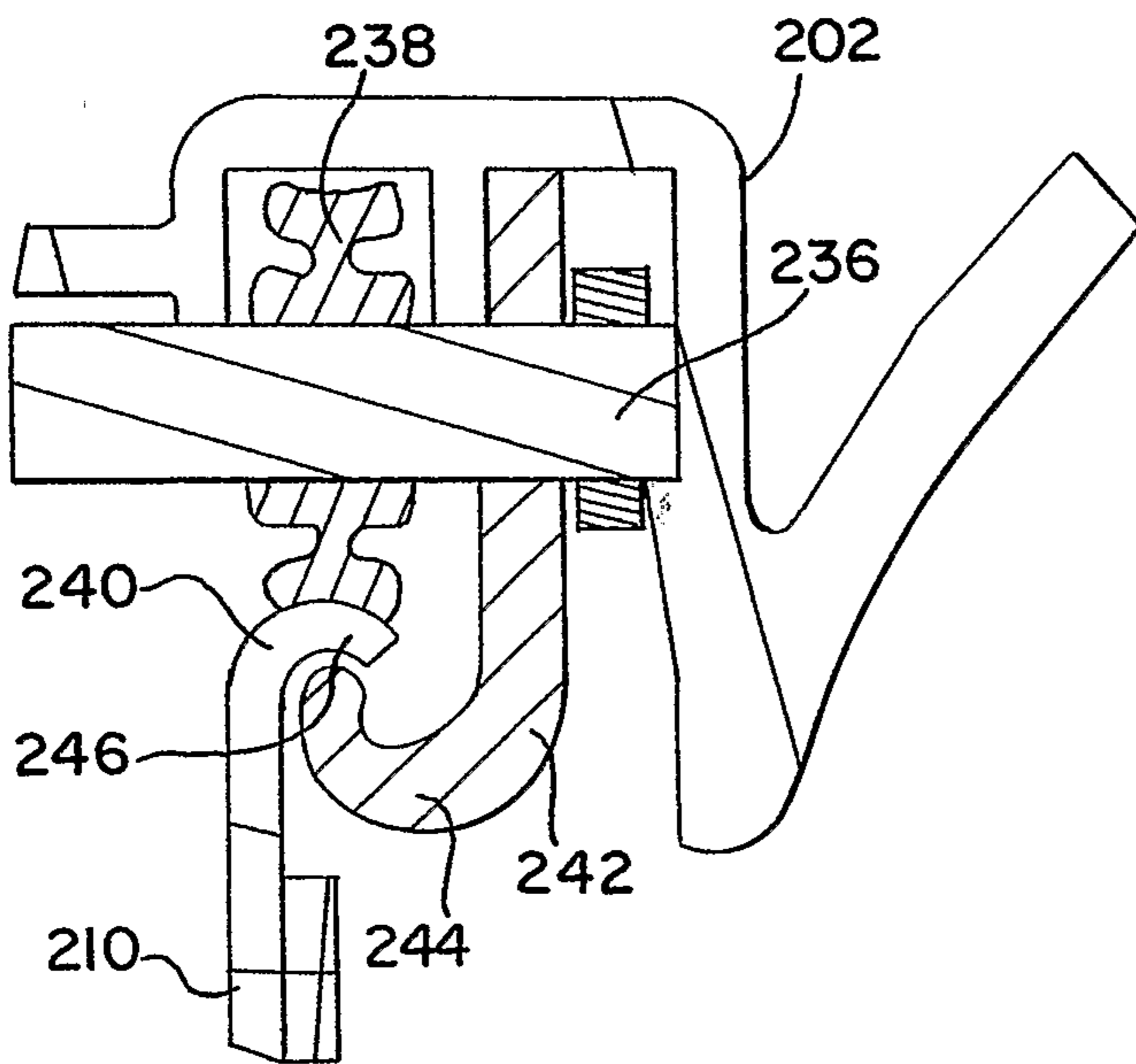


FIG.43

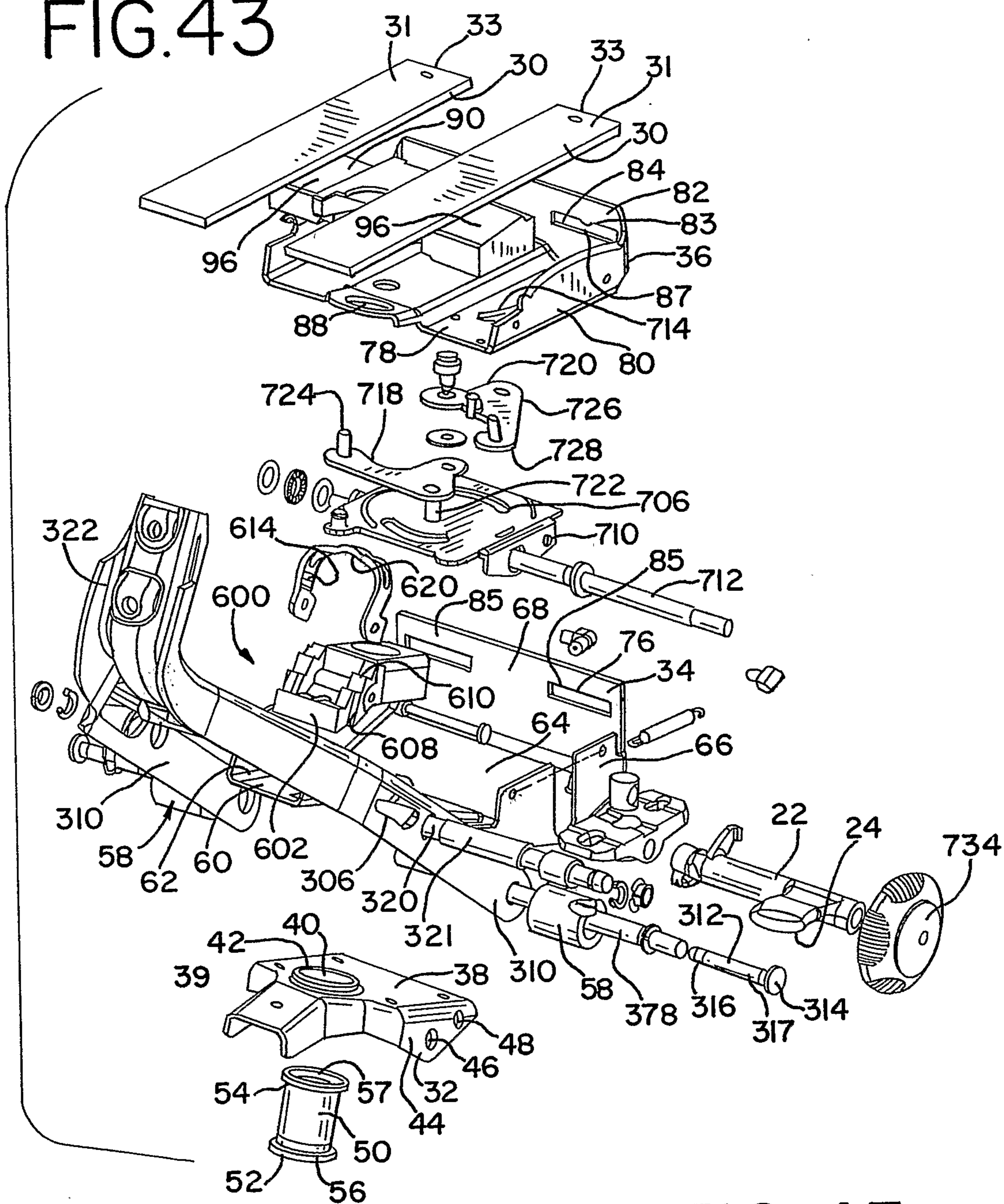


FIG.44

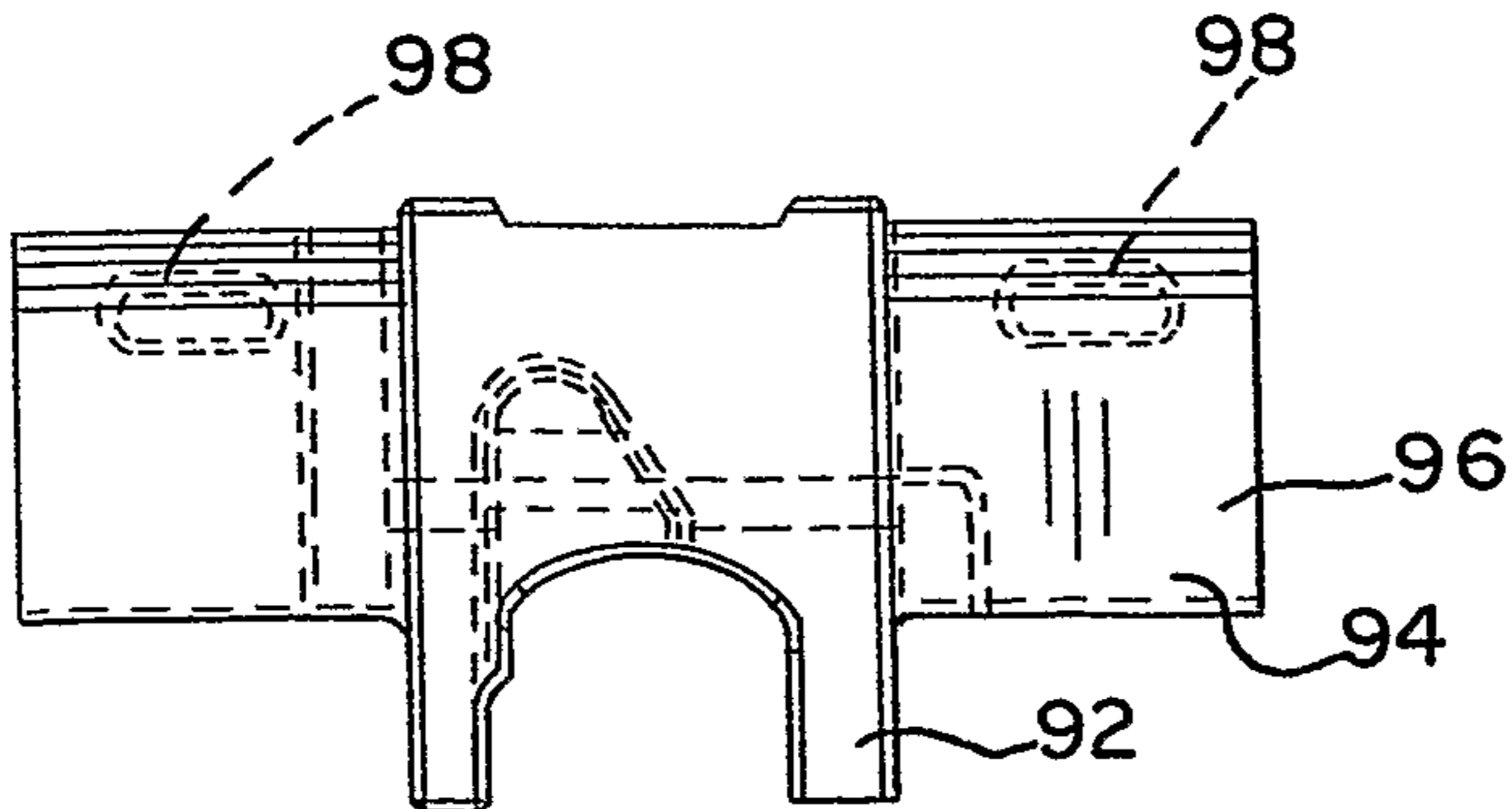
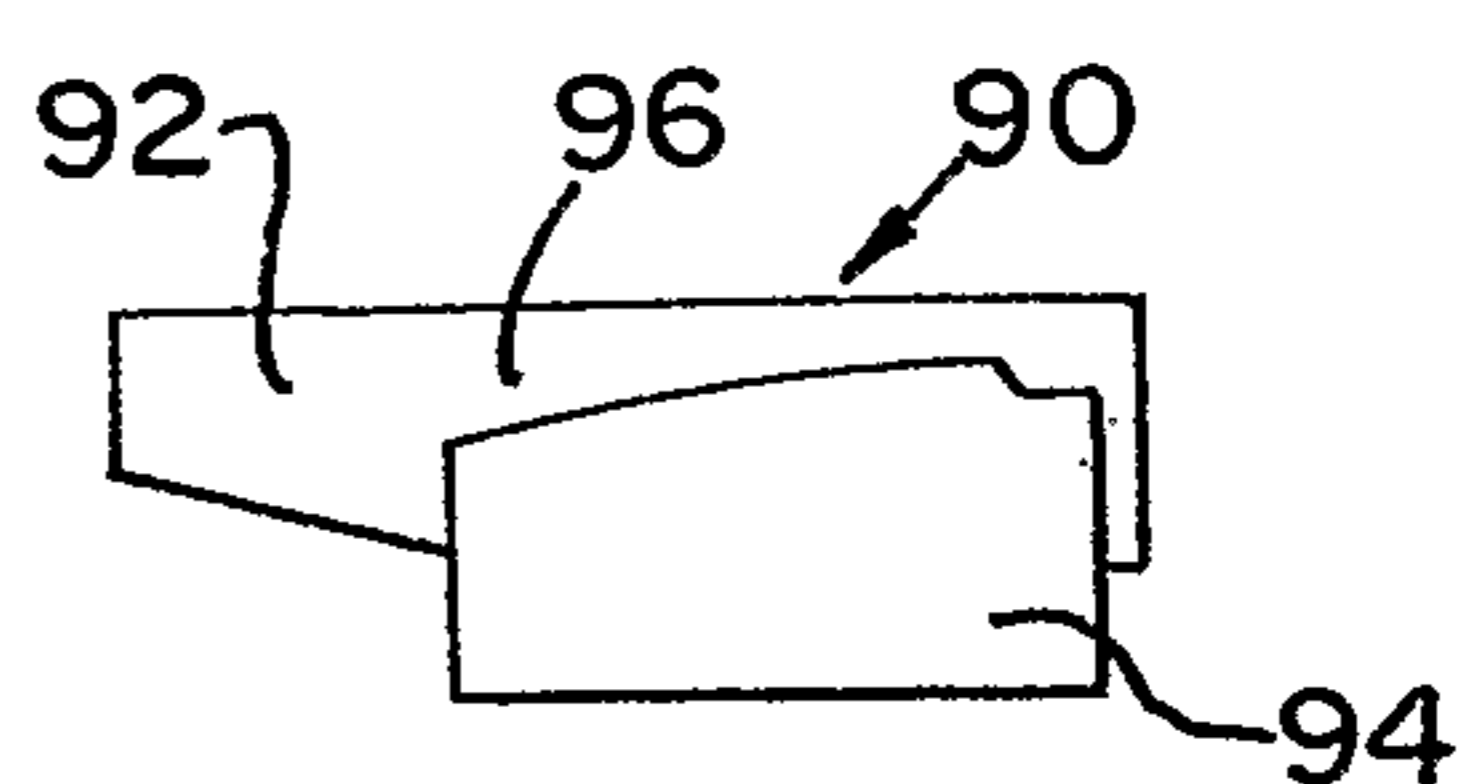


FIG.45



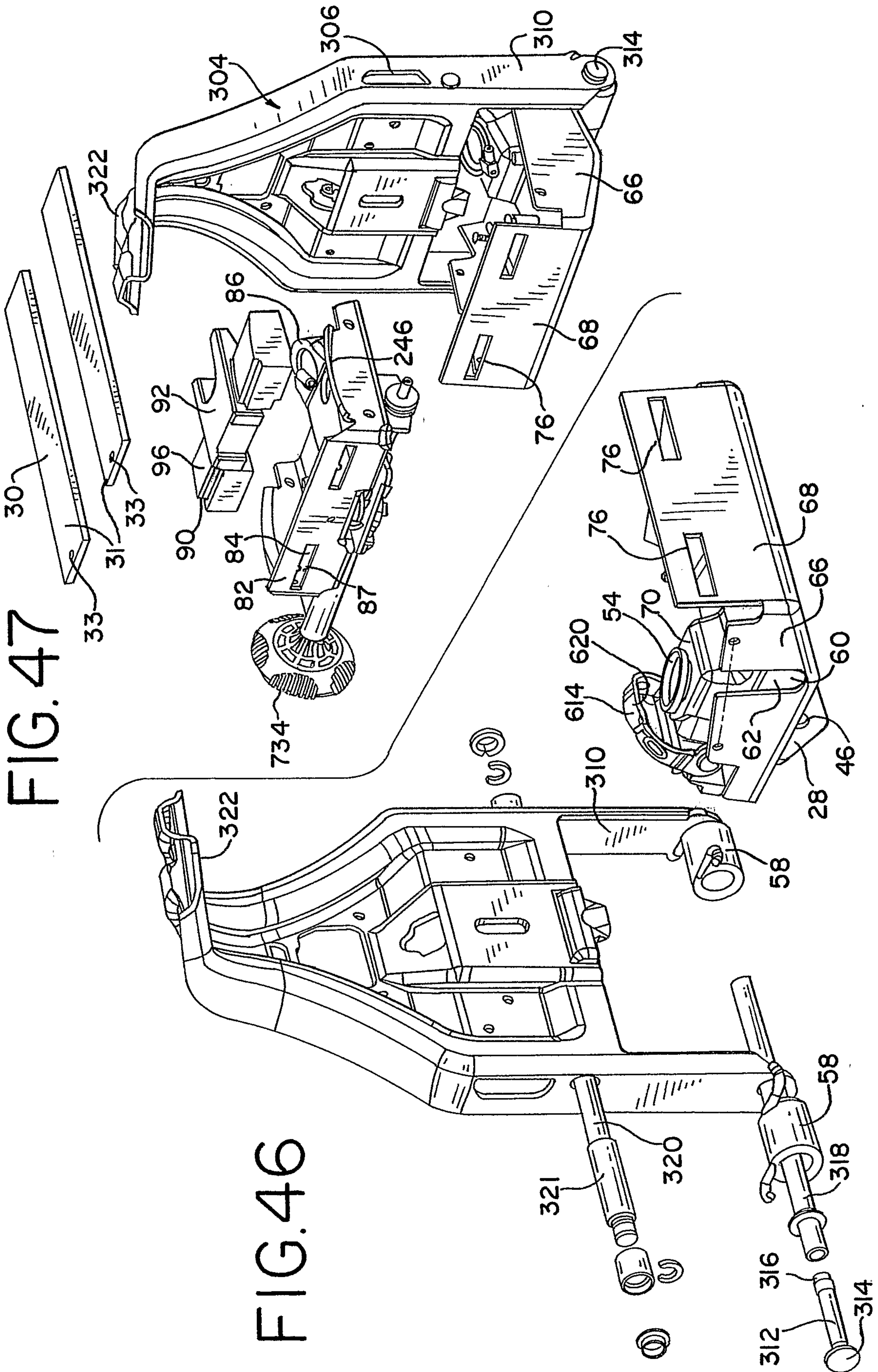


FIG. 47

FIG. 46

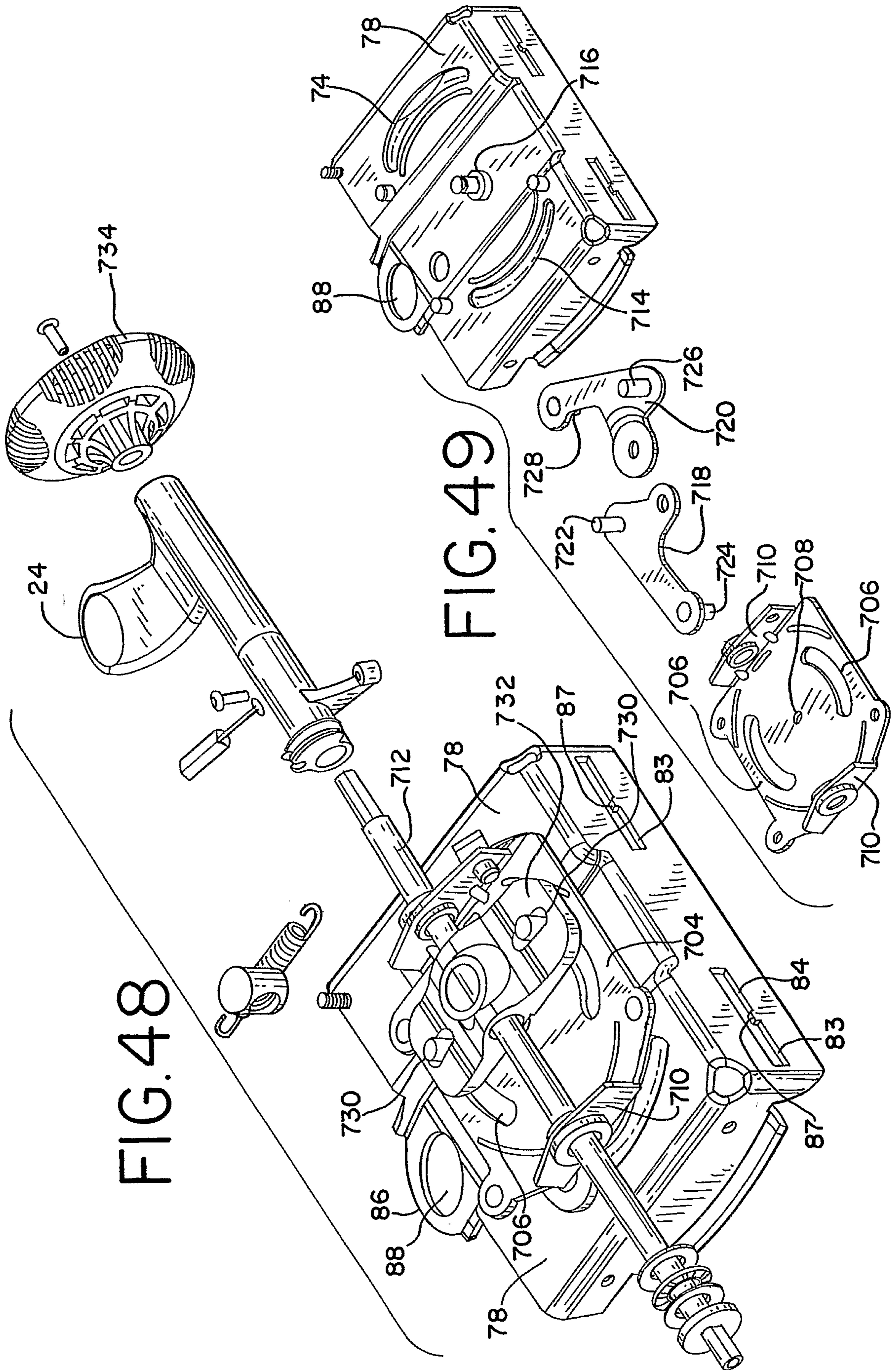


FIG. 50

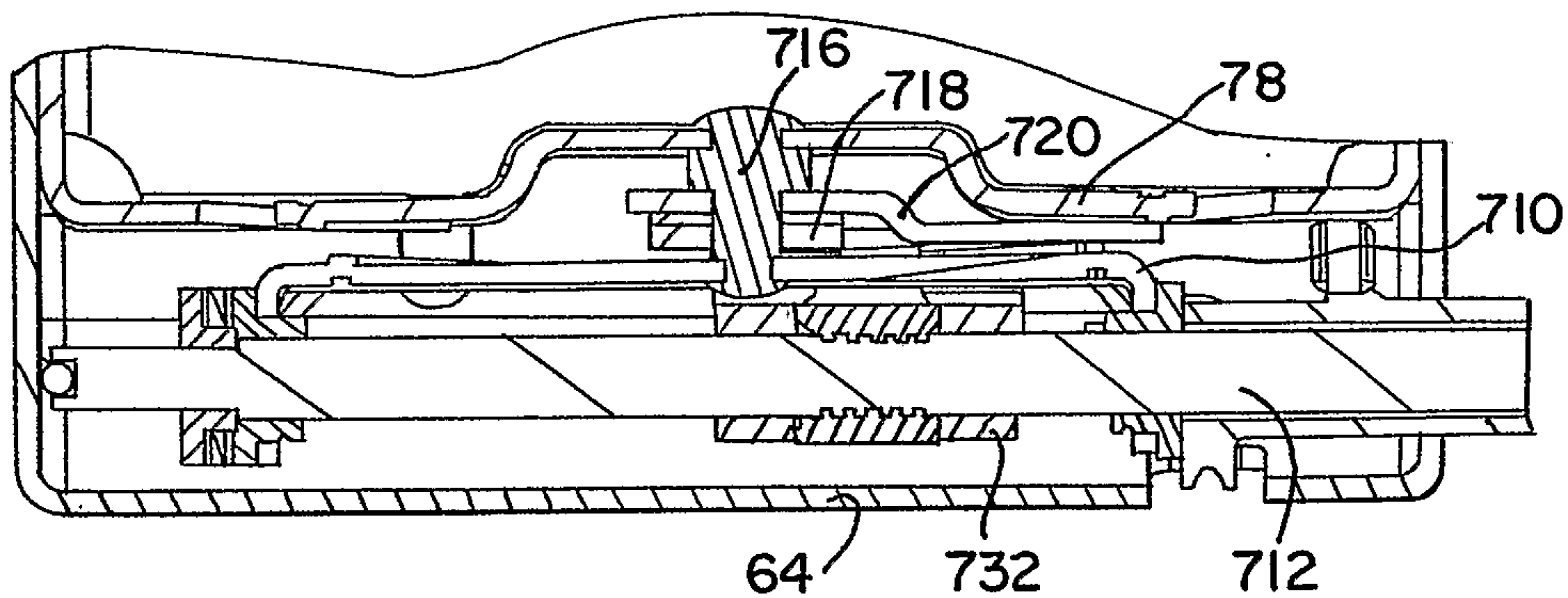


FIG. 51

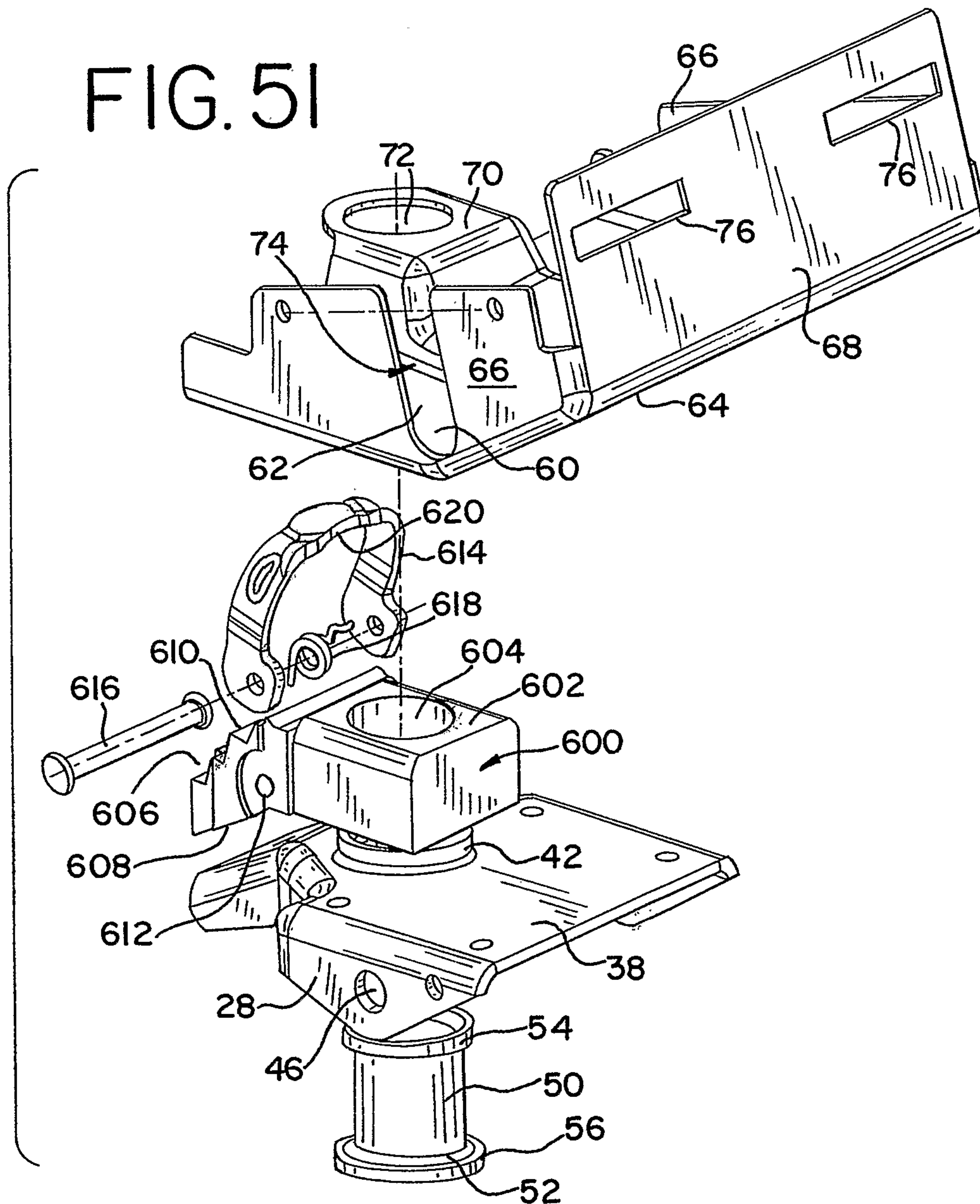


FIG. 52

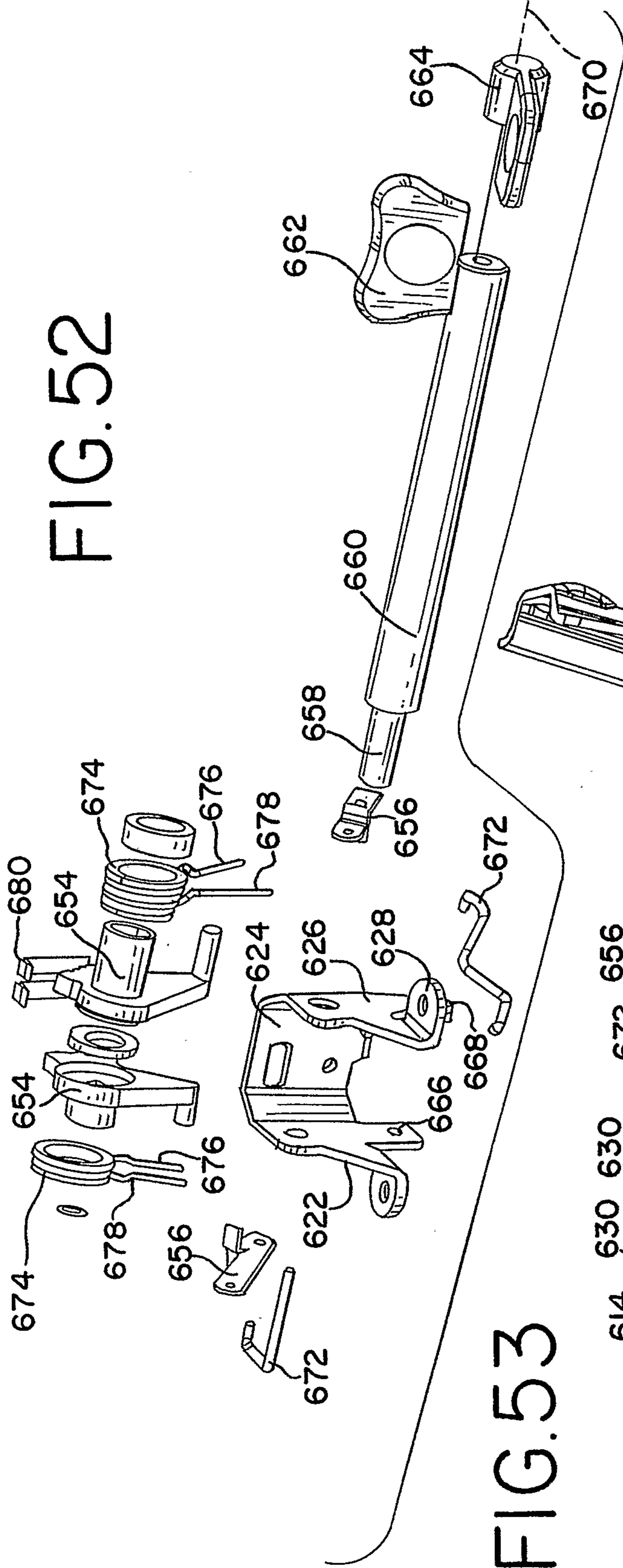


FIG. 53

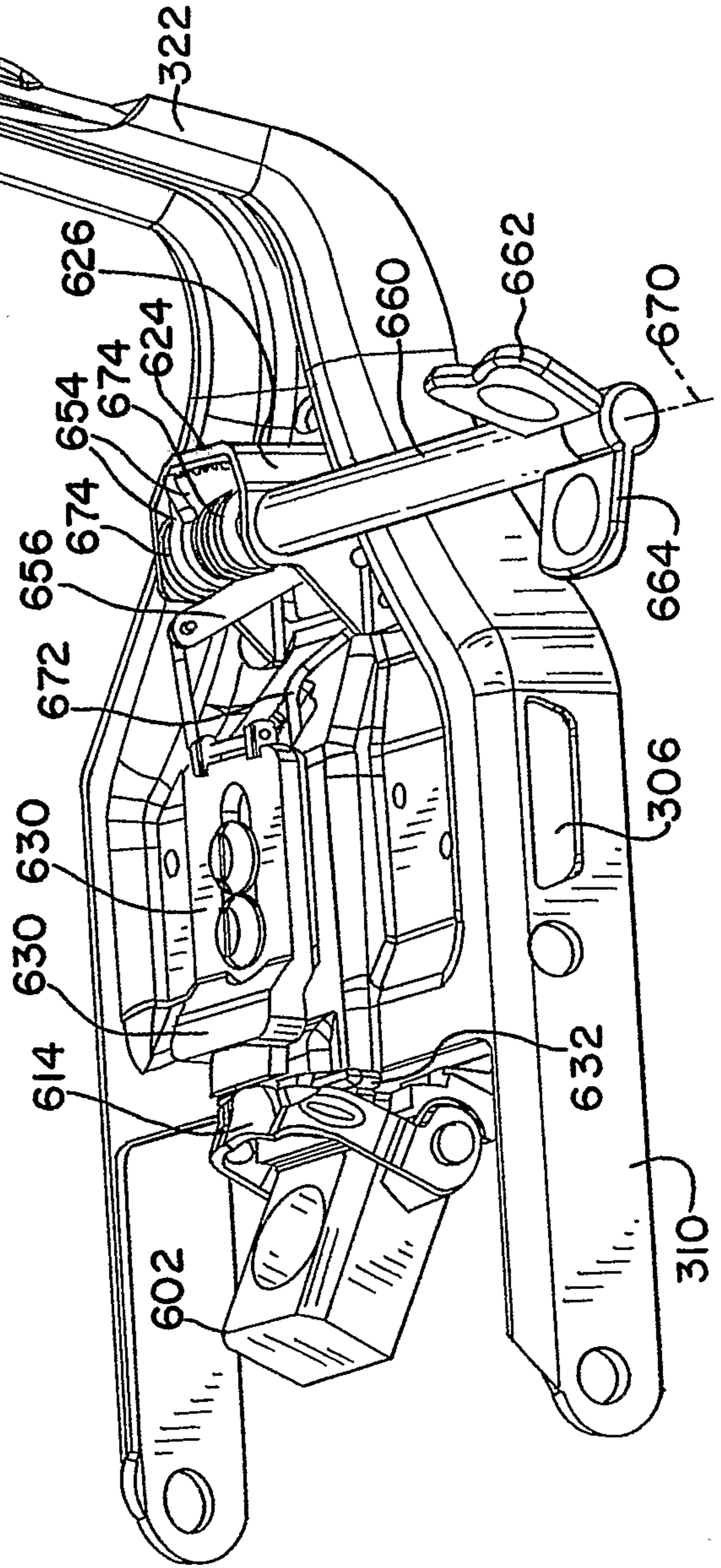


FIG. 54

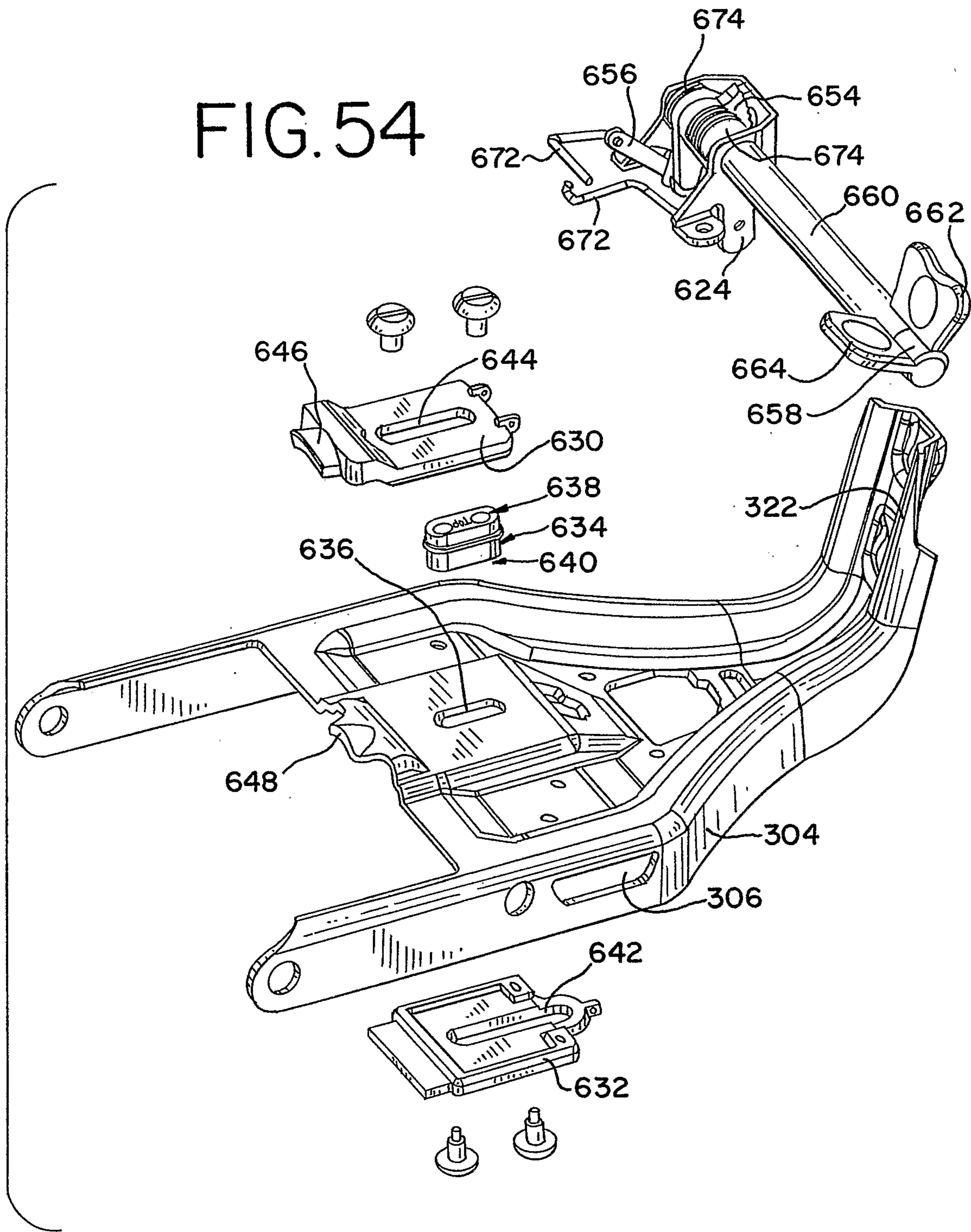


FIG. 55

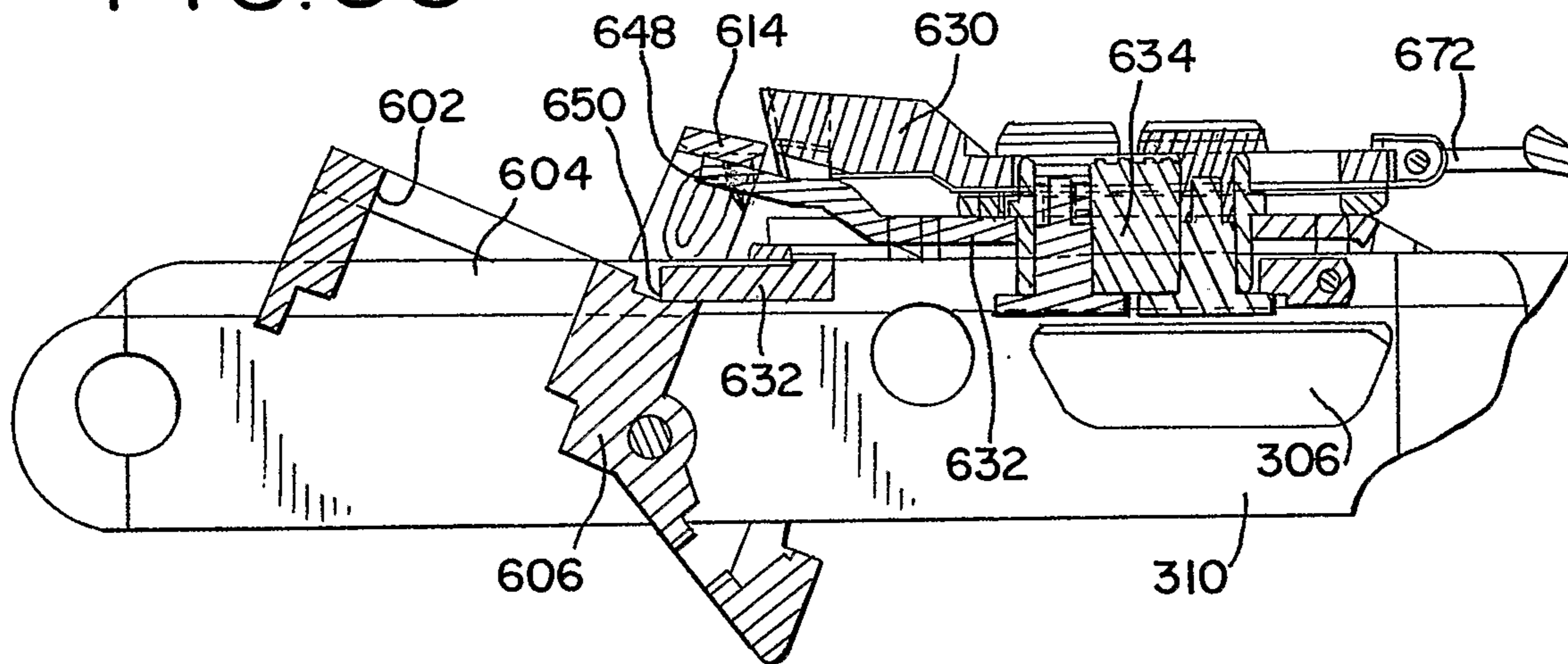


FIG. 56

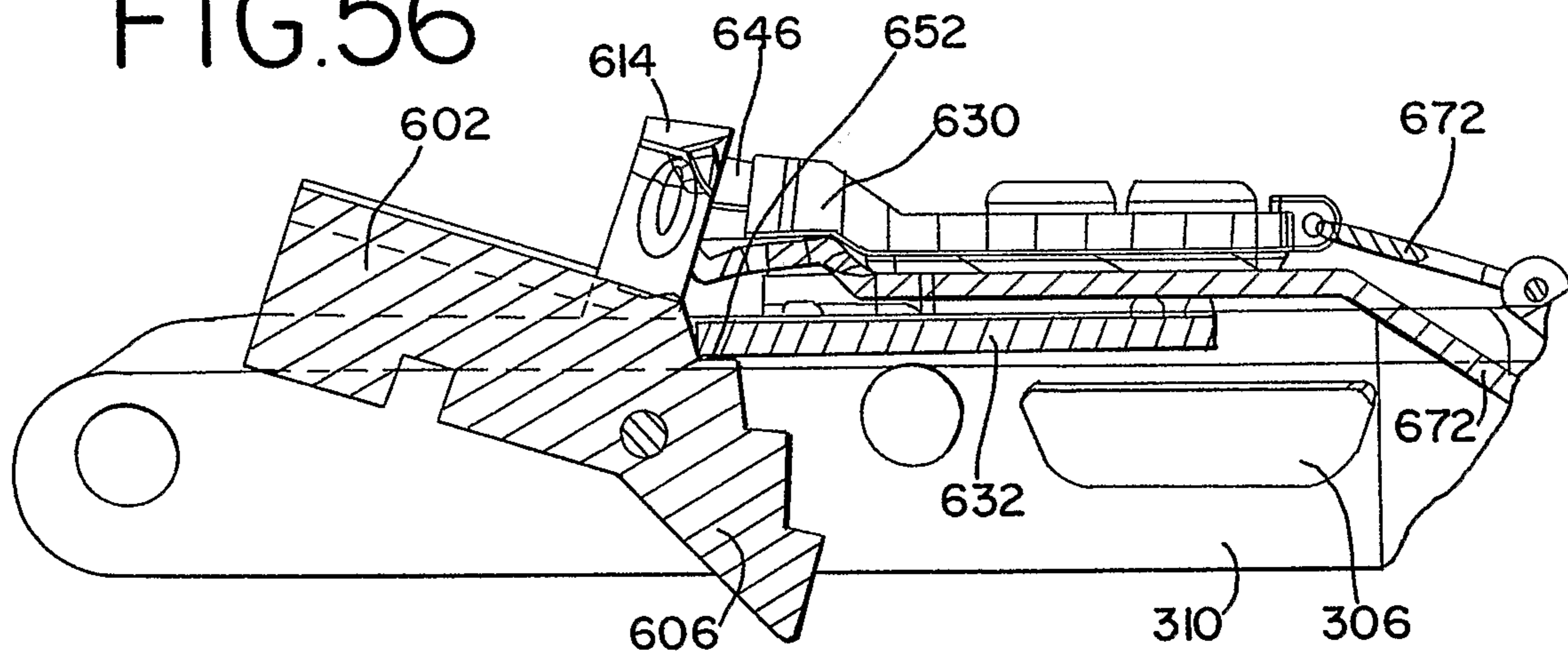
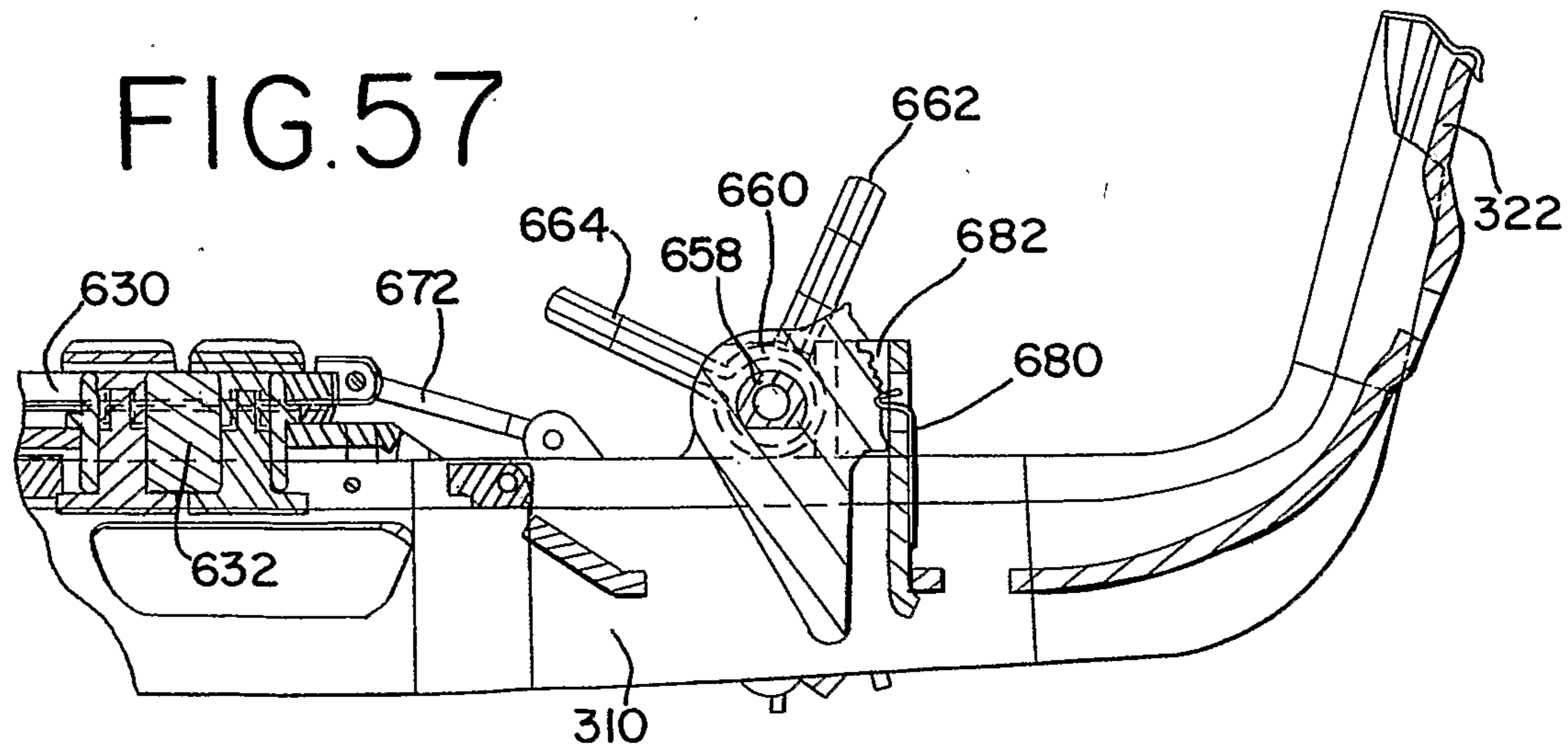
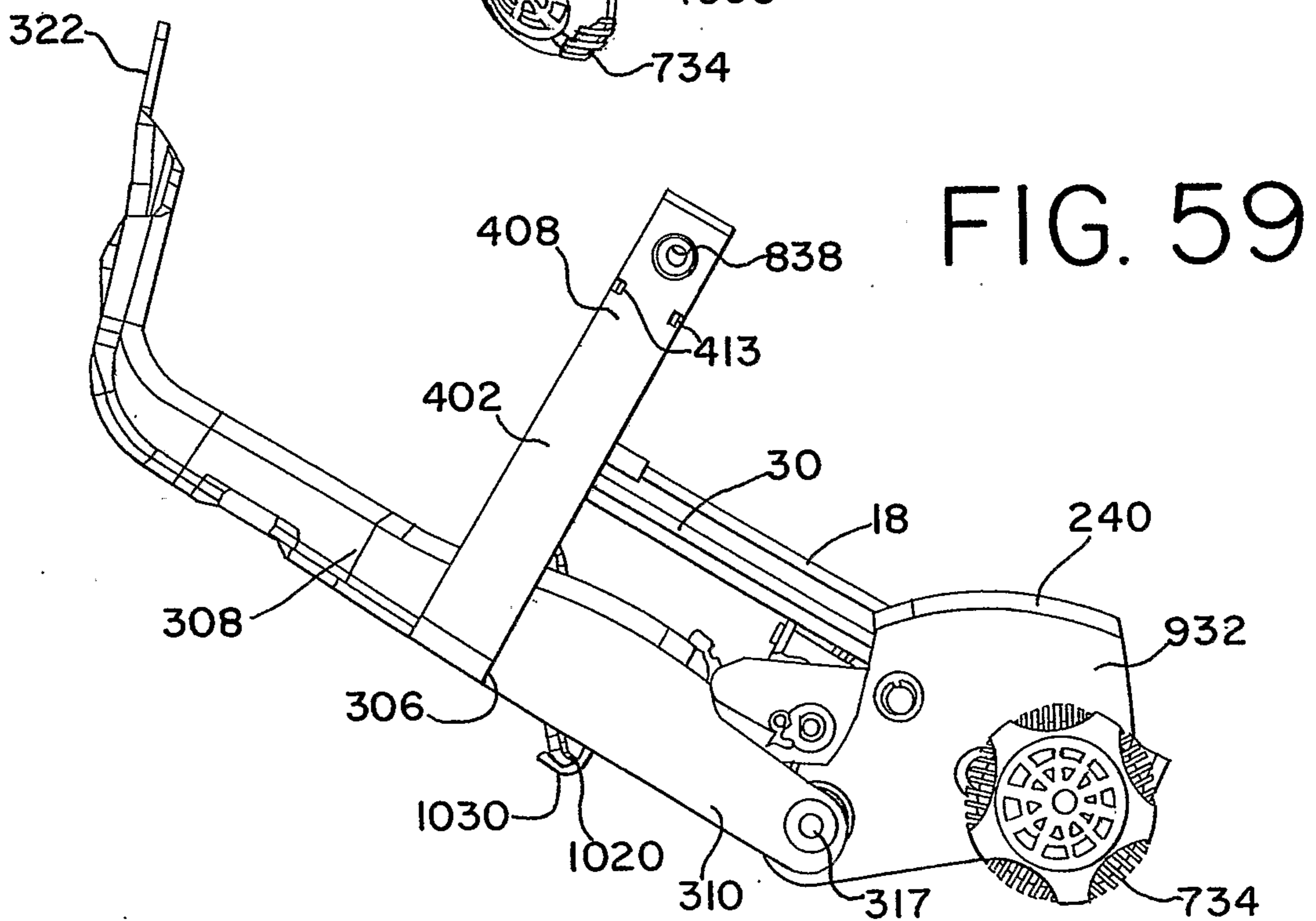
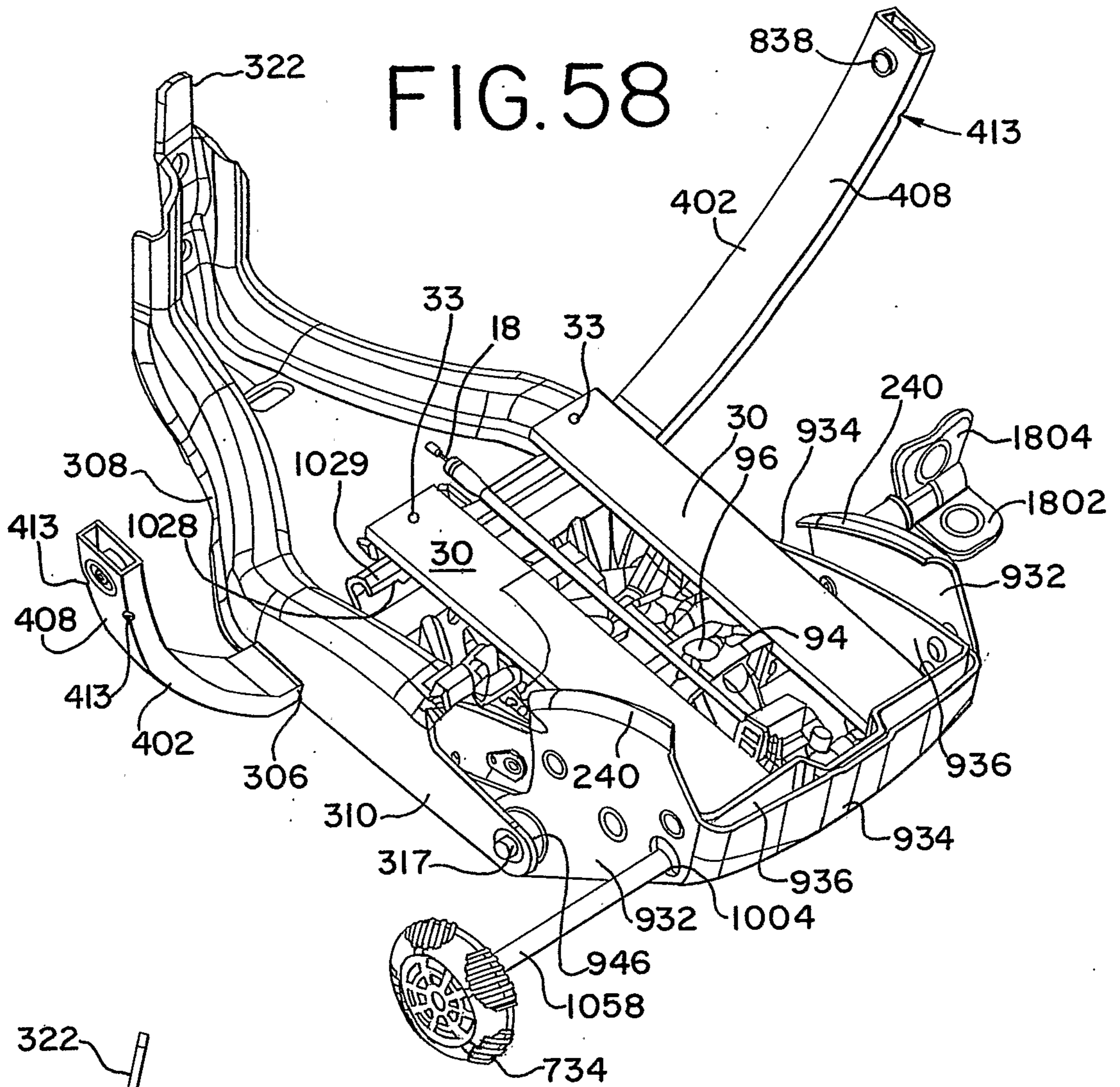


FIG. 57





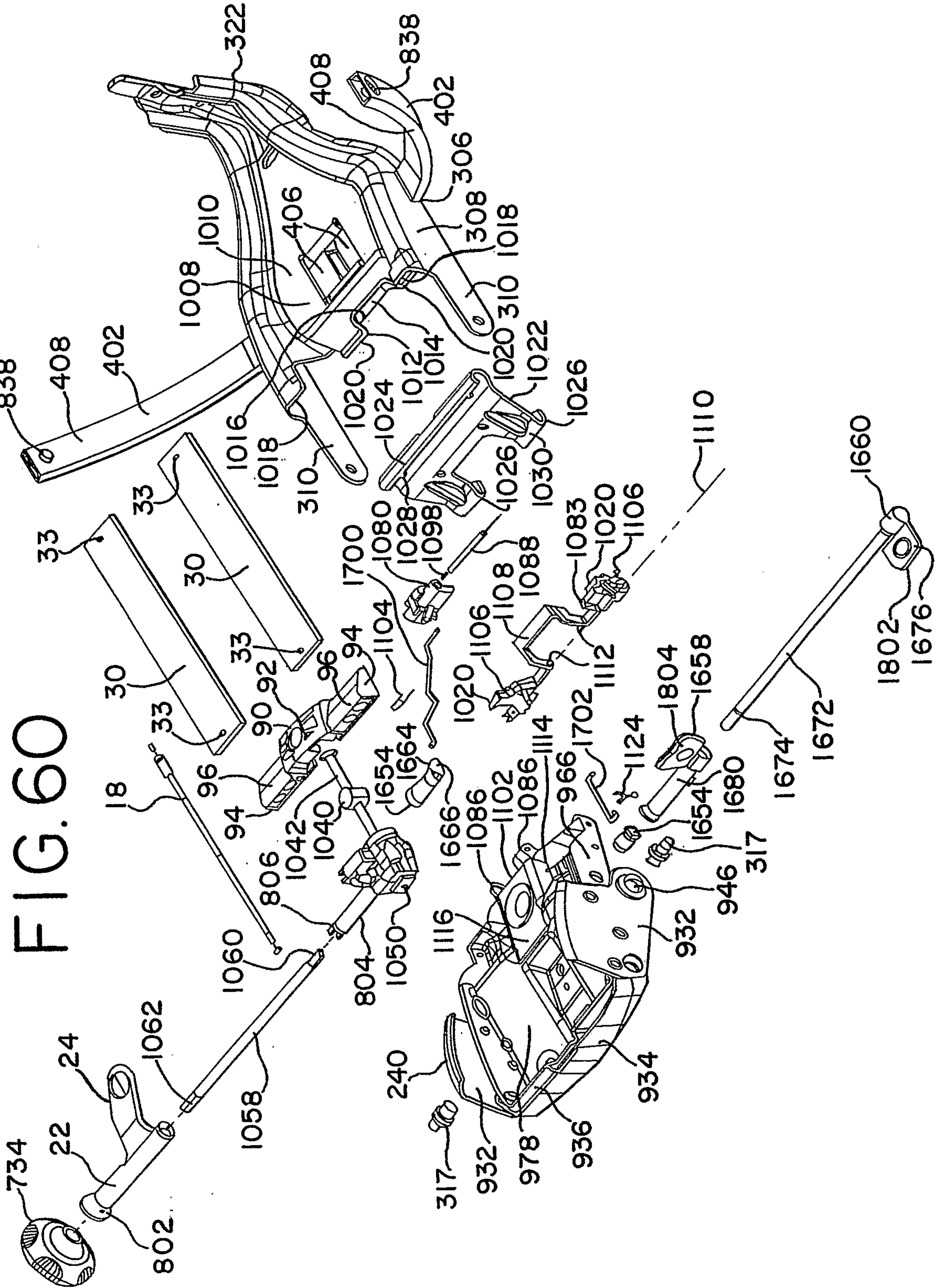


FIG. 61

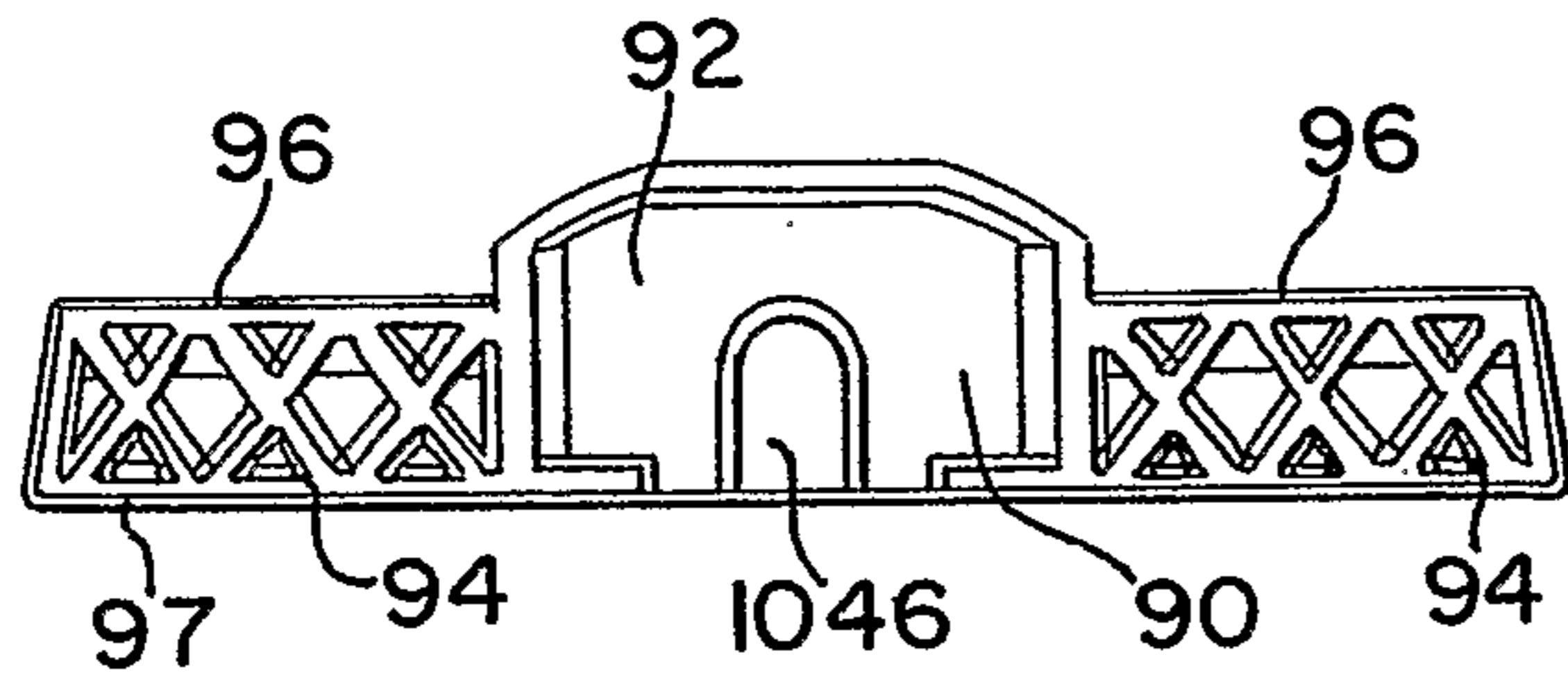


FIG. 62

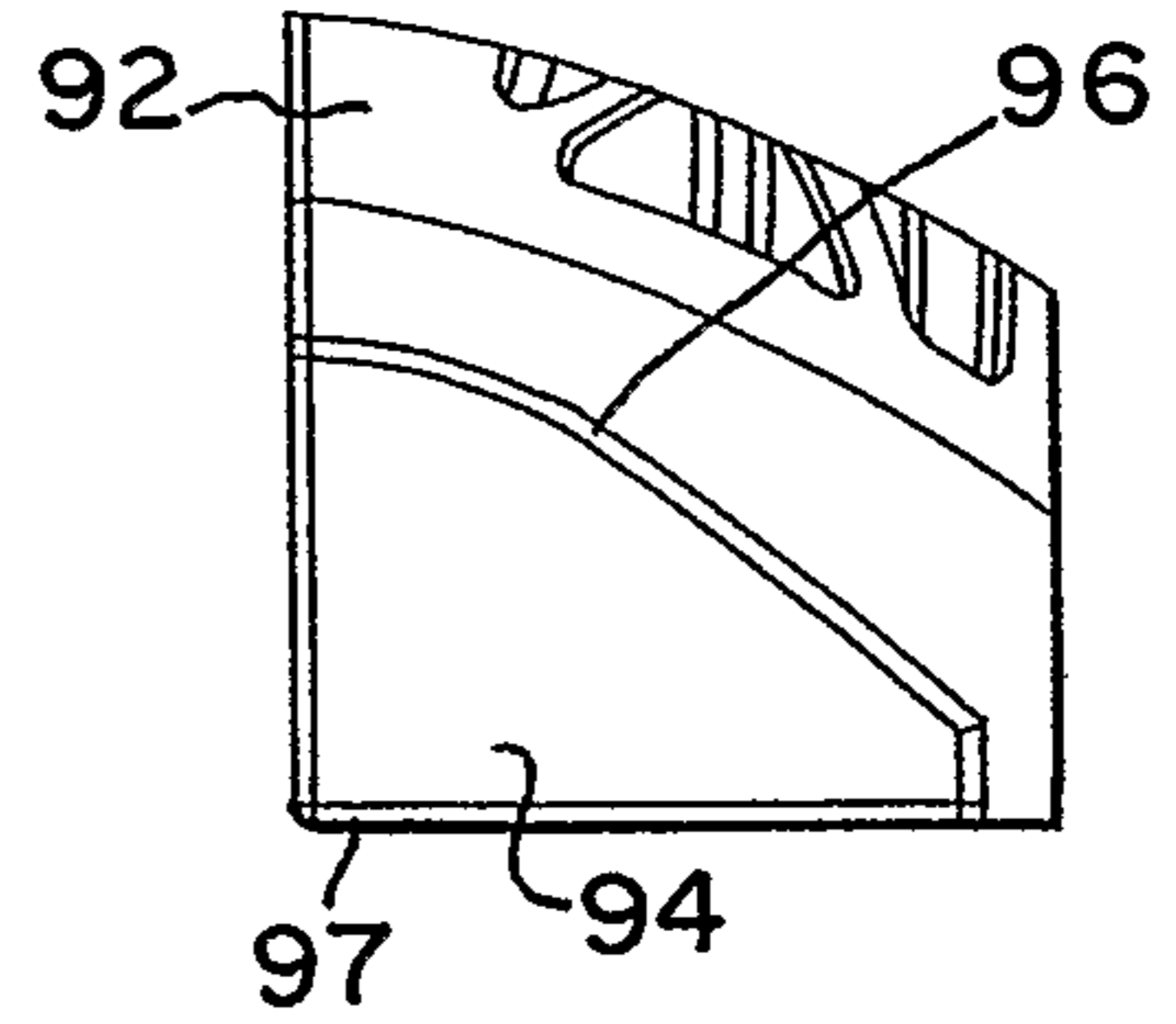


FIG. 63

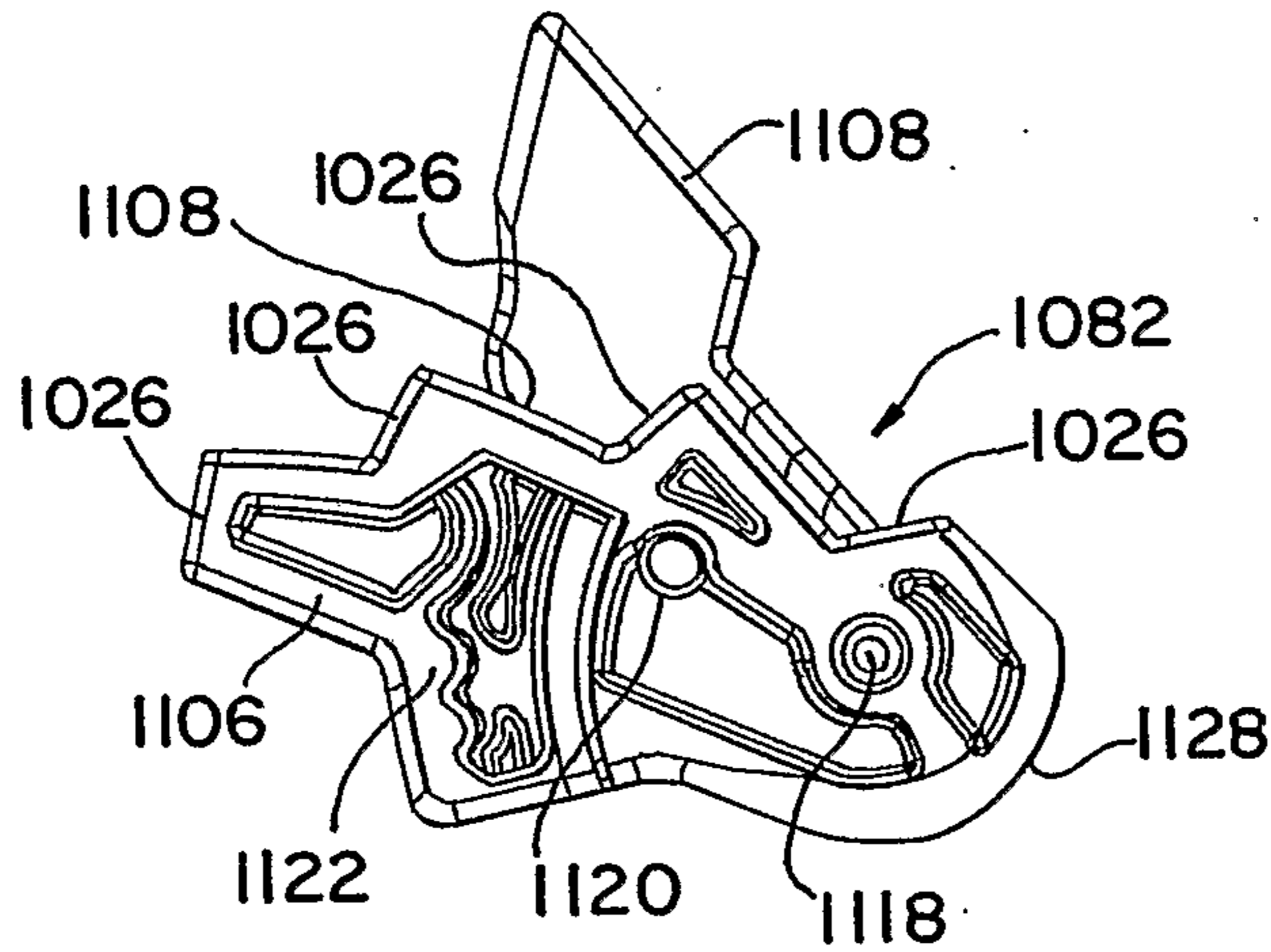


FIG. 64

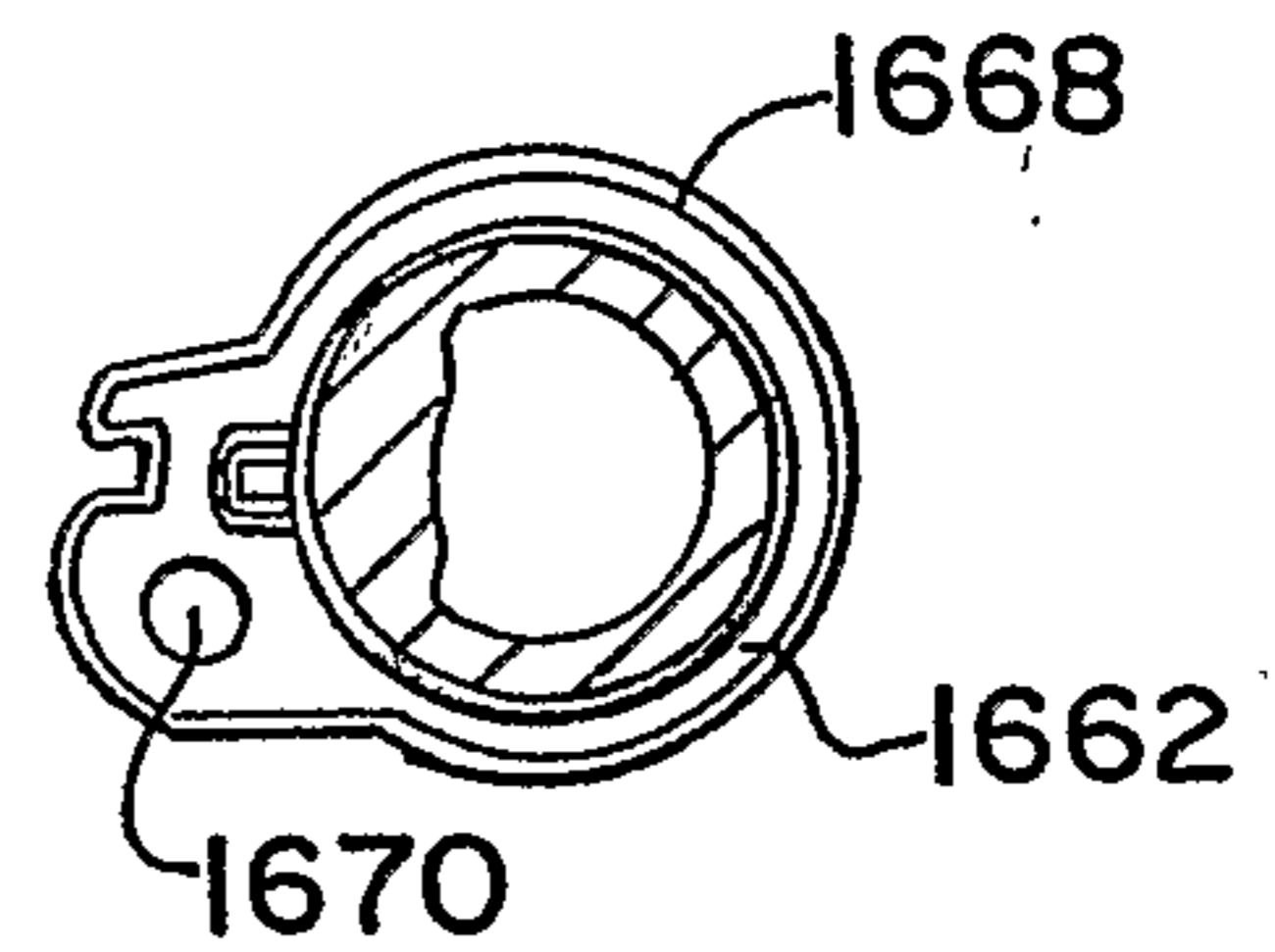


FIG. 65

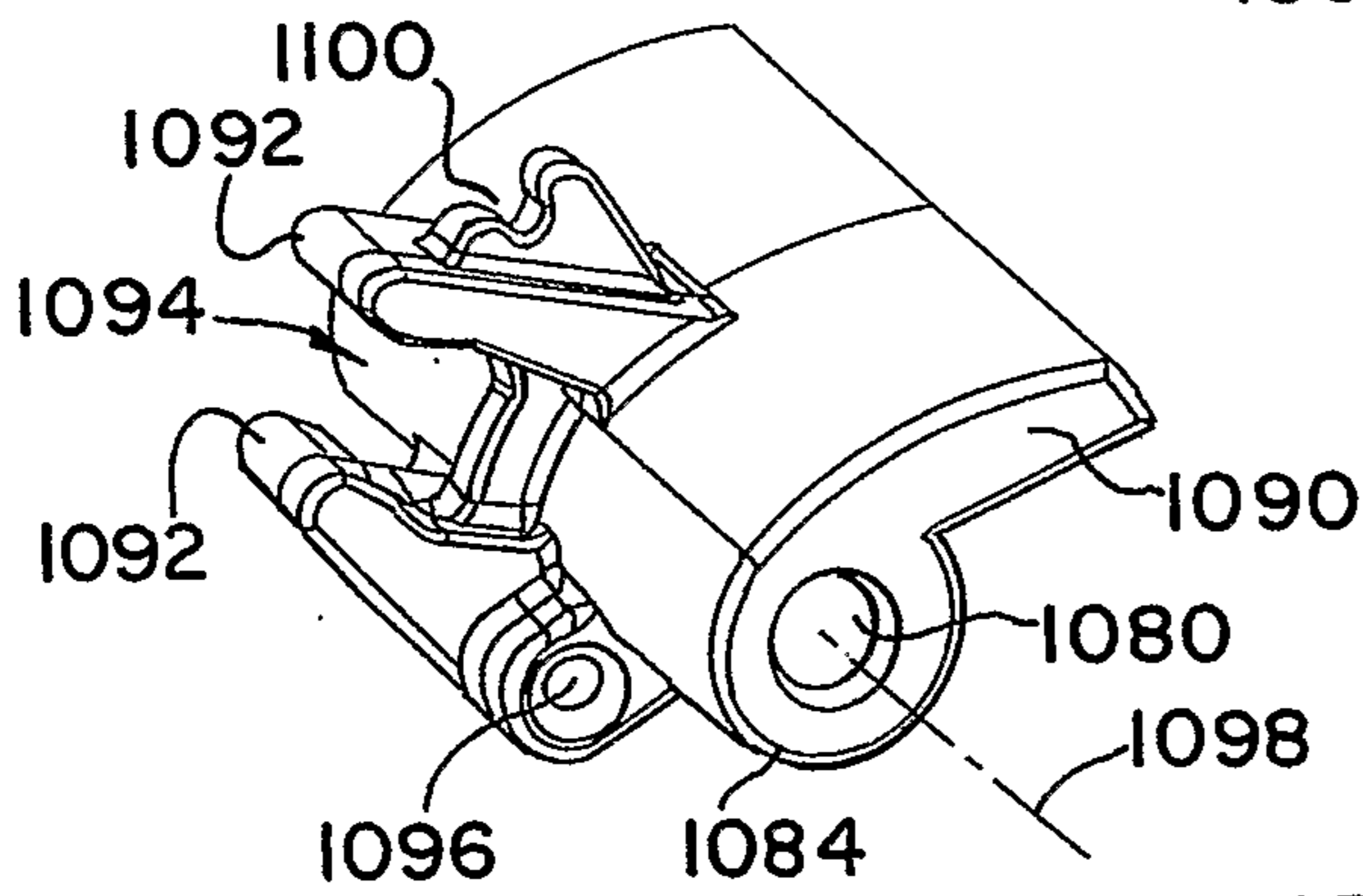


FIG. 66

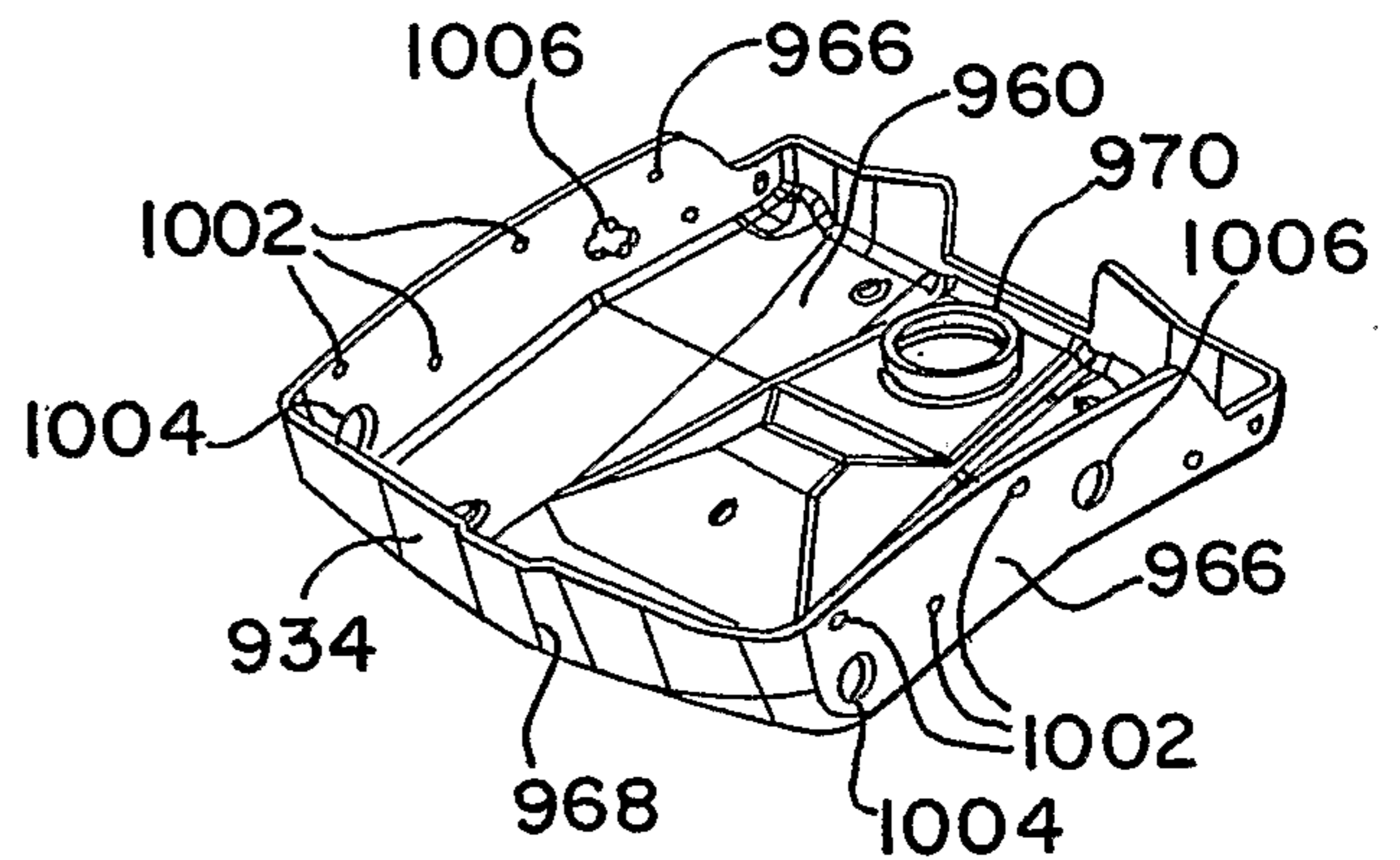


FIG. 67

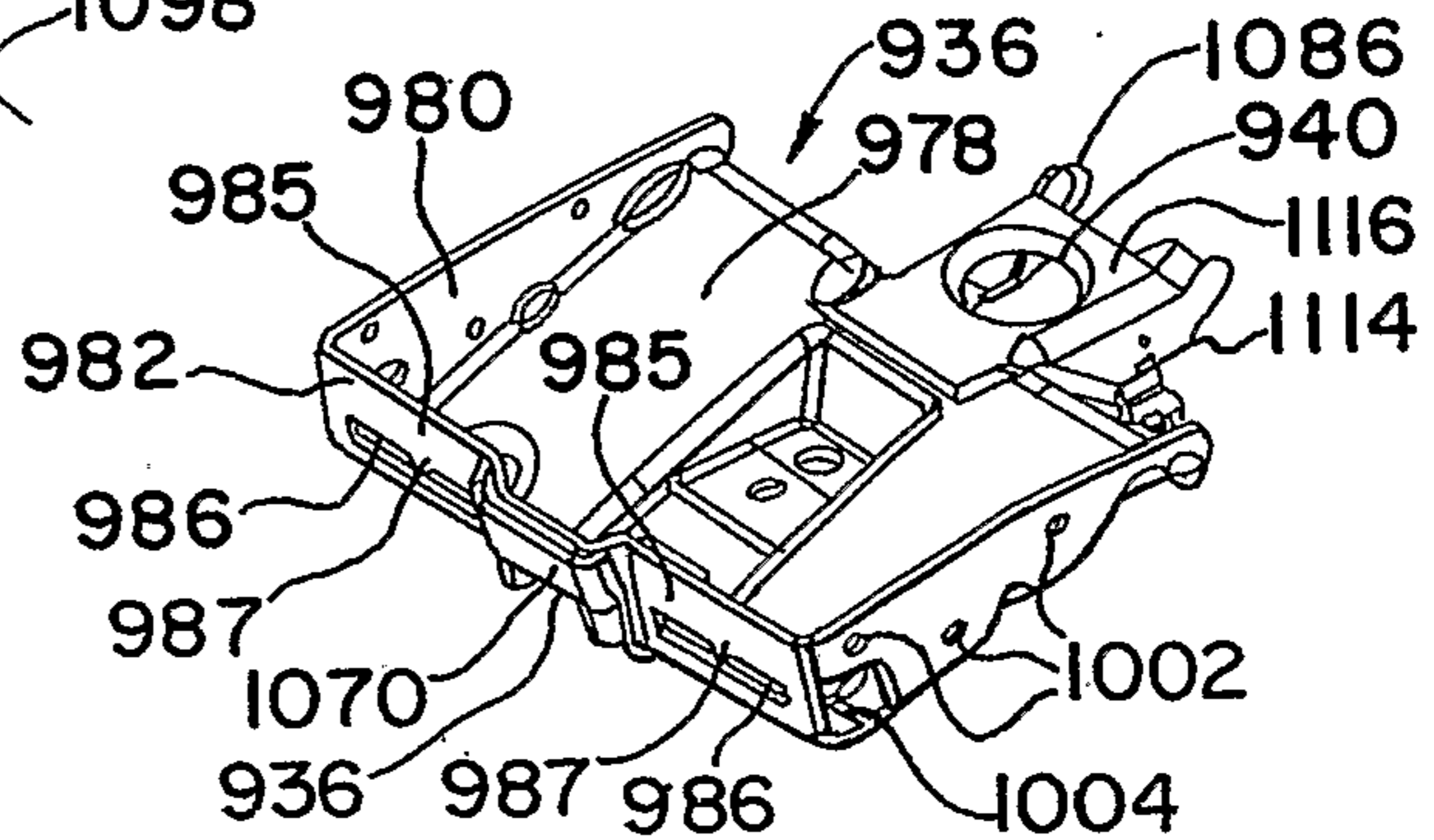


FIG. 68

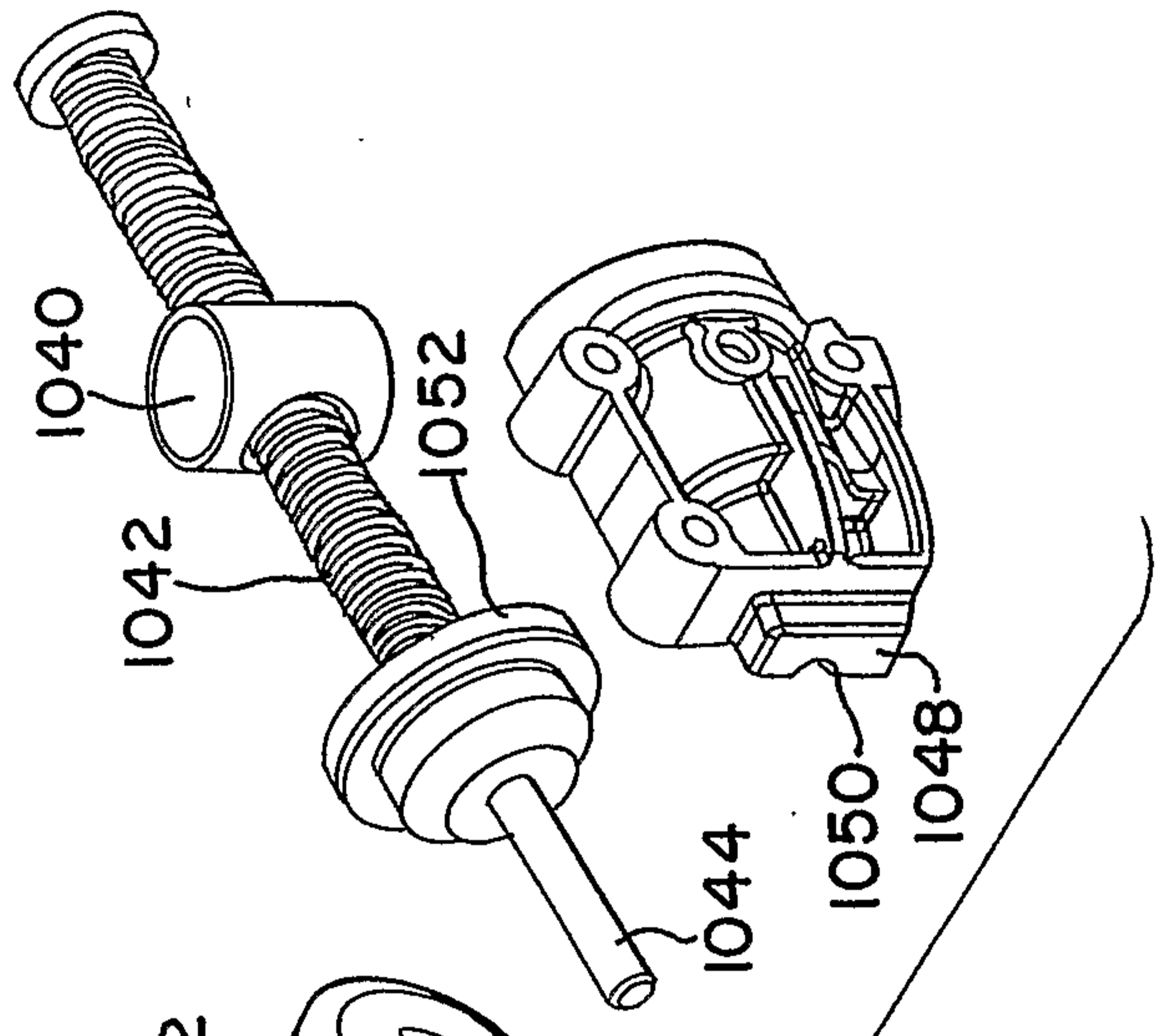
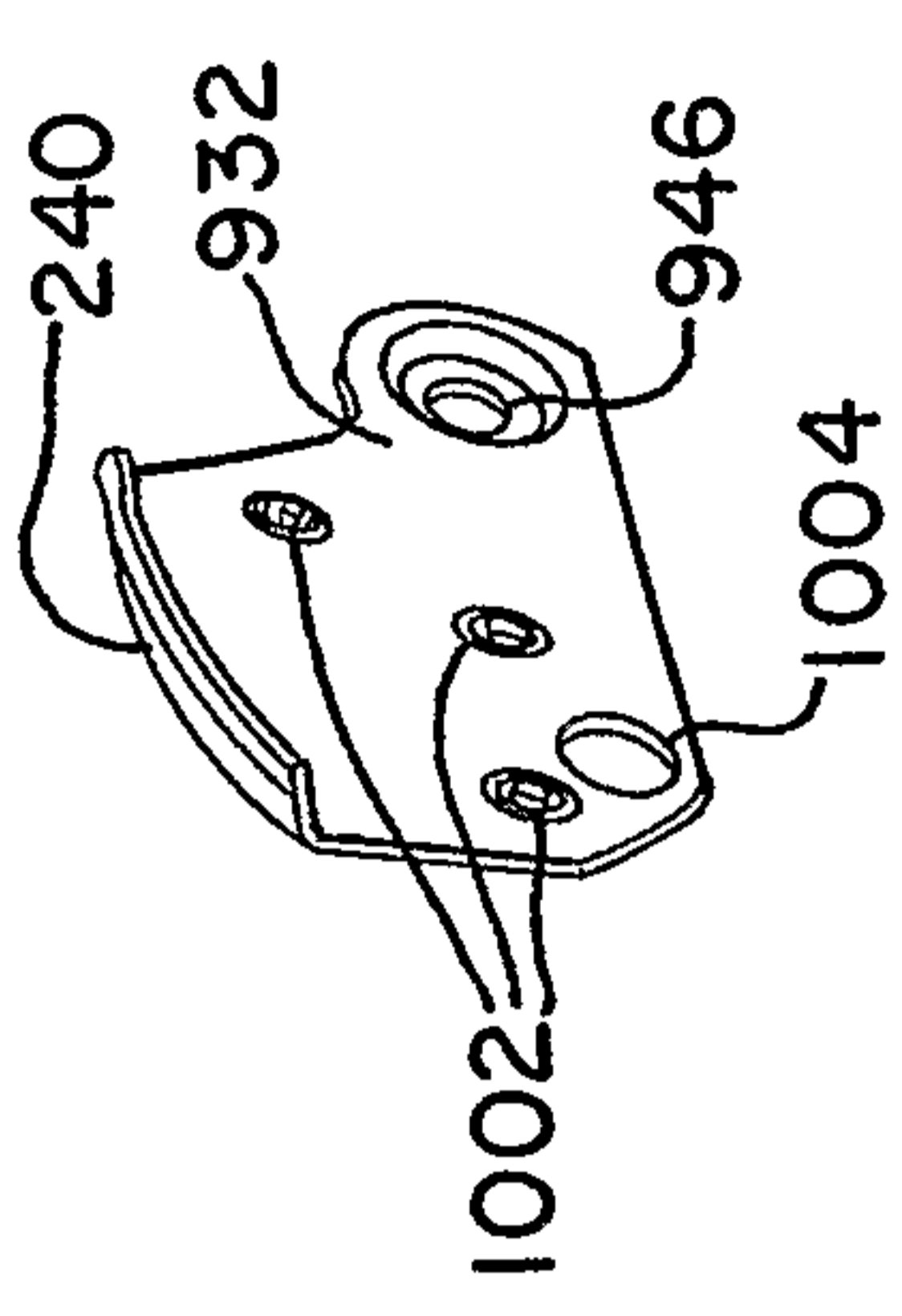


FIG. 69

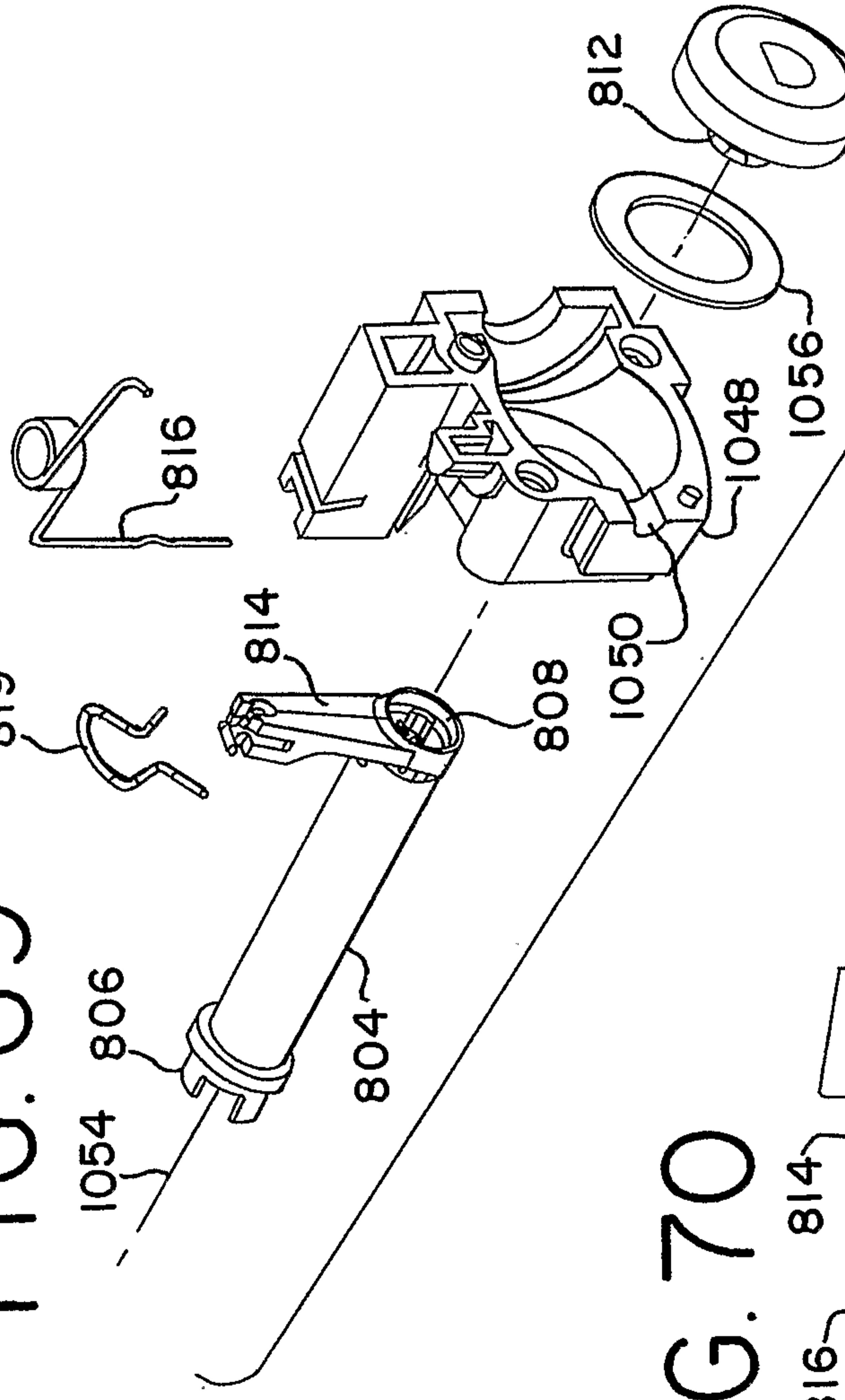


FIG. 70

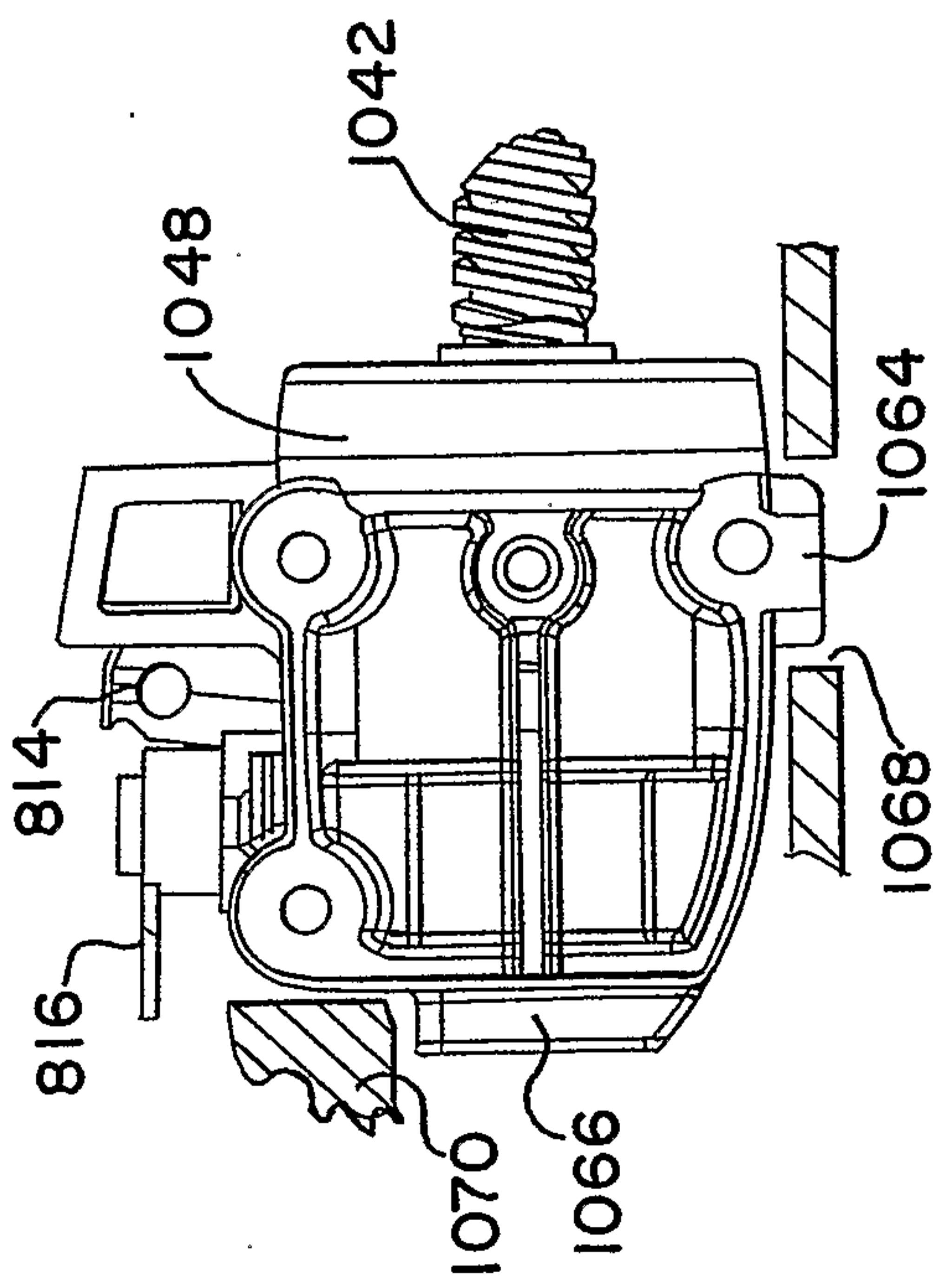
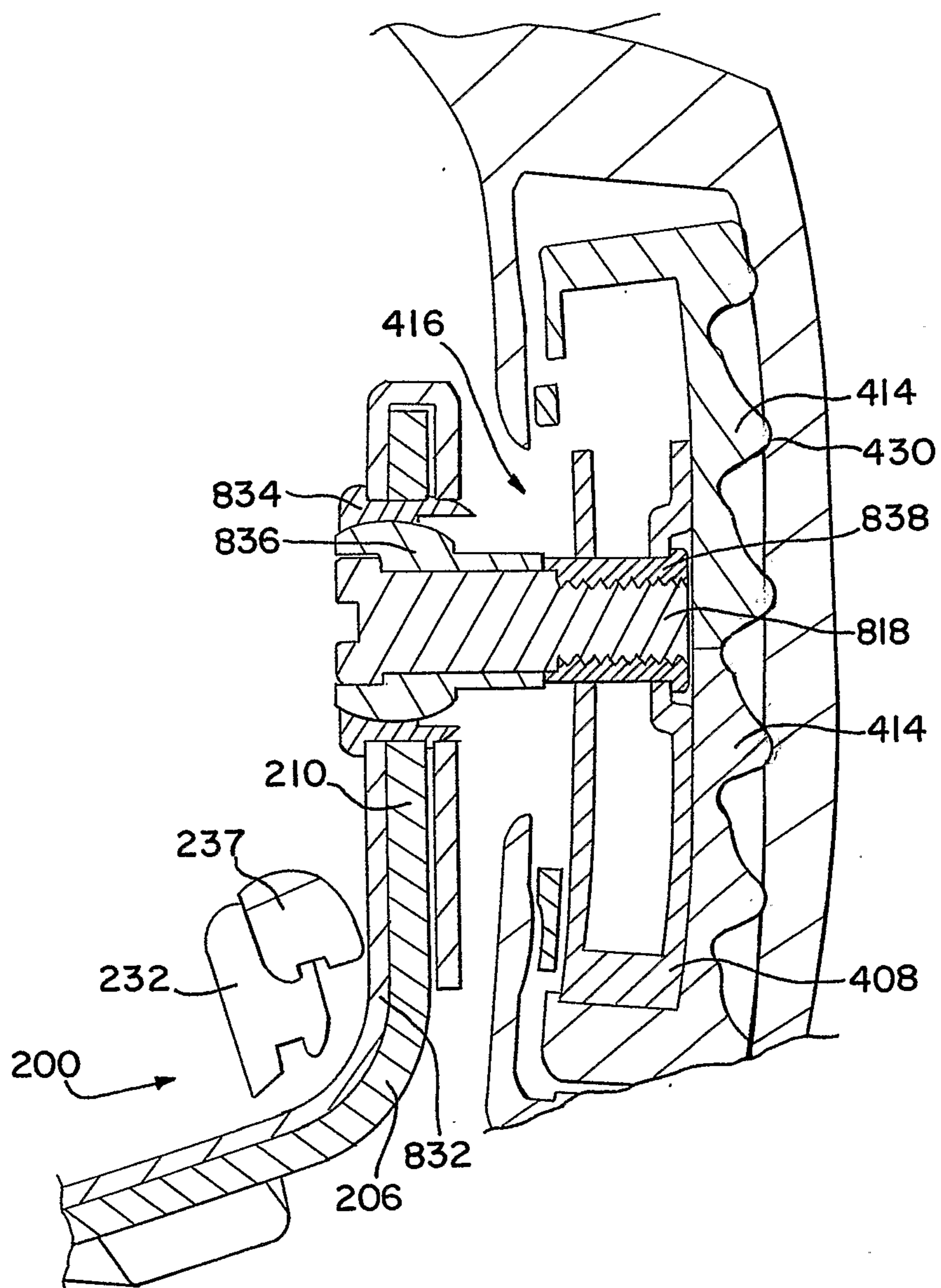
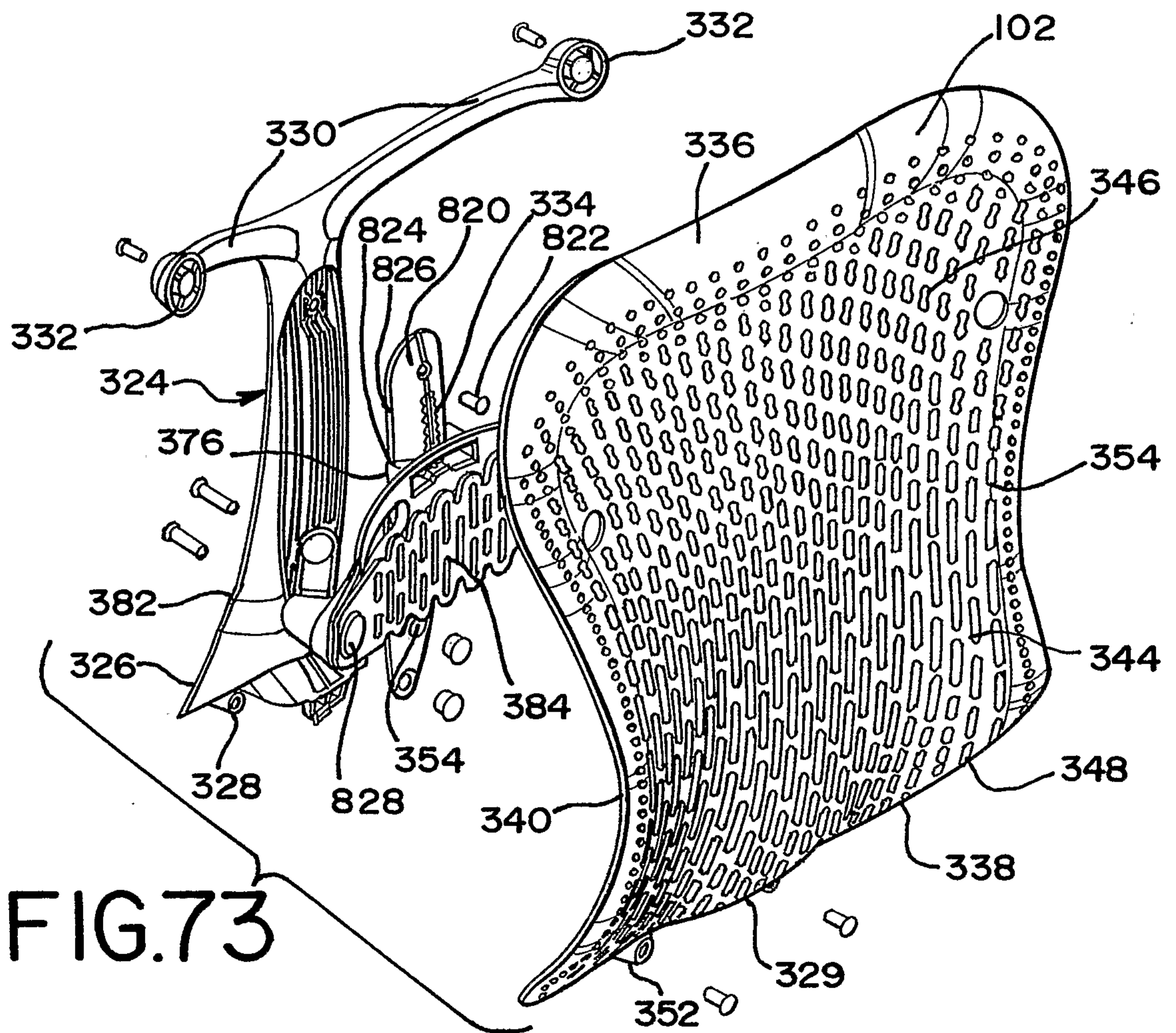
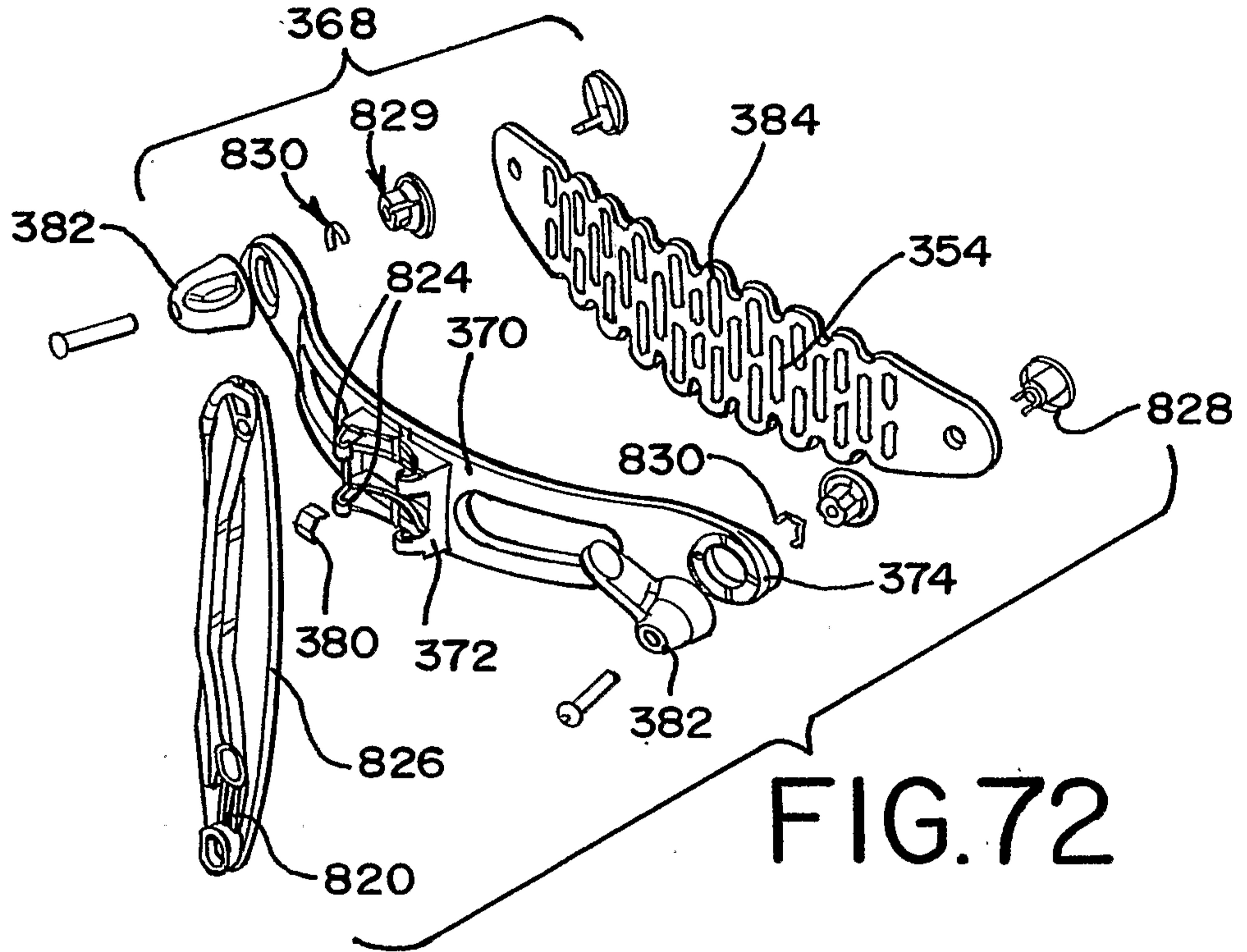


FIG. 71





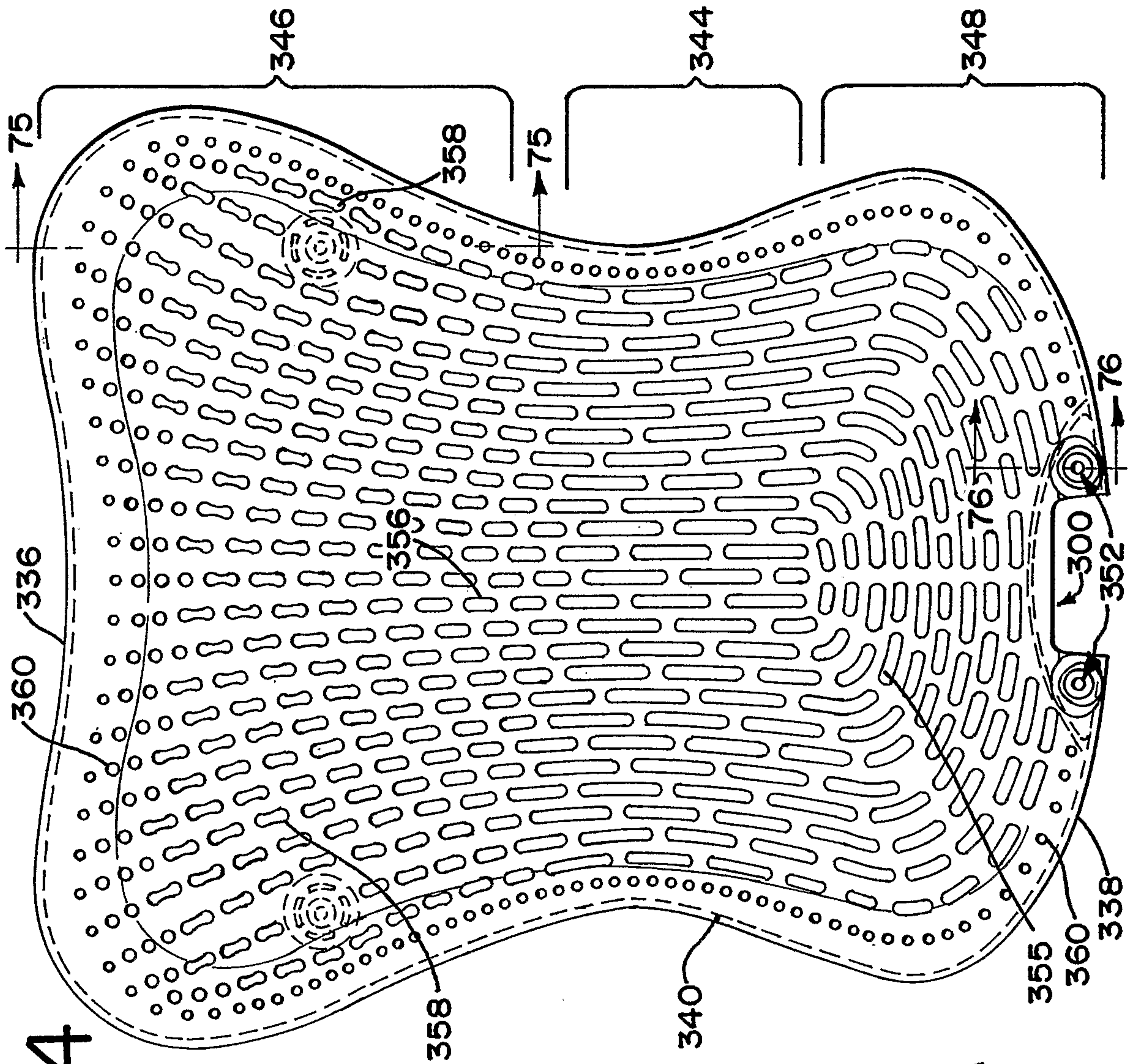
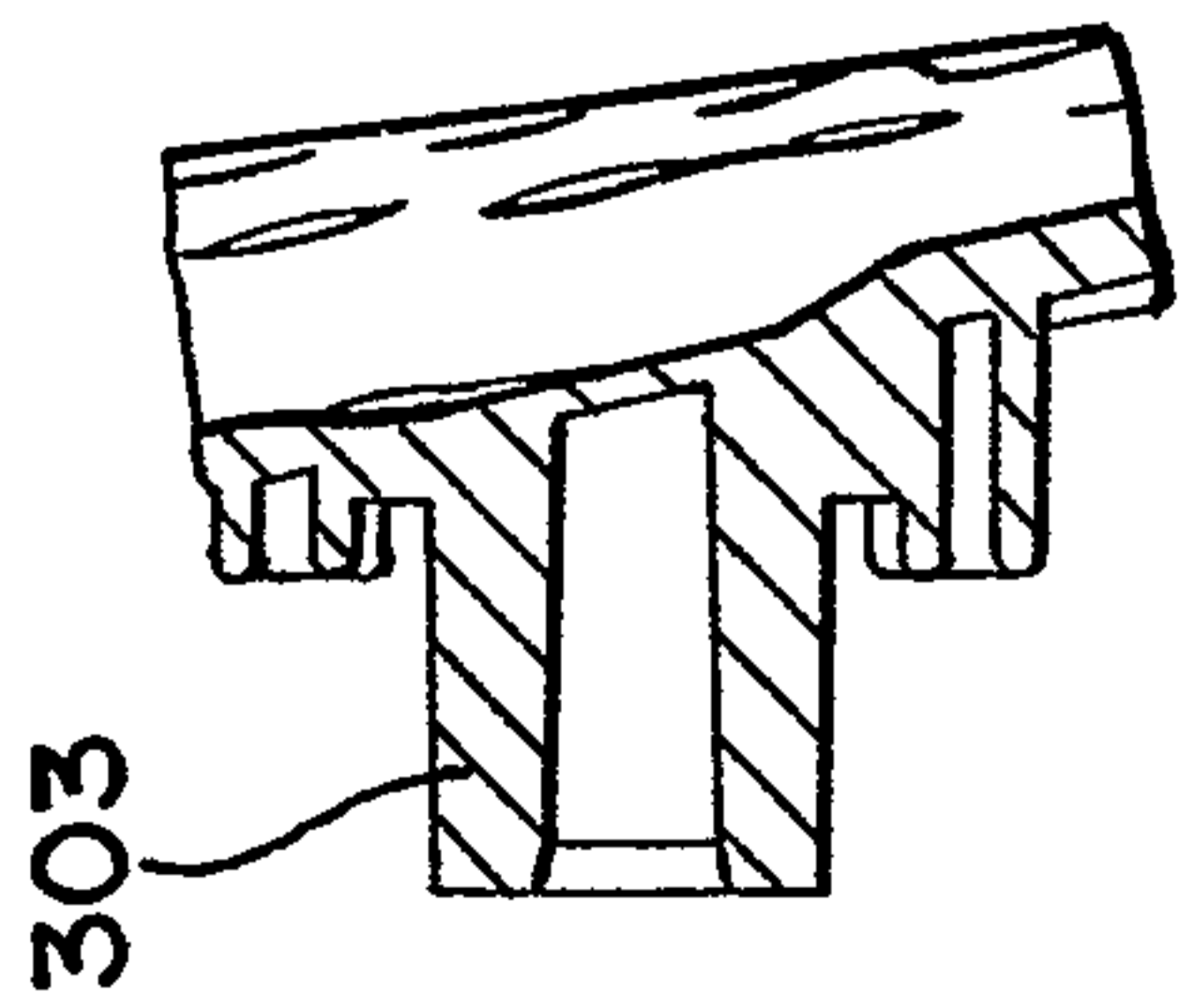


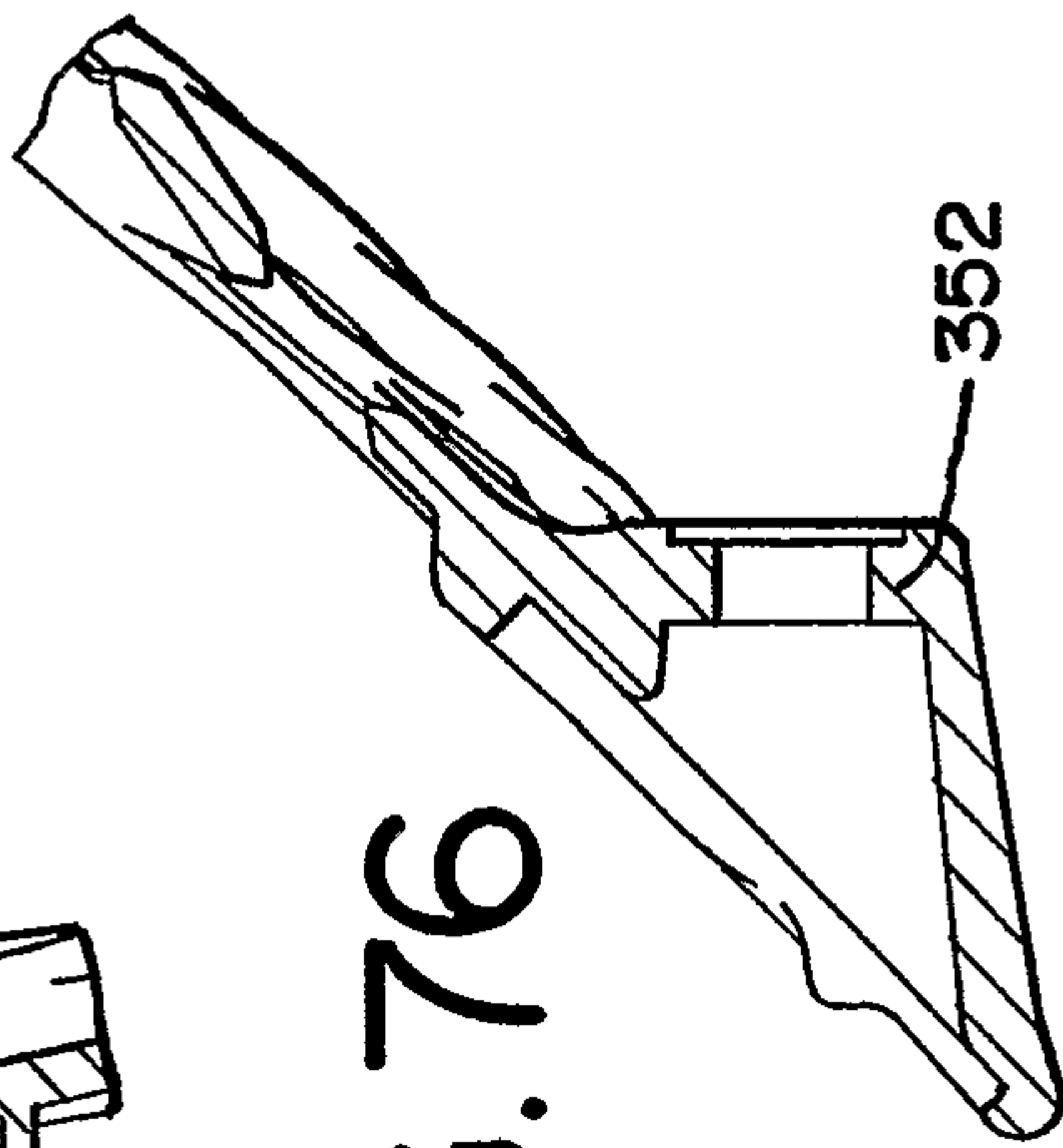
FIG. 74

FIG. 75



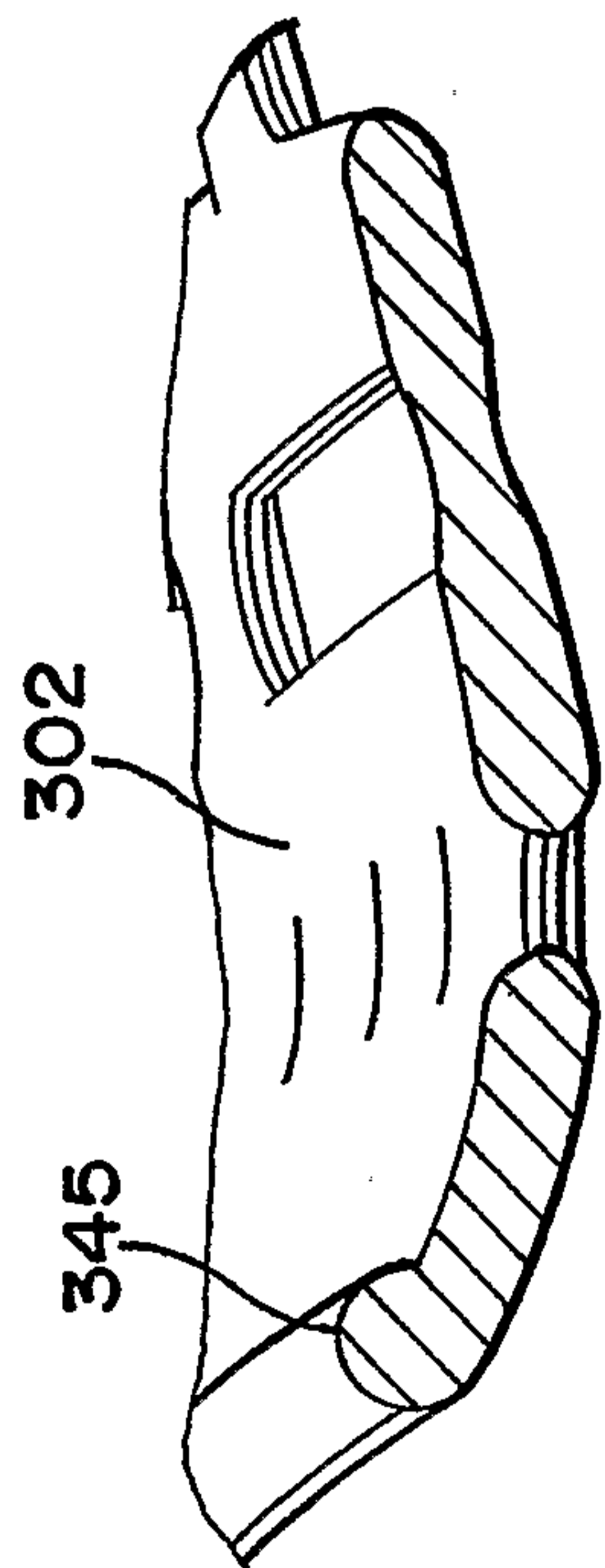
303

FIG. 76



352

FIG. 77



302

345

FIG.78

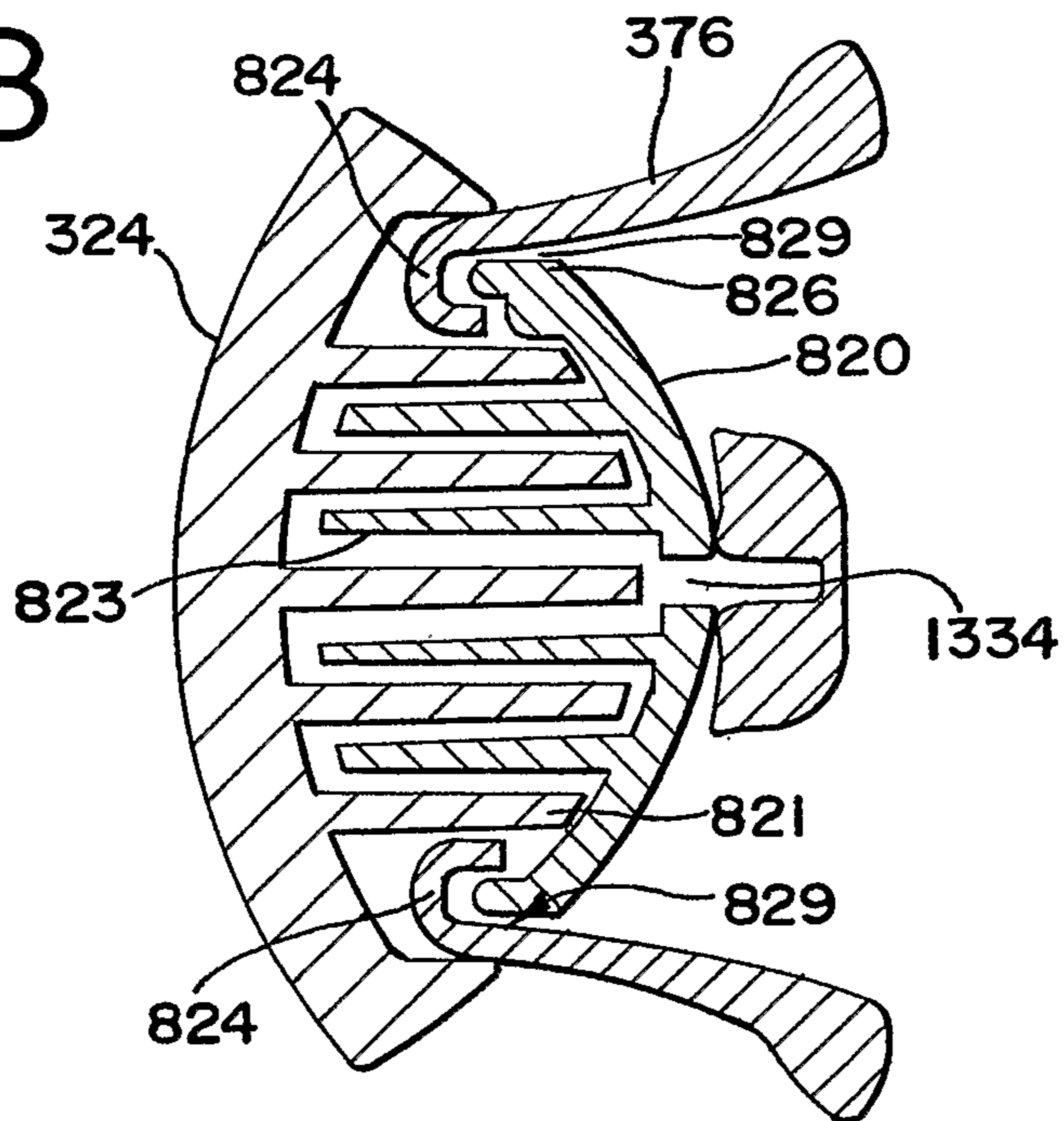


FIG.79

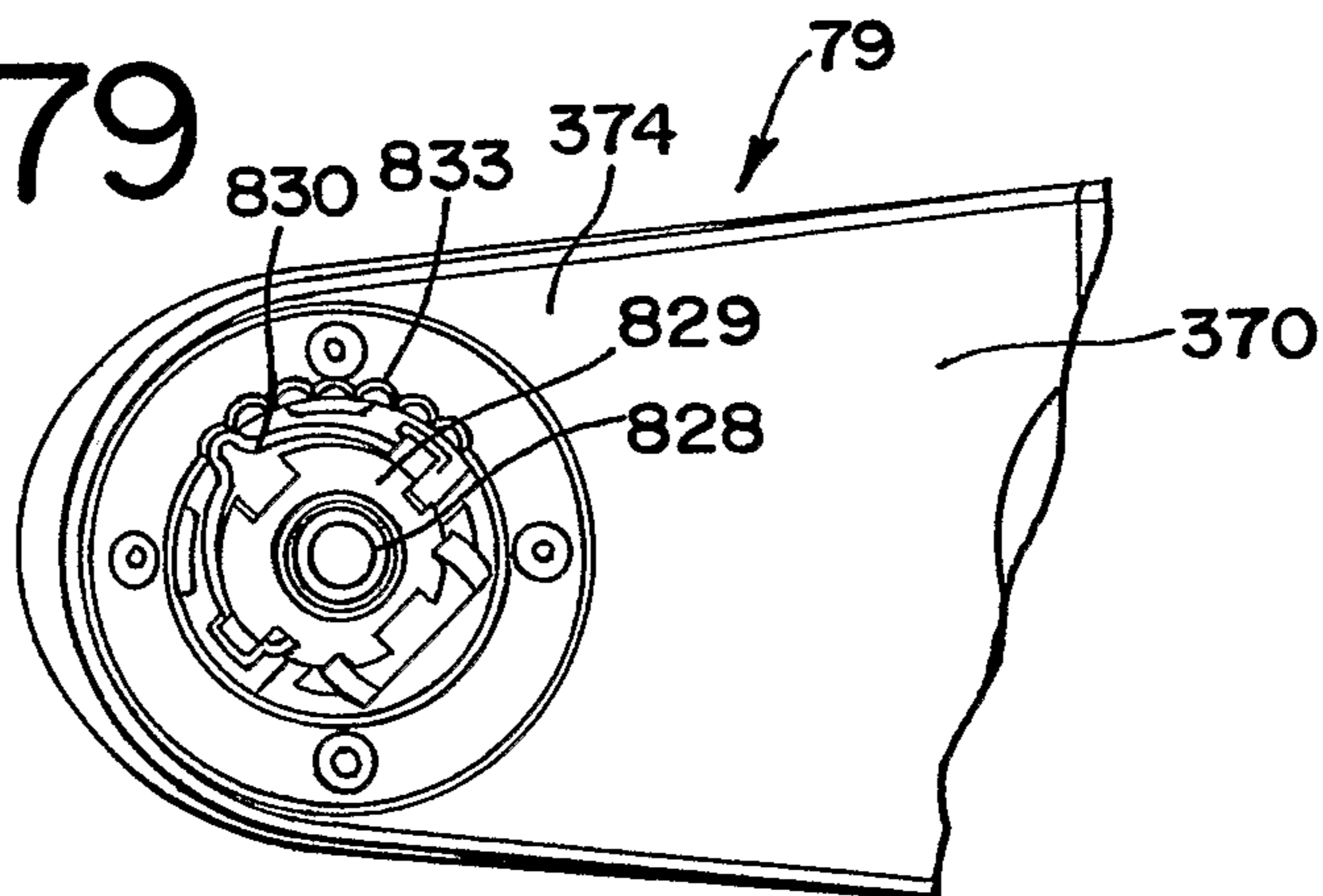
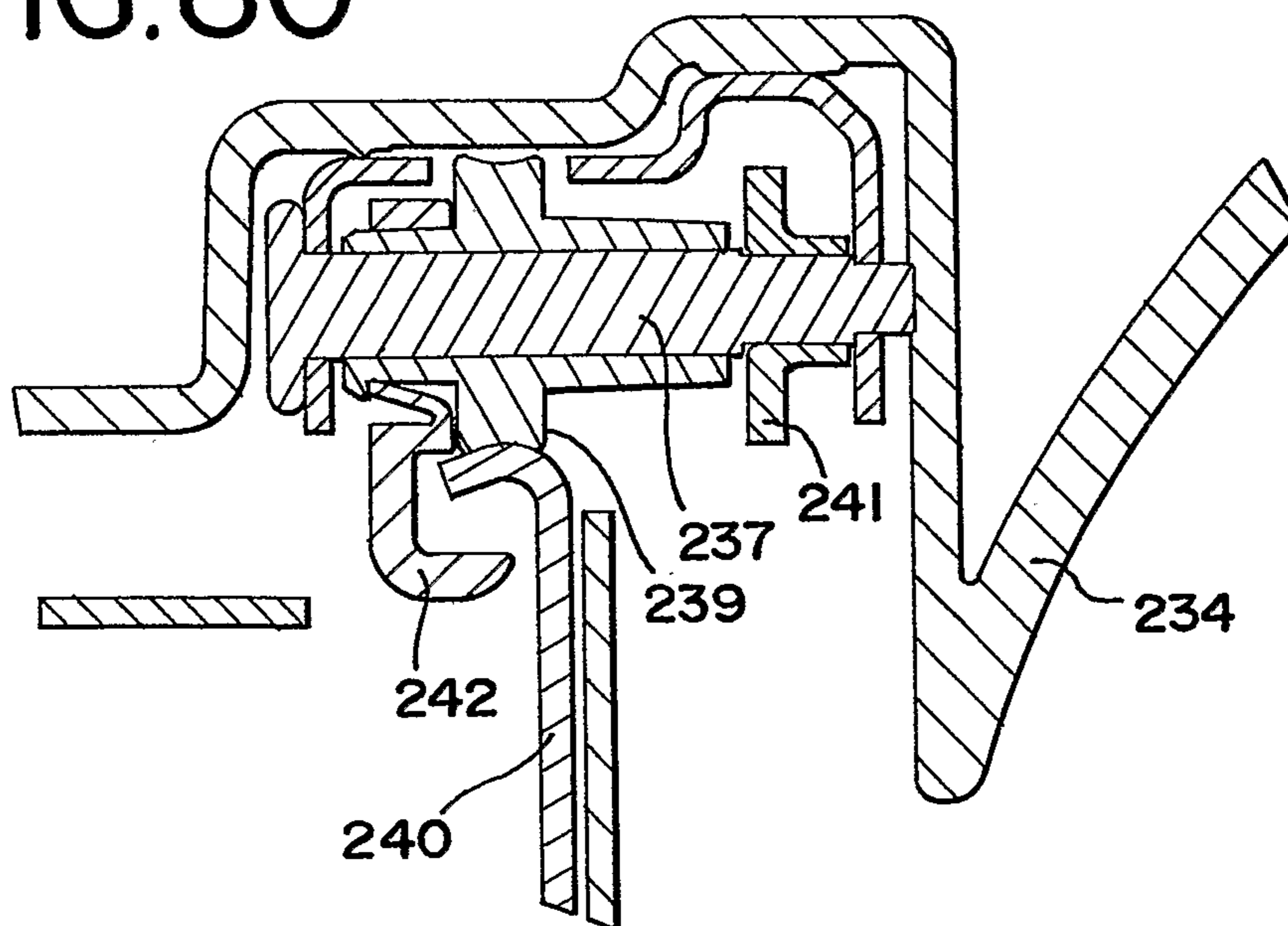


FIG.80



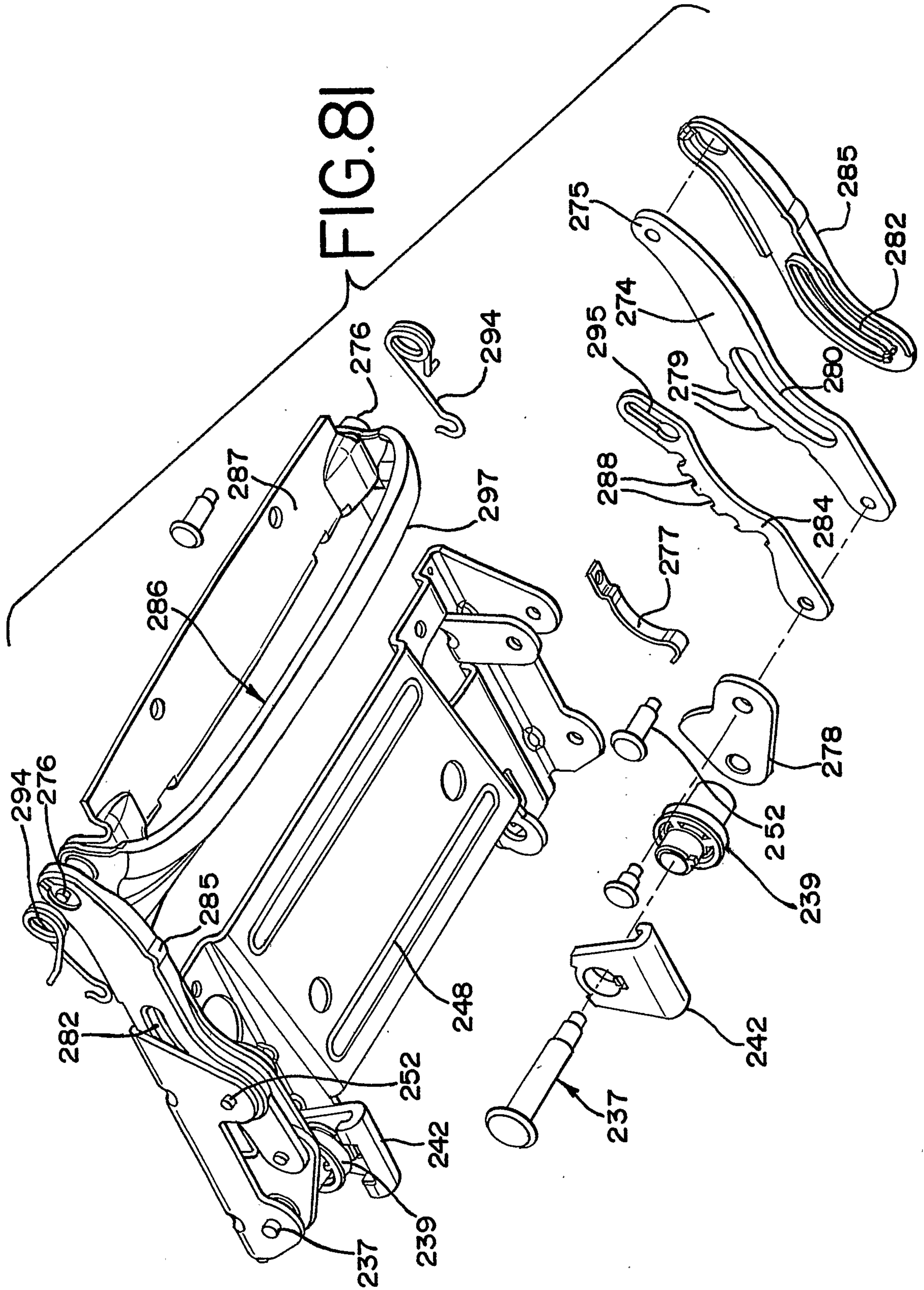
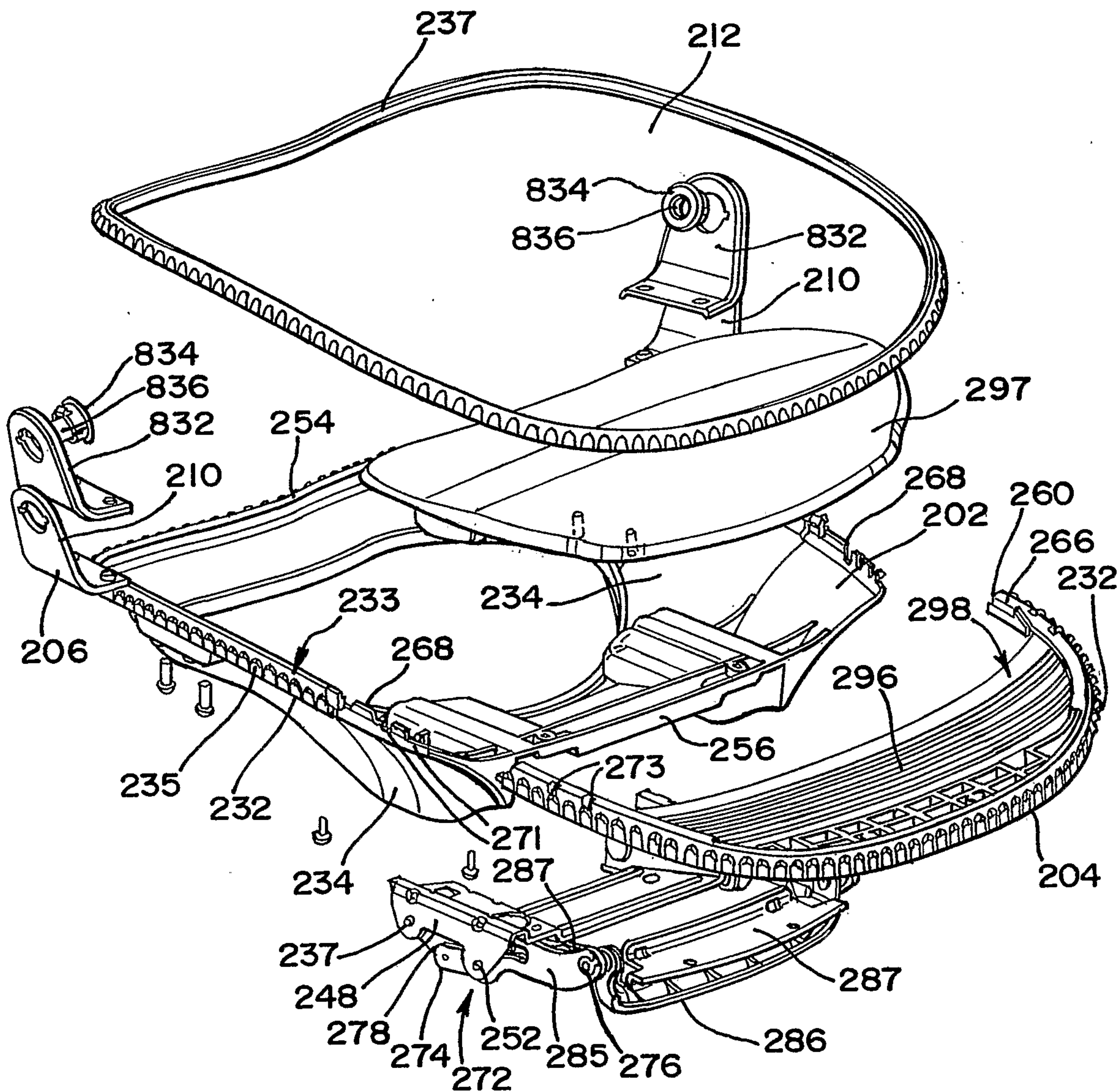


FIG.82



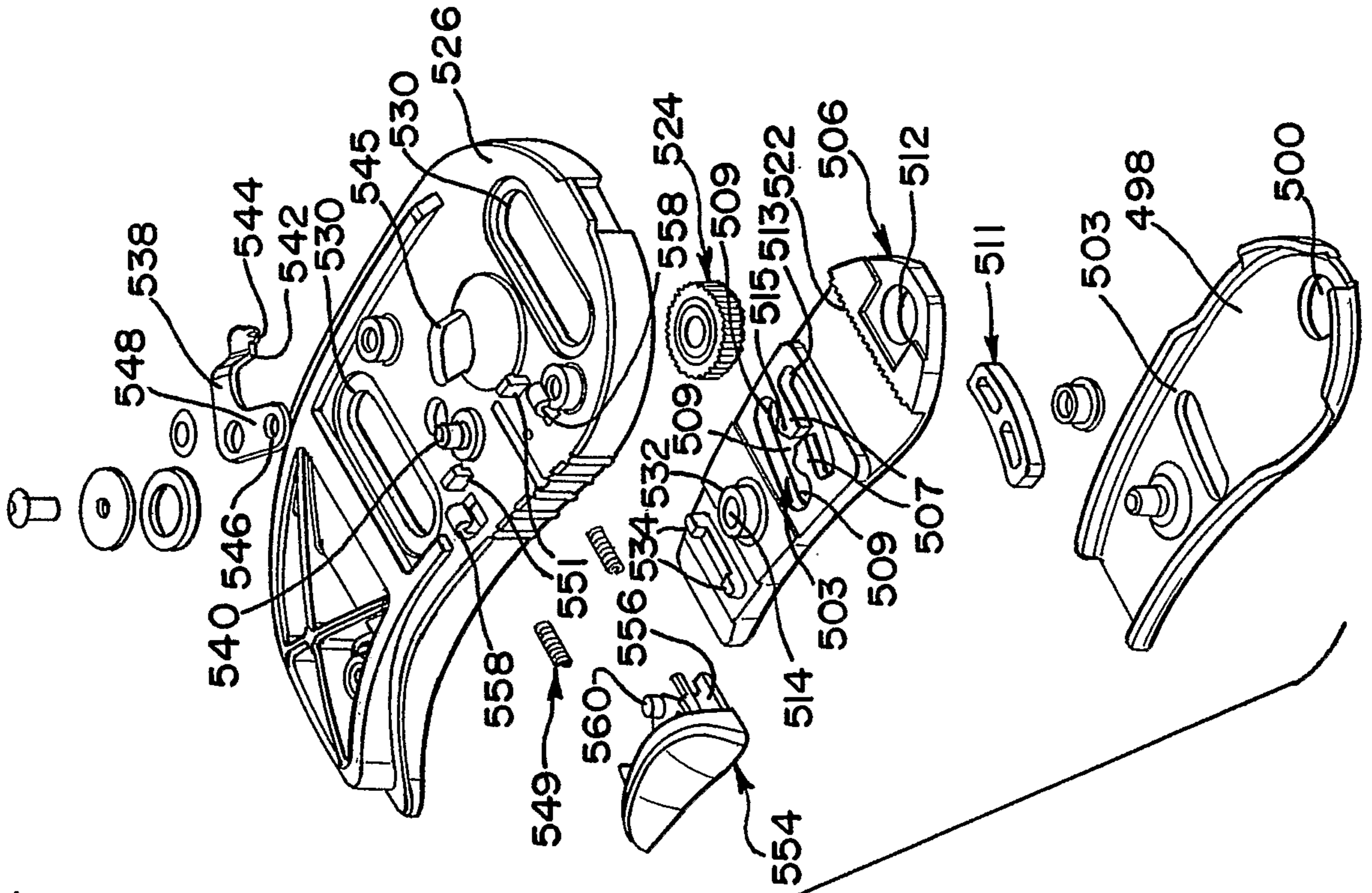


FIG.84

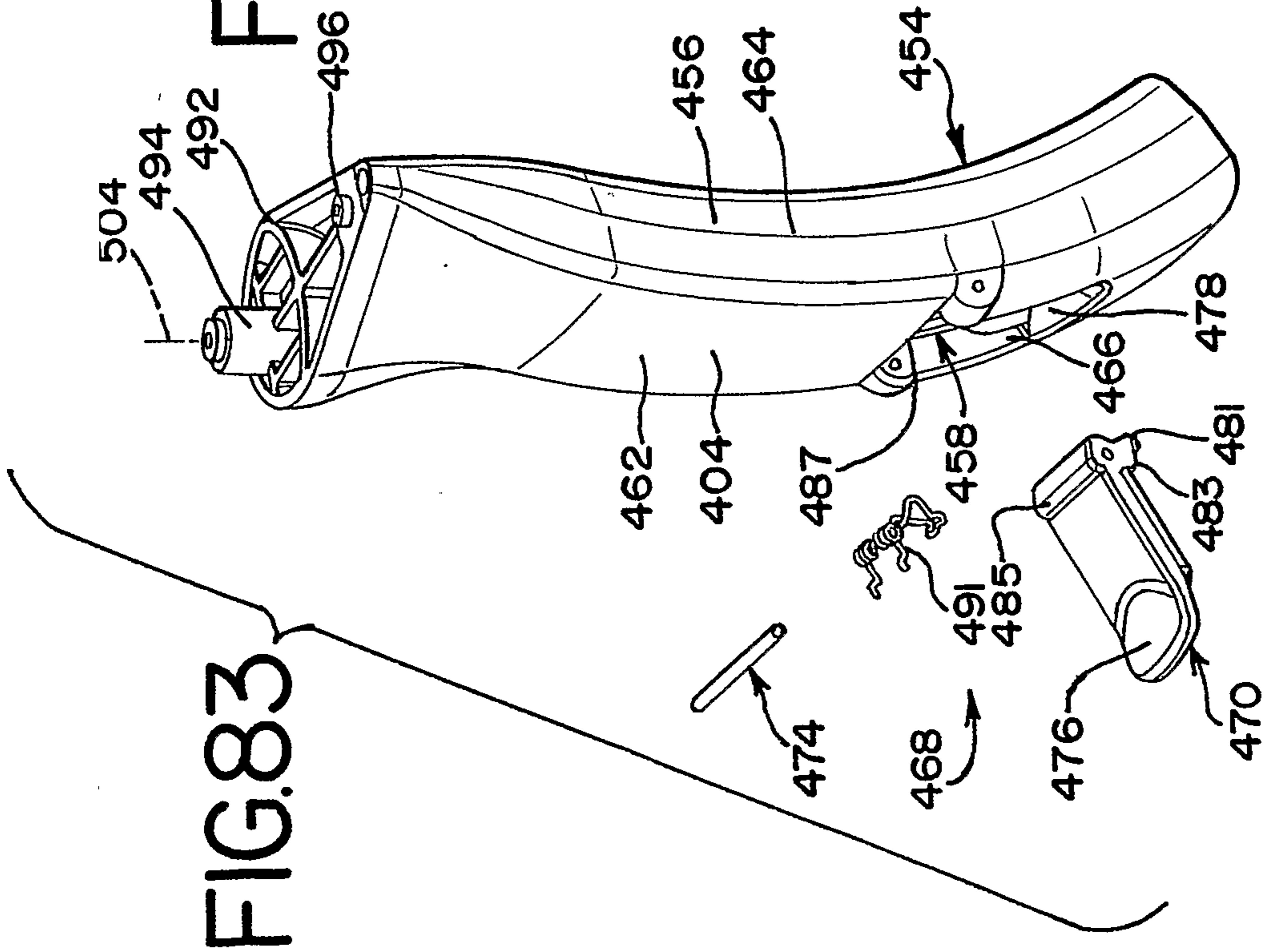


FIG.83

FIG.85

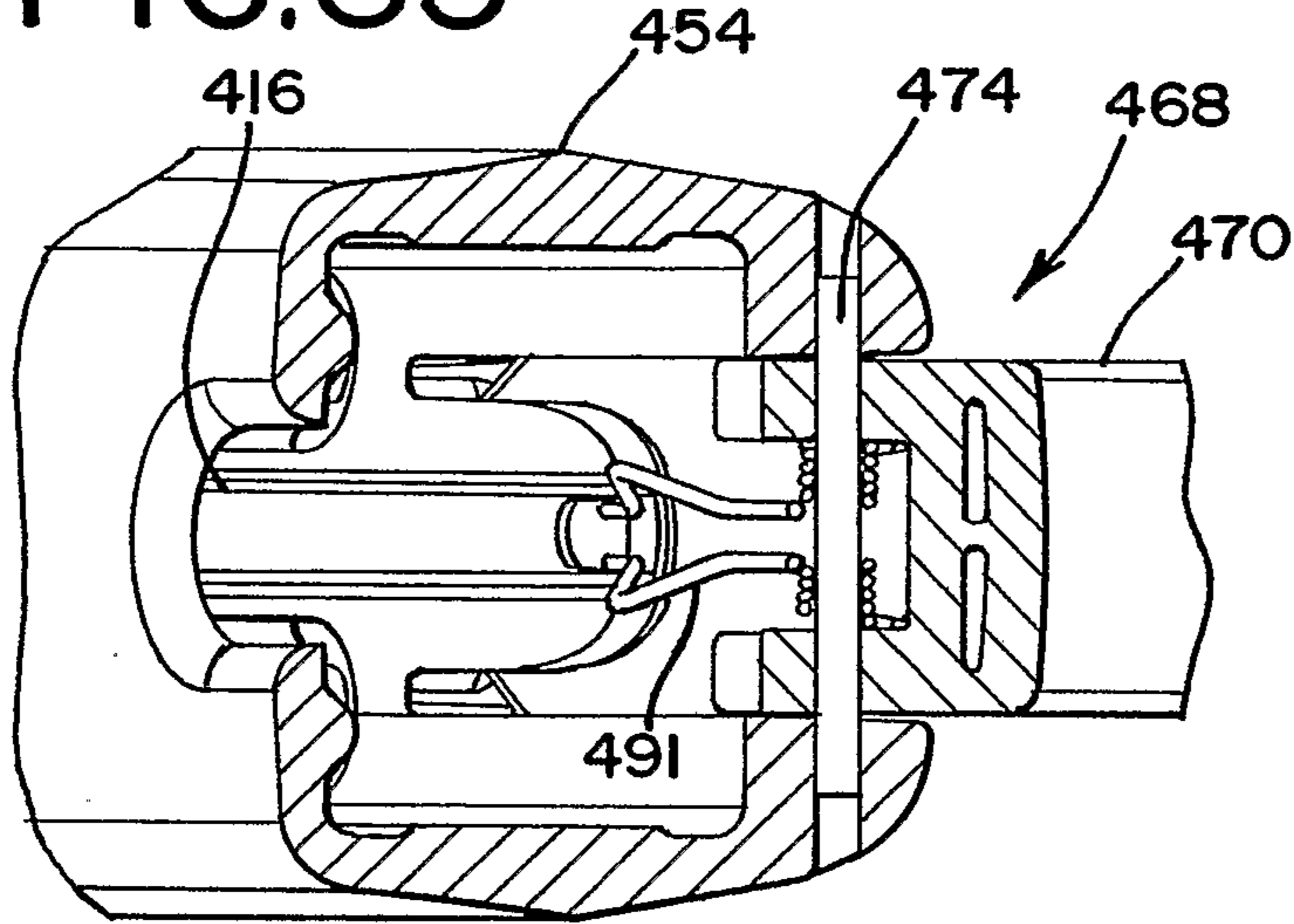


FIG.86

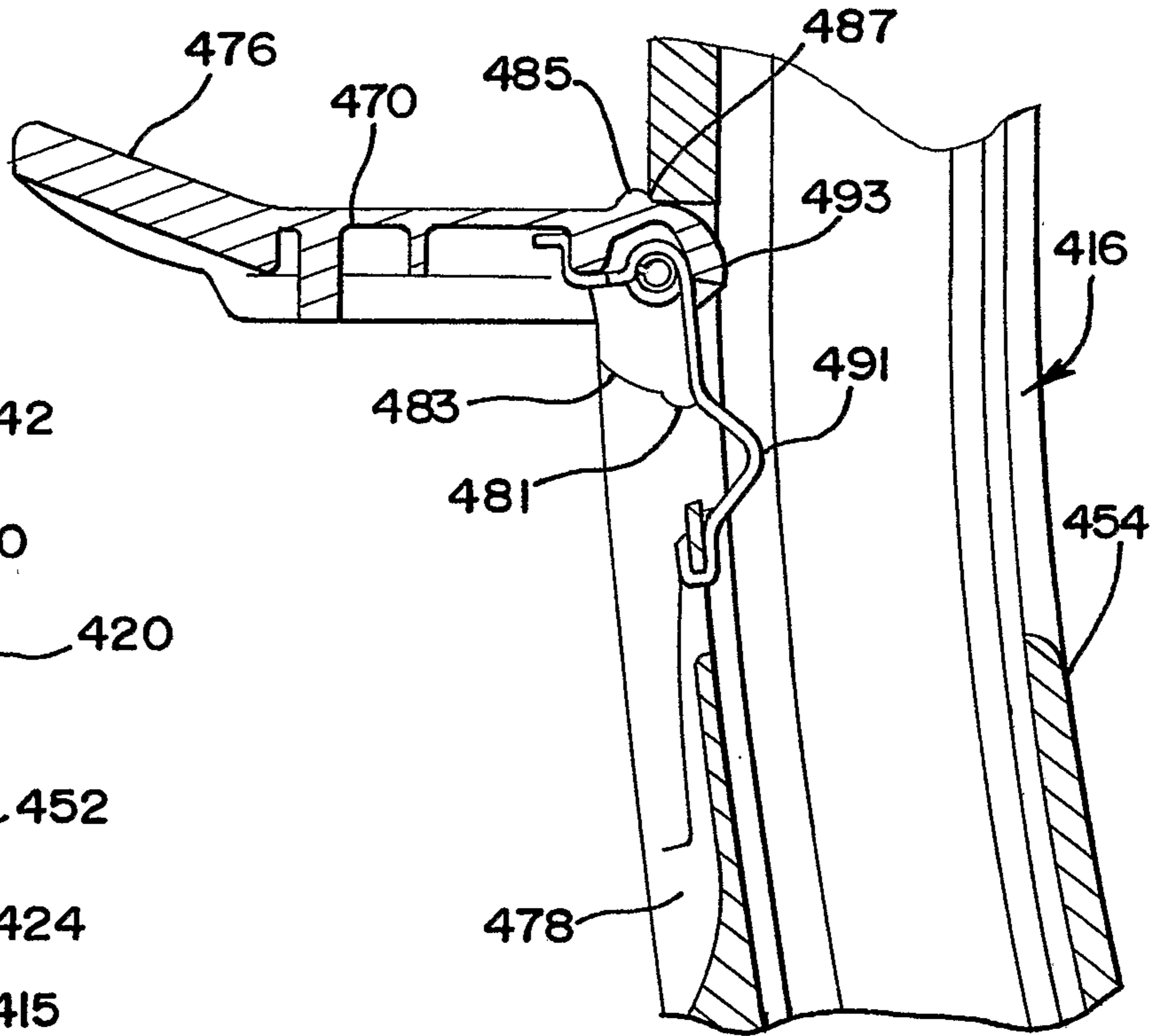


FIG.87

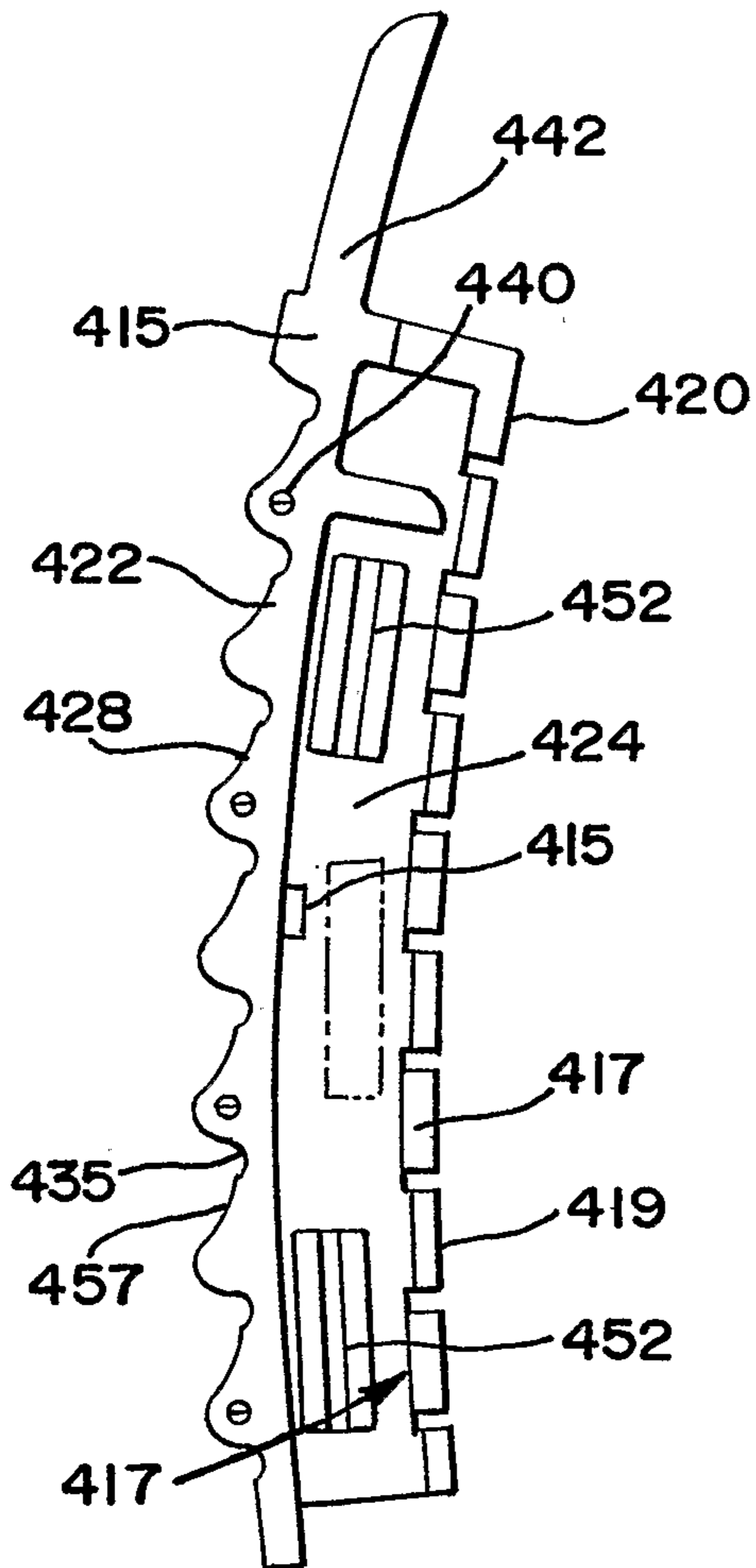


FIG.88

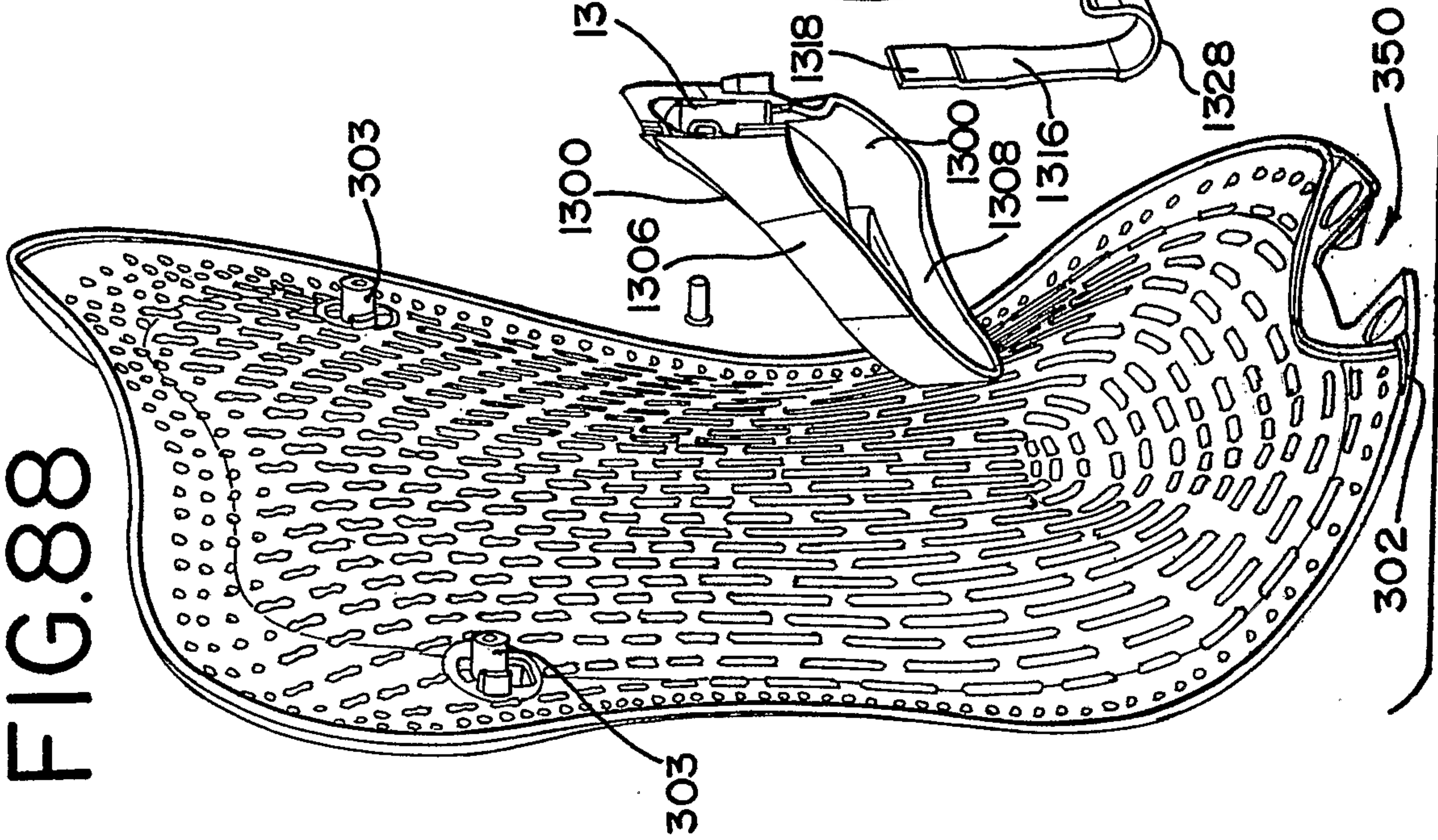


FIG.90

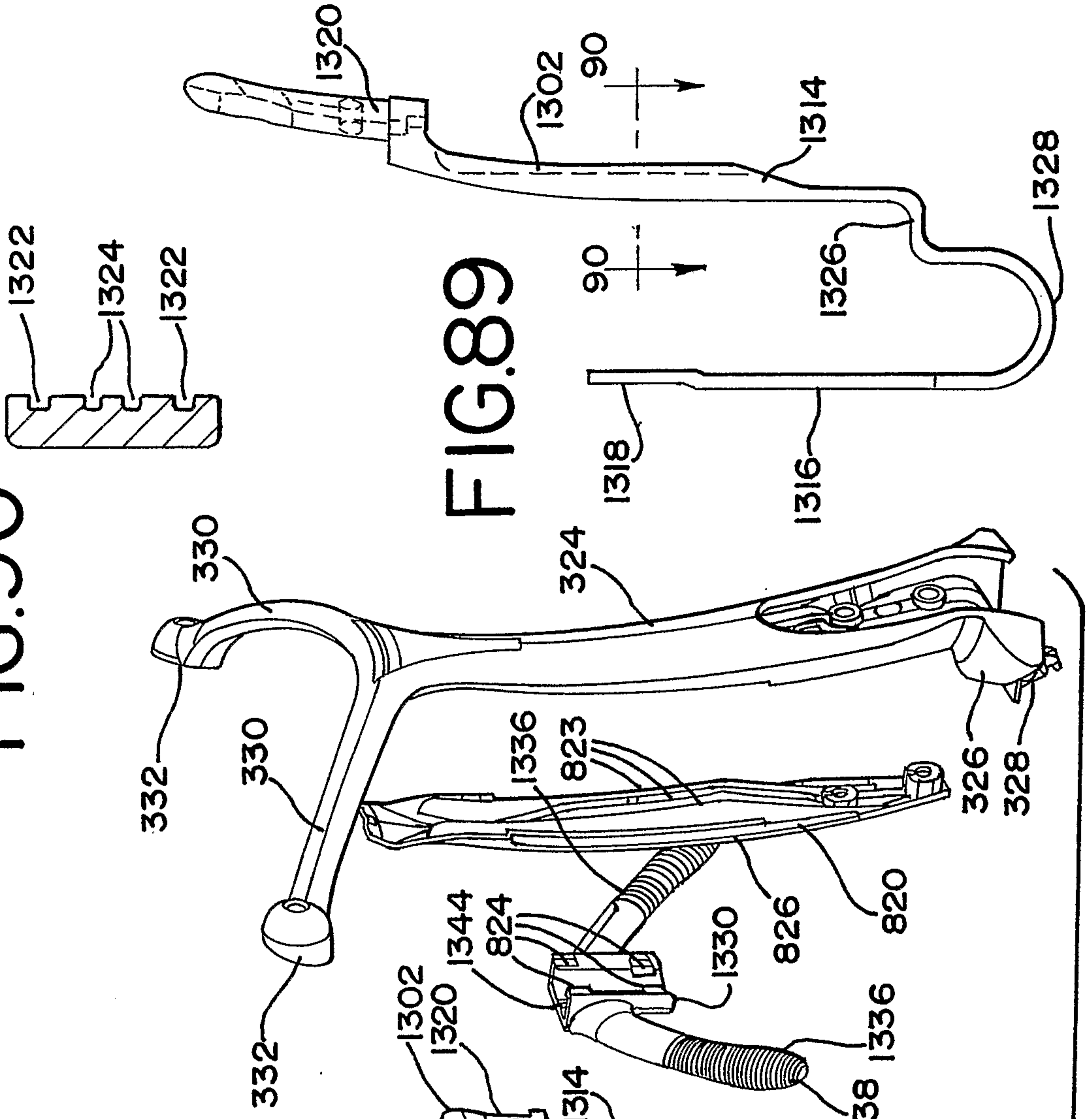
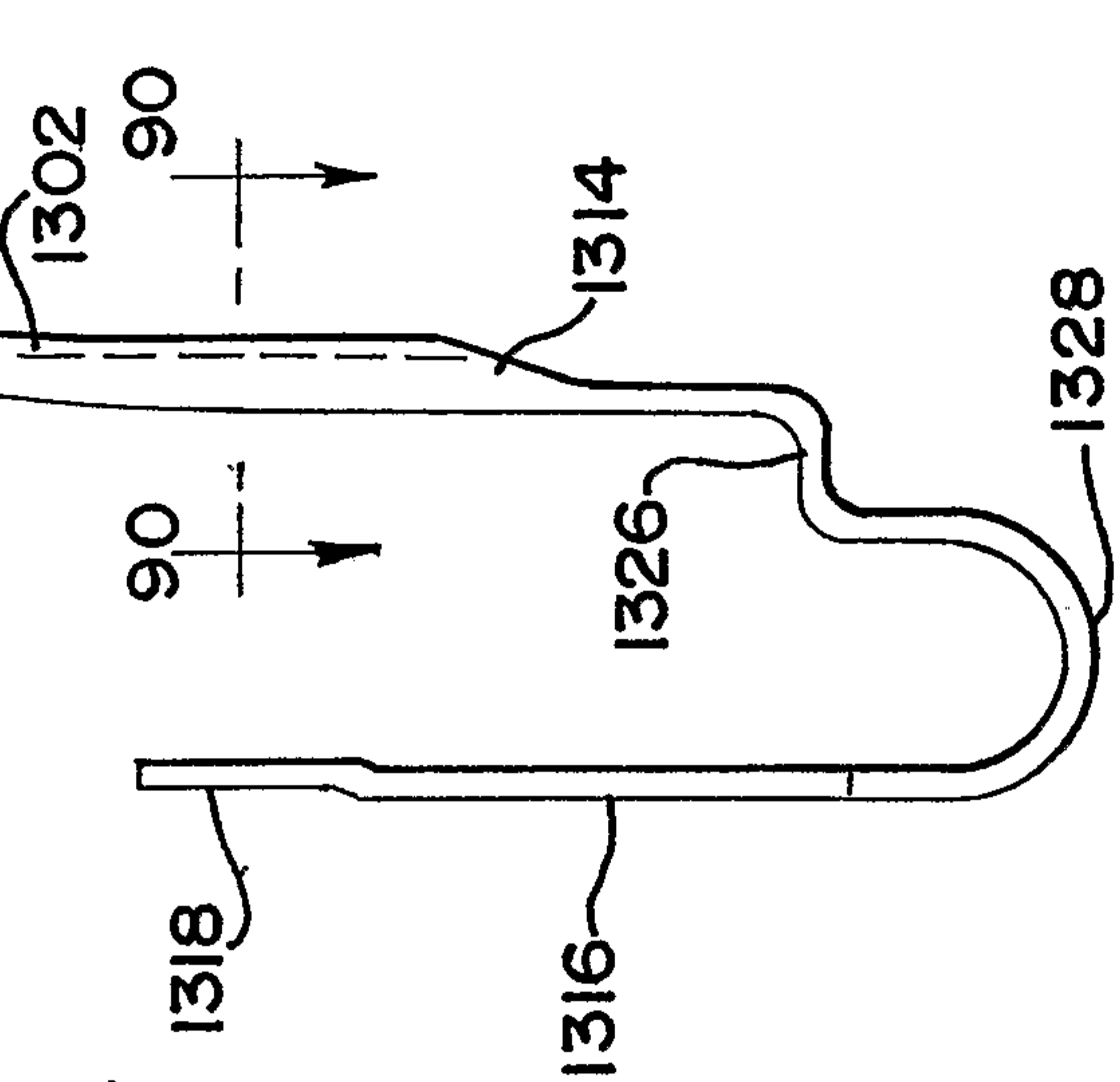


FIG.89



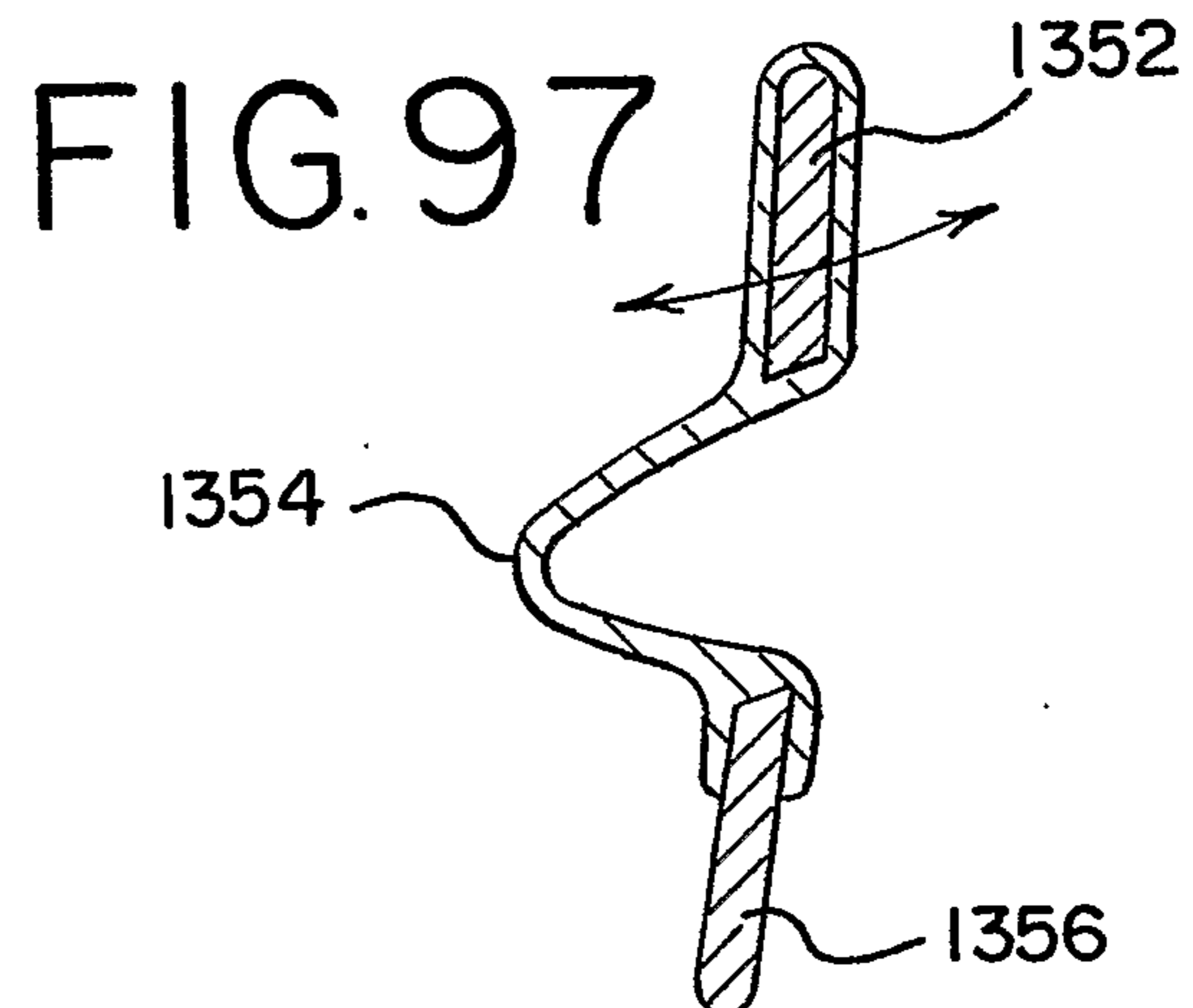
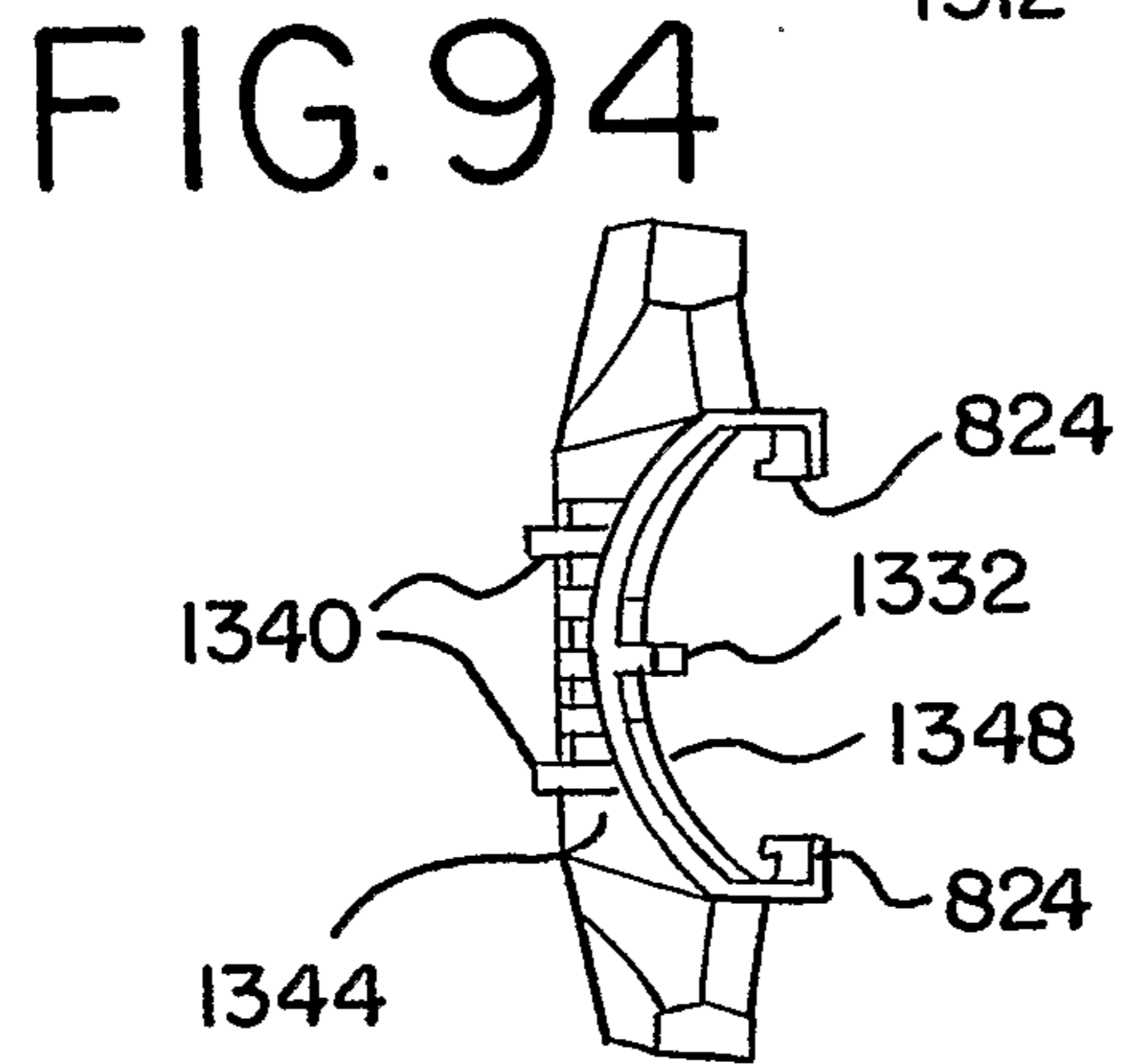
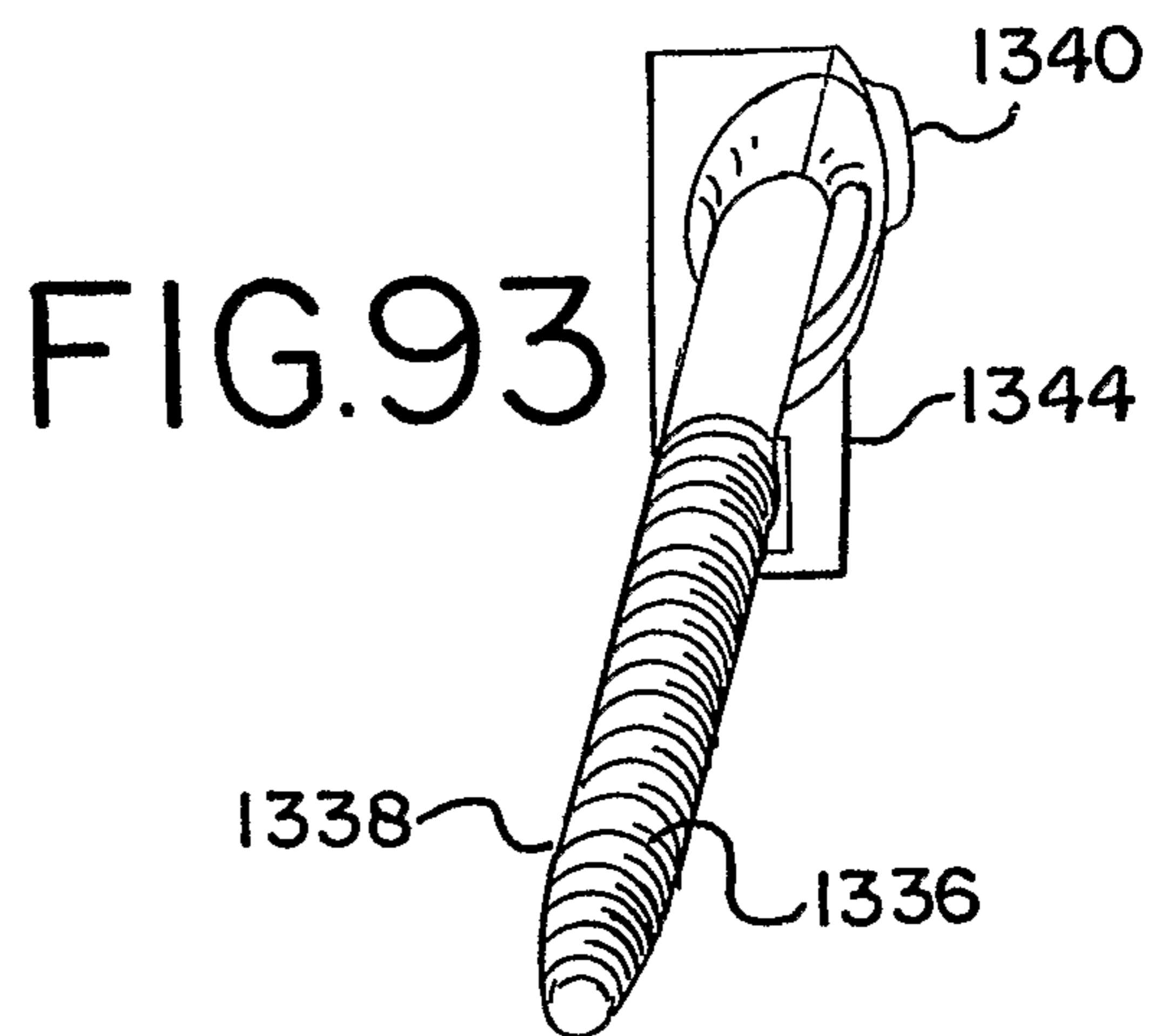
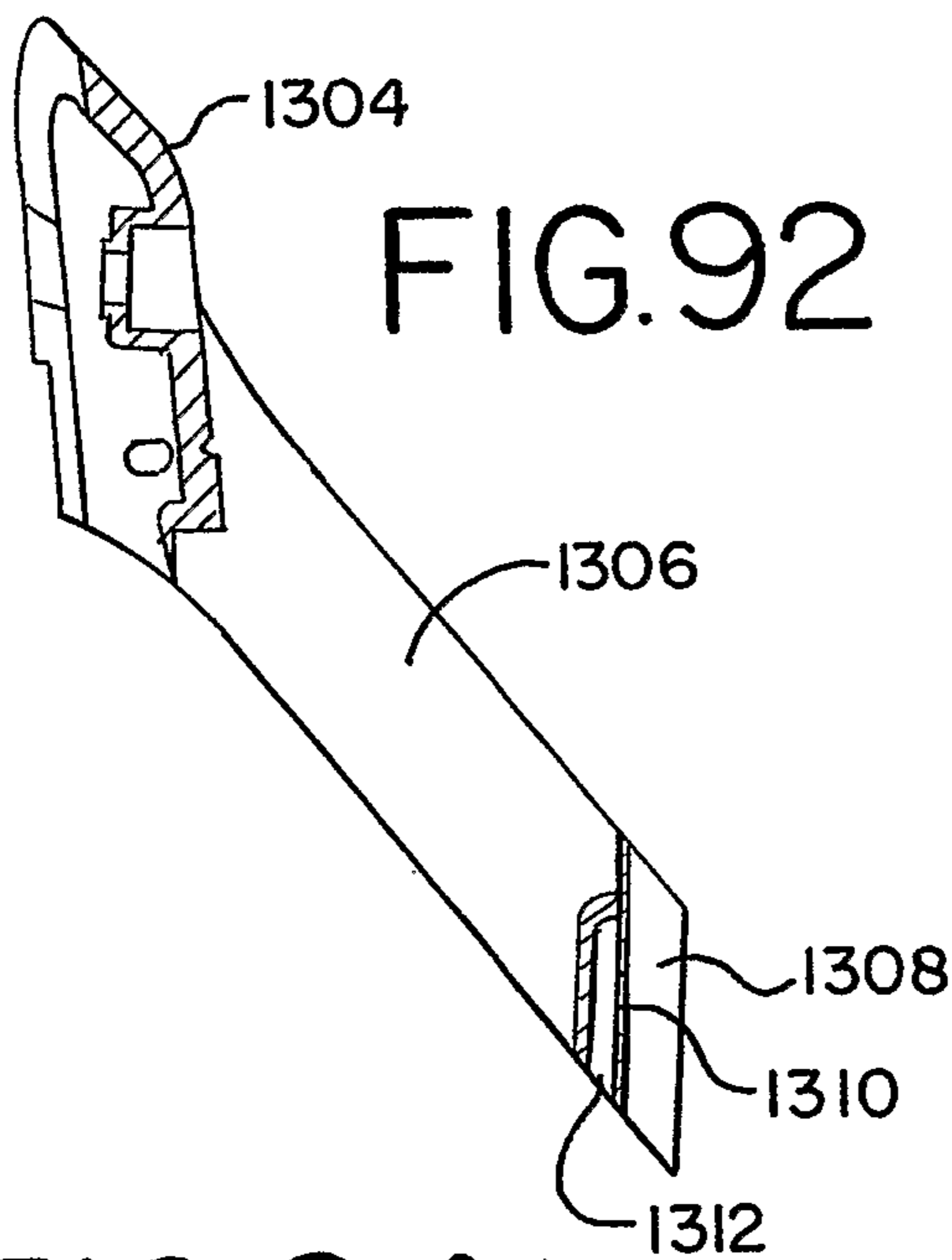
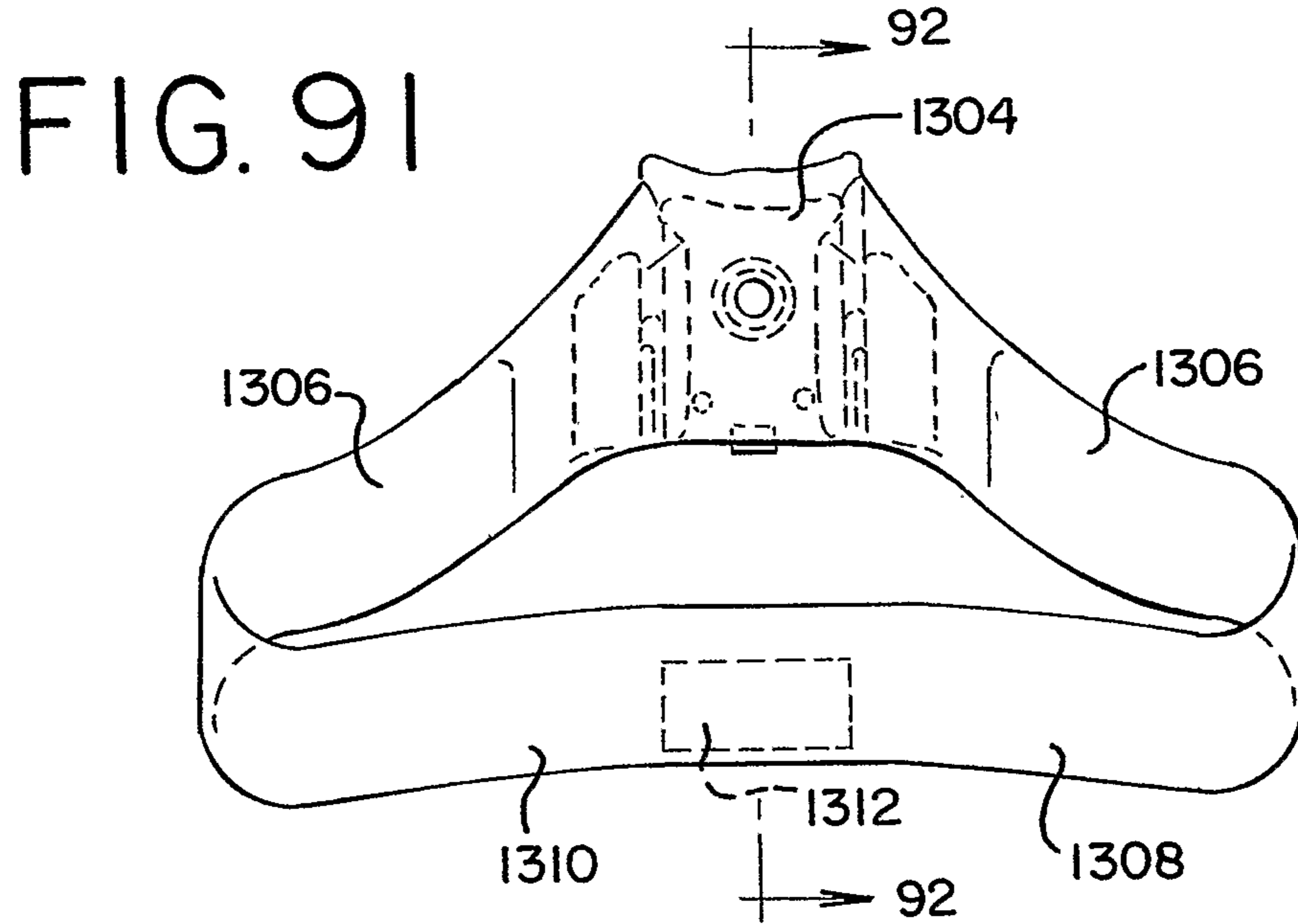


FIG. 96

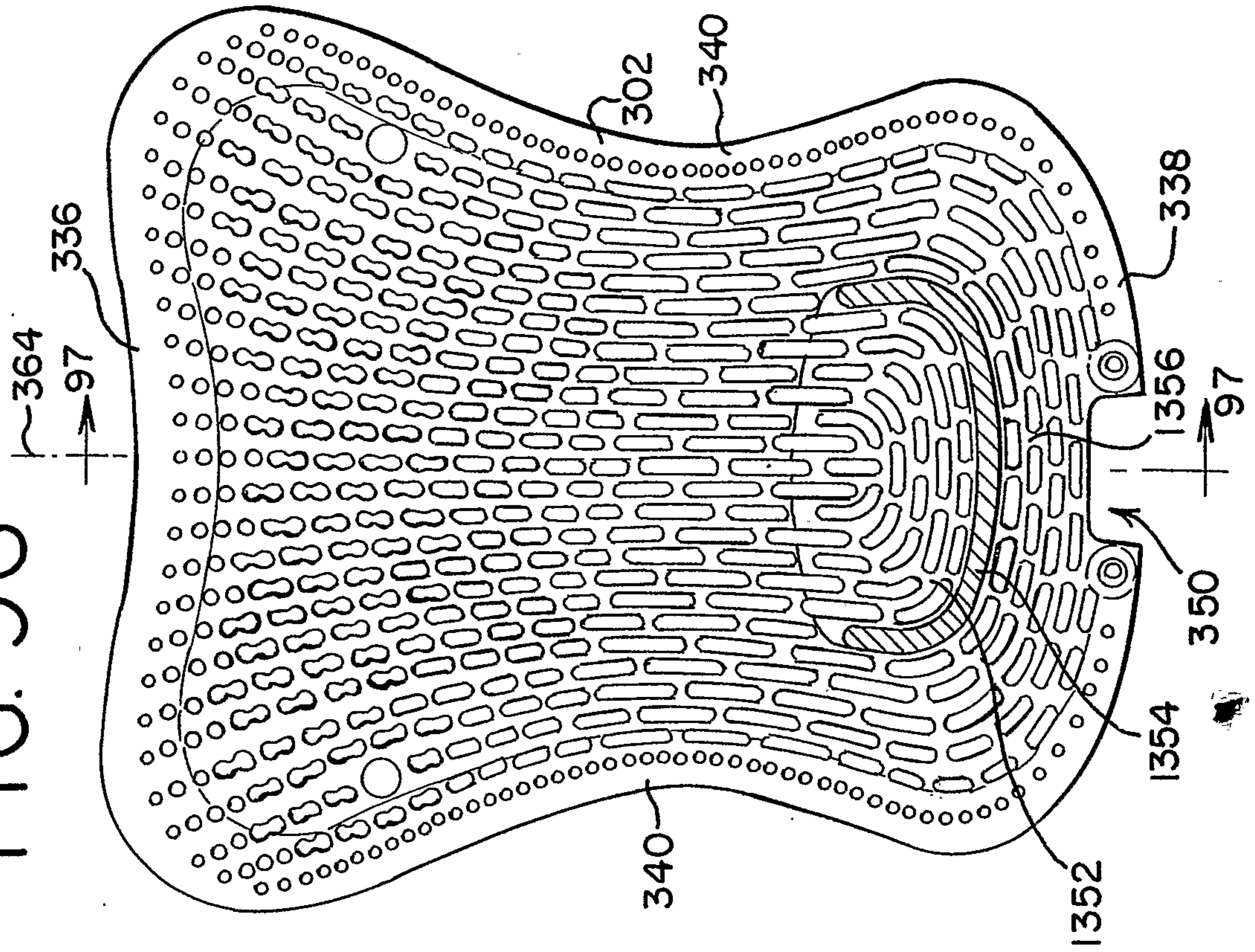


FIG. 95

