



US00D510231S

(12) **United States Design Patent**  
**Coudurier**

(10) **Patent No.:** **US D510,231 S**

(45) **Date of Patent:** **\*\* Oct. 4, 2005**

(54) **HANDLE**

(75) **Inventor:** **Olivier Coudurier**, Marigny Saint Marcel (FR)

(73) **Assignee:** **Tefal S.A.**, Rumilly (FR)

(\*\*) **Term:** **14 Years**

(21) **Appl. No.:** **29/202,054**

(22) **Filed:** **Mar. 25, 2004**

(30) **Foreign Application Priority Data**

Sep. 25, 2003 (FR) ..... 03 4650

(51) **LOC (8) Cl.** ..... **07-02**

(52) **U.S. Cl.** ..... **D7/393**

(58) **Field of Search** ..... D7/393, 394-395,  
D7/354-361; 16/110.1, 430, 431, 436, 441,  
444; 220/573.1, 752, 753, 755

(56) **References Cited**

**U.S. PATENT DOCUMENTS**

D391,444 S \* 3/1998 Munari ..... D7/394  
D410,817 S \* 6/1999 Brunianyn ..... D7/393  
D461,092 S \* 8/2002 Coudurier ..... D7/393  
D461,094 S \* 8/2002 Coudurier ..... D7/394

D462,570 S \* 9/2002 Munari ..... D7/394  
D470,011 S \* 2/2003 Munari ..... D7/394  
D496,557 S \* 9/2004 Munari ..... D7/394

**OTHER PUBLICATIONS**

U.S. Appl. No. 29/203,173; filed Apr. 9, 2004.

\* cited by examiner

*Primary Examiner*—Ruth McInroy

*Assistant Examiner*—Terrence Huang

(74) *Attorney, Agent, or Firm*—Fross Zelnick Lehrman & Zissu, P.C.; David I. Greenbaum, Esq.

(57) **CLAIM**

The ornamental design for a handle, as shown and described.

**DESCRIPTION**

FIG. 1 is a perspective view of a handle showing the new design;

FIG. 2 is a front view of the handle shown in FIG. 1;

FIG. 3 is a rear view of the handle shown in FIG. 1;

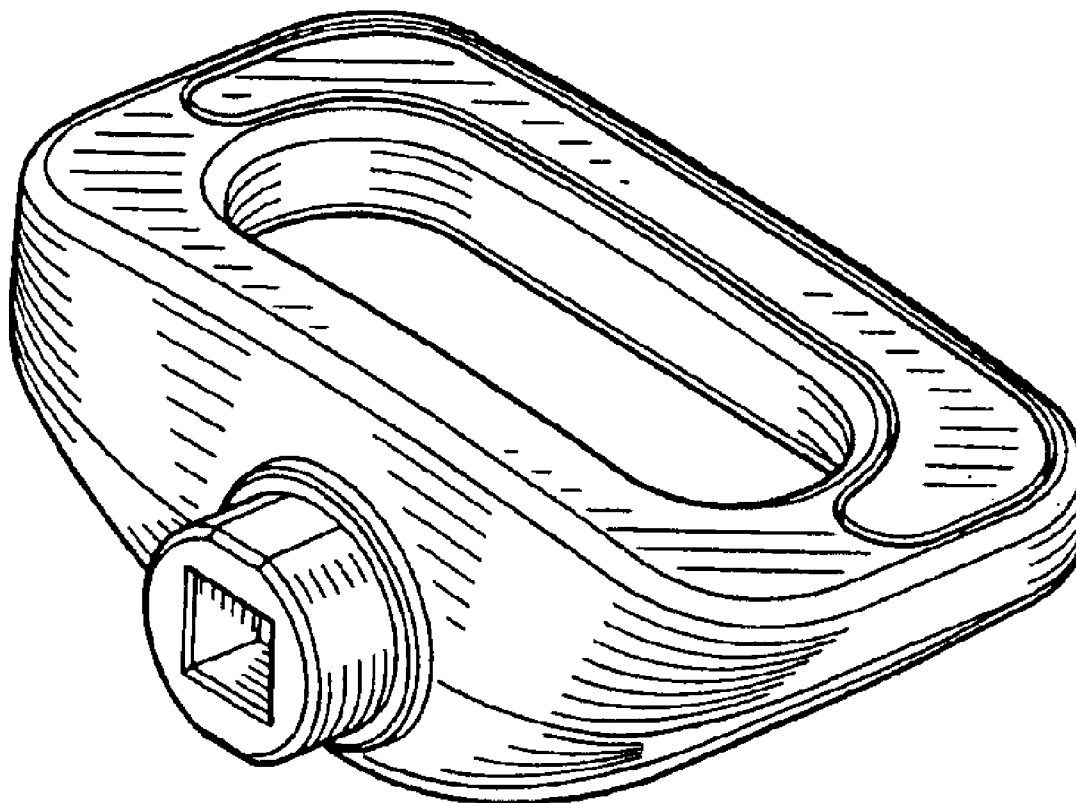
FIG. 4 is a right side view of the handle shown in FIG. 1;

FIG. 5 is a left side view of the handle shown in FIG. 1;

FIG. 6 is a top view of the handle shown in FIG. 1; and,

FIG. 7 is a bottom view of the handle shown in FIG. 1.

**1 Claim, 7 Drawing Sheets**



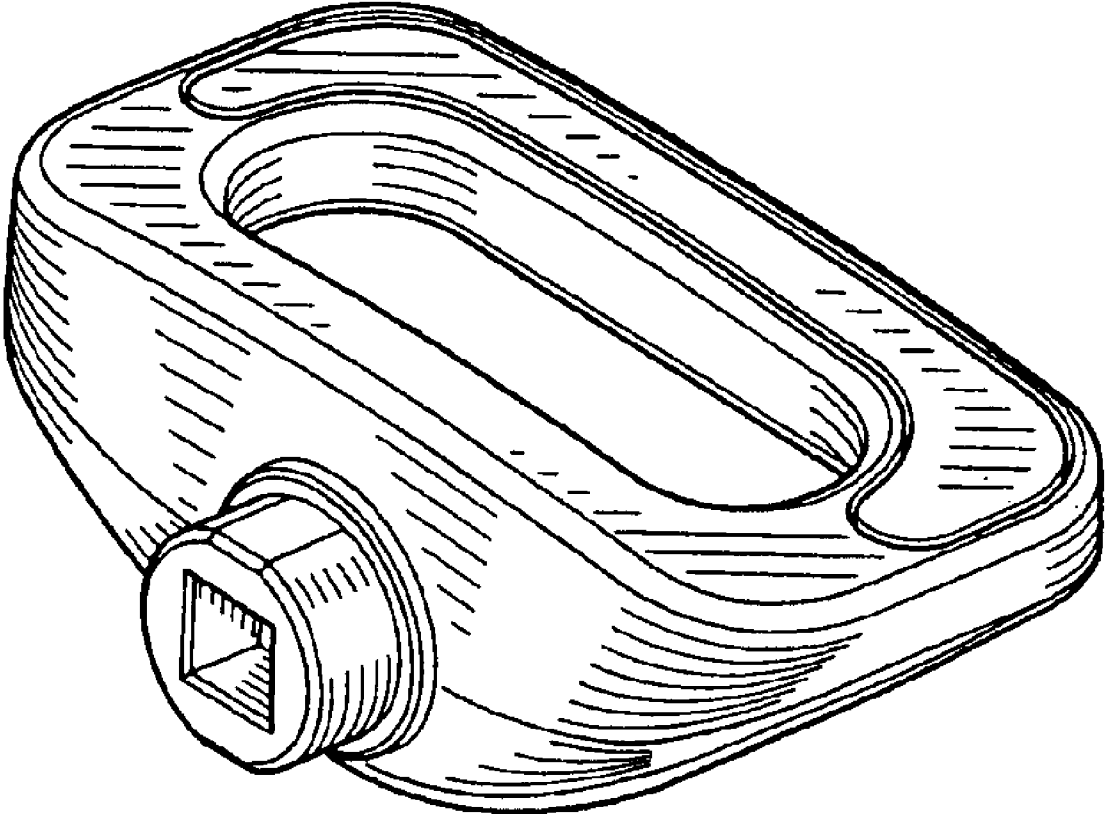


FIGURE 1

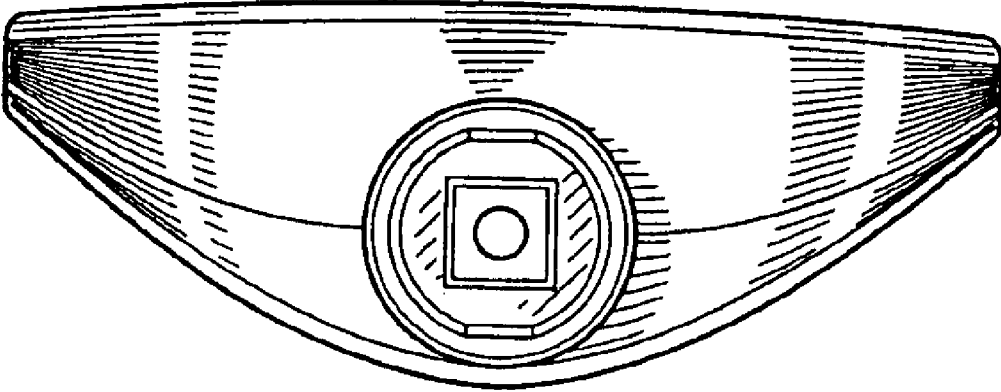


FIGURE 2

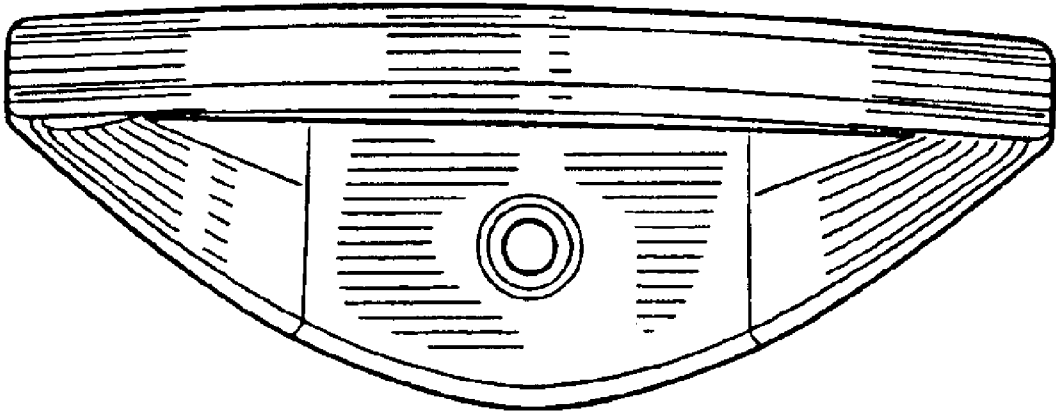


FIGURE 3

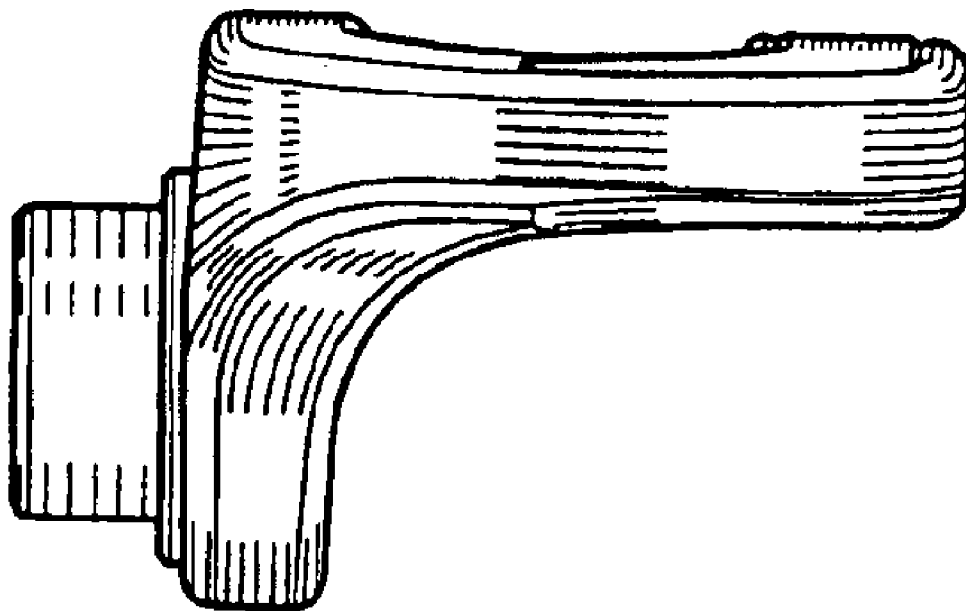


FIGURE 4

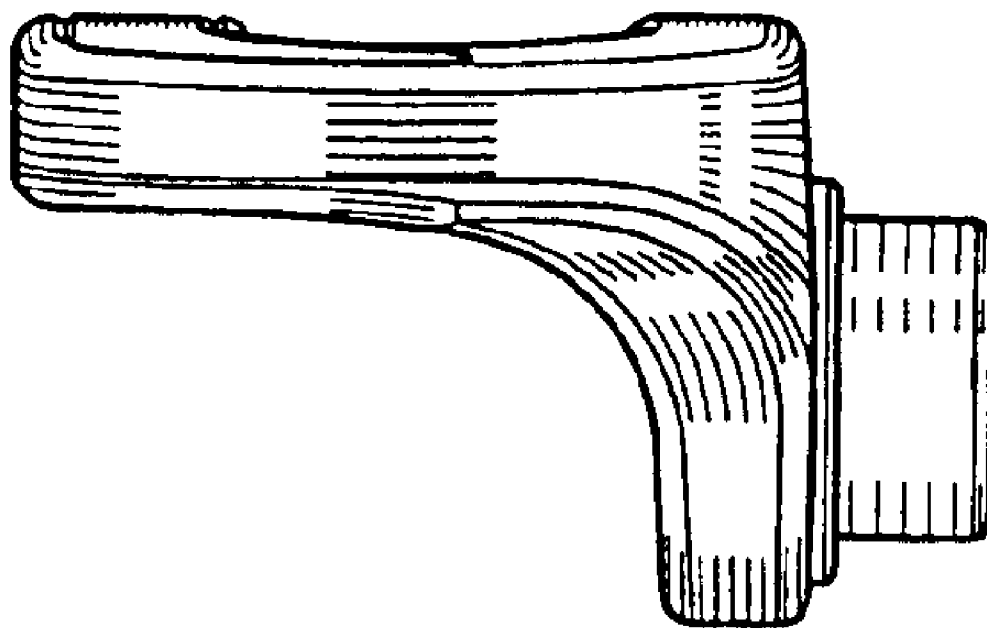


FIGURE 5

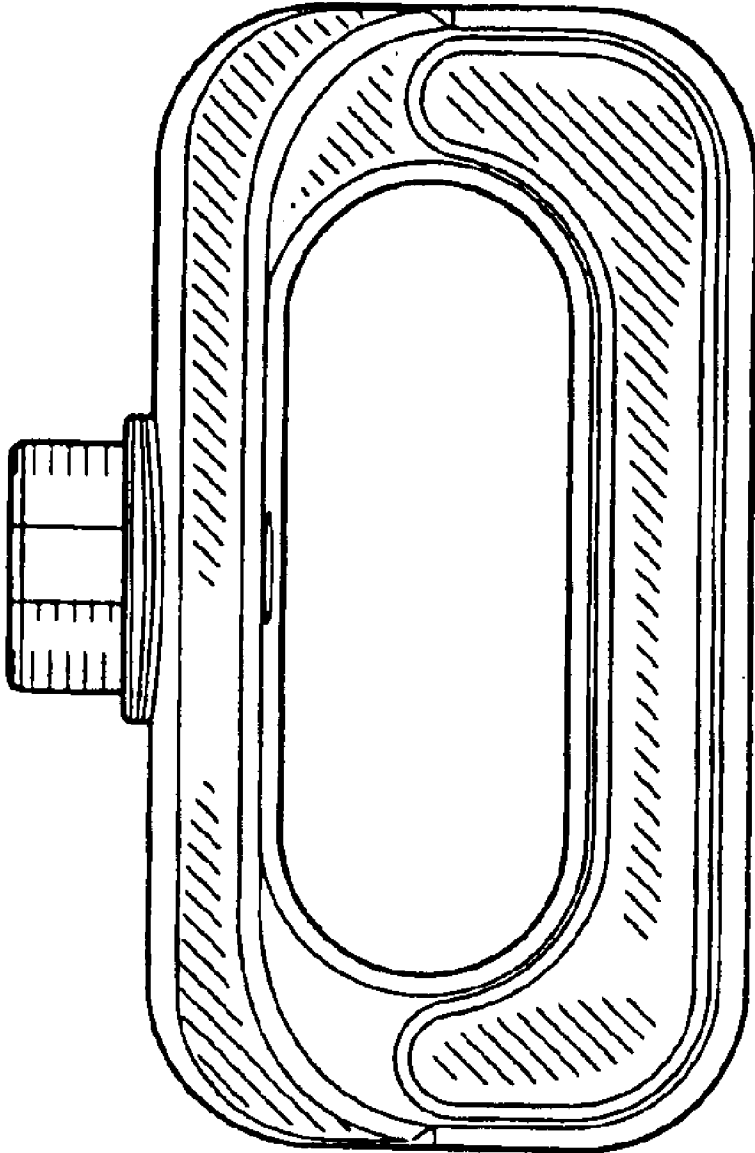


FIGURE 6

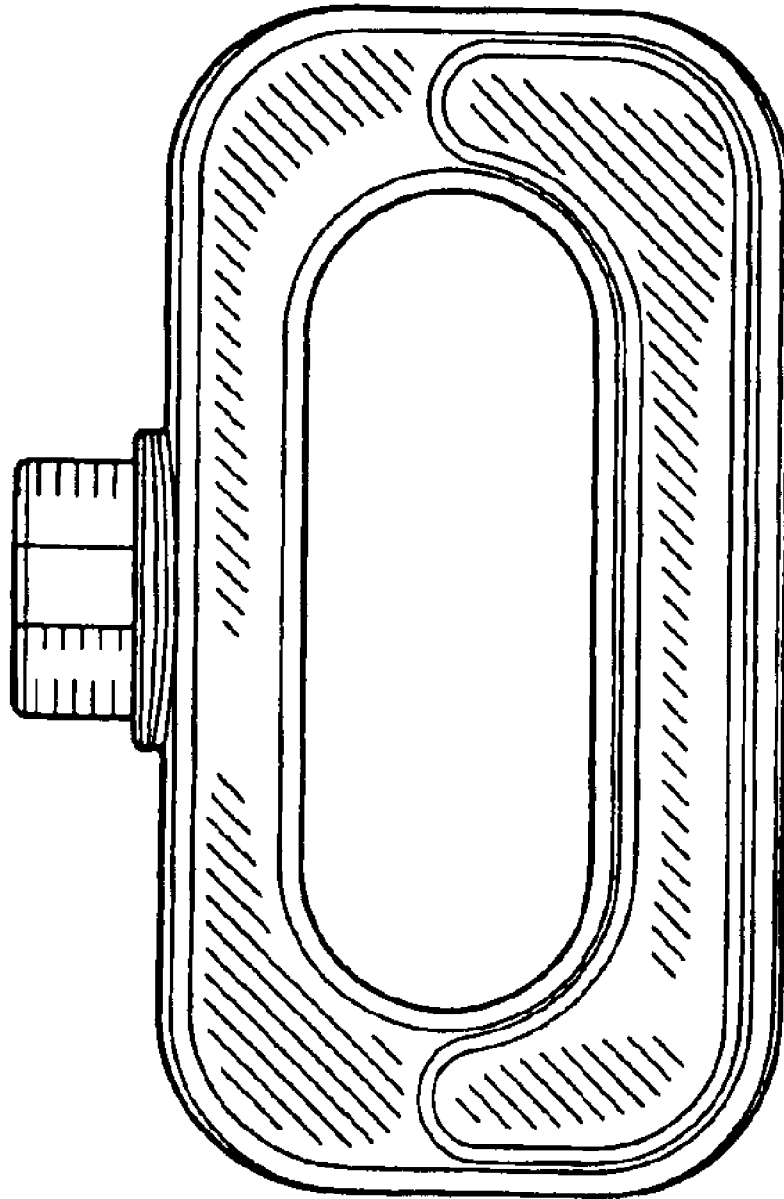


FIGURE 7