



US00D935258S

(12) **United States Design Patent**
Zhao

(10) **Patent No.:** **US D935,258 S**

(45) **Date of Patent:** **** Nov. 9, 2021**

(54) **BEVERAGE MAKER**

(71) Applicant: **Shenzhen Xingnuo Technology Development Co., Ltd.**, Shenzhen (CN)

(72) Inventor: **Peng Zhao**, Shenzhen (CN)

(**) Term: **15 Years**

(21) Appl. No.: **29/721,279**

(22) Filed: **Jan. 20, 2020**

(51) **LOC (13) Cl.** **07-01**

(52) **U.S. Cl.**
USPC **D7/319; D7/318**

(58) **Field of Classification Search**
USPC D7/300, 300.1, 301–303, 309–322, 326,
D7/373, 376, 378, 386, 396, 396.2,
D7/397–401, 403, 413, 415; D14/242
CPC A47J 31/00; A47J 31/002; A47J 31/005;
A47J 31/02; A47J 31/053; A47J 31/06;
A47J 31/061; A47J 31/0615; A47J
31/0636; A47J 31/0647; A47J 31/0663;
A47J 31/10; A47J 31/14; A47J 31/18;
A47J 31/20; A47J 36/2411; A47J 36/2433
See application file for complete search history.

(56) **References Cited**

U.S. PATENT DOCUMENTS

D377,132 S *	1/1997	Jørgensen	D7/318
D386,040 S *	11/1997	Joergensen	D7/317
D388,275 S *	12/1997	Joergensen	D7/317
6,079,316 A *	6/2000	Barden	A47J 31/20 150/901
D565,887 S *	4/2008	Bodum	D7/317
D566,454 S *	4/2008	Bodum	D7/317
D567,007 S *	4/2008	Bodum	A47J 31/20 D7/317
D594,267 S *	6/2009	Bodum	D7/317
D610,860 S *	3/2010	Bodum	D7/319
D612,660 S *	3/2010	Bodum	D7/319

D652,246 S *	1/2012	Bodum	D7/319
D663,155 S *	7/2012	Bodum	D7/319
D677,103 S *	3/2013	Melzer	D7/319
D686,034 S *	7/2013	Bodum	D7/318
D718,567 S *	12/2014	Lu	A47J 31/20 D7/319
D796,244 S *	9/2017	McLean	D7/317
D827,354 S *	9/2018	Wong	D7/318
D861,424 S *	10/2019	Philips	A47J 31/20 D7/399

(Continued)

OTHER PUBLICATIONS

Aerolatte 3-Cup French Press Coffee Maker, first available Jun. 10, 2014, Amazon, [online], [site visited May 24, 2021], Available from internet URL: <https://www.amazon.com/aerolatte-3-Cup-French-Coffee-12-Ounce/dp/B00LEEORSM> (Year: 2014).*

(Continued)

Primary Examiner — Mary Ann Calabrese
Assistant Examiner — Natalya M Rapundalo

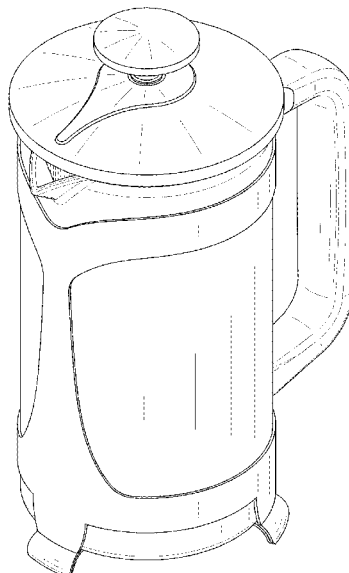
(57) **CLAIM**

The ornamental design for a beverage maker, as shown and described.

DESCRIPTION

FIG. 1 is a top perspective view of a beverage maker showing my new design;
FIG. 2 is a bottom perspective view thereof;
FIG. 3 is a front view thereof;
FIG. 4 is a back view thereof;
FIG. 5 is a left side view thereof;
FIG. 6 is a right side view thereof;
FIG. 7 is a top view thereof; and,
FIG. 8 is a bottom view thereof.
The broken lines shown in the drawings depict portions of the beverage maker that form no part of the claimed design.

1 Claim, 8 Drawing Sheets



(56)

References Cited

U.S. PATENT DOCUMENTS

2011/0088561 A1* 4/2011 Bodum A47J 31/20
99/297
2017/0071399 A1* 3/2017 Constantine A47J 31/20

OTHER PUBLICATIONS

Design No. 304770805, Aug. 14, 2018—China National Intellectual Property Administration (CNIPA) Publication Date—Aug. 14, 2018 Owner—Highwin Enterprise Ltd, Designer—Liang Zhewei WIPO, available at <https://www3.wipo.int/designdb/en/index.jsp> (Year: 2018).*
BAYKA French Press Coffee Tea Maker, first available Apr. 27, 2020, Amazon, [online], [site visited May 24, 2021], Available from internet URL: <https://www.amazon.com/BAYKA-Stainless-Filtration-Resistant-Borosilicate/dp/B087PTW7F5> (Year: 2020).*
Espro Press P3, Espro, [online], [site visited May 18, 2021], Available from internet URL: <https://www.espro.com/catalog/french-press> (Year: 2021).*
Kitchen & Table Gunmetal French Press, H-E-B, [online], [site visited May 14, 2021], Available from internet URL: <https://www.heb.com/product-detail/kitchen-amp-table-gunmetal-french-press/4003585> (Year: 2021).*

* cited by examiner

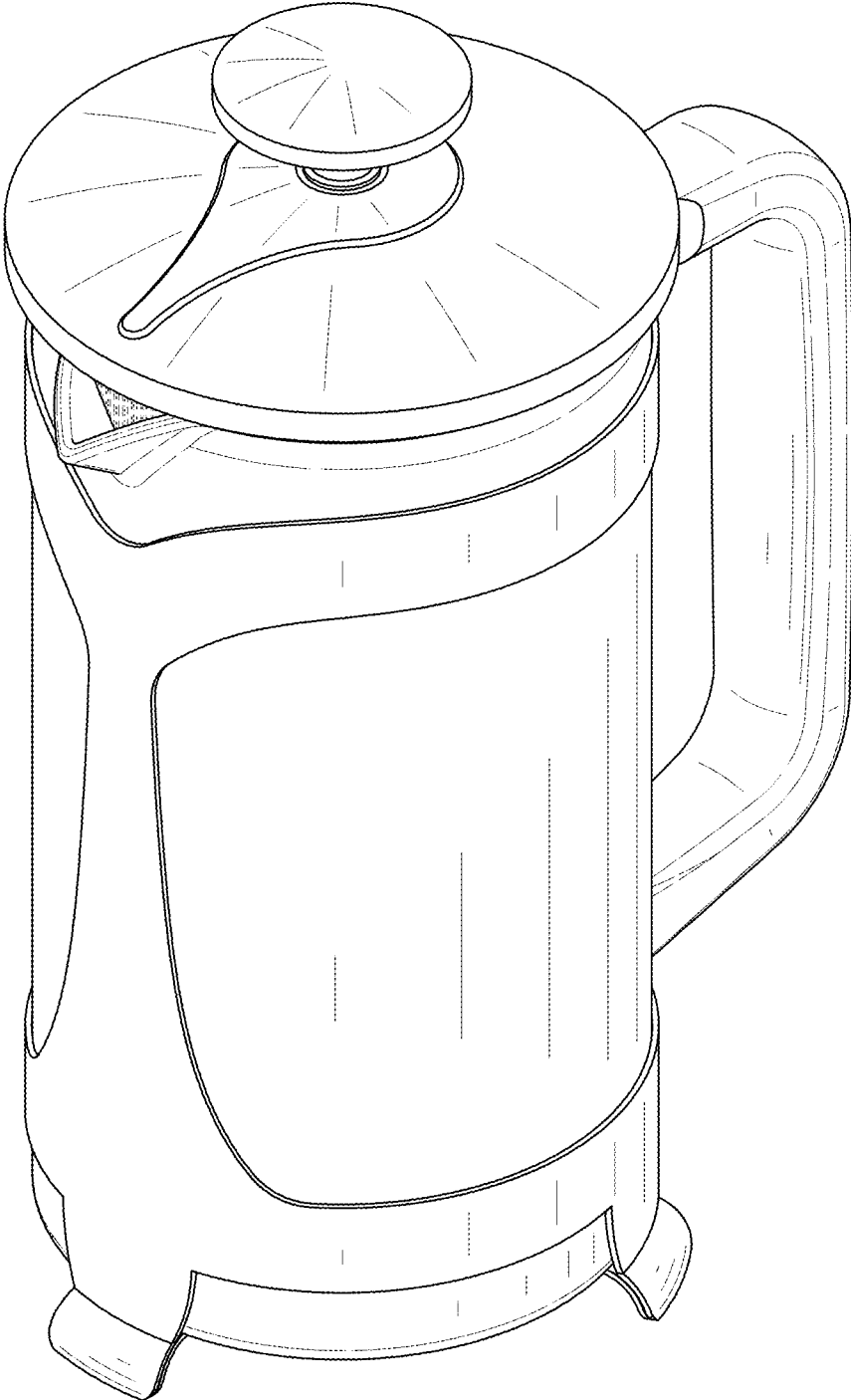


FIG. 1

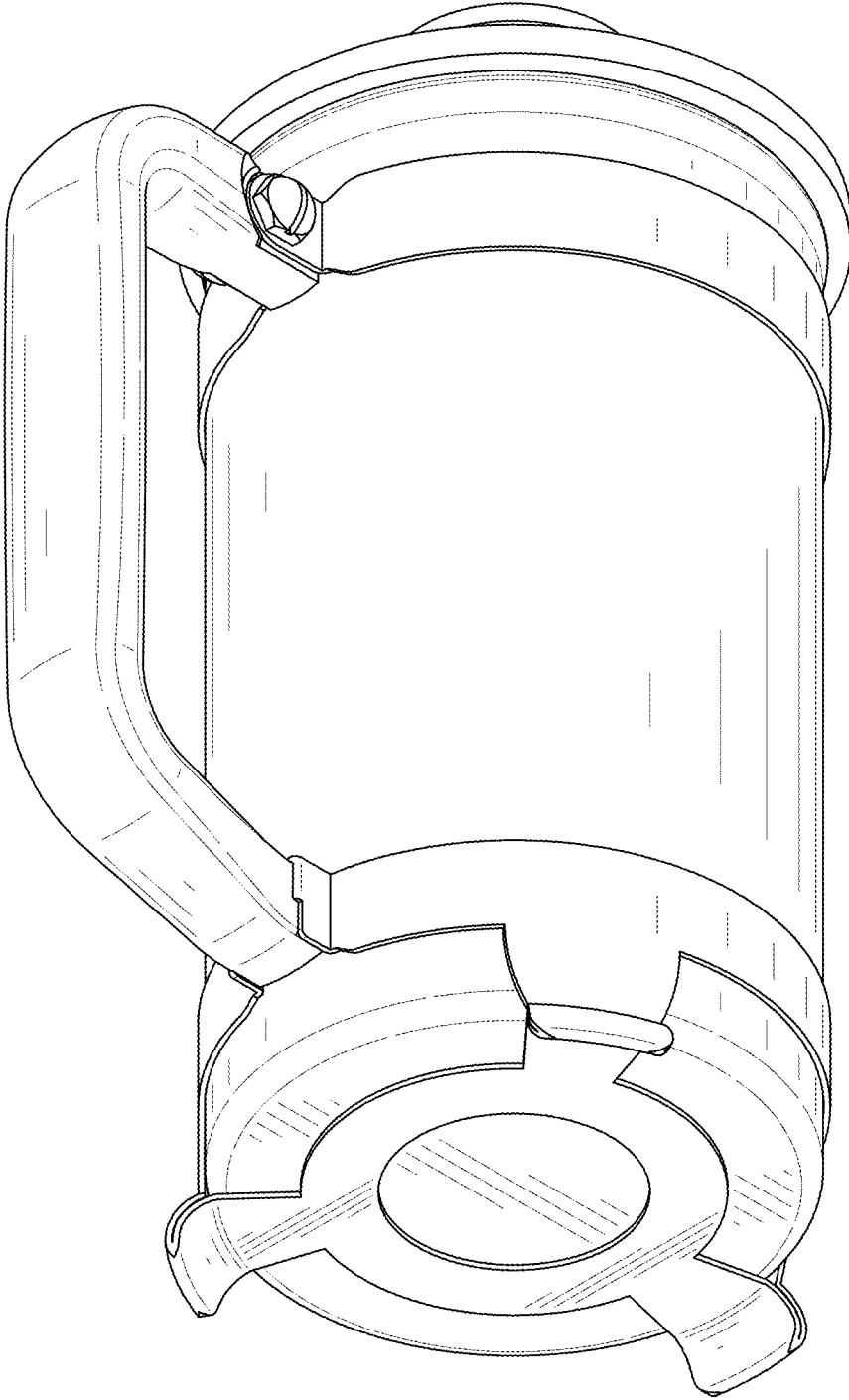


FIG. 2

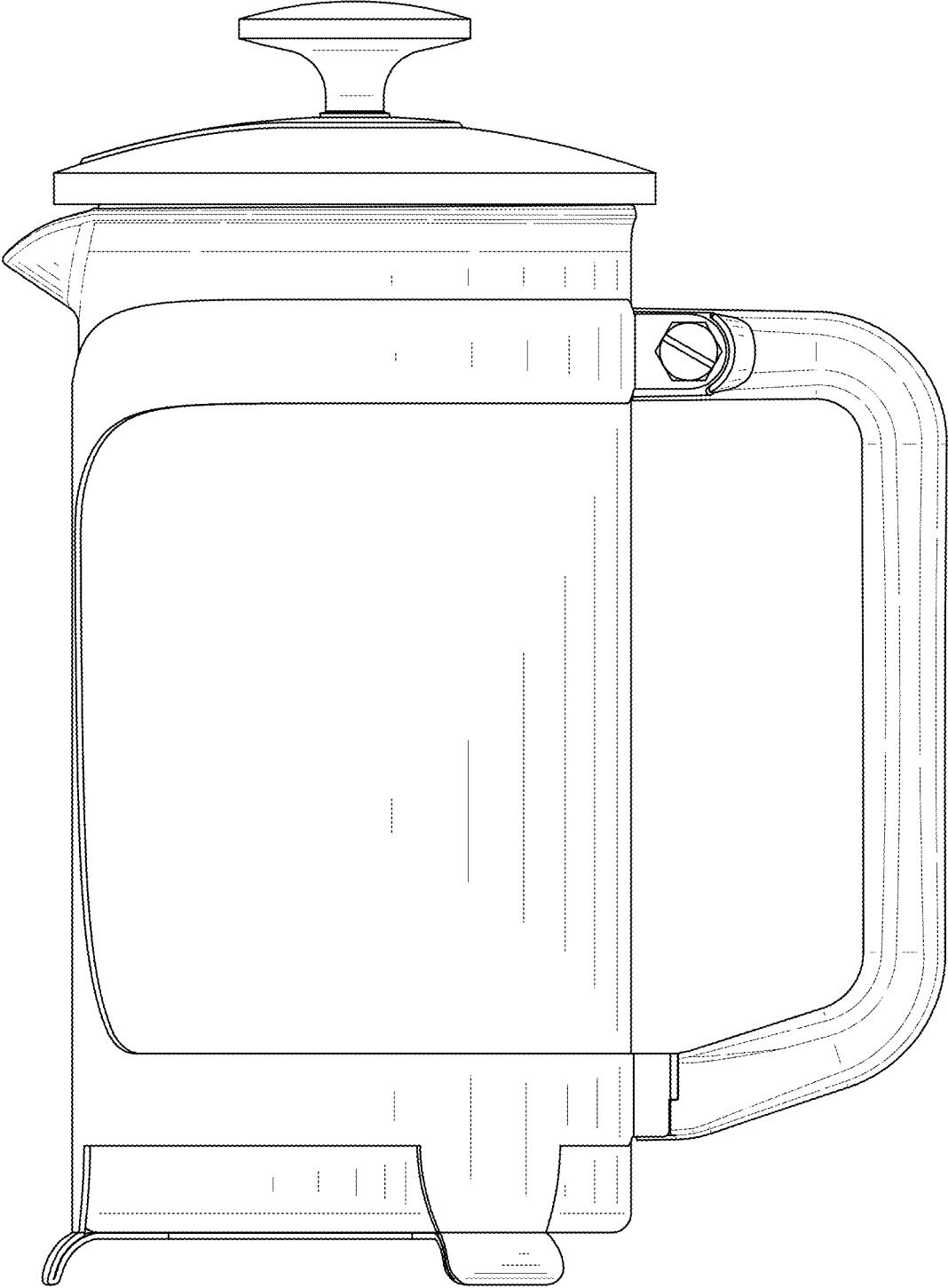


FIG. 3

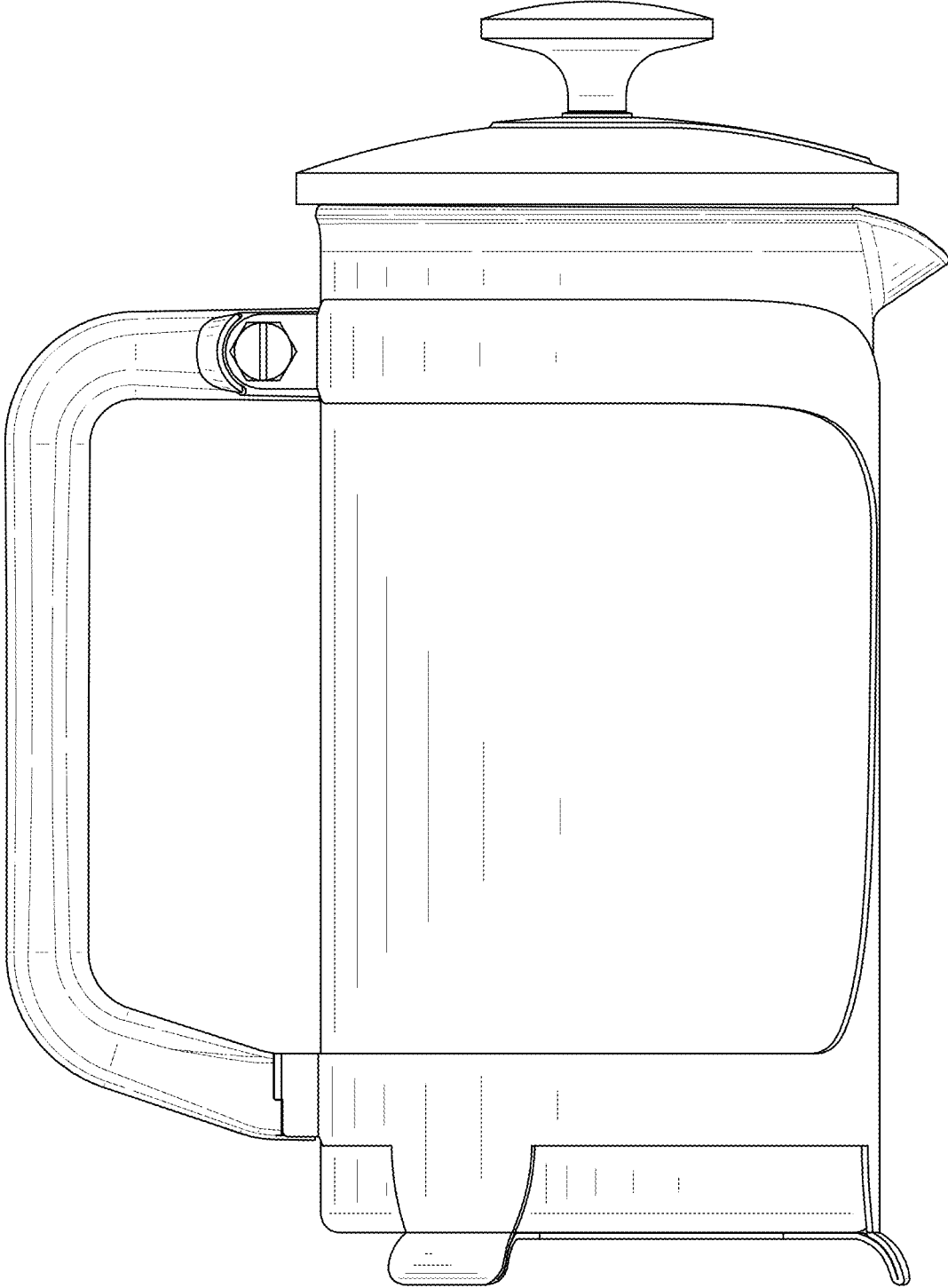


FIG. 4

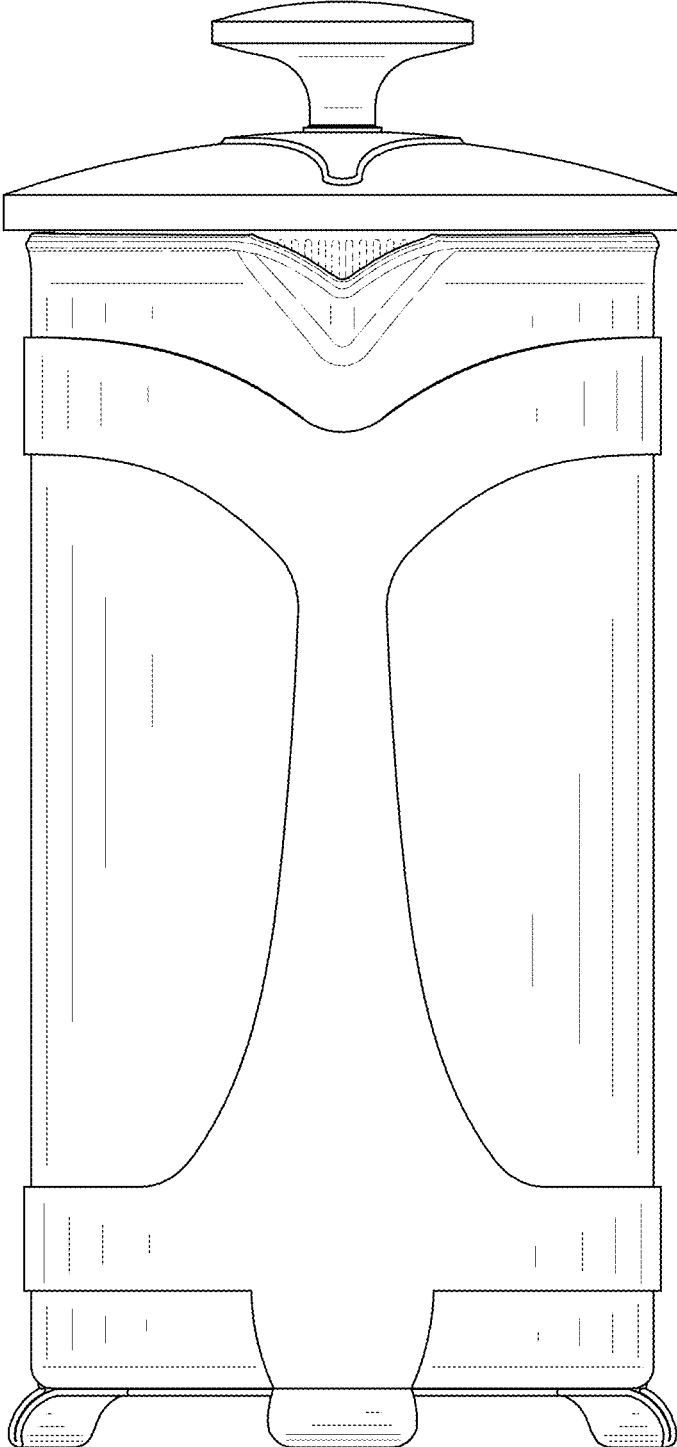


FIG. 5

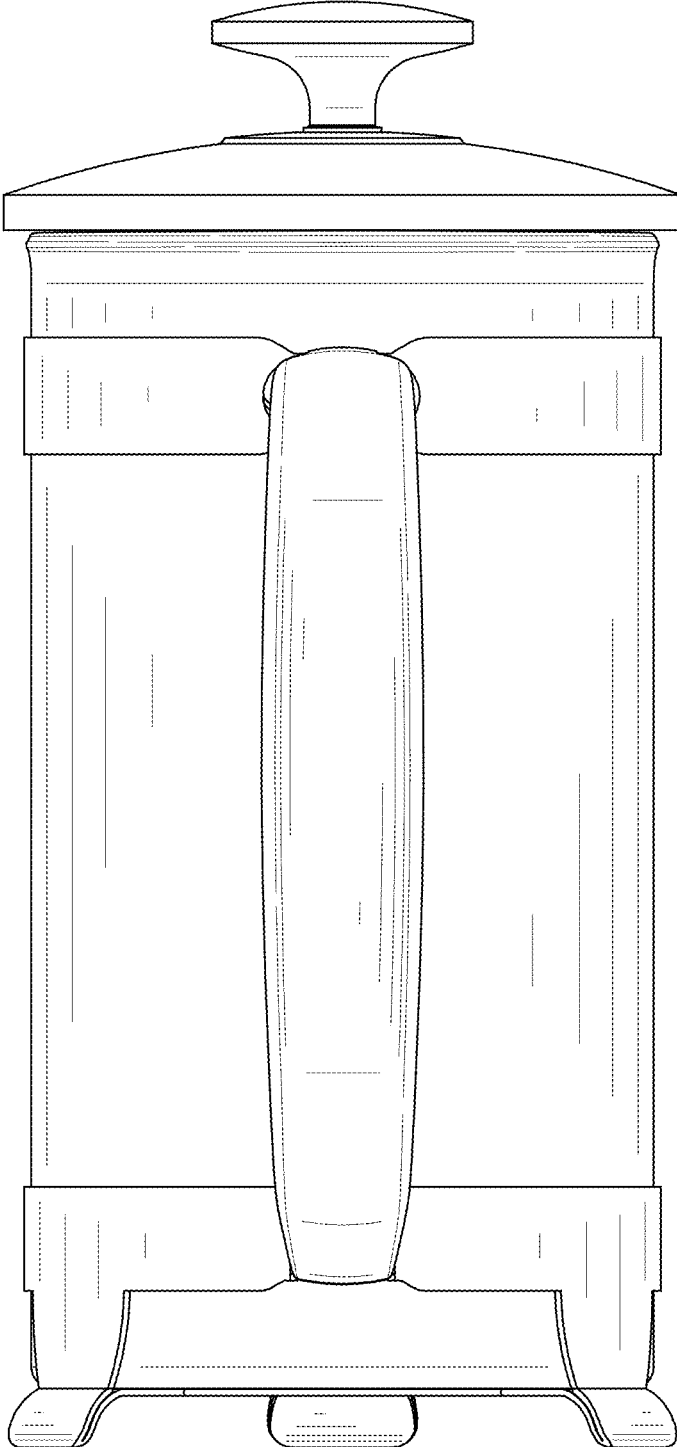


FIG. 6

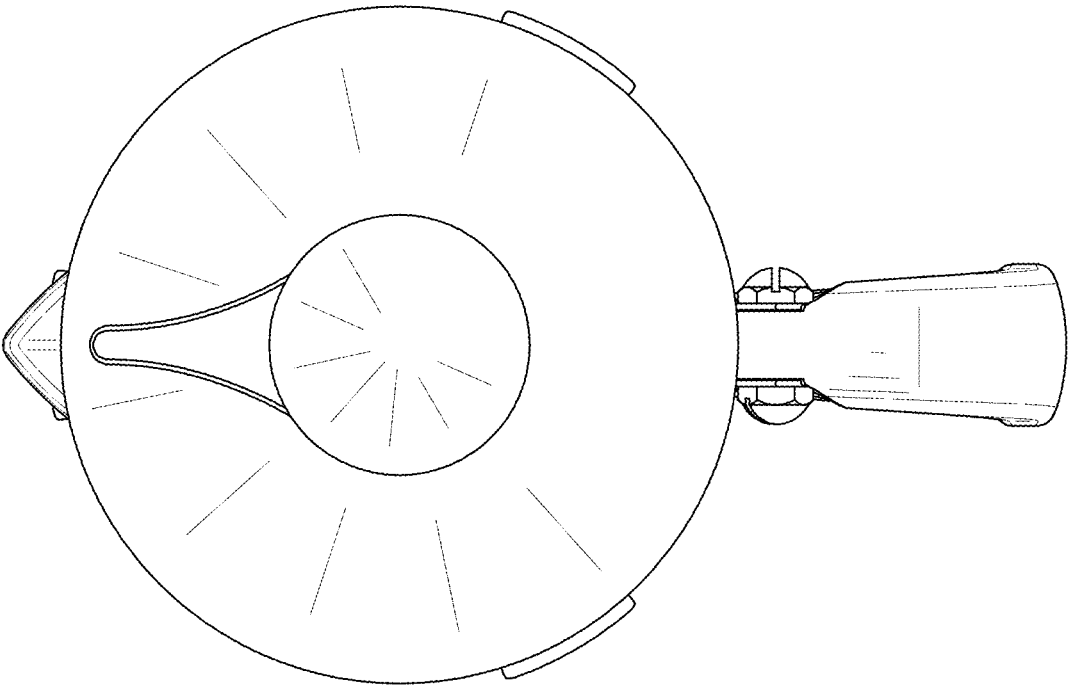


FIG. 7

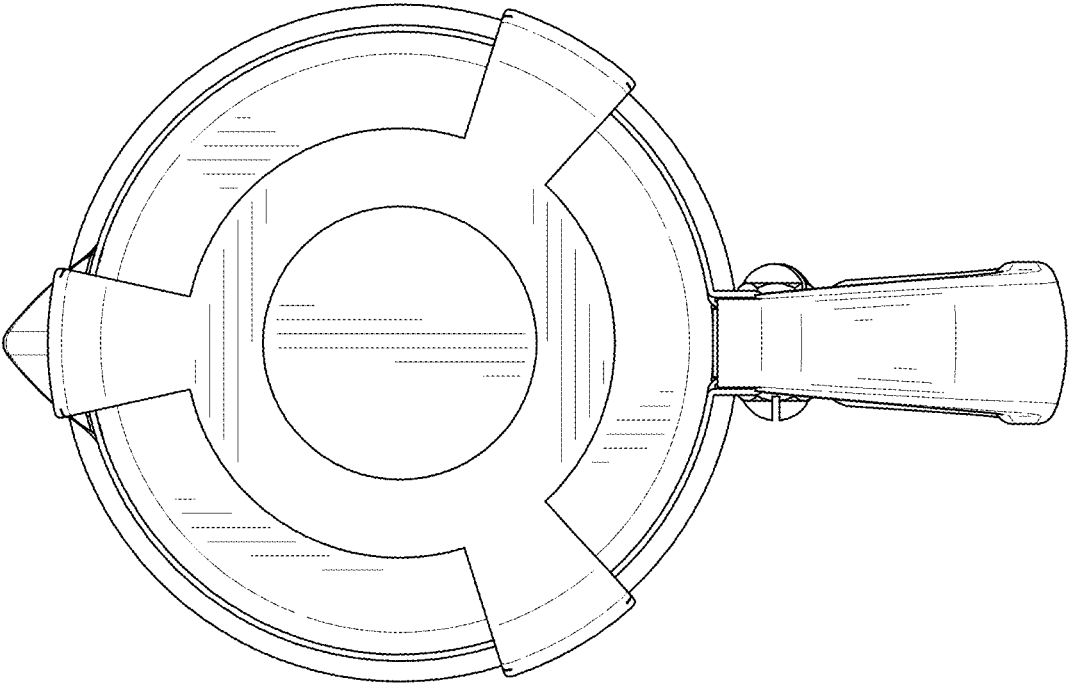


FIG. 8