

(19) World Intellectual Property Organization
International Bureau



(43) International Publication Date
20 March 2003 (20.03.2003)

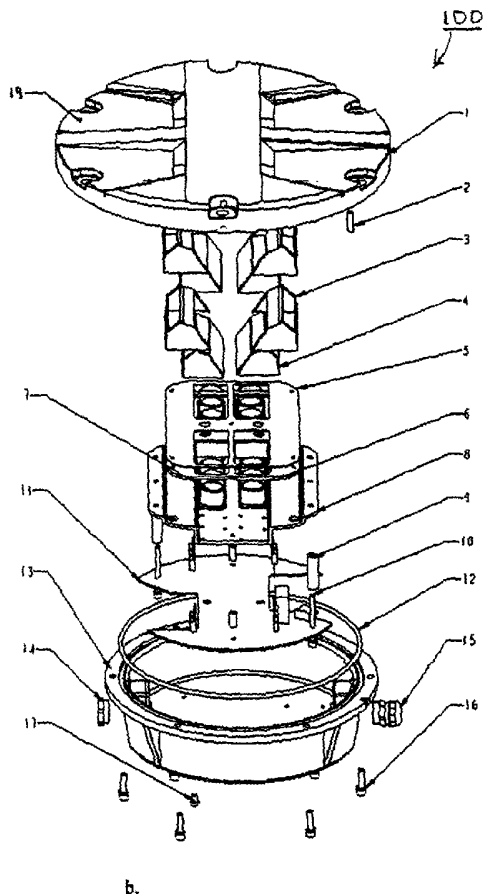
PCT

(10) International Publication Number
WO 03/023276 A3

- (51) International Patent Classification⁷: E01F 9/00
- (21) International Application Number: PCT/US02/25956
- (22) International Filing Date: 30 August 2002 (30.08.2002)
- (25) Filing Language: English
- (26) Publication Language: English
- (30) Priority Data:
09/950,780 13 September 2001 (13.09.2001) US
- (71) Applicant: DIALIGHT CORPORATION [US/US];
1501 Route 34 South, Farmingdale, NJ 07727 (US).
- (72) Inventors: YOU, Chenhua; 1594 Horseshoe Drive, Man-
asquan, NJ 08736 (US). SAAVEDRA, Maria, E.; 178
North Broadway, South Amboy, NJ 08879 (US).
- (74) Agent: SACHAR, Surinder; Oblon, Spivak, McClelland,
Maier & Neustadt, P.C., 1940 Duke Street, Alexandrai, VA
22314 (US).
- (81) Designated States (*national*): AE, AG, AL, AM, AT, AU,
AZ, BA, BB, BG, BR, BY, BZ, CA, CH, CN, CO, CR, CU,
CZ, DE, DK, DM, DZ, EC, EE, ES, FI, GB, GD, GE, GH,
GM, HR, HU, ID, IL, IN, IS, JP, KE, KG, KP, KR, KZ, LC,
LK, LR, LS, LT, LU, LV, MA, MD, MG, MK, MN, MW,
MX, MZ, NO, NZ, OM, PH, PL, PT, RO, RU, SD, SE, SG,
SI, SK, SL, TJ, TM, TN, TR, TT, TZ, UA, UG, UZ, VC,
VN, YU, ZA, ZM, ZW.
- (84) Designated States (*regional*): ARIPO patent (GH, GM,
KE, LS, MW, MZ, SD, SL, SZ, TZ, UG, ZM, ZW),
Eurasian patent (AM, AZ, BY, KG, KZ, MD, RU, TJ, TM),
European patent (AT, BE, BG, CH, CY, CZ, DE, DK, EE,
ES, FI, FR, GB, GR, IE, IT, LU, MC, NL, PT, SE, SK,

[Continued on next page]

(54) Title: LED IN-PAVEMENT LIGHT



(57) Abstract: An in-pavement light (100) that utilizes LEDs as its light source and that utilizes appropriate optics to properly direct light from the LED light source (7). Specifically, the in-pavement light includes a housing configured to be mounted at least partly below a ground level. An LED light source is housed in the housing. Optics (30), such as prisms (4), are configured to direct light from the LED light source such that at least part of the light is directed in a direction substantially parallel to a plane of the ground level.



WO 03/023276 A3



TR), OAPI patent (BF, BJ, CF, CG, CI, CM, GA, GN, GQ,
GW, ML, MR, NE, SN, TD, TG).

(88) Date of publication of the international search report:
10 July 2003

Published:

— *with international search report*

For two-letter codes and other abbreviations, refer to the "Guidance Notes on Codes and Abbreviations" appearing at the beginning of each regular issue of the PCT Gazette.

INTERNATIONAL SEARCH REPORT

International application No.

PCT/US02/25956

A. CLASSIFICATION OF SUBJECT MATTER
 IPC(7) : E01F 9/00
 US CL : 362/153.1; 404/14, 23
 According to International Patent Classification (IPC) or to both national classification and IPC

B. FIELDS SEARCHED
 Minimum documentation searched (classification system followed by classification symbols)
 U.S. : 362/153.1, 240; 404/14, 15, 16, 22, 23
 Documentation searched other than minimum documentation to the extent that such documents are included in the fields searched
 NONE

Electronic data base consulted during the international search (name of data base and, where practicable, search terms used)
 USPTO APS EAST

C. DOCUMENTS CONSIDERED TO BE RELEVANT

Category *	Citation of document, with indication, where appropriate, of the relevant passages	Relevant to claim No.
X	US 3,369,113 A (LOCH) 13 February 1968 (13.02.1968), figures 1-3; column 2, lines 29-62.	1-20
Y	US 5,984,570 A (PARASHAR) 16 November 1999 (16.11.1999), figure 2; column 2, lines 60-65.	1

Further documents are listed in the continuation of Box C. See patent family annex.

* Special categories of cited documents:	"T"	later document published after the international filing date or priority date and not in conflict with the application but cited to understand the principle or theory underlying the invention
"A" document defining the general state of the art which is not considered to be of particular relevance	"X"	document of particular relevance; the claimed invention cannot be considered novel or cannot be considered to involve an inventive step when the document is taken alone
"E" earlier application or patent published on or after the international filing date	"Y"	document of particular relevance; the claimed invention cannot be considered to involve an inventive step when the document is combined with one or more other such documents, such combination being obvious to a person skilled in the art
"L" document which may throw doubts on priority claim(s) or which is cited to establish the publication date of another citation or other special reason (as specified)	"&"	document member of the same patent family
"O" document referring to an oral disclosure, use, exhibition or other means		
"P" document published prior to the international filing date but later than the priority date claimed		

Date of the actual completion of the international search 19 September 2002 (19.09.2002)	Date of mailing of the international search report 14 MAR 2003
---	--

Name and mailing address of the ISA/US Commissioner of Patents and Trademarks Box PCT Washington, D.C. 20231 Facsimile No. (703) 305-3230	Authorized officer Bao Q. Truong Telephone No. (703) 308 0956 <i>Renee P. ...</i>
---	--