



US00D900064S

(12) **United States Design Patent**  
**Laffon de Mazieres et al.**

(10) **Patent No.:** **US D900,064 S**

(45) **Date of Patent:** **\*\* Oct. 27, 2020**

(54) **EARBUD**

(71) Applicant: **Amazon Technologies, Inc.**, Seattle, WA (US)

(72) Inventors: **Emmanuel Laffon de Mazieres**, Burlingame, CA (US); **Marc Rene Walliser**, San Francisco, CA (US)

(73) Assignee: **Amazon Technologies, Inc.**, Seattle, WA (US)

(\*\*) Term: **15 Years**

(21) Appl. No.: **29/671,625**

(22) Filed: **Nov. 28, 2018**

(51) **LOC (12) Cl.** ..... **14-01**

(52) **U.S. Cl.**  
USPC ..... **D14/223**

(58) **Field of Classification Search**  
USPC ..... D14/223, 205; D24/174; 128/864, 865, 128/866; 181/129, 130, 135; 379/430, 379/431; 381/380, 381, 374; 455/90.3, 455/575.1, 569.1  
CPC ..... H04R 1/10; H04R 25/00; H04R 1/1066; H04R 1/1016; H04R 5/033; H04R 5/0335  
See application file for complete search history.

(56) **References Cited**

**U.S. PATENT DOCUMENTS**

D236,988 S *	9/1975	Walters	.....	D14/223
D287,764 S *	1/1987	Topholm	.....	D24/174
D287,765 S *	1/1987	Topholm	.....	D24/174
D295,173 S *	4/1988	Oren	.....	D14/168
D321,881 S *	11/1991	Hopewell	.....	D14/192
D348,066 S *	6/1994	Lucey	.....	D14/205
D417,465 S *	12/1999	Kreitz	.....	D14/192
D477,593 S *	7/2003	Komiyama	.....	D14/223
D477,822 S *	7/2003	Komiyama	.....	D14/223
D481,709 S *	11/2003	Solderits	.....	D14/223
D505,411 S *	5/2005	Sakai	.....	D14/192

D519,108 S *	4/2006	Yang	.....	D14/223
D588,111 S *	3/2009	Komiyama	.....	D14/223
D603,380 S *	11/2009	Hutchieson	.....	D14/223
D637,999 S *	5/2011	Brunner	.....	D14/205
D641,010 S *	7/2011	Kwon	.....	D14/223

(Continued)

**FOREIGN PATENT DOCUMENTS**

CN	304651069	*	5/2018
CN	305053654	*	3/2019

(Continued)

**OTHER PUBLICATIONS**

The Indian Office Action dated Jun. 21, 2019 for Indian Patent Application No. 317708-001, a counter part of U.S. Appl. No. 29/671,625, 2 pages.

(Continued)

*Primary Examiner* — Paula Allen Greene

(74) *Attorney, Agent, or Firm* — Lee & Hayes, P.C.

(57) **CLAIM**

The ornamental design for an earbud, as shown and described.

**DESCRIPTION**

FIG. 1 is a top perspective view of an earbud showing our new design; a mirror image earbud is evident from the earbud shown;

FIG. 2 is a front view thereof;

FIG. 3 is a back view thereof;

FIG. 4 is a left-side view thereof;

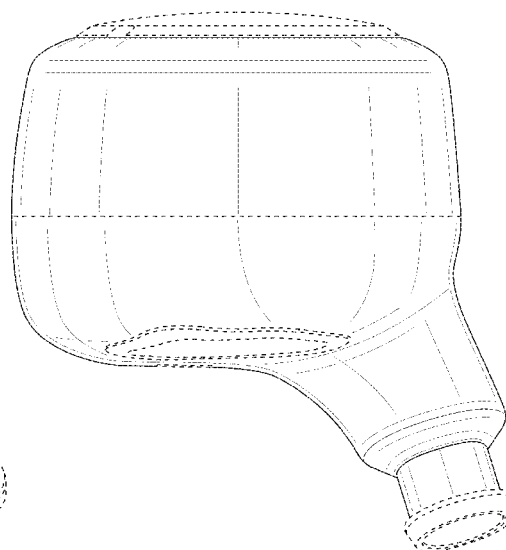
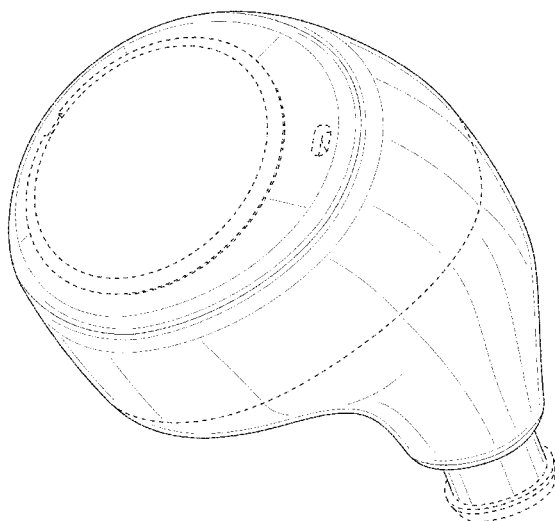
FIG. 5 is a right-side view thereof;

FIG. 6 is a top view thereof; and,

FIG. 7 is a bottom view thereof.

The dashed broken lines depict portions of the earbud that are for illustrative purposes only and form no part of the claimed design.

**1 Claim, 7 Drawing Sheets**



(56)

## References Cited

## U.S. PATENT DOCUMENTS

D652,817	S	*	1/2012	Lee	.....	D14/205
D652,822	S	*	1/2012	Lee	.....	D14/223
D654,056	S	*	2/2012	Hoggarth	.....	D14/205
D666,581	S	*	9/2012	Perez	.....	D14/223
8,406,448	B2	*	3/2013	Lin	.....	H04R 1/1091 381/332
D685,764	S	*	7/2013	Coulter	.....	D14/205
8,565,466	B2	*	10/2013	Kuhr	.....	H04R 1/1016 381/322
D699,226	S	*	2/2014	Yoon	.....	D14/206
D711,356	S	*	8/2014	Yang	.....	D14/223
D719,550	S	*	12/2014	Yang	.....	D14/223
D725,082	S	*	3/2015	Palmborg	.....	D14/223
D726,145	S	*	4/2015	Hsieh	.....	D14/205
D727,871	S	*	4/2015	Orbach	.....	D14/205
D728,107	S	*	4/2015	Torres Martin	.....	D24/174
D733,102	S	*	6/2015	Palmborg	.....	D14/223
D733,103	S	*	6/2015	Jeong	.....	D14/224
D735,169	S	*	7/2015	Shieh	.....	D14/223
D738,863	S	*	9/2015	Laffon de Mazieres	....	D14/223
D742,861	S	*	11/2015	Miyake	.....	D14/223
D764,445	S	*	8/2016	Czaniecki	.....	D14/223
D773,032	S	*	11/2016	Palmborg	.....	D24/106
D776,092	S	*	1/2017	Laffon de Mazieres	....	D14/223
D777,710	S	*	1/2017	Palmborg	.....	D14/223
D778,267	S	*	2/2017	Hsieh	.....	D14/223
D781,269	S	*	3/2017	Choe	.....	D14/223
D782,997	S	*	4/2017	Shin	.....	D14/205
D782,998	S	*	4/2017	Shin	.....	D14/205
D788,079	S	*	5/2017	Son	.....	D14/223
D798,843	S	*	10/2017	Valenzuela	.....	D14/223
D800,097	S	*	10/2017	Chen	.....	D14/223
D801,951	S	*	11/2017	Bao	.....	D14/223
D806,879	S	*	1/2018	Horbinski	.....	D24/174
D812,042	S	*	3/2018	Xiao	.....	D14/223
D813,206	S	*	3/2018	Tang	.....	D14/223
D818,900	S	*	5/2018	Waterhouse	.....	D12/169
D824,371	S	*	7/2018	Loermann	.....	D14/223
D841,627	S	*	2/2019	Wen	.....	D14/223
10,234,133	B2	*	3/2019	Hirsch	.....	F21V 33/0056
D845,932	S	*	4/2019	Lu	.....	D14/223
D847,126	S	*	4/2019	Loermann	.....	D14/223
D852,782	S	*	7/2019	Bergman	.....	D14/223
D858,489	S	*	9/2019	Hu	.....	D14/223
D863,260	S	*	10/2019	Zheng	.....	D14/223
D864,167	S	*	10/2019	Wu	.....	D14/223
D868,752	S	*	12/2019	Zhu	.....	D14/223
D870,707	S	*	12/2019	Yang	.....	D14/223
D871,376	S	*	12/2019	Zhou	.....	D14/223
D873,248	S	*	1/2020	Weicheng	.....	D14/223
D875,714	S	*	2/2020	Kim	.....	D14/205
D879,074	S	*	3/2020	Komiya	.....	D14/223
D880,457	S	*	4/2020	Zhu	.....	D14/223
D883,257	S	*	5/2020	Duddy	.....	D14/223
D883,261	S	*	5/2020	Zhang	.....	D14/223
D883,958	S	*	5/2020	Liu	.....	D14/223
D884,681	S	*	5/2020	Zhang	.....	D14/223
D885,372	S	*	5/2020	Wang	.....	D14/223
D887,395	S	*	6/2020	Wang	.....	D14/223
2007/0263896	A1	*	11/2007	Chen	.....	H04R 1/105 381/381
2011/0293130	A1	*	12/2011	Huang	.....	H04R 1/1016 381/380
2012/0114160	A1	*	5/2012	Lin	.....	H04R 1/1091 381/380

## FOREIGN PATENT DOCUMENTS

CN	305485217	*	12/2019
CN	305595436	*	2/2020
EM	004170959-0001	*	8/2017
EM	004360519-0001	*	9/2017
EM	001474134	*	9/2019
EM	006810230	*	9/2019
EM	004556629-0001	*	12/2019
EM	007341722-0002	*	12/2019

## OTHER PUBLICATIONS

The Chinese Office Action dated Oct. 9, 2019 for Chinese Design Application No. 201930257281.2, a counter part of Design U.S. Appl. No. 29/671,625, 1 pages.

The Canadian Office Action dated Apr. 20, 2020 for Canadian Patent Application No. 187447, a counterpart of U.S. Appl. No. 29/671,625, 3 pages.

\* cited by examiner

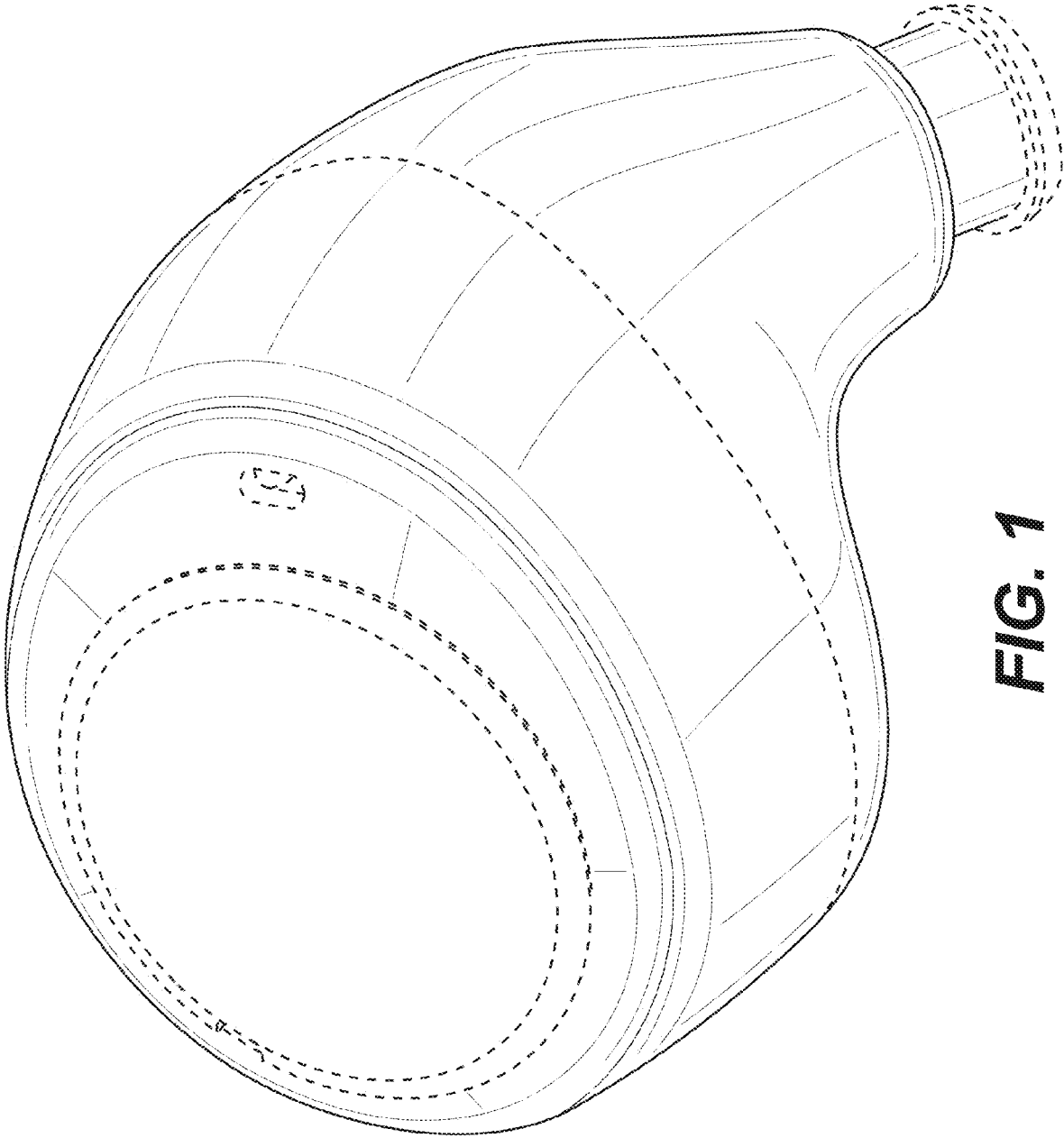
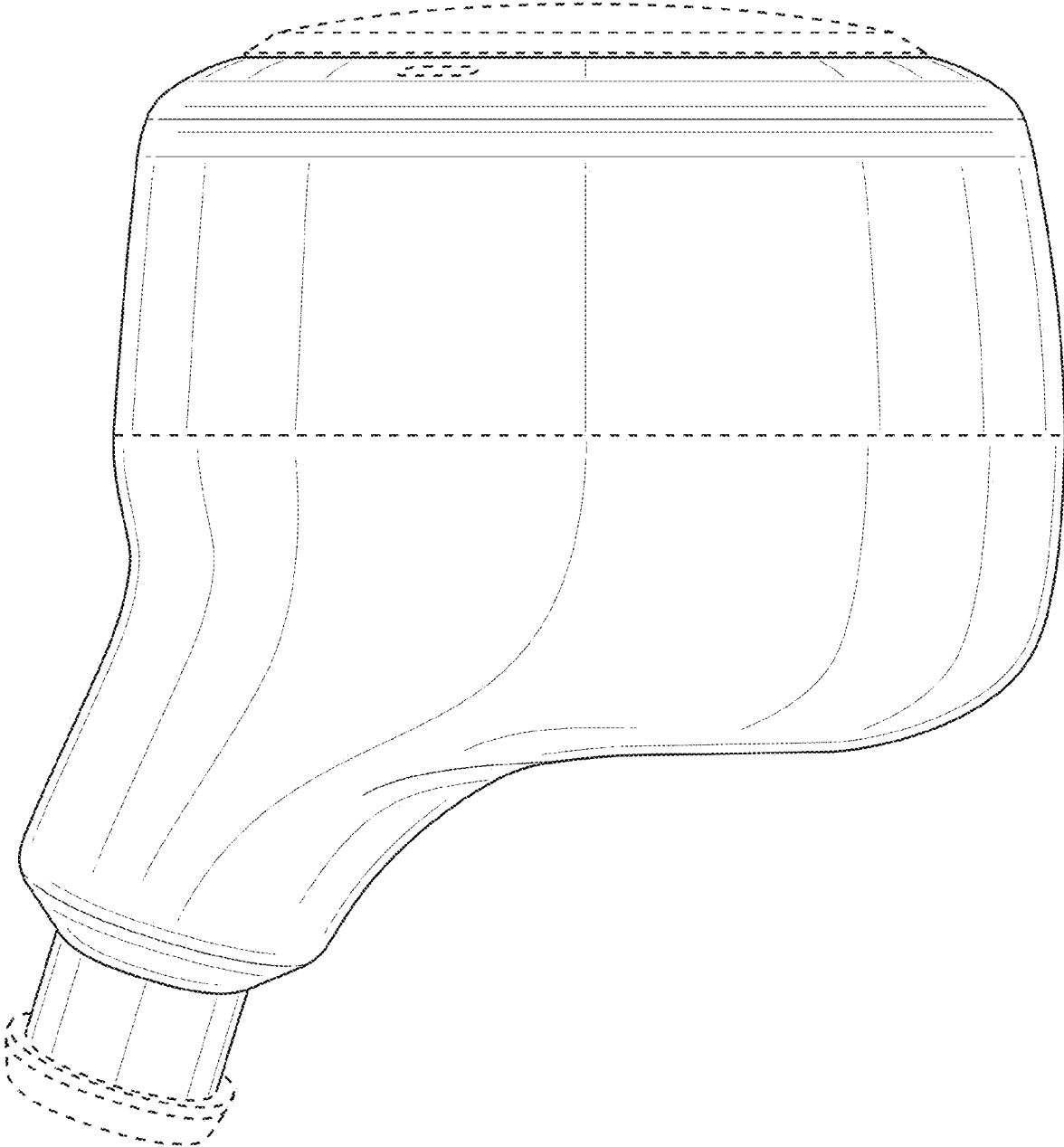
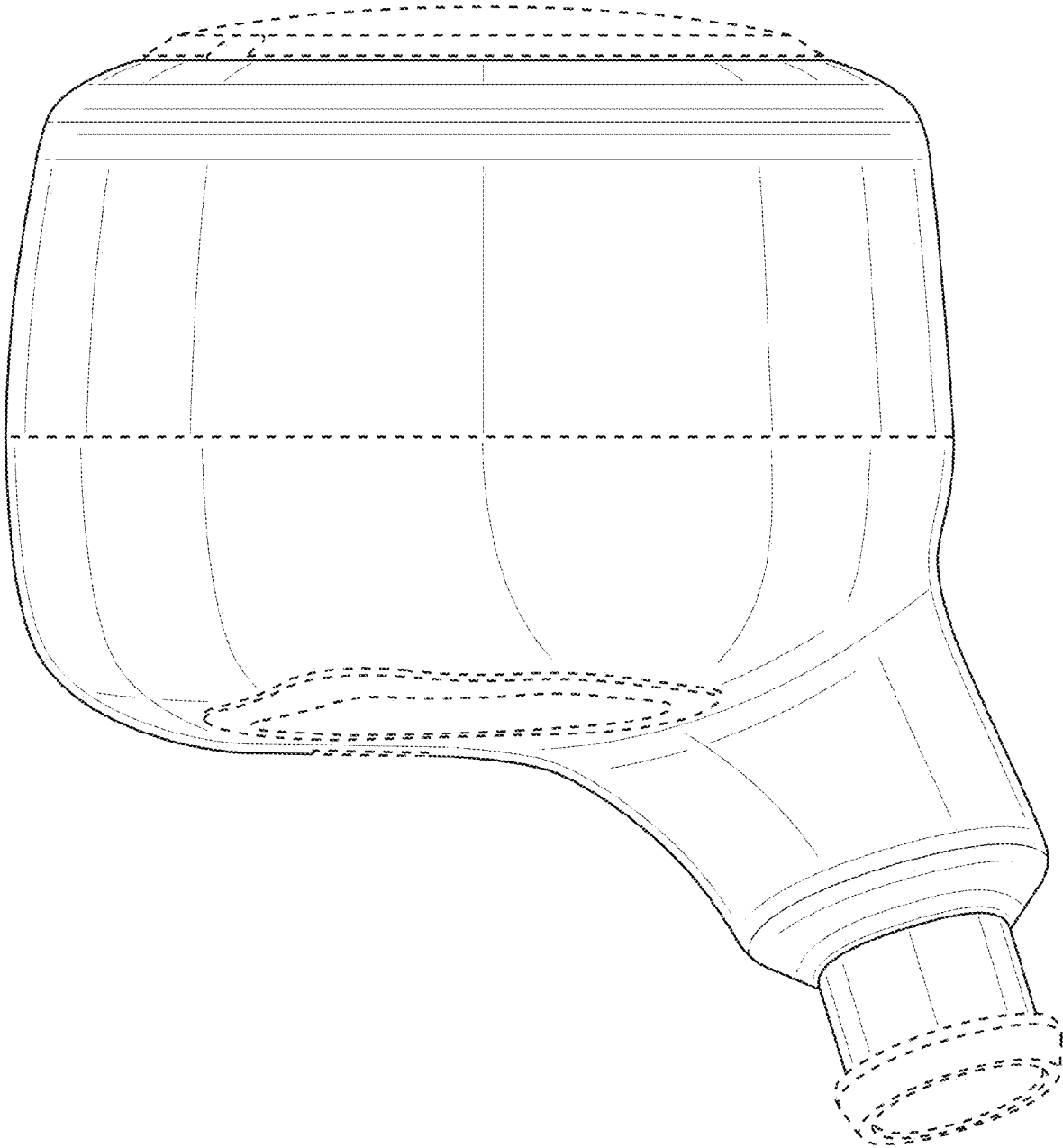


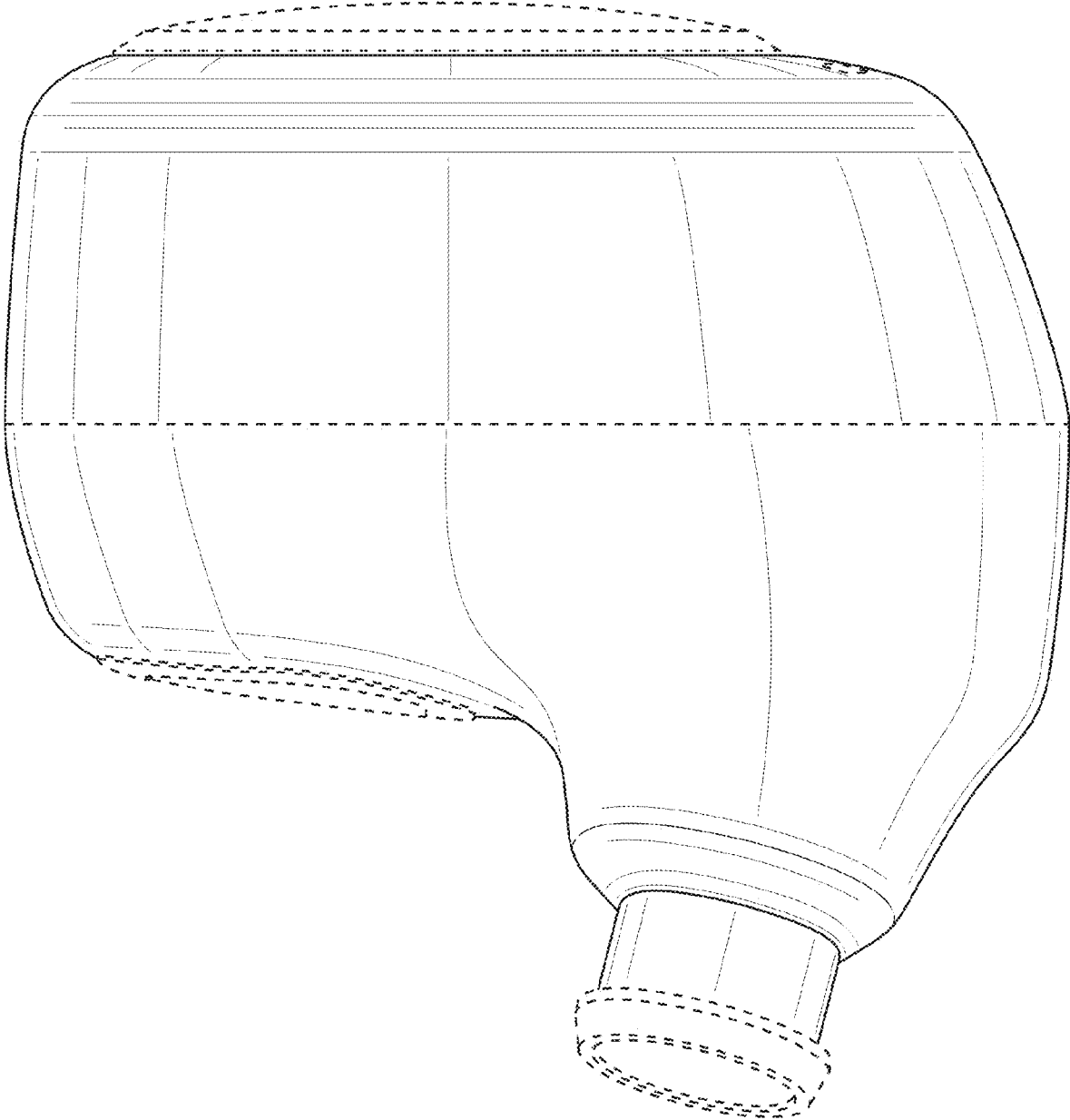
FIG. 1



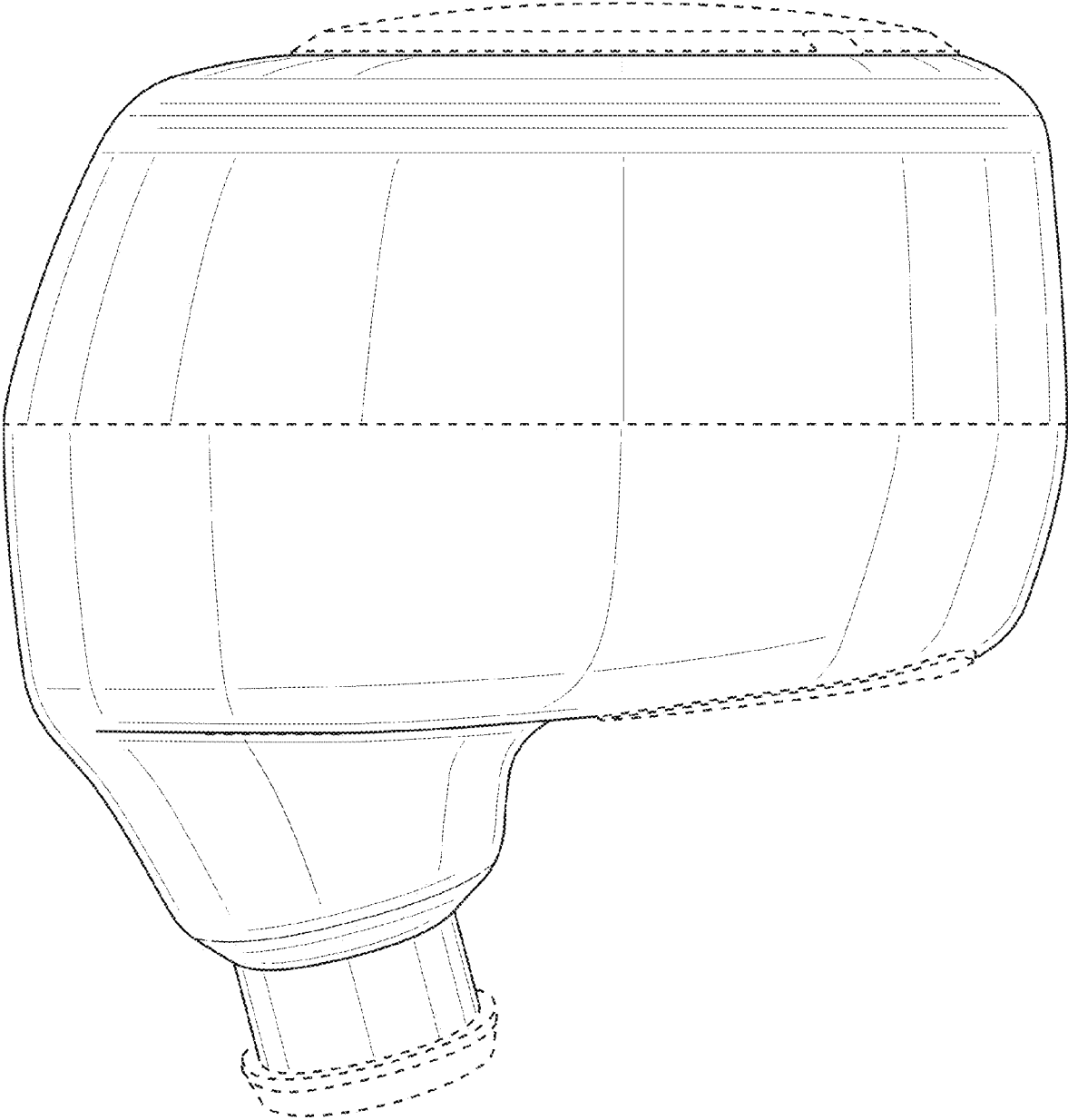
**FIG. 2**



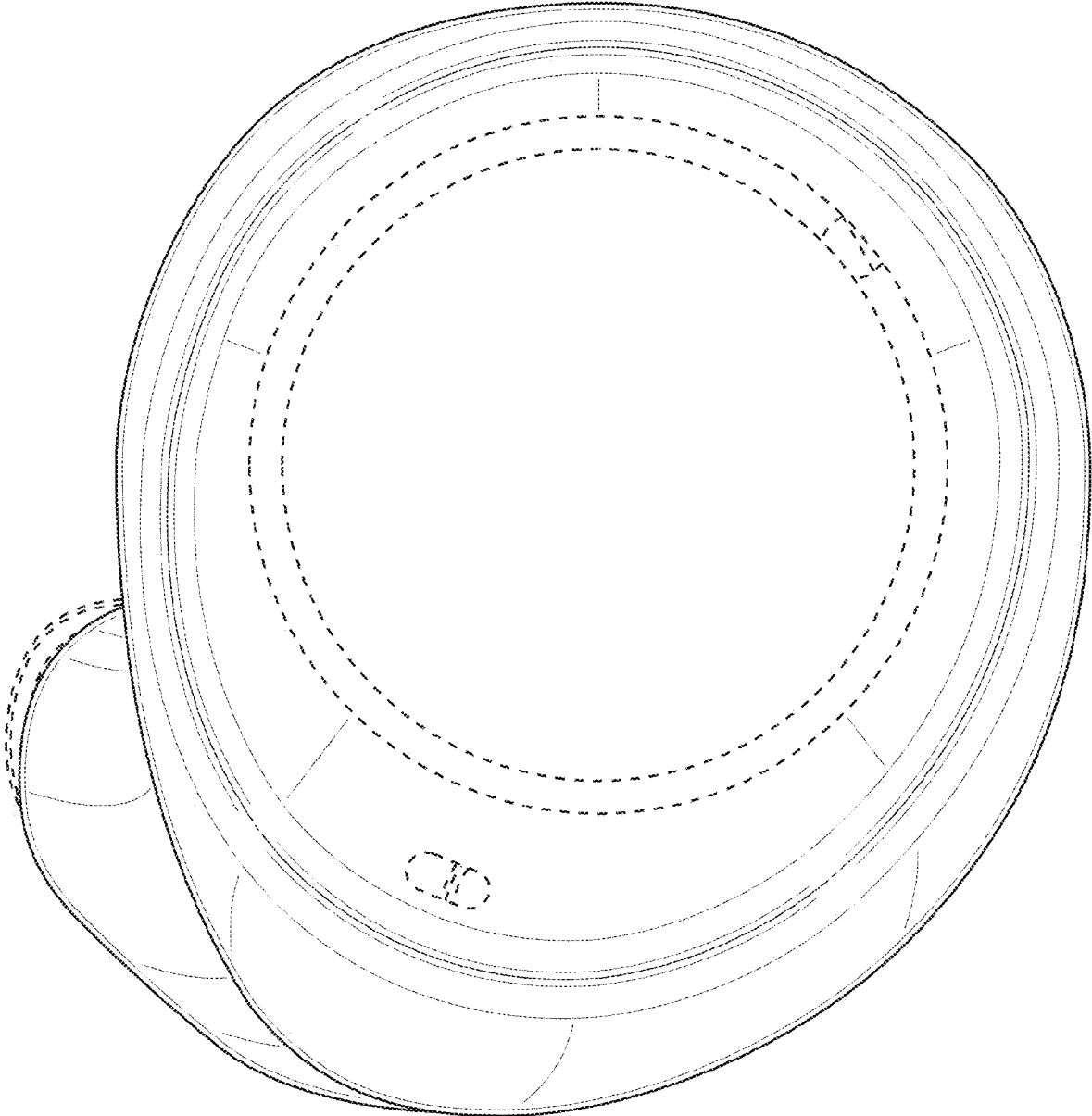
**FIG. 3**



**FIG. 4**

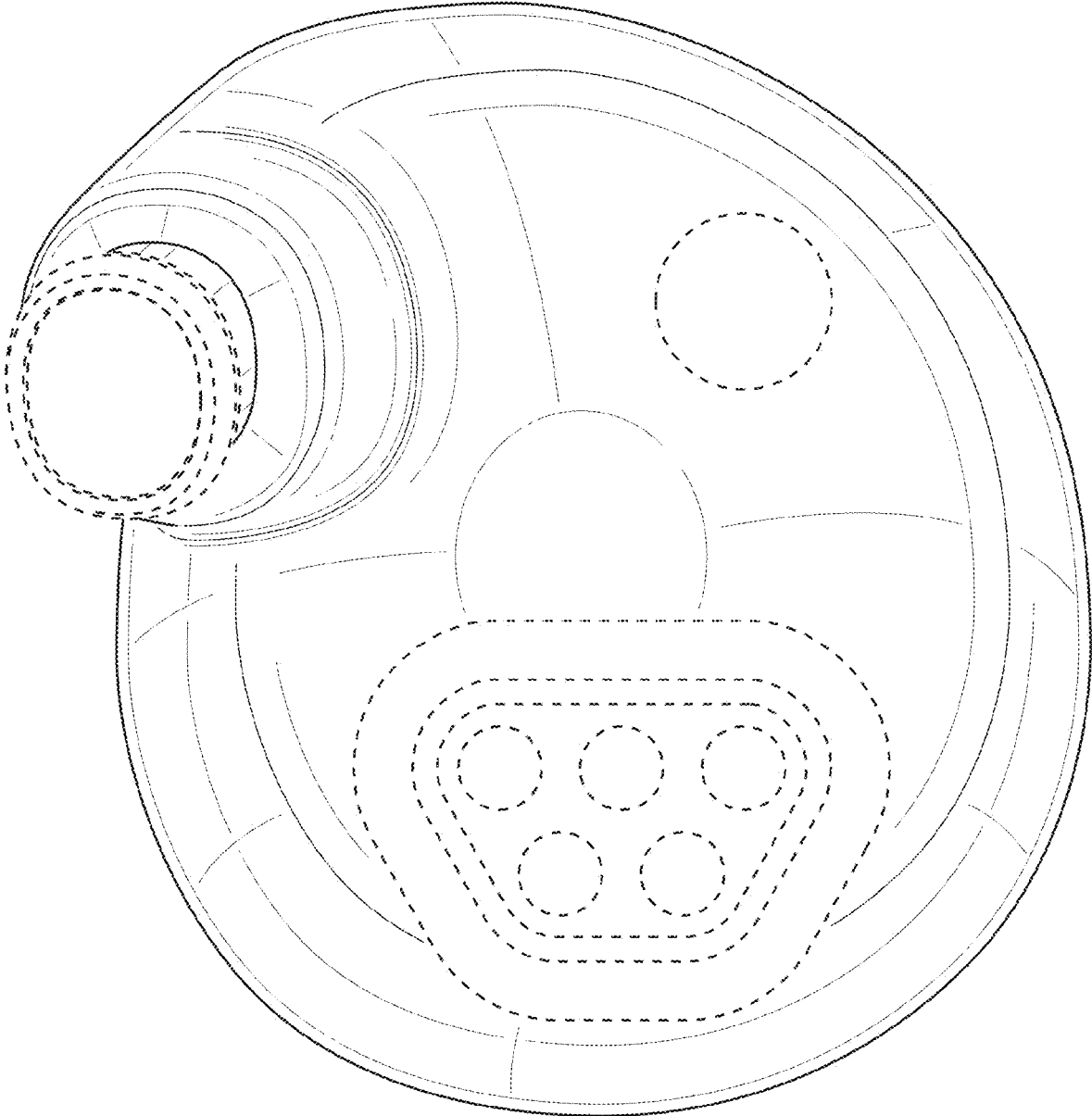


**FIG. 5**



**FIG. 6**





**FIG. 7**