



US00D993333S

(12) **United States Design Patent**
Brunet et al.

(10) **Patent No.:** **US D993,333 S**

(45) **Date of Patent:** **** Jul. 25, 2023**

(54) **CONSTRUCTION SET ELEMENT**

FOREIGN PATENT DOCUMENTS

(71) Applicant: **Mattel-MEGA Holdings (US), LLC**,
El Segundo, CA (US)

CN 108635884 10/2018
CN 305049662 * 2/2019

(Continued)

(72) Inventors: **Philippe Brunet**, Lachine (CA); **Benoit Vézina**, Montreal (CA); **Thierry Beauregard**, Boisbriand (CA)

OTHER PUBLICATIONS

Walmart Website, Mega Bloks Pull Along Puppy, Earliest Comment Date: Jul. 30, 2020[Website Visited Mar. 3, 2023] Available on the Internet URL <https://www.walmart.com/ip/764736815> (Year: 2020).*

(Continued)

(73) Assignee: **Mattel-MEGA Holdings (US), LLC**,
El Segundo, CA (US)

(**) Term: **15 Years**

Primary Examiner — S. Bryan Reinholdt, Jr.

Assistant Examiner — James T Tyree

(21) Appl. No.: **29/776,441**

(74) *Attorney, Agent, or Firm* — Plumsea Law Group, LLC

(22) Filed: **Mar. 30, 2021**

(51) **LOC (14) Cl.** **21-03**

(52) **U.S. Cl.**

USPC **D21/620**; D21/576

(58) **Field of Classification Search**

USPC D21/620, 429, 576, 592, 578, 483;
D6/598; D11/158; D9/601, 605

CPC A63H 7/04; A63H 3/005

See application file for complete search history.

(57) **CLAIM**

The ornamental design for a construction set element, as shown and described.

DESCRIPTION

FIG. 1 is a top front isometric perspective view of a construction set element showing our new design; FIG. 2 is a front elevational view thereof; FIG. 3 is a rear elevational view thereof; FIG. 4 is a side elevational view thereof; FIG. 5 is an opposite side elevational view thereof; FIG. 6 is a top plan view thereof; and, FIG. 7 is a bottom plan view thereof.

The evenly-spaced broken lines and unshaded areas in the figures illustrate portions of the article's appearance that form no part of the claimed design. The long and short broken lines define bounds of the claimed design and form no part thereof.

The shading is provided merely to represent contours of the design and does not connote the character of the surfaces such as any specific texture, material, gloss, translucence, transparency, surface treatment, or surface decoration.

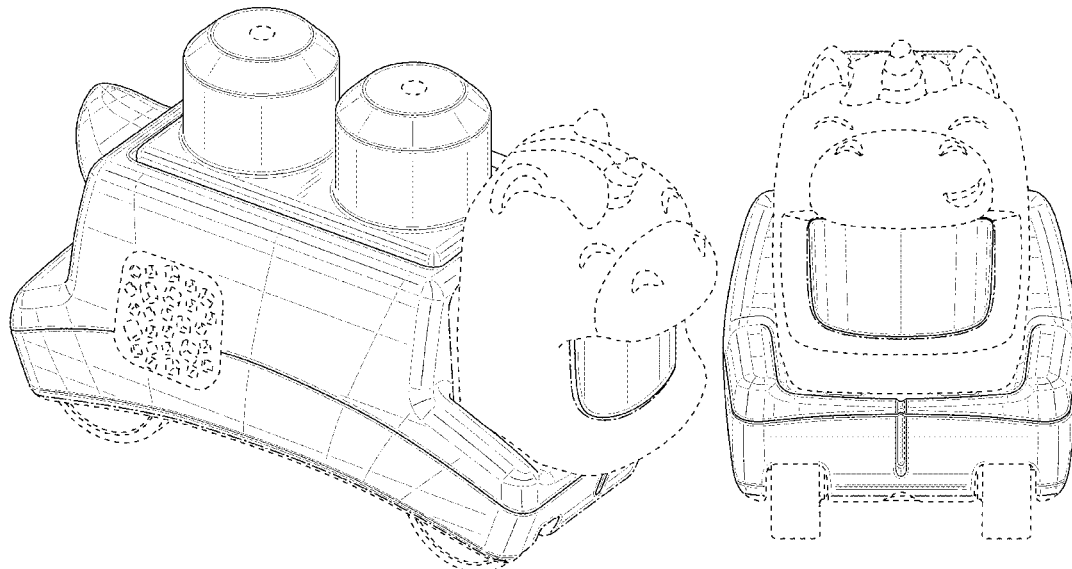
(56) **References Cited**

U.S. PATENT DOCUMENTS

D267,727	S	*	1/1983	Doe	D21/429
D294,373	S	*	2/1988	Bertrand	D21/495
D345,390	S	*	3/1994	Spence, Jr.	D21/429
D359,314	S	*	6/1995	Baerenwald	D21/429
D363,516	S	*	10/1995	Mathiesen	D21/484
D369,022	S	*	4/1996	Sun	D3/276
6,558,225	B1		5/2003	Rehkemper et al.		
D494,643	S		8/2004	Bresciani et al.		
D495,764	S		9/2004	Bresciani et al.		
6,893,316	B2		5/2005	Maxwell et al.		
D562,412	S	*	2/2008	Tremblay	D21/536

(Continued)

1 Claim, 7 Drawing Sheets



(56)

References Cited

U.S. PATENT DOCUMENTS

7,658,662 B2 2/2010 Tremblay et al.
 7,708,615 B2 5/2010 Munch
 D647,698 S 11/2011 Dally
 D647,699 S 11/2011 Dally
 8,079,890 B2 12/2011 Seligman
 D687,224 S 8/2013 Lacroix
 D687,910 S 8/2013 Provencher et al.
 D688,330 S 8/2013 Provencher et al.
 D688,332 S 8/2013 Stosiak et al.
 D688,333 S 8/2013 Stosiak et al.
 D688,334 S 8/2013 Stosiak et al.
 D688,335 S 8/2013 Stosiak et al.
 D688,336 S 8/2013 Provencher et al.
 D700,248 S 2/2014 Proulx et al.
 D707,554 S * 6/2014 Lavoie D9/435
 9,016,902 B1 4/2015 Lin et al.
 D750,485 S * 3/2016 Lavoie D9/435
 D751,152 S 3/2016 Pestel et al.
 D751,153 S 3/2016 Lacroix et al.
 D751,154 S 3/2016 Oligny-Lemieux et al.
 D753,774 S 4/2016 Proulx et al.
 9,457,287 B1 10/2016 Lin et al.
 D786,985 S 5/2017 Ramiere et al.
 D789,459 S 6/2017 Ramiere et al.
 D790,395 S 6/2017 Beauregard et al.
 9,841,180 B1 12/2017 Lin et al.
 D829,127 S 9/2018 Beauregard et al.
 D834,106 S 11/2018 Pestel
 D837,311 S 1/2019 Vezina et al.

D842,396 S 3/2019 Vezina et al.
 D842,938 S 3/2019 Vezina et al.
 D843,484 S * 3/2019 Rodriguez Garcia D21/429
 D846,433 S 4/2019 Charria et al.
 D848,542 S 5/2019 Pestel
 D864,306 S * 10/2019 Cyr D21/429
 D879,206 S * 3/2020 Talios D21/417
 D887,893 S 6/2020 Beauregard et al.
 D897,456 S 9/2020 Vezina
 D897,457 S 9/2020 Vezina
 2004/0136186 A1 7/2004 Hsu
 2013/0109268 A1 5/2013 Lin
 2016/0325200 A1 11/2016 Lu
 2019/0232185 A1 8/2019 Lin et al.
 2021/0347397 A1* 11/2021 de Stoop A63H 17/38

FOREIGN PATENT DOCUMENTS

CN 306262660 * 1/2021
 CN 307328365 * 5/2022
 KR 20150054600 A 5/2015
 WO 2020007262 A1 1/2020
 WO 2020062927 A1 4/2020

OTHER PUBLICATIONS

Amazon Website, Kiddieland Magical Ride-On Unicorn, Earliest Available Date: Apr. 15, 2020[Website Visited Mar. 3, 2023] Available on the Internet URL <https://www.amazon.com/dp/B085TC358M/> (Year: 2020).*

* cited by examiner

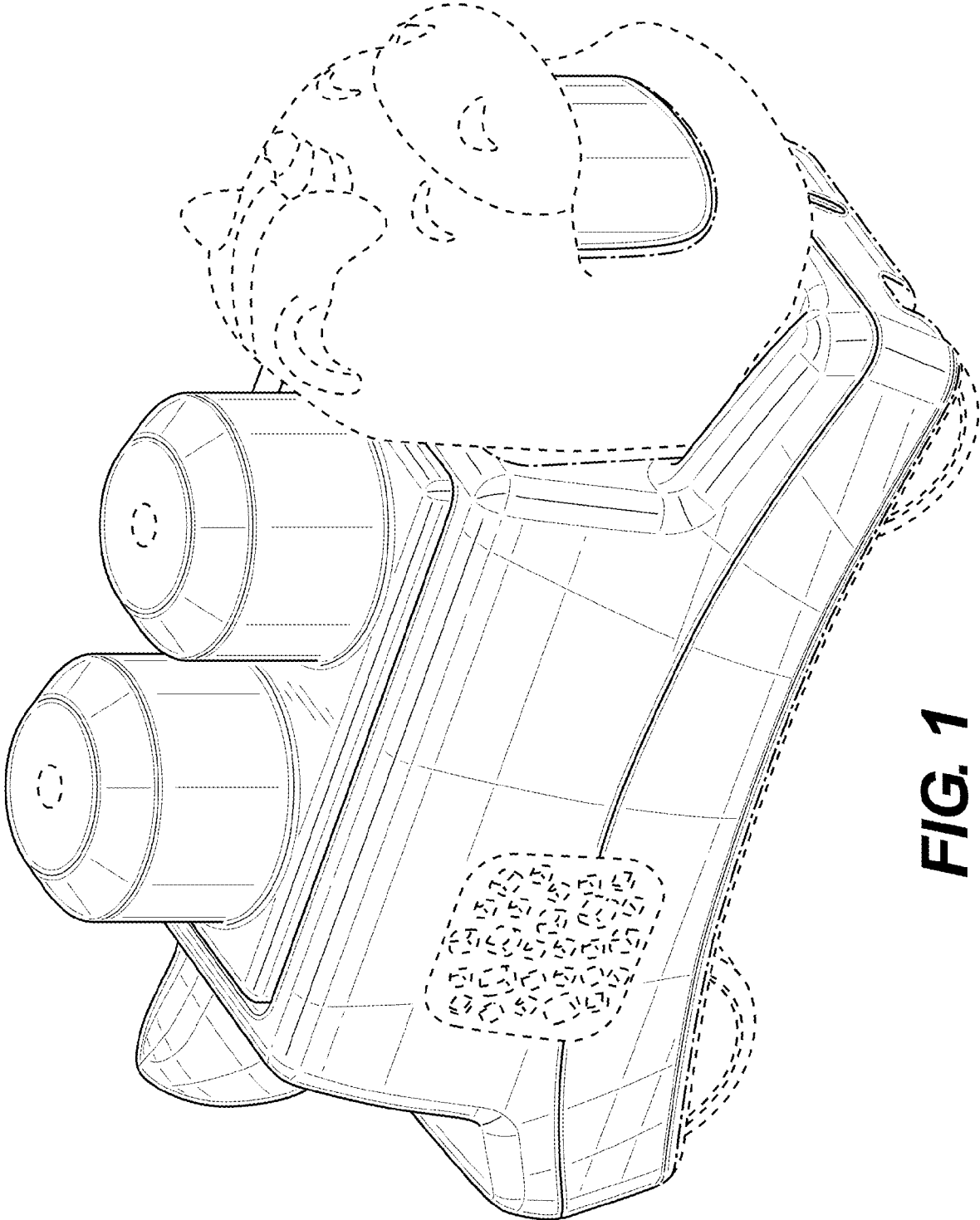


FIG. 1

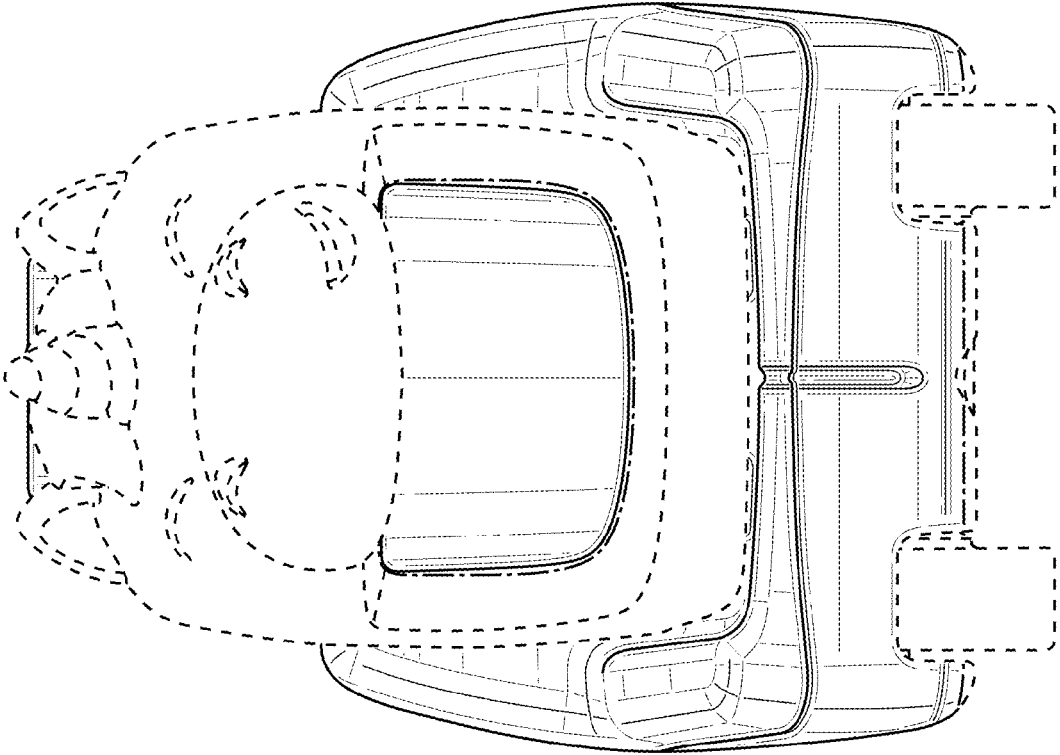


FIG. 2

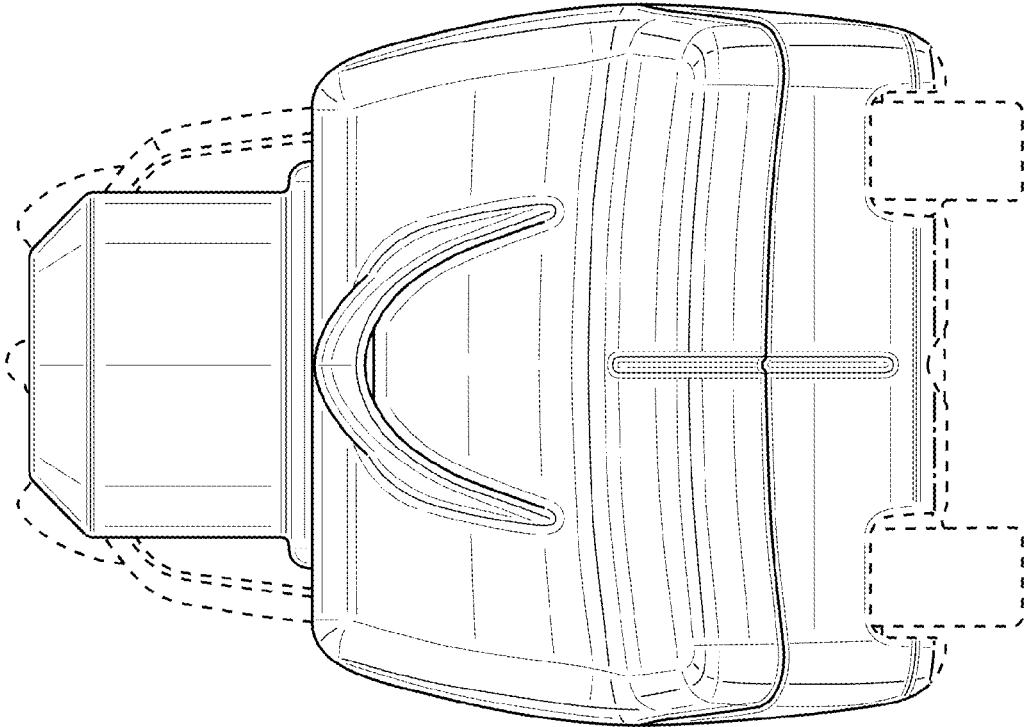


FIG. 3

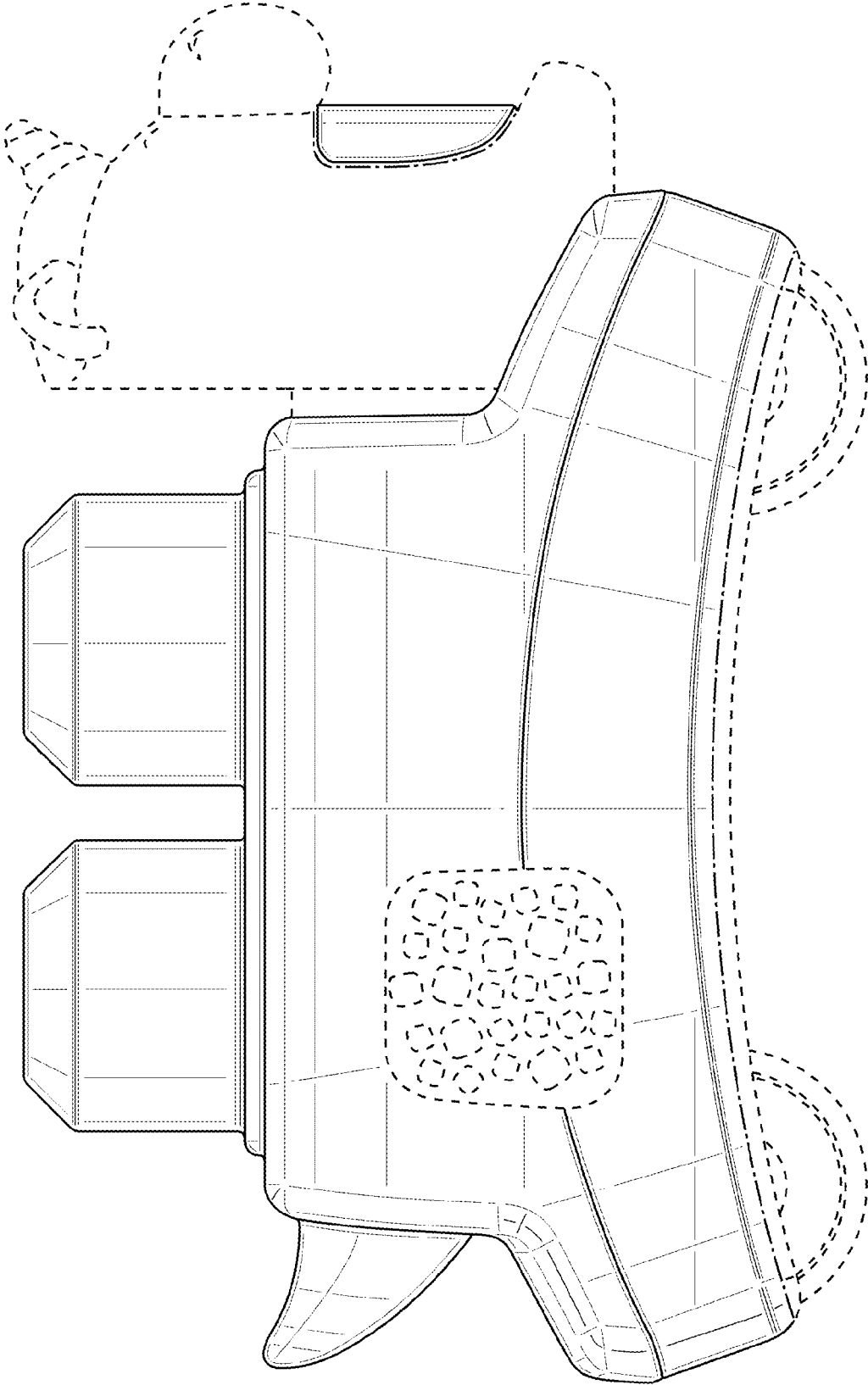


FIG. 4

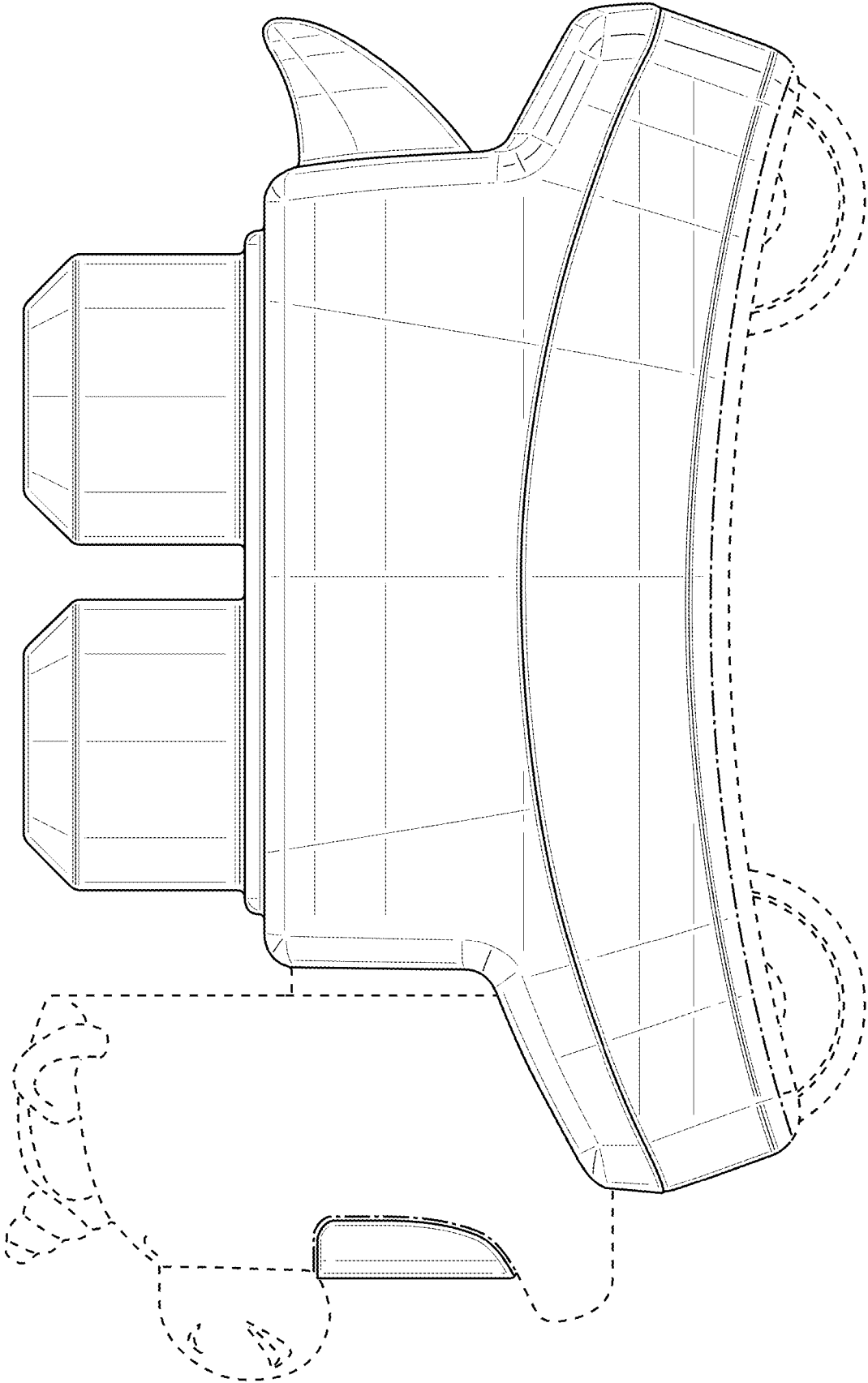


FIG. 5

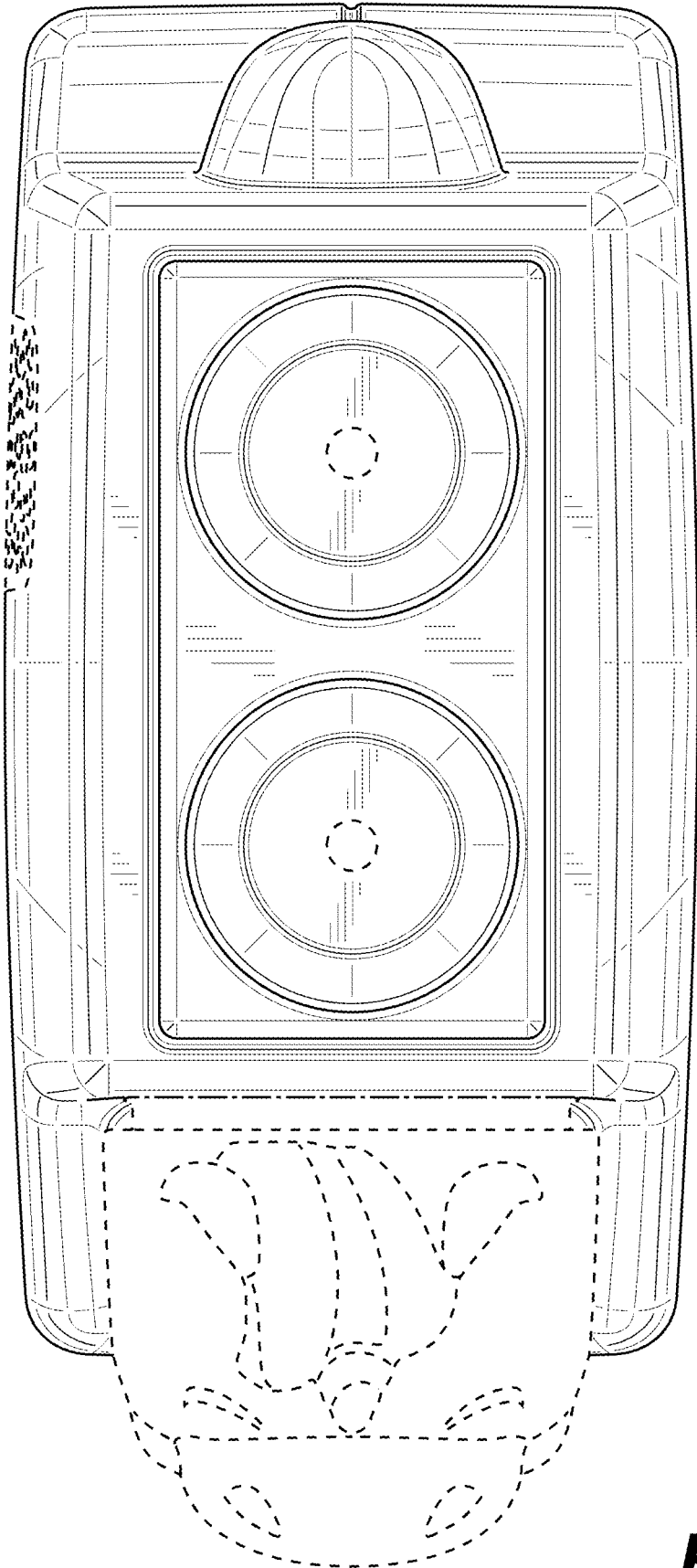


FIG. 6

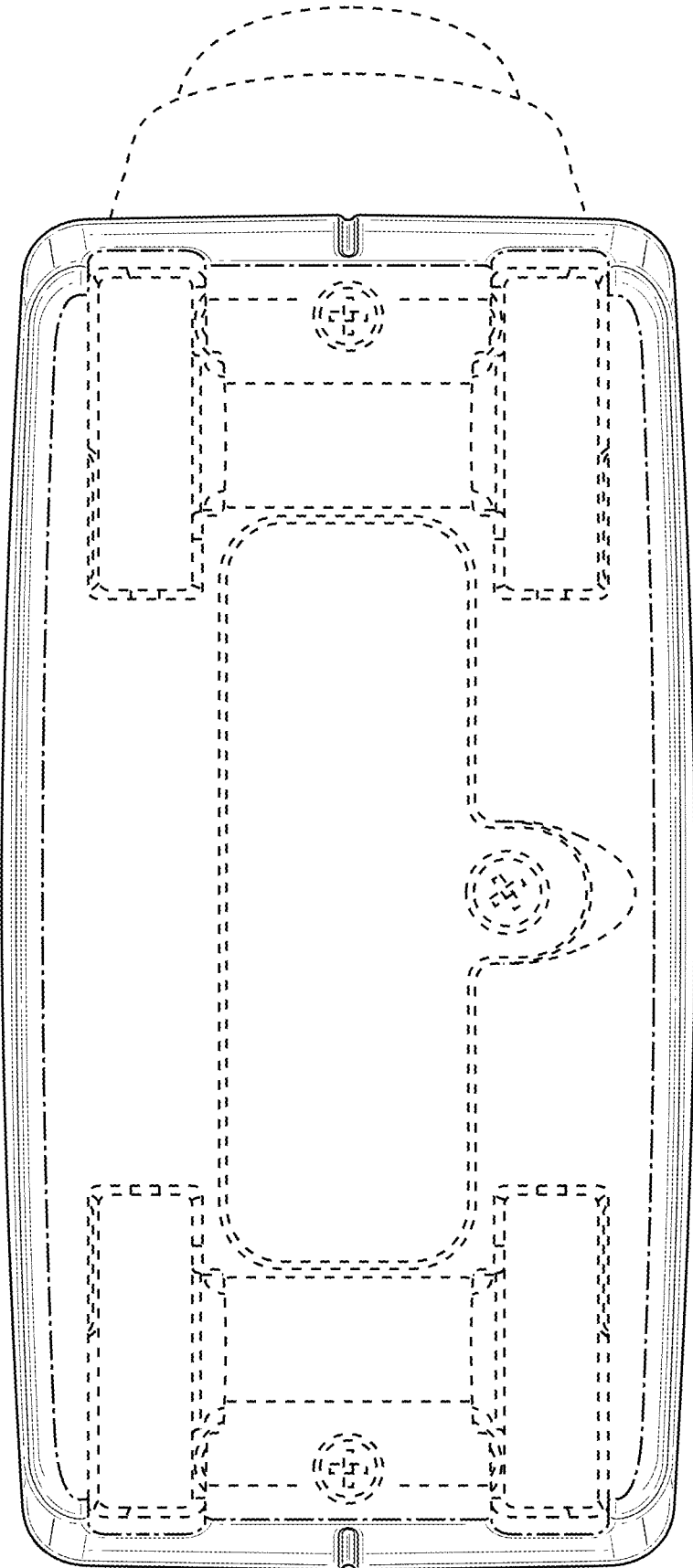


FIG. 7