

(19) World Intellectual Property Organization  
International Bureau



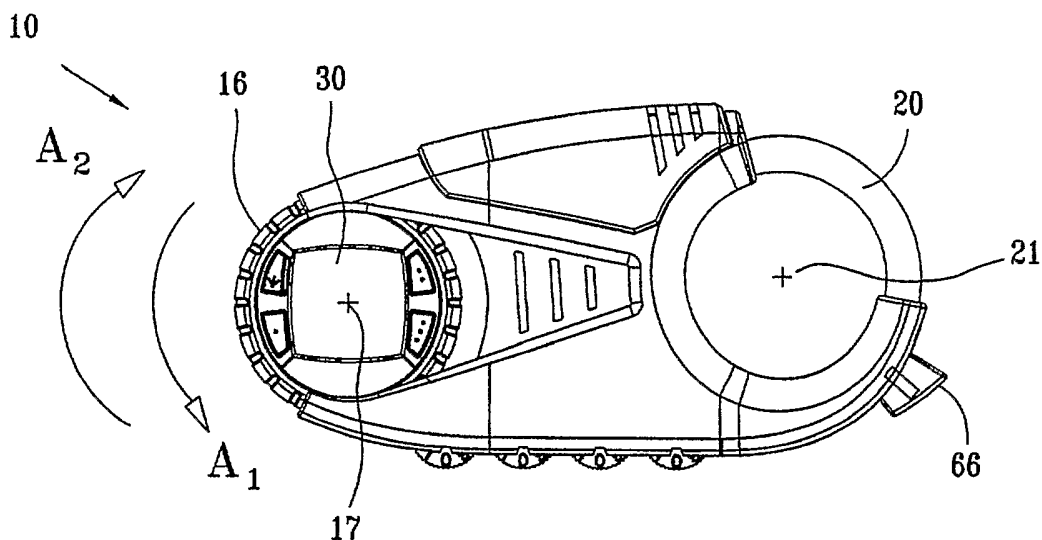
(43) International Publication Date  
9 February 2006 (09.02.2006)

PCT

(10) International Publication Number  
WO 2006/014423 A3

- (51) International Patent Classification:  
E05B 37/06 (2006.01)
- (21) International Application Number:  
PCT/US2005/023805
- (22) International Filing Date: 6 July 2005 (06.07.2005)
- (25) Filing Language: English
- (26) Publication Language: English
- (30) Priority Data:  
60/521,808 6 July 2004 (06.07.2004) US
- (71) Applicant (for all designated States except US): MASTER LOCK COMPANY [US/US]; 137 W. Forest Hill Avenue, P.O. Box 927, Oak Creek, WI 53154 (US).
- (72) Inventors; and  
(75) Inventors/Applicants (for US only): SMYCZEK, Chris [US/US]; 5050 S. 102nd Street, Greenfield, WI 53228 (US). VAN HANDEL, Mark [US/US]; 818 E. Russell Avenue, Milwaukee, WI 53207 (US). MARCELLE, Jesse [US/US]; W182 S6513 Muskego Drive, Muskego, WI 53150 (US).
- (74) Agent: JOHNSTON, William, A.; Calfee, Halter & Griswold, LLP, 1700 McDonald Investment Center, 800 Superior Avenue, Cleveland, OH 44114 (US).
- (81) Designated States (unless otherwise indicated, for every kind of national protection available): AE, AG, AL, AM, AT, AU, AZ, BA, BB, BG, BR, BW, BY, BZ, CA, CH, CN, CO, CR, CU, CZ, DE, DK, DM, DZ, EC, EE, EG, ES, FI, GB, GD, GE, GH, GM, HR, HU, ID, IL, IN, IS, JP, KE, KG, KM, KP, KR, KZ, LC, LK, LR, LS, LT, LU, LV, MA, MD, MG, MK, MN, MW, MX, MZ, NA, NG, NI, NO, NZ, OM, PG, PH, PL, PT, RO, RU, SC, SD, SE, SG, SK, SL, SM, SY, TJ, TM, TN, TR, TT, TZ, UA, UG, US, UZ, VC, VN, YU, ZA, ZM, ZW.
- (84) Designated States (unless otherwise indicated, for every kind of regional protection available): ARIPO (BW, GH, GM, KE, LS, MW, MZ, NA, SD, SL, SZ, TZ, UG, ZM, ZW), Eurasian (AM, AZ, BY, KG, KZ, MD, RU, TJ, TM), European (AT, BE, BG, CH, CY, CZ, DE, DK, EE, ES, FI, FR, GB, GR, HU, IE, IS, IT, LT, LU, LV, MC, NL, PL, PT, RO, SE, SI, SK, TR), OAPI (BF, BJ, CF, CG, CI, CM, GA, GN, GQ, GW, ML, MR, NE, SN, TD, TG).
- Published:  
— with international search report
- (88) Date of publication of the international search report:  
22 June 2006
- For two-letter codes and other abbreviations, refer to the "Guidance Notes on Codes and Abbreviations" appearing at the beginning of each regular issue of the PCT Gazette.

(54) Title: LOCK



(57) Abstract: A lock for securing to a selected base object by a user is disclosed. The lock includes a housing, a time display device secured to the housing, a locking mechanism attached to the housing, and a shackle having a first portion disposed within the housing and a second portion disposed between an open position and a closed position. When disengaged from the locking mechanism, the shackle is movable between the closed position and the open position by user manipulation of the locking mechanism. The locking mechanism can be a various styles, such as for example, a padlock or a dial combination. The shackle can be of various structures, shapes and styles. The time display device may include a rotatable face plate. The lock may include illumination means, such as for example, a user operated flashlight.

WO 2006/014423 A3

# INTERNATIONAL SEARCH REPORT

International application No.

PCT/US05/23805

**A. CLASSIFICATION OF SUBJECT MATTER**

IPC: **E05B 37/06** (2006.01)

USPC: 070/025

According to International Patent Classification (IPC) or to both national classification and IPC

**B. FIELDS SEARCHED**

Minimum documentation searched (classification system followed by classification symbols)

U.S. : 070/025, 21, 22, 27, 28, 48, 51, 52, 53; 362/100, 253

Documentation searched other than minimum documentation to the extent that such documents are included in the fields searched

Electronic data base consulted during the international search (name of data base and, where practicable, search terms used)

**C. DOCUMENTS CONSIDERED TO BE RELEVANT**

Category *	Citation of document, with indication, where appropriate, of the relevant passages	Relevant to claim No.
Y	US 5,609,048 A (LING) 11 March 1997 (11.03.1997)	1-3,5-15,17, 18
Y	US 6,527,434 B1 (FOX et al.) 04 March 2003 (04.03.2003)	1-3, 5-15, 17-20
Y	US 5,765,409 A (YANG) 16 June 1998 (16.06.1998)	2 and 14
Y	US 5,832,752 A (ZELLER) 10 November 1998 (10.11.1998)	11,18,19,20
A	US 5,042,277 A (JENN-RONG) 27 August 1991 (27.08.1991)	

Further documents are listed in the continuation of Box C.

See patent family annex.

Special categories of cited documents:		
"A" document defining the general state of the art which is not considered to be of particular relevance	"T"	later document published after the international filing date or priority date and not in conflict with the application but cited to understand the principle or theory underlying the invention
"E" earlier application or patent published on or after the international filing date	"X"	document of particular relevance; the claimed invention cannot be considered novel or cannot be considered to involve an inventive step when the document is taken alone
"L" document which may throw doubts on priority claim(s) or which is cited to establish the publication date of another citation or other special reason (as specified)	"Y"	document of particular relevance; the claimed invention cannot be considered to involve an inventive step when the document is combined with one or more other such documents, such combination being obvious to a person skilled in the art
"O" document referring to an oral disclosure, use, exhibition or other means	"&"	document member of the same patent family
"P" document published prior to the international filing date but later than the priority date claimed		

Date of the actual completion of the international search

21 February 2006 (21.02.2006)

Date of mailing of the international search report

**08 MAR 2006**

Name and mailing address of the ISA/US

Mail Stop PCT, Attn: ISA/US  
Commissioner for Patents  
P.O. Box 1450  
Alexandria, Virginia 22313-1450

Facsimile No. (571) 273-3201

Authorized officer

*Kenneth Dorner*  
Kenneth Dorner

Telephone No. 571-272-3600