

(19) World Intellectual Property
Organization
International Bureau



(43) International Publication Date
18 March 2004 (18.03.2004)

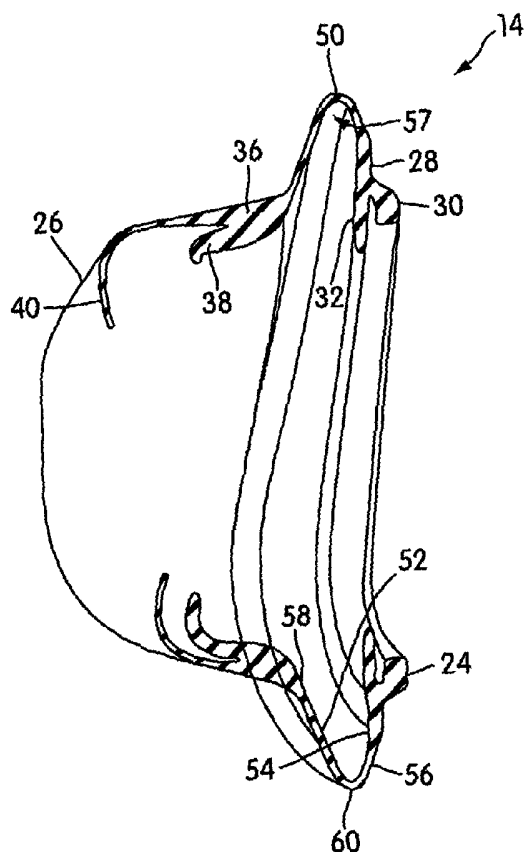
PCT

(10) International Publication Number
WO 2004/022146 A1

- (51) International Patent Classification⁷: **A61M 16/06**, A62B 18/08
- (21) International Application Number: PCT/AU2003/001163
- (22) International Filing Date: 5 September 2003 (05.09.2003)
- (25) Filing Language: English
- (26) Publication Language: English
- (30) Priority Data:
10/235,846 6 September 2002 (06.09.2002) US
60/424,686 8 November 2002 (08.11.2002) US
60/483,622 1 July 2003 (01.07.2003) US
- (71) Applicant (for all designated States except US): **RESMED LIMITED** [AU/AU]; 97 Waterloo Road, North Ryde, New South Wales 2113 (AU).
- (72) Inventors; and
(75) Inventors/Applicants (for US only): **LITHGOW, Perry, David** [AU/AU]; 9 Staff Avenue, Glenwood, New South Wales 2768 (AU). **FRATER, Robert, Henry** [AU/AU]; 21a Napier Street, Lindfield, New South Wales 2070 (AU). **GUNEY, Memduh** [AU/AU]; 52 Eastgate Avenue, Killara, New South Wales 2071 (AU). **DREW, Joanne, Elizabeth** [GB/AU]; 82 Curban Street, Balgowlah Heights, New South Wales 2093 (AU). **FU, Timothy, Tsun-Fai** [AU/AU]; 11 Bevan Place, Carlingford, New South Wales 2118 (AU). **KWOK, Philip, Rodney** [AU/AU]; 97 Waterloo Road, North Ryde, New South Wales 2113 (AU). **DARKIN, Donald** [GB/AU]; 2 Athella Place, Dural, New South Wales 2158 (AU).
- (74) Agents: **DAVIDSON, Geoffrey, Robert** et al.; Halford & Co., Level 7, 1 Market Street, SYDNEY, New South Wales 2000 (AU).

[Continued on next page]

(54) Title: CUSHION FOR A RESPIRATORY MASK ASSEMBLY



(57) Abstract: A respiratory mask assembly for delivering breathable gas to a patient includes a frame and a cushion (14). The cushion (14) has a non-face contacting portion structured to be connected to the frame, a face-contacting portion (26) structured to engage the patient's face, and an intermediate portion (28) that interconnects the non-face contacting portion and the face-contacting portion (26). The intermediate portion (28) includes a gusset portion that applies a first component of force to the patient's face through the face-contacting portion (26). A spring structure is coupled with the face-contacting portion (26) of the cushion (14). The spring structure applies a second component of force to the patient's face through the face-contacting portion (26). The first and second components of force applied by the gusset portion and spring structure, respectively, determine a contact force of the cushion (14) applied to the patient's face through the face-contacting portion (26). The intermediate portion (28) may also include an elastic cuff portion. Further, in the case of an oral mask, the sealing section may include a portion that is designed to promote a better seal in the chin region of the mask.

WO 2004/022146 A1



(81) **Designated States (national):** AE, AG, AL, AM, AT, AU, AZ, BA, BB, BG, BR, BY, BZ, CA, CH, CN, CO, CR, CU, CZ, DE, DK, DM, DZ, EC, EE, ES, FI, GB, GD, GE, GH, GM, HR, HU, ID, IL, IN, IS, JP, KE, KG, KP, KR, KZ, LC, LK, LR, LS, LT, LU, LV, MA, MD, MG, MK, MN, MW, MX, MZ, NI, NO, NZ, OM, PG, PH, PL, PT, RO, RU, SC, SD, SE, SG, SK, SL, SY, TJ, TM, TN, TR, TT, TZ, UA, UG, US, UZ, VC, VN, YU, ZA, ZM, ZW.

(84) **Designated States (regional):** ARIPO patent (GH, GM, KE, LS, MW, MZ, SD, SL, SZ, TZ, UG, ZM, ZW), Eurasian patent (AM, AZ, BY, KG, KZ, MD, RU, TJ, TM),

European patent (AT, BE, BG, CH, CY, CZ, DE, DK, EE, ES, FI, FR, GB, GR, HU, IE, IT, LU, MC, NL, PT, RO, SE, SI, SK, TR), OAPI patent (BF, BJ, CF, CG, CI, CM, GA, GN, GQ, GW, ML, MR, NE, SN, TD, TG).

Published:

— with international search report

For two-letter codes and other abbreviations, refer to the "Guidance Notes on Codes and Abbreviations" appearing at the beginning of each regular issue of the PCT Gazette.

CUSHION FOR A RESPIRATORY MASK ASSEMBLY**CROSS REFERENCE TO PRIORITY APPLICATIONS**

This application claims priority to U.S. Provisional Application No. 60/424,686 filed November 8, 2002, U.S. Provisional Application No 60/483,622 filed July 1, 2003, and U.S. Non-Provisional Application No. 10/235,846 filed September 6, 2002, which in turn claims priority to U.S. Provisional Application No. 60/317,486 filed September 7, 2001 and U.S. Provisional Application No. 60/342,854 filed December 28, 2001. Each of the above identified applications is incorporated herein by reference in its entirety.

FIELD OF THE INVENTION

10 The present invention relates to a cushion for a respiratory mask assembly used for providing ventilatory support, e.g., for treatment of Sleep Disordered Breathing (SDB) with Non-invasive Positive Pressure Ventilation (NPPV).

BACKGROUND OF THE INVENTION

15 The use of NPPV for treatment of SDB such as Obstructive Sleep Apnea (OSA) was pioneered by Sullivan (see U.S. Patent No. 4,944,310). Apparatus for the treatment of SDB involves a blower which delivers a supply of air at positive pressure to a patient interface via a conduit. The patient interface may take several forms, such as a nasal mask assembly and a nasal and mouth mask assembly. Patients typically wear a mask assembly while sleeping to receive the NPPV therapy.

20 Mask assemblies typically comprise a rigid shell or frame and a soft face-contacting cushion. The cushion spaces the frame away from the patient's face. The frame and cushion define a cavity which receives the nose or nose and mouth. The frame and cushion are held in position on the patient's face by a headgear assembly. The headgear assembly typically comprises an arrangement of straps which pass along both sides of the patient's face to the
25 back or crown of the patient's head.

U.S. Patent No. 5,243,971 (Sullivan and Bruderer) describes a nasal mask assembly for Continuous Positive Airway Pressure (CPAP) having a ballooning/molding seal that conforms with the patient's nose and facial contours. The mask assembly has a face-contacting portion mounted to a shell which is sized and shaped to overfit the nose region of the patient. The

face-contacting portion is in the form of a distendable membrane which is molded from an elastic plastics material. The distendable membrane and the shell together define a chamber. Pressurized gas admitted to the chamber causes the membrane to distend outwardly from the patient's face. The contents of this patent are hereby incorporated by reference.

5 U.S. Patent No. 6,112,746 (Kwok et al.) describes a nasal mask assembly and a mask cushion therefor. The cushion comprises a substantially triangularly shaped frame from which extends a membrane. The frame has a scalloped edge by which the cushion is affixed to a mask body. The membrane has an aperture into which the patient's nose is received. The membrane is spaced away from the rim of the frame, and its outer surface is of substantially
10 the same shape as the rim. The contents of this patent are hereby incorporated by reference.

In a traditional mask assembly including a cushion, a seal is formed between the cushion and the face of a patient as the result of a contact force which acts along a contact line of the cushion. The contact force typically is a function of tension in the headgear straps which acts through the frame of the mask assembly, the walls of the cushion and the seal-forming
15 portion of the cushion. In a traditional mask assembly, the frame defines a cavity or volute adapted to receive at least a portion of the nose, with the cushion forming a perimeter of the cavity. Thus, in use, the portion of the patient's face within the cavity is exposed to air or breathable gas at positive pressure and hence receives a force as the result of that positive pressure.

20 PCT Patent Application AU01/00746, published as WO 01/97893 (Frater et al.), describes a mask assembly for delivering air to a patient that includes a suspension mechanism to allow relative movement between a face-contacting cushion and a mask shell. The suspension mechanism also provides a predetermined force to the cushion that is a function of mask pressure, displacement of the cushion, or both. The contents of this patent are hereby
25 incorporated by reference.

U.S. Patent No. 5,074,297 (Venegas) describes a respiratory mask assembly for use with intermittent positive pressure breathing treatment which is said to facilitate the formation and automatic adjustment of the seal between a patient's face and a facial unit of the respiratory mask. The respirator mask assembly comprises a facial unit, an expandable piston adjacent the
30 facial unit and a rigid support structure attached to one end of the piston, and an attachment mechanism for securing the mask assembly to a patient. During the inspiration portion of the

ventilation cycle a positive pressure is developed within the mask assembly, causing the piston to expand. Because the attachment mechanism and the support cooperate to resist significant expansion of the piston, a force is generated which presses the facial unit against the patient's face and maintains an air tight seal. When pressure within the mask unit decreases, the contact
5 force on the facial unit is likewise decreased and the seal is eliminated.

A common problem with prior art mask assemblies, such as the mask assemblies taught by U.S. Patent Nos. 5,074,297, 5,243,971 and 6,112,746 and PCT Patent Application AU01/00746, is patient comfort. Patients can develop sores and red marks on their faces after several hours use of a mask assembly. The nasal bridge area of the patient's face has been
10 identified as being particularly sensitive.

Moreover, the face contacting portion may apply excessive pressure to the wearer's face resulting in discomfort and possibly skin irritation. This can occur when the face contacting portion is distorted beyond its normal range of elasticity to conform to certain facial contours, thus requiring the application of excessive forces to obtain a seal. In some cases, these
15 excessive pressures and forces may cause the wearer's face to distort to conform with the face contacting portion, which increases wearer discomfort, facial soreness and ulceration.

Another common problem with prior art mask assemblies is buildup of CO₂ in the mask cavity. Mask assemblies typically include a vent which allows the continuous washout of exhaled gasses from the cavity. One factor affecting the washout of exhaled gases is the dead
20 space within the mask cavity.

Another common problem with these masks is a broken or ineffective seal. for example, the mask may become dislodged if the wearer rolls over when sleeping, thereby creating a drag force on the gas supply line which is transmitted to the mask and breaking the seal between the mask and wearer. If a mask is used for the administration of Continuous
25 Positive Airway Pressure (CPAP) treatment for the condition obstructive sleep apnea, such a leak can result in a pressure supplied to the entrance of the wearer's airway that is below the therapeutic value. Thus, treatment becomes ineffective.

Another problem with mask assemblies which include a gusset section is visual size, both perceived and actual.

Another problem with existing full face masks occurs when wearers move their jaws during treatment, which often happens. As a result, air leaks are created below the mouth from the mid-region extending to the region at the sides or corners of the mouth.

It would be desirable to design a respiratory mask that can be securely sealed to a
5 wearer's face without causing discomfort and minimize leak.

SUMMARY OF THE INVENTION

One aspect of the invention is directed towards a mask assembly having a cushion that provides more comfort to the patient.

Another aspect of the invention is directed towards a mask assembly having a cushion
10 that controllably distributes facial contact pressure around the patient's face.

Another aspect of the invention is directed towards a mask assembly having a cushion that controllably distributes facial contact forces around a contact line on the patient's face.

Another aspect of the present invention provides a respiratory mask assembly for delivering breathable gas to a patient. The respiratory mask assembly according to one
15 embodiment includes a frame and a cushion. The cushion has a non-face contacting portion structured to be connected to the frame, a face-contacting portion structured to engage the patient's face, and an intermediate portion that interconnects the non-face contacting portion and the face-contacting portion. The intermediate portion includes a gusset portion that applies a first component of force to the patient's face through the face-contacting portion. A spring
20 structure is coupled with the face-contacting portion of the cushion. The spring structure applies a second component of force to the patient's face through the face-contacting portion. The first and second components of force applied by the gusset portion and spring structure, respectively, determine a contact force of the cushion applied to the patient's face through the face-contacting portion.

Another aspect of the invention is directed towards a mask assembly having a curvature
25 which follows the line of the patient's face.

Another aspect of the invention is directed towards a mask assembly having a gusset portion which has minimal impingement of a patient's vision.

Another aspect of the invention is directed towards a mask assembly having a cushion with a gusset portion which has a low profile.

Another aspect of the invention is directed towards a mask assembly having a gusset portion which seals at a low pressure and which is comfortable at high pressures.

5 Another aspect of the invention is directed towards a mask assembly having a cushion with gusset portion which provides stop structures to regulate pressure distribution.

Another aspect of the invention is directed towards a mask assembly having a gusset portion providing additional footprint area and a spring section with a spring constant constructed so that the forces on the face from the cushion are a function of the additional
10 footprint area, the mask pressure and the spring constant of the spring section.

Another aspect of the invention is to provide an elastic cuff to the cushion. The elastic cuff may have a modulus of elasticity which is greater than a modulus of elasticity of the remaining portions of the cushion, such that it may vary more easily deform or stretch in response to localized pressure and/or force changes between the mask and the wearer's face,
15 thereby avoiding a compromise in the seal during movement of the patient. The elastic cuff may be formed in one piece with the cushion, along an intermediate portion of the cushion between the contacting and non-contacting portions of the cushion. The elastic cuff may also be formed separate from the cushion and assembled to the contacting and/or non-contacting portions of the cushion.

20 A further aspect of embodiments of the invention provides a full face mask with a cushion that forms a stable and reliable seal with a wearer's face.

An additional aspect of embodiments of the invention provides a full face mask that effectively seals the region directly below and/or to the sides of the lower lip.

A further aspect of embodiments of the invention provides a full face mask that offers
25 effective sealing at relatively high pressures.

Another aspect of embodiments of the invention provides a full face mask that abuts the more stable bony regions of a wearer's face.

A further aspect of embodiments of the invention provides a full face mask that follows the natural contour of the face's bony structure below the mouth.

In one example, a full face respiratory mask comprises a frame including a breathable gas port and cushion. The frame defines an inner chamber that receives a wearer's nasal region and mouth. The cushion includes a flange connected to the frame, an inner rim defining an opening to the inner chamber of the frame, and a sealing portion disposed between the flange and the inner rim that contacts the wearer's face. The sealing portion includes a nasal seal section that spans a wearer's face above the wearer's nares, side seal sections extending from each side of the nasal seal section on both sides of the wearer's mouth, and a chin seal section that extends between the side sections. The chin seal section is upwardly curved in an arch to follow the chin's bony contour.

In another example, a cushion for use in a full face respiratory mask, comprises a flange for connection to a mask frame, an inner rim defining an opening for surrounding the wearer's nares and mouth, and a sealing portion disposed between the flange and the inner rim that contacts the wearer's face. The sealing portion includes a nasal seal section that spans a wearer's face above the wearer's nares, side seal sections extending from each side of the nasal seal section on both sides of the wearer's mouth, and a chin seal section that extends between the side sections, wherein the chin seal section is upwardly curved in an arch to follow the chin's bony contour.

Principles of these examples may be applied to any type of cushion for use on a respiratory mask, including but not limited to silicone elastomer, gel, foam or any combination thereof.

Principles of these examples may be applied to any type of respiratory mask, including CPAP systems or non-positive ventilation masks, such as respirators.

Other aspects, features and advantages of this invention will become apparent from the following detailed description when taken in conjunction with the accompanying drawings, which are a part of this disclosure and which illustrate, by way of example, principles of this invention.

BRIEF DESCRIPTION OF THE DRAWINGS

The accompanying drawings facilitate an understanding of the various embodiments of this invention. In such drawings:

5 Fig. 1 is a front perspective view illustrating a mask assembly having a cushion constructed in accordance with an embodiment of the invention;

Fig. 1B is a perspective view similar to Fig. 1;

Fig. 1C is a perspective view similar to Fig. 1, but taken from another angle;

Fig. 2 is a rear perspective view of the mask assembly shown in Fig. 1;

Fig. 2B is a perspective view similar to Fig. 2;

10 Fig. 3 is a rear view of the mask assembly shown in Fig. 1;

Fig. 3B is a perspective view similar to Fig. 3;

Fig. 4 is a side view of the mask assembly shown in Fig. 1;

Fig. 4B is a perspective view similar to Fig. 4;

Fig. 5 is a bottom view of the mask assembly shown in Fig. 1;

15 Fig. 5B is a top view of the mask assembly shown in Fig. 1;

Fig. 6 is a cross-sectional view of the cushion shown in Fig. 1;

Fig. 6B is a cross-sectional view of the cushion shown in Fig. 1 in accordance with an alternative embodiment of the invention;

Fig. 6C is a perspective view similar to Fig. 6;

20 Fig. 7 is a side view of the cushion shown in Fig. 1;

Fig. 7B is a perspective view similar to Fig. 7;

Fig. 8 is a perspective view of the cushion shown in Fig. 1;

Fig. 8B is a perspective view similar to Fig. 8;

Fig. 9 is a bottom view of the cushion shown in Fig. 1;

Fig. 9B is a perspective view similar to Fig. 9;

Fig. 10 is a front view of a gusset portion of the cushion shown in Fig. 1 superimposed on a patient's face;

5 Fig. 10B is a front view of a gusset portion of the cushion shown in Fig. 1 superimposed on a patient's face, the contact line of the membrane on the patient's face shown in dashed lines;

Fig. 11 is a front view of a gusset portion of the cushion shown in Fig. 1;

Fig. 11B is a perspective view similar to Fig. 11;

10 Fig. 12 is a front view illustrating different embodiments of a gusset portion of the cushion shown in Fig. 1;

Fig. 12B is a front view similar to Fig. 12 illustrating different embodiments of a gusset portion of the cushion shown in Fig. 1;

15 Fig. 12C is a front view similar to Fig. 12 illustrating a different embodiment of a gusset portion of the cushion shown in Fig. 1;

Figs. 13A-13C are cross-sectional views illustrating different embodiments of a spring structure within a gusset portion of the cushion shown in Fig. 1;

Fig. 14 is a partial top view illustrating an embodiment of the cushion shown in Fig. 1;

Fig. 15 is a cross-section taken along line 15-15 of Fig. 14;

20 Fig. 16 is a cross-section taken along line 16-16 of Fig. 14;

Fig. 17 is a cross-section taken along line 17-17 of Fig. 14;

Fig. 18 is a cross-section taken along line 18-18 of Fig. 14;

Fig. 19 is a cross-section taken along line 19-19 of Fig. 14;

Fig. 20 is a cross-section taken along line 20-20 of Fig. 14;

Fig. 21 is a cross-section taken along line 21-21 of Fig. 14;

Fig. 22 is a cross-section taken along line 22-22 of Fig. 14;

Fig. 23 is a partial top view illustrating an embodiment of the cushion shown in Fig. 1;

Fig. 24 is a cross-section taken along line 24-24 of Fig. 23;

5 Fig. 25 is a cross-section taken along line 25-25 of Fig. 23;

Fig. 26 is a cross-section taken along line 26-26 of Fig. 23;

Fig. 27 is a cross-section taken along line 27-27 of Fig. 23;

Fig. 28 is a cross-section taken along line 28-28 of Fig. 23;

Fig. 29 is a cross-section taken along line 29-29 of Fig. 23;

10 Fig. 30 is a cross-section taken along line 30-30 of Fig. 23;

Fig. 31 is a cross-section taken along line 31-31 of Fig. 23;

Fig. 32 is a cross-section taken along line 32-32 of Fig. 23;

Fig. 33 is a cross-section taken along line 33-33 of Fig. 23;

Fig. 34 is a front perspective view of an embodiment of the cushion shown in Fig. 1;

15 Fig. 35 is a rear perspective view of the cushion shown in Fig. 34;

Fig. 36 is a top view of the cushion shown in Fig. 34;

Fig. 37 is a side view of the cushion shown in Fig. 34;

Fig. 38 is a cross-section taken along line 38-38 of Fig. 36;

Fig. 39 is a cross-section taken along line 39-39 of Fig. 36;

20 Fig. 40 is a cross-section taken along line 40-40 of Fig. 36;

Fig. 41 is a cross-section taken along line 41-41 of Fig. 40;

Fig. 42 is an enlarged cross-sectional view of Fig. 38;

Fig. 43 is a graph that illustrates the relation between mask pressure and contact force on the patient's face for a mask with at least a gusset portion wherein the gusset portion is held at a fixed extension;

5 Fig. 44 is a graph that illustrates the effect a spring structure has on the total force applied to the patient's face at a constant mask pressure;

Fig. 45 is a cross-sectional view of another embodiment of the invention including an elastic nasal cuff.

Fig. 46 is a force versus displacement graph for ResMed's Aactiva™ mask;

10 Fig. 47 is a force versus displacement graph for a prior art mask;

Fig. 47A is a cross-sectional view of a mask according to the prior art;

Fig. 48 is a force versus displacement graph for an embodiment of the present invention;

15 Fig. 49 is a cross-sectional view of yet another nasal cuff embodiment of the present invention;

Fig. 50 is a front perspective view of a full face mask positioned on a wearer in accordance with a preferred embodiment of the invention;

Fig. 51 is a front perspective view of the mask frame and cushion in accordance with a preferred embodiment of the invention;

20 Fig. 52 is a rear perspective view of the cushion in accordance with a preferred embodiment of the invention;

Fig. 53 is a front view of the cushion of Fig. 52;

Fig. 54 is a rear view (from the wearer's side) of the cushion of Fig. 52;

Fig. 55 is a bottom view of the cushion of Fig. 52; and

Fig. 56 is a cross section side perspective view of the cushion taken along line 56-56 of Fig. 54.

DETAILED DESCRIPTION OF ILLUSTRATED EMBODIMENTS

5 Figs. 1-5B show a respiratory mask assembly 10 that includes a frame 12 and a cushion
14 that may be permanently or removably connected to the frame 12. A forehead support 16 is
movably mounted to an upper portion of the frame 12. A headgear assembly (not shown) can
be removably attached to the frame 12 to maintain the frame 12 and cushion 14 in a desired
adjusted position on the patient's face. For example, the headgear assembly may include a pair
10 of upper and lower straps with the upper straps removably connected to clip structures 18
provided on the forehead support 16 and the lower straps removably connected to clip
structures 20 provided on the frame 12. However, the headgear assembly and frame 12 may be
removably attached to one another in any suitable manner.

In the illustrated embodiment, the mask assembly 10 is a nasal mask structured to
deliver breathable gas to a patient's nose. However, the mask assembly 10 may be nasal and
15 mouth mask or the mask assembly may be a full-face mask.

A swivel elbow assembly 22 is removably attached to a front portion of the frame 12.
The elbow assembly 22 is structured to be connected to a conduit that is connected to a
pressurized supply. The pressurized supply supplies pressurized breathable gas through the
conduit and elbow assembly 22 and into the cushion 14 for breathing by the patient.

20 As shown in Figs. 1-9B, the cushion 14 includes a non-face-contacting portion 24
(Figs. 6 and 6C) structured to be connected to the frame 12, a face-contacting portion 26
structured to engage a patient's face, and an intermediate portion 28 that interconnects the non-
face contacting portion 24 and the face-contacting portion 26. A seal-forming portion 68 (see
Fig. 10B) of the cushion 14 is designed to seal on the patient's face. The cushion 14 achieves a
25 seal by applying a contact force along the seal-forming portion 68 as will be described in
further detail below. In one form, the seal-forming portion 68 is a strip with an area. For
example, the strip 68 that contacts the patient's face could be that area between the dashed sets
of lines in Fig. 10B. The contact force applied to sensitive regions on the patient's face can be
minimized. Some portions of the patient's face require special attention to achieve a balance
30 of comfort and seal.

In the illustrated embodiment, the non-face-contacting portion 24 of the cushion 14 is removably attached to the frame 12. For example, as shown in Figs. 3, 3B, 6, 6C, and 15, the non-face-contacting portion 24 includes a shoulder 30 and a flange 32. A cushion clip 34 (see Figs. 2, 2B, 3, and 3B) is detachably engaged with the frame 12 such that the shoulder 30 is positioned between the clip 34 and the frame 12 to attach the cushion 14 to the frame 12, e.g., see co-owned and co-pending U.S. Patent Application No. 10/235,846, filed on September 6, 2002, incorporated herein by reference in its entirety. Further, the flange 32 is positioned to provide a seal. Alternatively, the non-face-contacting portion 24 of the cushion 14 may be removably attached to the frame 12 with straps, a friction or interference fit, and/or a tongue-and-groove arrangement, as is known in the art. However, the non-face-contacting portion 24 of the cushion 14 may be permanently attached to the frame 12 with glue and/or mechanical fastening means, for example.

As shown in Figs. 6, 6C, and 14-33, a preferred face-contacting portion 26 of the cushion 14 includes a side wall 36, a rim 38 extending away from the side wall 36, and a membrane 40 provided to substantially surround the rim 38, e.g., see U.S. Patent No. 6,112,746 of Kwok et al. and U.S. Provisional Application No. 60/402,509, filed on August 12, 2002, incorporated herein by reference in its entirety. The rim 38 and side wall 36 provide a support structure for the face-contacting portion 26 and the membrane 40 provides a sealing structure for the face-contacting portion 26.

The membrane 40 provides a large effective rolled over section (large radius) to allow some degree of movement or rotation of the mask assembly 10 relative to the patient's face, and prevents the membrane distal edge from irritating the patient's face. Further, the membrane 40 extends further than the edge of the rim 38 to prevent the rim 38 from being a source of irritation.

The rim 38 has a curved shape that curves inwardly into the nasal cavity of the cushion 14. While it is preferable that the membrane 40 be thinner than the rim 38, they could have the same thicknesses.

The inside surface of the membrane 40 is spaced from the outside surface of the rim 38 so as to form a compliant seal with the patient. By compliant seal, it is meant that the membrane 40 can accommodate small variations in the shape of a patient's facial/nasal features without undue force, and can account for small movement of the mask relative to the

patient during use, while maintaining an effective seal. The spacing between the rim 38 and membrane 40 may vary in different regions of the patient's face.

As shown in Figs. 2, 2B, and 10-11B, the face-contacting portion 26 of the cushion 14 preferably has a generally triangular shape and is structured to contact the nasal bridge, cheek, and lip regions of the patient. However, the face-contacting portion 26 may have any other suitable shape, e.g., a generally trapezoidal shape. In the illustrated embodiment, the cushion 14 includes a pair of cheek regions 44 to provide a seal in the crease between the cheeks and the sides of the nose, a lip region 46 to provide a seal below the nose and above the upper lip of the patient, and a nasal bridge region 42. The nasal bridge region 42 spans across the bridge and sloping sides of the bridge that intersect with the nasal crease formed between the cheeks and the sides of the nose. The transition between the lip region 46 and each cheek region 44 is where the cushion 14 begins to turn around the bottom of the nose towards the side of the nose. The transition between the nasal bridge region 42 and each cheek region 44 is where each cheek region 44 diverges upwardly towards the bridge of the nose. In other words, the nasal bridge region 42 starts where the cheek region 44 begins to angle upwardly. As shown in Fig. 40, the membrane 40 may include a preformed, contoured notch 48 in the nasal bridge region 42 to match generally the typical contours of the nasal bridge region of the patient.

The cushion 14, including the gusset portion 50, is curved to generally follow the curvature of the face. See Figs. 4-5B and 7-9B. The advantages of the above structure include a reduced height profile, increased stability, better fit to the patient's face and a reduced visual impact. Other advantages include a reduced height at sides of the frame 12 and headgear clip section which might otherwise protrude from the mask frame, decreased weight and volume of silicone, decreased deadspace and stiffened gusset portion which holds its shape better.

In the illustrated embodiment, the membrane 40 is structured to contact an upper portion of the nasal bridge region of the patient. However, the membrane 40 may contact a lower portion of the nasal bridge region. For example, see U.S. Provisional Application No. 60/402,509, filed on August 12, 2002, the contents of which are hereby incorporated by reference.

In the illustrated embodiment, the face-contacting portion 26 of the cushion 14 has a double-walled construction, e.g., one membrane 40 and one rim 38. However, the cushion 14 may have a single walled, triple walled or more walled construction. For example, a cushion

with a combined membrane and rim could be provided, e.g., a single walled construction. Conversely, the support function of the rim could be accomplished with two or more support rims to support a single membrane, or two or more membranes could be provided over a single rim. In another alternative, the support function of the rim and the sealing function of the
5 membrane could be split into two different members, which may be made of different materials, for example either being made of a foam. In another embodiment, a gel membrane may be used.

The intermediate portion 28 of the cushion 14 includes a gusset portion 50 that extends radially outwardly with respect to the non-face-contacting and face-contacting portions 24, 26.
10 The gusset portion 50 allows the face-contacting portion 26 to move relative thereto. Furthermore, the gusset portion 50 has a larger footprint area than the face-contacting portion 26 (e.g., Fig. 10 shows the gusset portion 50 superimposed on a patient's face to illustrate the additional area provided by the gusset portion 50). The additional footprint area of the gusset portion 50 provides a contact force on the patient's face acting on the sealing strip 68 (Fig.
15 10B) through the membrane 40, which increases the sealing efficiency of the cushion 14, as will be further discussed.

As shown in Figs. 6, 6C, and 15, the gusset portion 50 extends outwardly from the side wall 36 of the face-contacting portion 26 and curves back inwardly into the flange 32 of the non-face-contacting portion 24. Specifically, the gusset portion 50 includes a first side wall 52
20 extending outwardly from the side wall 36 of the face-contacting portion 26, a second side wall 54 extending outwardly from the flange 32 of the non-face-contacting portion 24, and an arcuate wall 56 that interconnects the first and second side walls 52, 54. The walls 52, 54, and 56 of the gusset portion 50 defines a space 57 therebetween. Thus, the gusset portion 50 is curved as viewed from above to follow the contour of the patient's face. As shown in Fig. 39,
25 for example, the gusset portion has a radius of curvature in the range of 80-120 mm, preferably in the range of 95-105 mm.

The gusset portion 50 has an inner edge 58 and an outer edge 60. The inner edge 58 corresponds to an outer edge of the side wall 36 and the outer edge 60 corresponds to an apex of the arcuate wall 56 of the gusset portion 50. A perpendicular distance d is defined between
30 the inner and outer edges 58, 60, as shown in Figs. 6 and 10. The distance d may be varied to vary the pressure applied by the cushion 14 on the patient's face. The distance d_2 is defined as

shown in Fig. 10B to be the perpendicular distance between the outer edge 60 and a cushion contact line 61 on the face. The contact line 61 is the outer perimeter of the seal-forming portion 68, that is, the sealing strip of the cushion 14. The additional area between the contact line 61 and the outer edge 60 leads to an additional force on the membrane 40. The contact
5 force on the patient's face is proportional to the pressure in the mask cavity and the footprint area of the gusset portion 50. Thus, the additional area of the gusset portion 50 may be varied, e.g., by varying the distance d , to vary the contact force applied to the patient's face.

An aspect of the invention is that the contact force is controllably distributed around the patient's face. The pressures and forces should be distributed while maintaining the cushion's
10 seal. It is desirable to avoid localized pressure points along sensitive regions of the patient's face. For example, localized points of contact force should be avoided in the nasal bridge region to increase comfort to the patient.

Another aspect of the invention is that not only can the contact force be redistributed while maintaining the cushion seal, but also the patient's field of view can be optimized by
15 reshaping the gusset area around the eyes. For example, as shown in Fig. 12C, the gusset portion 50 has cutaway portions 51 around the eyes to improve the patient's field of view.

Since the contact force applied to the patient's face is proportional to the footprint area of the gusset portion 50, it is possible to vary the force applied to different regions of the patient's face by varying the distance d in different regions of the gusset portion 50. For
20 example, Fig. 12 shows a gusset portion 50 with two possible outer edges. A first outer edge 60, shown in a solid line, has an approximately constant distance d between the inner and outer edges 58, 60. In contrast, the second outer edge 260, shown in dashed lines, has a smaller distance d' in the lip and nasal bridge regions in comparison to the cheek regions.

The gusset portion 50 can be provided in only selected regions of the face, and not
25 others. It need not be provided along the entire perimeter of the cushion. For example, the gusset portion 50 could be provided along only the lip portion.

Thus, the gusset portion 50 with the outer edge 260 in dashed lines has a smaller contact force applied to the nasal bridge and lip regions of the patient's face than the gusset
portion 50 with the outer edge 60 in a solid line. In this way, the contact force applied to the
30 patient's face can be redistributed away from more sensitive areas of the patient's face, e.g.,

nasal bridge and lip region, and applied to less sensitive areas of the patient's face, e.g., cheek regions. Since the nasal bridge region of the patient's face is particularly sensitive, a gusset portion 50 with a reduced area in the nasal bridge region 42 should be more comfortable for the patient. However, the distance d can be tailored for any region of the gusset portion 50 to tailor the force applied to any region of the patient's face for maximum comfort. This can be done on a customized basis to get both an ideal force and a customized area around the cushion.

Fig. 12B shows another embodiment of a gusset portion 50 with two possible outer edges. A first outer edge 60, shown in a solid line, has a smaller distance between the outer edge 260 and an inner edge (not shown) in the lip and nasal bridge regions in comparison to the cheek regions. In contrast, the second outer edge 260, shown in dashed lines, has an approximately constant distance between the outer edge 60 and an inner edge.

The contact force applied to the contact line on the patient's face can be further tailored by adjusting a thickness of the arcuate wall 56 of the gusset portion, as shown in Figs. 6, 6C, and 13A-C. The arcuate wall 56 acts as a spring structure to provide a component of the contact force on the patient's face through the membrane 40. The arcuate wall 56' may have a uniform wall thickness or a thin cross-section as shown in Fig. 13A or the arcuate wall 56'' may have a thicker cross-section as shown in Fig. 13B, with the thinner arcuate wall 56' providing a smaller component of force than the thicker arcuate wall 56''. The cross-section of the arcuate wall 56, 56', 56'', 56''' may vary around the perimeter of the gusset portion 50. For example, a gusset portion may have a thin walled arcuate wall in the patient's nasal bridge region, but a thicker walled arcuate wall in the patient's cheek region. Moreover, the arcuate wall may be varied in conjunction with the varying distance d , for example, by reducing the distance d but increasing the thickness of the arcuate wall.

Alternatively, the whole gusset portion 50 may be tapered, not just the arcuate wall.

The contact force applied to the contact line on the patient's face can be further tailored by providing internal stop structures 59 as shown in Fig. 13C at the gusset portion 50. The size, shape and geometry of these stop structures 59 can be arranged to vary stiffness in different sections of the gusset portion 50. For example, less stiff sections at nasal bridge region, stiffer sections at cheek region, to provide the required comfort and seal level.

In another form, the contact force applied to the contact line on the patient's face can be tailored by inserting a spring (e.g. a steel spring) in the gusset portion 50. The spring has a spring constant that is designed to allow adjustment of the component of force applied by the spring.

5 In these ways, the contact force on the contact line of the face is not solely a function of mask pressure, but can also, for example, be a function of the spring element within the gusset portion 50. This improves low pressure stability, reduces the sealing force at high pressure, and reduces the visual impact a large gusset portion might otherwise have.

10 In the illustrated embodiment, the gusset portion 50 as well as the non-face-contacting and face-contacting portions 24, 26 of the cushion 14 have a generally triangular shape. However, the gusset portion 50 and non-face-contacting and face-contacting portions 24, 26 of the cushion 14 may have any suitable shape, e.g., non-triangular shape. Further, the shape of the gusset portion 50 and non-face-contacting and face-contacting portions 24, 26 may be similar to one another or may be different from one another, e.g., the gusset portion has a
15 triangular shape and the face-contacting and non-face-contacting portions have a generally trapezoidal shape.

The cushion 14 is constructed from a soft, flexible skin-compatible material such as silicone. The cushion 14 may be formed, for example, in a one shot injection molding process as is known in the art. However, the cushion 14 may be formed with any suitable material and
20 may be formed by any suitable process. For example, while face contacting portion 26 of cushion 14 may have a softer grade material, the gusset portion may have a harder grade material to provide stiffness as a spring element. The non-face contacting portion 24 may have a stiffer grade material so a direct assembly to frame without a cushion clip may be possible.

The cushion 14 provides improved seal stability and comfort over prior art cushions.
25 Specifically, the curvature of the cushion 14 improves stability of the mask assembly generally and the gusset portion improves stability of seal. Changing the distances d and d_2 of the gusset portion in different regions of the patient's face improves patient comfort level.

Figs. 14-33 show various cross-sections of the cushion 14. The various cross-sections illustrate the various distances between the rim and the membrane in different regions of the

patient's face. Moreover, the various cross-sections illustrate the various structural configurations and distances d of the gusset portion 50 in different regions of the patient's face.

Figs. 34-42 shows further structural details and various dimensions in one embodiment of the cushion 14. For example, the cushion 14 has a length in the range of 42-62 mm, preferably 52 mm, a height in the range of 90-110, preferably 100.5 mm, and a width in the
5 range of 95-115 mm, preferably 103.2 mm. In an embodiment of the cushion 14, the dimensions illustrated in Figs. 34-42 may vary ± 62 or 100%.

Fig. 6B shows an alternative embodiment of the invention which includes a reinforcing ring 64 between the gusset portion 50 and face-contacting portion 26 of the cushion 14. In one
10 form, the ring 64 is constructed from a thickened bead of silicone and is molded with the cushion 14. The ring 64 acts as a stiffening hoop reducing the tendency of the cushion 14 to expand at that point when under pressure. In another form, the ring 64 is made from polycarbonate and is overmolded or push-fit.

The face-contacting portion 26 of the cushion 14 has a surface which may be described
15 by a function of at least one parameter, p , varying from 0 to 360 degrees representing angular position. With respect to the nose, the 0 degree position may be defined to be mid-nasal bridge and the nasal septum will occur at 180 degrees. Figures 15-22 and 24-33 depict a range of cross-sections cut at different angular positions, and hence different values of the parameter, p .

An advantage of the mask assembly 10 is that the contact force acting through the
20 contact strip can be tailored to provide an acceptable seal at low mask pressures while not being too high at high mask pressures. For example, in a mask assembly having a gusset portion with no spring structure, the contact force might be too low at low mask pressures to provide a seal, forcing designers to increase the gusset area. This additional gusset area in turn would lead to an excessively high contact force at high mask pressures. The combination of a
25 spring structure with a gusset portion means that at low mask pressures, the contact force may be provided by the spring structure, with the gusset portion making little additional contribution. At high mask pressures, the contact force provided by the gusset portion may be much greater than that provided by the spring structure. Thus, the mask assembly 10 provides a means to tailor the contact forces of a mask system over a range of pressures.

In another form of the invention, the extensibility of the headgear is changeable. For example, relatively inextensible headgear might be used for low mask pressures, while more extensible headgear may be used for high mask pressures, such as around 20 cm H₂O. In one form, this is achieved by having duplicate straps within the headgear, one extensible, the other, relatively inextensible. At low pressures, both straps are used, the net effect being that the headgear is relatively inextensible. At high pressures, the inextensible strap is disengaged, with the result that the headgear is relatively extensible overall.

Fig. 43 illustrates the contact force on the patient's face for a mask with at least a gusset portion wherein the gusset portion is held at a fixed extension, e.g., expansion. The x-axis is the pressure inside the mask. The y-axis is the contact force on the patient's face. A zone of comfort and seal Z is defined by: (a) a range of typical operating pressures from 4 to 20cm H₂O; (b) a minimum contact force that is required to maintain a seal on a patient's face, the minimum contact force defined as an increasing function of the pressure inside the mask; and (c) a maximum comfortable contact force.

In accordance with an embodiment of the invention, the cushion is designed to include a gusset portion and spring structure such that the contact force applied by the cushion is maintained within the zone of comfort and seal Z.

Fig. 43 shows three lines for three hypothetical cushions with at least a gusset portion. In general, at a first approximation, contact force increases linearly with mask pressure as the result of the additional footprint area provided by the gusset portion.

A first line L1 represents a cushion with a gusset portion which has an additional footprint area of A1 and which does not include a spring structure. As illustrated, the contact force is below the minimum contact force required to make a seal for mask pressures below about 7cm H₂O. Thus, the cushion represented by line L1 falls outside the zone of comfort and seal Z. For higher pressures (e.g., mask pressures above about 7 cm H₂O), the contact force from the gusset portion is sufficient to maintain a seal.

A second line L2 represents a cushion according to one embodiment of the invention with a gusset portion which has an additional footprint area of A1 and includes a spring structure. The effect of the spring structure is to provide an additional contact force at low mask pressures when the effect of the gusset portion is insufficient to provide the minimum

sealing force. As a result, the cushion maintains a seal through the range of operating pressures. Moreover, the cushion represented by line L2 falls within the zone of comfort and seal Z throughout the range of operating pressures.

5 A third line L3 represents a cushion with a gusset portion which has an additional footprint area of $2 \times A1$ and does not include a spring structure. The extra footprint area (twice that of the cushions represented by L1 and L2) results in the contact force of the cushion being sufficient to maintain a seal at a low mask pressure of $4\text{cm H}_2\text{O}$. However, for mask pressures above about $10\text{cm H}_2\text{O}$, the contact force exceeds the maximum comfortable contact force. Thus, the cushion represented by line L3 falls outside the zone of comfort and seal Z.

10 Thus, by combining a gusset portion with a spring structure in a cushion, a designer can tailor the contact force of the cushion such that it falls within the zone of comfort and seal Z throughout the working range of pressure. The same principles may be applied for different pressure ranges.

15 Further, the size of the zone Z may change (e.g., by changing the maximum comfortable contact force) depending on a particular region of the patient's face. For example, the maximum comfortable contact force may be reduced for a nasal bridge region of the face. As a result, the cushion can be tailored for that particular region such that it falls within the zone of comfort and seal Z throughout the range of operating pressures.

20 Fig. 44 illustrates the effect a spring structure has on the total force applied to the patient's face at a constant mask pressure. F_{mask} is the total force of the mask on a patient's face, as defined in WO 01/97893 (Frater et al.). The inclusion of the gusset portion on the mask allows the two sides of the cushion to travel relative to one another. When the extension or expansion of the gusset portion is 0mm , the two sides of the cushion abut one another. When the extension of the gusset portion is 50mm , the two sides of the cushion are 50mm apart. The closer the two sides of the cushion are brought towards one another, the higher the value of F_{mask} .

25 Fig. 44 shows four lines that represent four different cushions. A first line L1 is for a cushion with a gusset portion with no spring structure and with an additional footprint area of $A1$. A second line L2 is for a cushion according to one embodiment of the present invention with a gusset portion, a spring structure, and an additional footprint area of 62% of $A1$. A third

30

line L3 is for a cushion with a gusset portion without a spring structure and with an additional footprint area of 85% of A1. A fourth line L4 is for a cushion with a gusset portion without a spring structure and with an additional footprint area of 62% of A1.

As illustrated, the addition of a spring structure to a cushion having a gusset portion increases F_{mask} generally throughout the range of gusset extensions. As a result, a cushion may be constructed with a gusset portion having a smaller footprint area than would otherwise be required to provide sufficient F_{mask} to maintain a seal.

Further, the effect of the spring on F_{mask} can be determined for various mask pressures so that the cushion can be tailored for particular regions of the patient's face.

ELASTIC CUFF

Figures 45-49 show an alternative embodiment of the present invention which may be used in conjunction with earlier or later described embodiments. As shown in Figure 45, a mask assembly 100 includes a mask frame 112, a cushion 114 and a strap 116, all of which can be assembled in a fashion which is similar to that described above in relation to other embodiments.

The frame includes an inlet 122 which is in communication with the source of pressurized air or breathable gas. Preferably, the inlet is connected to a swivel elbow which in turn is connected to an air delivery tube.

The cushion 114 includes a non-contacting portion 124 which is provided to the mask frame 112, as described above. The cushion 114 further includes a face contacting portion 126 and an intermediate portion 128 which is between the non-contacting portion and the face contacting portion 126. The face contacting portion 126 includes a face-contacting seal portion 168 including a membrane 140 and a rim 138, as described above.

The intermediate portion 128 may be provided with at least one cuff 170 that may be resiliently inflatable. The cuff 170 includes walls that can stretch as opposed to being simply flexible. As the straps 116 are tightened, membrane 140 and rim 138 are pushed onto the face. This action causes a force to be applied to the membrane 140, the rim 138 and the face-contacting portion 126, displacing the face contacting portion 126 in the direction of the non-contacting portion 124. The displacement of the face contacting portion 126 and its associated

force causes the cuff 170 to balloon outwards. The force is dependent on the degree of strap tightening and the stiffness (force-displacement relationship) of the cuff 170. Initial inflation of the cuff 170 can be achieved via a valve 175. The valve 175 can be in communication with the same source which provides pressurized air to the breathing chamber 171 of the mask assembly 100, or the source can be a separate pressurized source independent of the source for providing pressurized breathable gas to the breathing chamber 171. The elastic cuff 170 can be formed in a single piece with the cushion 114. Alternatively, the elastic cuff 170 may be formed separately from the cushion 114, and later attached, e.g., using adhesives, mechanical fasteners, or the like, etc.

Current mask systems use inflatable cuffs that are relatively stiff being made from materials having a relatively high modulus of elasticity. By contrast the cuffs 170 of the present embodiment are designed to have a relatively low stiffness. This is achieved, e.g., by providing the cuffs 170 with walls that stretch under relatively low forces. Walls with this characteristic typically are made from a material with a relatively low modulus of elasticity.

For example, the modulus of elasticity of the material of the elastic cuff material, as determined by bench testing, is in the range of 0.15 MPa to 0.6 MPa. The preferred value for the modulus of elasticity is in the range of 0.25 MPa to 0.45 MPa. In one example, the modulus of elasticity is about 0.35 MPa. In comparison, the gusset portion described above may have a modulus of elasticity of 0.40 MPa to 0.80 MPa, and preferably the modulus of elasticity is about 0.60 MPa. The modulus of elasticity for both the gusset and the elastic cuff 170 can be more or less than that stated above or modified to give the appropriate stretch characteristics in conjunction with the delivered mask pressure and headgear tension/strap displacement.

In the embodiments described above, for example in relation to Figure 1, a mask system and cushion provided with a gusset produces a number of positive attributes, for example, the ability to maintain cushion seal with relative frame instability, less fine adjustment required of head gear straps to apply a cushion force towards the face to maintain a seal. A cushion provided with the elastic cuff 170 of Figure 45 also exhibits similar results to the above embodiments. However, the elastic cuff forces are independent of the supply air from the flow generator.

Prior art masks use inflatable (verses elastic) cuffs or pneumatic seals and/or seal rings. These inflatable cuffs are typically made from PVC that has a relatively high modulus of elasticity causing them to be relatively stiff. Bench testing of this PVC material found that the modulus of elasticity was of the order of 5.2 MPa. Although they may include some flexibility, it is not resiliently expandable like the elastic cuff 170 shown in Figure 45. Examples of inflatable cuffs with a relatively high modulus of elasticity include U.S. Patent No. 4,971,051 to Toffolon and anesthesia masks available from King Systems.

Figures 46-48, respectively, are force-displacement (stiffness) graphs for 1) the embodiment shown above with a gusset (ResMed's Activa™ mask); 2) the Prior Art; and 3) the elastic cuff shown in Figure 45. It should be noted that the horizontal axis in these graphs labeled 'd' represents the dimension shown as 'd' in Figure 45 (described above) and Figure 47A which shows a prior art mask frame 300 with straps 310 and an inflatable cuff 320. As shown in Figure 46, the flattened region according to the Activa™ mask gives a mask system with greater tolerance to strap tension or mask instability while maintaining relatively constant force of cushion seal to face. See the line between points X-X in Figure 46.

In contrast, the graph of Figure 47 shows that the prior art inflatable cuff being made of a material with a relatively higher modulus of elasticity has a more linear force-displacement characteristic and is stiffer. Therefore slight changes in the mask or cushion relative to the face that result in small changes to the dimension 'd' will cause relatively large changes in the sealing force applied to the face. Therefore, this prior art mask system cannot maintain a good seal over increased displacement (due to instability). Strap tension is critical to maintain the tolerable level of comfort.

Therefore, one aspect of this embodiment is to produce an elastic cuff from a material with a relatively low modulus of elasticity, like that of a stretchy balloon. The elastic cuff material has the ability to stretch under standard strap tension experienced in this application.

When the mask is not fitted, the inflatable cuff is not necessarily under pressure. When fitted correctly, the cuff is compressed as the straps are tightened. Given the low modulus of elasticity of the elastic cuff material, the cuff is designed to stretch, billow, bloat and/or swell as the cuff elongates as shown in phantom in Figure 45.

The force applied to the cushion seal could be fine tuned by modifying the stiffness of the cuff walls, e.g., increasing or decreasing the modulus of elasticity, or by pre-pressurizing the elastic cuff 170 via a valve that, in this example, would increase cushion seal forces when the cushion is displaced and/or fitted into position and the straps tensioned.

5 As shown in Figure 48, the elastic cuff 170 is made from a material with a lower modulus of elasticity that produces a similar flattened line to that shown in Figure 46. However, this graph is slightly angled as compared to Figure 46, but it is flatter than that shown in Figure 47. The ideal is to have the angle flat in the middle such as shown in Figures 46 and 48.

10 A stiffer cuff made from a material with a higher modulus of elasticity would produce a greater rate of fall as compared to that shown in Figure 48. For prior art inflatable cuffs, the relatively very high stiffness results in a very large change in cushion seal force for very slight displacements that may lead to a loss of the seal of the face. Events that may lead to slight displacement include, for example, nocturnal movements that result in changes to strap
15 tightness, human face fluid reduction, relaxation of the lower jaw, etc.

In a further embodiment, the elastic cuff 170 may be filled with any compressible or non-compressible fluid, or some combination thereof. The fluid could be, for example, air, flowable liquid, flowable or semi-flowable gel. In the case of air, the cuff walls in tension cause the air inside the cuff to compress and forces the cushion seal outwards towards the face;
20 there is some compression of the air as it is a gas. In the case of liquid filled, all the force onto the cushion seal is acted on by the cuff wall tension alone without the influence of compressed gas also.

Change in behavior of the cushion is achieved by any of or combination of modulus of elasticity, geometry/shape of the elastic cuff, material choice (for example the modulus of
25 elasticity), and the initial mass of fluid (before fitting).

The initial mass of fluid may be adjusted by a valve either manually or automatically (incorporating external-internal control relative to cuff pressure and/or treatment CPAP pressure). In Figure 45, it can be seen that the elastic cuff is separate from the cushion assembly, i.e. that portion of the cushion which seals against the face. It therefore provides

minimal possible displacement, and only describes a flexible pneumatic seal, not elastic or resilient.

In Figure 45, the expandable/contractible elastic cuff 170 is incorporated into the cushion seal.

5 In another embodiment, the elastic cuff may be pressurized with a manual pump 180 to fine tune the initial mass of fluid in the elastic cuff 170. See, for example, Figure 49.

Another embodiment may incorporate automatic cuff mass of fluid change that can synchronize to delivered treatment pressure and/or react to leak or discomfort sensing.

10 Any elastic material that can be formed into a chamber or the elastic cuff 170 may be used. The use of a latex balloon is one material that may be used. Also, low durometer and/or low modulus of elasticity characteristic silicone rubbers may also be used, or a combination thereof. The cuff may have rigid or semi-rigid detail to provide structural integrity.

The cuff 170 need not surround the entire perimeter. For example, it may be excluded around the nasal bridge to modify received cushion seal forces. The elastic cuff 170 as
15 disclosed herein may also be incorporated or used in conjunction with prior art mask systems, to create a new and improved product. For example, Respironics makes a "Profile Lite" gel cushion that could incorporate the elastic cuff 170 either integrated or otherwise attached between the frame and sealing interface. The elastic cuff may be filled with a compressible or non-compressible fluid such as air or gel, or any combination thereof.

20 In another example, the elastic cuff 170 may be combined with aspects of U.S. Patent No. 4,971,051 to Toffolon. The elastic cuff could be incorporated as part of the cushion assembly to provide a force action in the cushion seal and also independent movement/displacement of the cushion seal relative to the mask frame.

25 While a nasal mask has been described in the preferred embodiments, the principles of the invention can be applied to full-face masks or mouth masks. Furthermore, the principles of the invention can be applied to nasal masks having a very small sealing region sealing near the nares.

"BOOMERANG" SEAL

Figs. 50-56 illustrate another embodiment of the invention which may be usable with earlier embodiments. Fig. 50 is a perspective view of the full face respiratory mask 10 secured to a wearer's head. The mask 10 includes a frame 12 that supports a cushion 14. The mask 10 is secured over the wearer's nasal area and mouth by head gear that includes fastening straps 16 that may be adjusted around the wearer's head.

The frame 12 is preferably saddle shaped, generally triangular or trapezoidal to fit over the wearer's nose, or at least over the wearer's nares, and extends downwardly on each side of the mouth to the chin. The frame 12 has a port 18 for connection to a breathable gas supply 20 through a swivel elbow assembly 22. The gas supply 20 may be a pressurized gas supply that supplies breathable gas to an inner chamber in the mask 10 that receives the wearer's nose and mouth.

The frame 12 also preferably includes a vent opening 24 through which expired gas is exhausted. Fasteners 26 are provided to secure the straps 16 of the head gear and allow selective adjustment of the head gear. In this case, the fasteners 26 are slots formed in the frame 12 through which the straps 16 are fed. Of course, any suitable fastener can be used. If desired, a forehead support may also be used, which would extend from the frame upward toward the forehead.

The frame 12 is shown alone with the cushion 14 in Fig. 51. As can be appreciated by those of ordinary skill in the art of respiratory masks, the cushion 14 may be secured to a flange 28 on the frame 12 by a variety of methods. The cushion 14 may be formed integral with the flange 28, it may be adhered to the flange 28, or it may be removably clipped thereto. Other methods of attachment could also be used including straps, friction or interference fit, or tongue and groove.

In Fig. 52, the cushion 14 is removed from the frame 12 and flipped over with respect to the view in Fig. 51 to show the face contacting portions of the cushion 14. The cushion 14 includes a flange 30 that connects to the mask 12, an inner rim 32 that defines an opening 34 to the inner chamber of the frame 12, and a sealing portion 36 disposed between the flange 30 and the inner rim 32.

Preferably, the cushion 14 is formed of a soft, flexible skin compatible material such as silicone. One suitable material is SILASTIC™, a silicone elastomer manufactured by Dow Corning. It may be molded, by a one shot injection process as known in the art, for example. Different portions of the cushion 14 may be made with different thicknesses, or even of
5 different materials to affect stiffness and resiliency for example. It is also contemplated that the cushion 14 may be made in whole or in part of foam or gel materials. The cushion 14 may be made based on a combination of the above processes and materials.

The inner rim 32 and sealing portion 36 are best seen in Fig 56, which shows that the sealing portion 36 has a gently curved shape that provides a lip that extends beyond the inner
10 rim 32. Preferably, the sealing portion 36 is formed to be more flexible or thinner than the inner rim 32 to conform more easily to the wearer's facial contours. The sealing portion 36 offers a compliant seal, which can accommodate small variations in the shape of the wearer's face and can account for small movements of the mask relative to the wearer while maintaining an effective seal. Depending upon the securing force supplied to the mask 10, the cushion 14
15 may deform to a point where it butts against the rim 32. The flange 30 has a rigidity sufficient to withstand usual securing pressures in use of the full-face cushion 14 and tends to retain its shape and resist deformation. It thus also acts as a supporting structure.

The embodiment shown herein has a single rim 32 and a single sealing portion 36 thus forming a double walled construction. It is also possible to have a single, triple or multiple
20 walled construction. Further, the rim 32 and the sealing portion 36 could be made of different materials.

If desired, the sealing portion 36 can include a gusset portion that is a gently curved enlarged portion that follows the curvature of the face.

The sealing portion 36 is designed to contact the wearer's face and form a seal
25 therewith so that the gas supplied to the inner chamber of the frame 12 does not leak outside the mask 10. The sealing portion 36 includes a nasal section 38 that spans the nasal area, which extends above the wearer's nares across the bridge of the nose and is generally an inverted V-shape as seen in Figs. 52-54. On each side of the nasal section 38, side sections 40
30 extend downwardly to the outside of both sides of the wearer's mouth, continuing the generally inverted V-shape. A chin section 42 extends between the side sections 40 and is described in greater detail below.

The profile of the cushion 14 when viewed from above or below has an concave central portion at the nasal end and the chin end and a convex portion at the cheek portions to fit a wearer's face as seen in Fig. 55. That is, in the plane perpendicular to a wearer's face, the cushion 14 is curved to follow the contours of the human face, including the protruding nose and chin. This is known in the art of respiratory masks.

Referring to Figs. 53 and 54, the chin section 42 of the cushion 14 assumes a shape when viewed from the front and the rear that is not conventional in respiratory masks. As discussed above, in conventional masks, the chin section of a cushion is straight or U-shaped in the plane generally parallel to the wearer's face. The conventional idea is to make the chin section conform closely around the mouth. However, in this embodiment of the invention, the chin section 42 is shaped to closely conform to the chin's bony contour instead. The bone descriptor for this region is between the mental protuberance and lower teeth on the jaw, and it forms an outwardly extending bone line that is curved downward, much like the shape of a frown. The cushion 14 therefore includes the chin region 42 that is shaped like a boomerang or an inverted U and is designed to rest between the lower lip and the mental protuberance. As seen in Fig. 54, the shape of the seal may be described as W-shaped. Any portion of the inverted U or W shape may be adjustable to refine the fit on the wearer. For example, a malleable wire could be formed in the sealing portion to provide such adjustability, by bending the wire to conform the sealing portion to the wearer's facial contours. This upwardly curved design or arch is seen in Figs. 51-54. The section rear view may have an arched shape while the front and/or side views could still maintain the current shape of the full face mask.

This shape allows the side sections 40 to extend farther downward toward the lower jaw. If desired, the cushion 14 can be sized to extend to the lower jaw to provide more stable support. By this, the cushion 14 rests on the bony regions of the face that are less likely to change shape and compromise the seal than the softer, fatty regions like the lower lip and cheek.

During treatment, as pressure is applied to the wearer, the lips, which are flexible, are forced slightly open. The lower lip thus moves outwardly and slightly downwards. As the lower lip moves as described, an intimate contact with the arch shaped cushion 14 is created, improving the sealing even further, and/or reducing leak through the mouth, if desired.

The cushion 14 and mask 10 have been described with reference to CPAP or assisted respiration treatment, however it is to be understood that the invention generally is applicable to any application where gas and/or atomized liquid is to be supplied to the entrance of the airways. Such applications include nebulisers, gas masks and anesthetic machines. In
5 addition, the mask can be for use with an oral only mouth mask where the mask covers the mouth only. Also, the cushion could extend down beyond the chin to further stabilize the cushion.

It can thus be appreciated that the aspects of the present invention have been fully and effectively accomplished. The foregoing specific embodiments have been provided to
10 illustrate the structural and functional principles of the present invention, and are not intended to be limiting. To the contrary, the present invention is intended to encompass all modifications, alterations and substitutions within the spirit and scope of the detailed description.

WHAT IS CLAIMED IS:

1 1. A cushion for a respiratory mask assembly that delivers breathable gas to a
2 patient, the cushion comprising:
3 a non-face contacting portion connected to a frame;
4 a face-contacting portion structured to engage the patient's face; and
5 an intermediate portion that interconnects the non-face contacting portion and
6 the face-contacting portion,
7 the intermediate portion including a gusset portion structured to apply a first
8 component of force to the patient's face through the face-contacting portion; and
9 a spring structure coupled with the face-contacting portion, the spring structure
10 being configured to apply a second component of force to the patient's face through the face-
11 contacting portion,
12 wherein the first and second components of force to be applied by the gusset
13 portion and spring structure, respectively, determine a contact force to be applied to the
14 patient's face through the face-contacting portion.

1 2. The cushion according to claim 1, wherein the contact force to be applied to the
2 patient's face is substantially evenly distributed around the entire perimeter of the cushion.

1 3. The cushion according to claim 1, wherein the contact force to be applied to the
2 patient's face in a nasal bridge region is less than the contact force to be applied to the patient's
3 face in cheek regions.

1 4. The cushion according to claim 1, wherein the contact force to be applied to the
2 patient's face by the cushion in a sensitive region of the face is less than the contact force to be
3 applied to the patient's face by the cushion in a less sensitive region of the face.

1 5. The cushion according to claim 1, wherein the intermediate portion extends
2 radially outwardly a distance away from the non-face-contacting and face-contacting portions
3 to provide additional footprint area outside a contact line of the cushion.

1 6. The cushion according to claim 5, wherein the gusset portion has a first side
2 wall extending outwardly from the face-contacting portion, a second side wall extending
3 outwardly from the non-face-contacting portion, and an arcuate wall that interconnects the first
4 and second side walls, the first wall, the second wall and the arcuate wall of the gusset portion
5 defining the additional footprint area therebetween.

1 7. The cushion according to claim 6, wherein a distance between the arcuate wall
2 of the gusset portion and the contact line of the cushion defines a dimension that is at least
3 partially determinative of the first component of force to be applied to the patient's face.

1 8. The cushion according to claim 6, wherein the arcuate wall acts as the spring
2 structure to provide the second component of force to the patient's face through the face-
3 contacting portion, the arcuate wall having a thickness that is designed to allow adjustment of
4 the second component of force.

1 9. The cushion according to claim 1, wherein the gusset portion has a dimension
2 that is designed to be variable in different regions of the gusset portion to adjust the first
3 component of force to be applied to different regions of the patient's face.

1 10. The cushion according to claim 1, wherein the non-face-contacting portion is
2 removably connected to the frame.

1 11. The cushion according to claim 10, wherein the non-face-contacting side is
2 removably connected to the frame with a cushion clip.

1 12. The cushion according to claim 1, wherein the face-contacting portion includes
2 a side wall, a rim extending away from the side wall, and a membrane provided to substantially
3 surround the rim.

1 13. The cushion according to claim 12, wherein the cushion includes two or more
2 rims and a membrane to substantially surround the two or more rims.

1 14. The cushion according to claim 12, wherein the cushion includes a rim and two
2 or more membranes to substantially surround the rim.

1 15. The cushion according to claim 1, wherein the face contacting portion
2 comprises a gel portion.

1 16. The cushion according to claim 1, wherein the face-contacting portion has a
2 generally triangular shape.

1 17. The cushion according to claim 1, wherein the gusset portion is curved to follow
2 the contour of the patient's face.

1 18. The cushion according to claim 1, wherein the face-contacting portion is
2 designed to apply different contact forces to different regions of the patient's face at a given
3 mask pressure.

1 19. The cushion according to claim 1, wherein the gusset portion is structured to not
2 impinge on the patient's vision.

1 20. The cushion according to claim 1, wherein the gusset portion is structured to
2 follow the curvature of the patient's face to reduce a height profile of the gusset portion.

1 21. The cushion according to claim 1, wherein the gusset portion has recessed
2 portions to allow the patient's field of view to be unimpeded.

1 22. The cushion according to claim 1, wherein the spring structure is provided by at
2 least one spring positioned within the gusset portion, the at least one spring having a spring
3 constant that is designed to allow adjustment of the second component of force.

1 23. The cushion according to claim 1, wherein the gusset portion includes a
2 dimension that is at least partially determinative of the first component of force to be applied to
3 the patient's face.

1 24. The cushion according to claim 1, wherein the at least one spring and the gusset
2 portion are designed to allow adjustment of the first and second components of force,
3 respectively, so as to allow adjustment of the contact force to be applied to different regions of
4 the patient's face.

1 25. A respiratory mask assembly for delivering breathable gas to a patient,
2 comprising:
3 a frame; and
4 a cushion according to claim 1.

1 26. A method for improving the comfort of a respiratory mask assembly for
2 delivering breathable gas to a patient, comprising:
3 providing a cushion having at least a face-contacting portion structured to
4 engage the patient's face and apply a contact force on the patient's face; and
5 designing the cushion to redistribute the contact force on the patient's face away
6 from a first region of the patient's face and onto a second region of the patient's face.

1 27. The method according to claim 26, further comprising:
2 providing a gusset portion within the cushion that is determinative of a
3 component of the contact force to be applied to the patient's face through the face-contacting
4 portion, the gusset portion having a first outer perimeter that defines an outer perimeter of the
5 gusset portion and a second outer perimeter that defines an outer perimeter of a sealing strip of
6 a seal forming portion of the cushion; and
7 varying a distance between the first and second outer perimeters of the gusset
8 portion in different regions of the patient's face to thereby vary the contact force applied in
9 different regions of the patient's face.

1 28. The method according to claim 26, further comprising:
2 providing a spring structure within the cushion that is determinative of a
3 component of contact force applied to the patient's face through the face-contacting portion,
4 the spring structure having a spring constant; and

5 varying the spring constant of the spring structure in different regions of
6 patient's face to thereby vary the contact force applied in different regions of the patient's face.

1 29. The method according to claim 26, wherein the spring structure and cushion are
2 formed in one piece.

1 30. A cushion for a respiratory mask assembly that delivers breathable gas to a
2 patient, the cushion comprising:
3 a non-face contacting portion connected to a frame; and
4 a face-contacting portion structured to engage the patient's face and apply a
5 contact force on the patient's face,
6 wherein the face-contacting portion is structured such that the contact force on
7 the patient's face can be redistributed away from a first region of the patient's face and onto a
8 second region of the patient's face.

1 31. The cushion according to claim 30, wherein the first region is a sensitive region
2 of the patient's face and the second region is a less sensitive region of the patient's face.

1 32. A cushion for a respiratory mask assembly that delivers breathable gas to a
2 patient, the cushion comprising:
3 a non-face contacting portion connected to a frame;
4 a face-contacting portion structured to engage the patient's face; and
5 an intermediate portion that interconnects the non-face contacting portion and
6 the face-contacting portion, the intermediate portion including a gusset portion to apply a
7 component of force to the patient's face through the face-contacting portion,
8 wherein at least the gusset portion is curved as viewed from above to follow the
9 contour of the patient's face.

1 33. The cushion according to claim 32, wherein the gusset portion has a radius of
2 curvature in the range of 80-120 mm.

1 34. A respiratory mask assembly for delivering breathable gas to a patient,
2 comprising:

3 a frame;

4 a cushion having a non-face contacting portion connected to the frame, a face-
5 contacting portion structured to engage the patient's face and apply a contact force on the
6 patient's face, and an intermediate portion that interconnects the non-face contacting portion
7 and the face-contacting portion,

8 the intermediate portion including a gusset portion that is determinative of a
9 component of the contact force to be applied to the patient's face through the face-contacting
10 portion, the gusset portion having a first outer perimeter that defines an outer perimeter of the
11 gusset portion and a second outer perimeter that defines an outer perimeter of a sealing strip of
12 a seal forming portion of the cushion,

13 wherein a distance between the first and second outer perimeters of the gusset
14 portion can be varied in different regions of the patient's face to thereby vary the contact force
15 applied in different regions of the patient's face.

1 35. A respiratory mask assembly for delivering breathable gas to a patient,
2 comprising:

3 a frame;

4 a cushion having a non-face contacting portion connected to the frame, a face-
5 contacting portion structured to engage the patient's face and apply a contact force on the
6 patient's face, and an intermediate portion that interconnects the non-face contacting portion
7 and the face-contacting portion,

8 the intermediate portion including a gusset portion that is determinative of a
9 component of the contact force applied to the patient's face through the face-contacting
10 portion, the gusset portion having a first outer perimeter that defines an outer perimeter of the
11 gusset portion and a second outer perimeter that defines an outer perimeter of a sealing strip of
12 a seal forming portion of the cushion,

13 wherein a distance between the first and second outer perimeters of the gusset
14 portion in a nasal bridge contacting region of the cushion differs from a distance between the
15 first and second outer perimeters of the gusset portion in a cheek contacting region of the
16 cushion to thereby differ the contact force to be applied by the nasal bridge contacting region
17 from the contact force applied by the cheek contacting region.

1 36. The respiratory mask assembly according to claim 35, wherein a distance
2 between the first and second outer perimeters of the gusset portion in a nasal bridge contacting
3 region is smaller than a distance between the first and second outer perimeters of the gusset
4 portion in a cheek contacting region.

1 37. A respiratory mask comprising:
2 a frame including a breathable gas port, wherein the frame defines an inner
3 chamber to receive at least one of a wearer's nasal region and mouth; and
4 a cushion including a flange connected to the frame, an inner rim defining an
5 opening to the inner chamber of the frame, and a sealing portion disposed between the flange
6 and the inner rim to contact the wearer's face,
7 wherein the sealing portion includes a nasal seal section to span a wearer's face
8 above the wearer's nares, side seal sections extending from each side of the nasal seal section
9 on both sides of the wearer's mouth, and a chin seal section that extends between the side seal
10 sections, wherein the chin seal section is upwardly curved in an arch to follow the chin's bony
11 contour.

1 38. The respiratory mask of claim 37, wherein the chin seal section is one of an
2 inverted U-shape, W-shaped and boomerang shaped.

1 39. The respiratory mask of claim 37, wherein the side seal sections are structured
2 to extend downward to the wearer's lower jaw.

1 40. The respiratory mask of claim 37, wherein the wearer has a bottom lip and a
2 mental protuberance and the chin seal section is structured to be positioned between the
3 wearer's bottom lip and the mental protuberance.

1 41. The respiratory mask of claim 37, wherein the sealing portion is thinner than the
2 rim.

1 42. The respiratory mask of claims 37, wherein the sealing portion is a lip that
2 extends beyond the rim.

- 1 43. The respiratory mask of claim 37, wherein the cushion and the frame are
2 integral.
- 1 44. The respiratory mask of claim 37, wherein the cushion is removably attached to
2 the frame.
- 1 45. The respiratory mask of claim 37, wherein the cushion is made of a silicone
2 elastomer.
- 1 46. The respiratory mask of claim 37, wherein the cushion comprises a combination
2 of materials that are assembled together.
- 1 47. The respiratory mask of claim 37, wherein the cushion comprises a combination
2 of integrally formed materials.
- 1 48. The respiratory mask of claim 37, wherein the cushion is made of gel.
- 1 49. The respiratory mask of claim 37, wherein the cushion is made of foam.
- 1 50. The respiratory mask of claim 49, wherein the cushion is made of gel and foam.
- 1 51. The respiratory mask of claim 37, wherein the frame is generally triangular.
- 1 52. The respiratory mask of claim 37, wherein the cushion is made of silicone and
2 gel.
- 1 53. The respiratory mask of claim 37, wherein the frame is generally trapezoidal.
- 1 54. The respiratory mask of claim 37, wherein the frame includes a vent.

1 55. The respiratory mask of claim 37, wherein the frame includes head strap
2 fasteners.

1 56. The respiratory mask of claim 37, wherein the sealing portion defines an
2 inverted U-shaped seal section that is adjustable to fit the contour of the wearer's face.

1 57. A cushion for use in a respiratory mask, comprising:
2 a flange to connect to a mask frame;
3 an inner rim defining an opening to surround at least one of the wearer's nares
4 and mouth; and
5 a sealing portion disposed between the flange and the inner rim to contact the
6 wearer's face,
7 wherein the sealing portion includes a nasal seal section to span a wearer's face
8 above the wearer's nares, side seal sections extending from each side of the nasal section on
9 both sides of the wearer's mouth, and a chin seal section that extends between the side seal
10 sections, wherein the chin seal section is upwardly curved in an arch to follow the chin's bony
11 contour.

1 58. The cushion of claim 57, wherein the side seal sections extend downward to
2 cover at least a portion of the wearer's lower jaw.

1 59. The cushion of claim 57, wherein the wearer has a bottom lip and a mental
2 protuberance and the chin seal section is positionable between the wearer's bottom lip and the
3 mental protuberance.

1 60. The cushion of claim 57, wherein the sealing portion is thinner than the rim.

1 61. The cushion of claim 57, wherein the sealing portion is a lip that extends
2 beyond the rim.

1 62. The cushion of claim 57 made of a silicone elastomer, gel and/or foam.

1 63. The cushion of claim 57, in combination with a respiratory mask including a
2 frame, wherein the cushion is supported by the frame.

1 64. The cushion of claim 57, wherein the opening is structured to cover only the
2 wearer's mouth.

1 65. A respiratory mask assembly for delivering breathable gas to a patient,
2 comprising:
3 a frame; and
4 a cushion having a non-face contacting portion connected to the frame, a face-
5 contacting portion structured to apply a contact force on the patient's face, and an intermediate
6 portion that interconnects the non-face contacting portion and the face-contacting portion,
7 wherein the intermediate portion includes an elastic cuff portion that is at least
8 partly determinative of a component of the contact force to be applied to the patient's face
9 through the face-contacting portion, the elastic cuff portion having a stiffness which is less
10 than the stiffness of at least one of the face contacting portion and the non-face contacting
11 portion.

1 66. A cushion comprising:
2 a non-face contacting portion connected to the frame;
3 a face-contacting portion structured to apply a contact force on the patient's
4 face; and
5 an intermediate portion that interconnects the non-face contacting portion and
6 the face contacting portion, the intermediate portion including at least one elastic cuff portion
7 that is at least partly determinative of a component of the contact force to be applied to the
8 patient's face through the face-contacting portion, the at least one elastic cuff portion having a
9 stiffness which is less than the stiffness of at least one of the face contacting portion and the
10 non-face contacting portion.

1 67. The cushion of claim 66, wherein the at least one elastic cuff portion extends
2 about the entire perimeter of the cushion.

1 68. The cushion of claim 66, wherein the at least one elastic cuff portion is provided
2 along only a limited portion of the intermediate portion of the cushion.

1 69. The cushion of claim 68, wherein the cushion includes a base portion and an
2 obliquely angled side portion provided to each side of the base portion, and the at least one
3 elastic cuff portion is provided along the base portion.

1 70. The cushion of claim 68, wherein the at least one elastic cuff portion includes
2 two elastic cuff portions provided symmetrically about the intermediate portion.

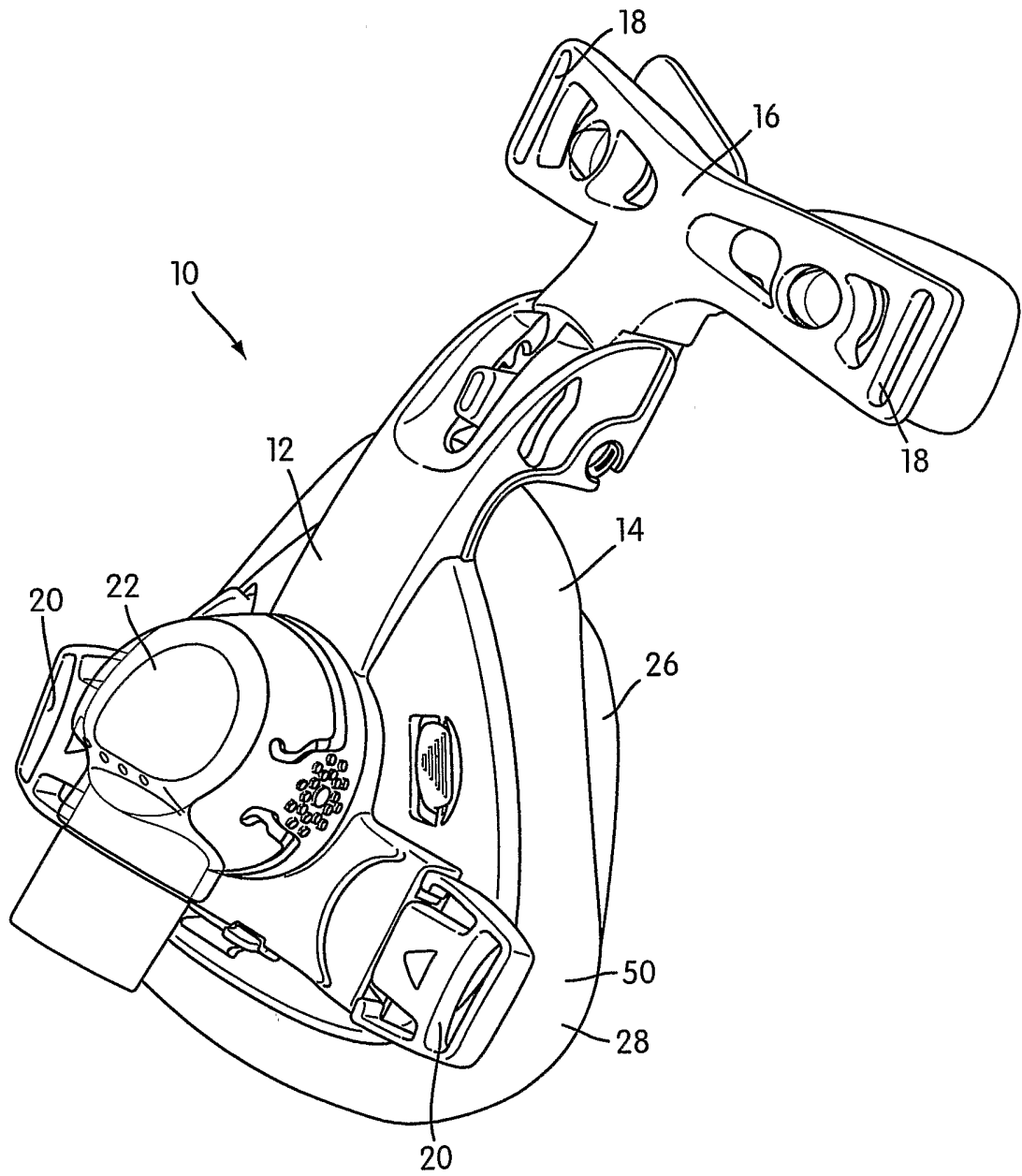


FIG. 1

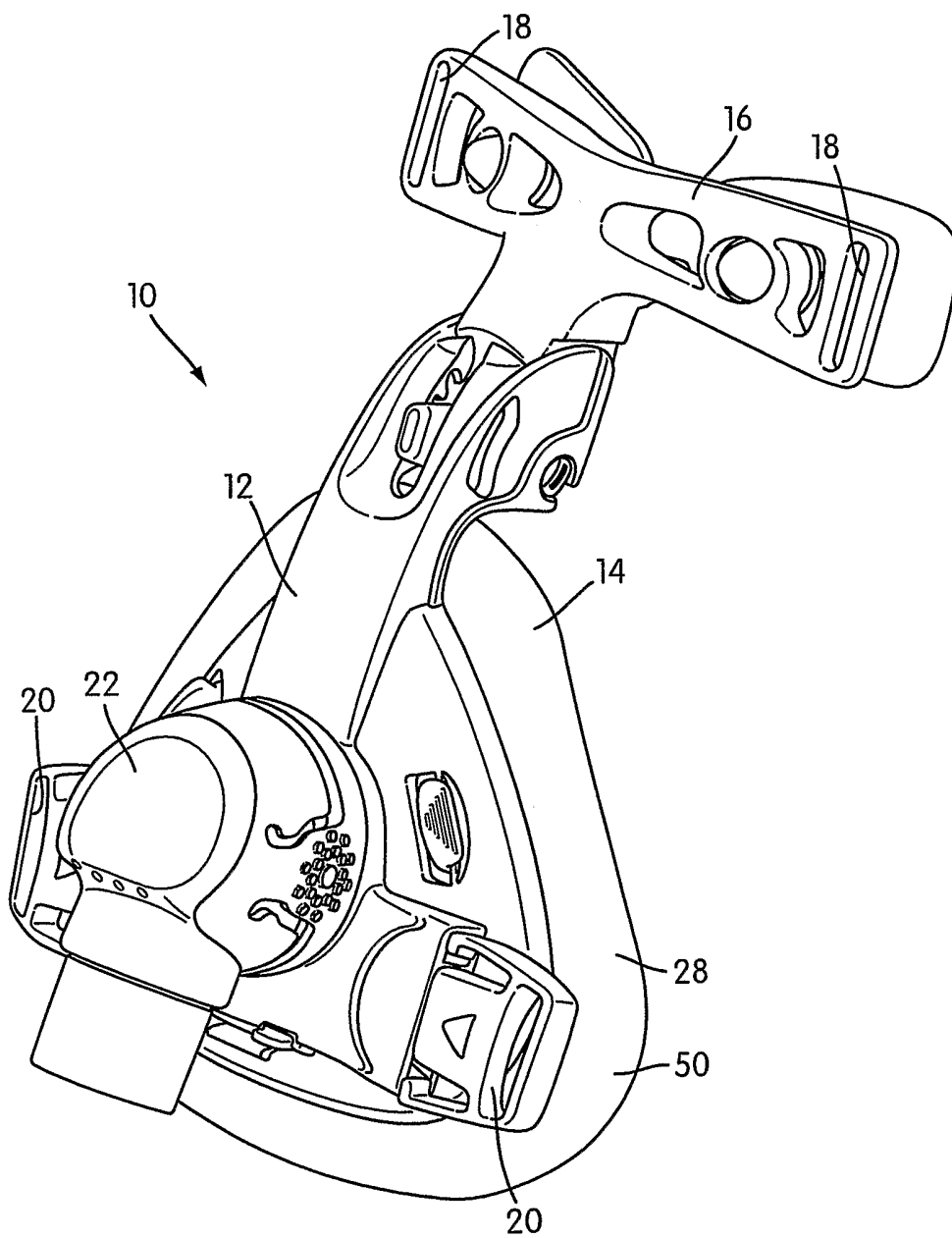


FIG. 1B

3/45

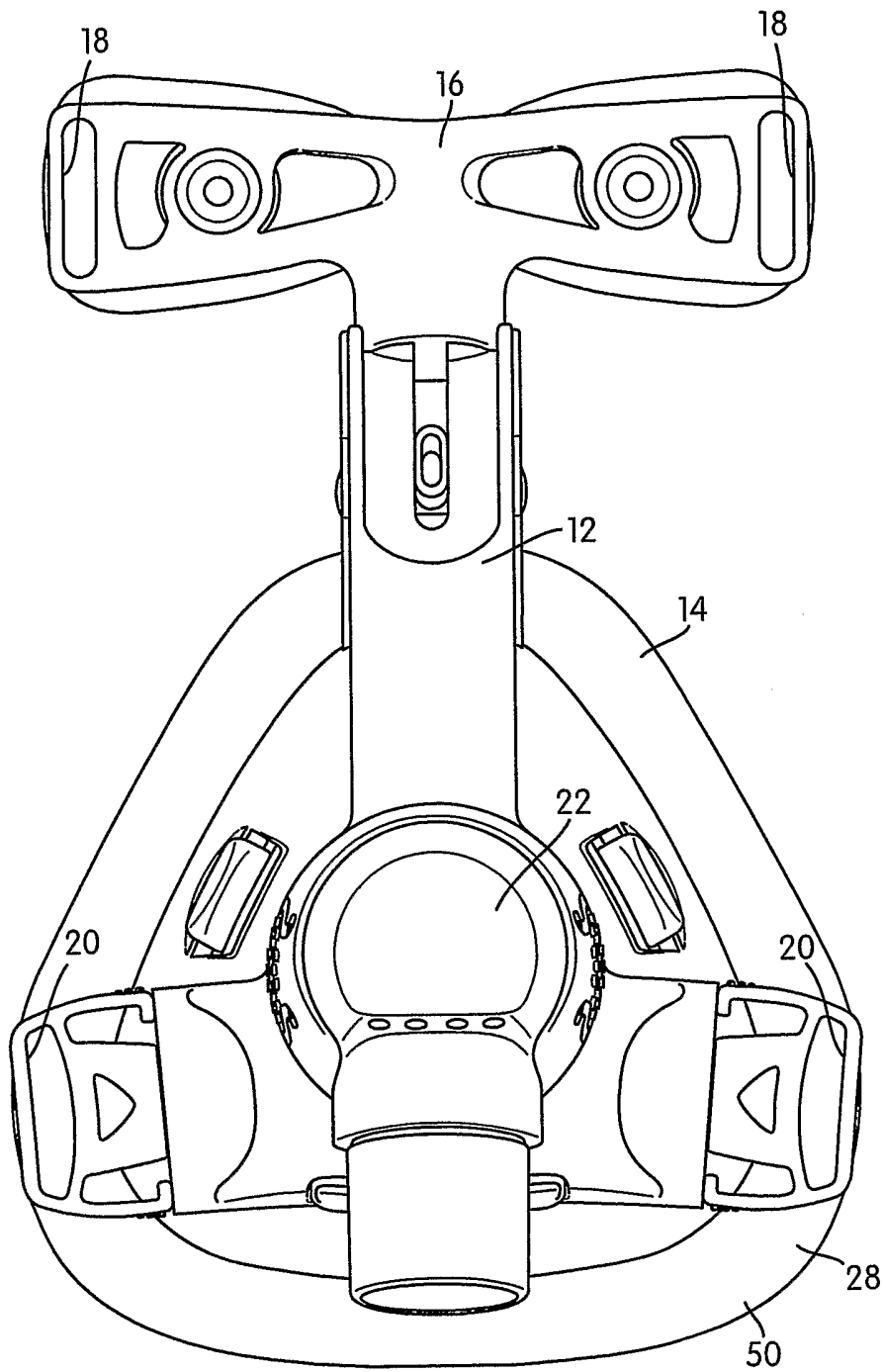


FIG. 1C

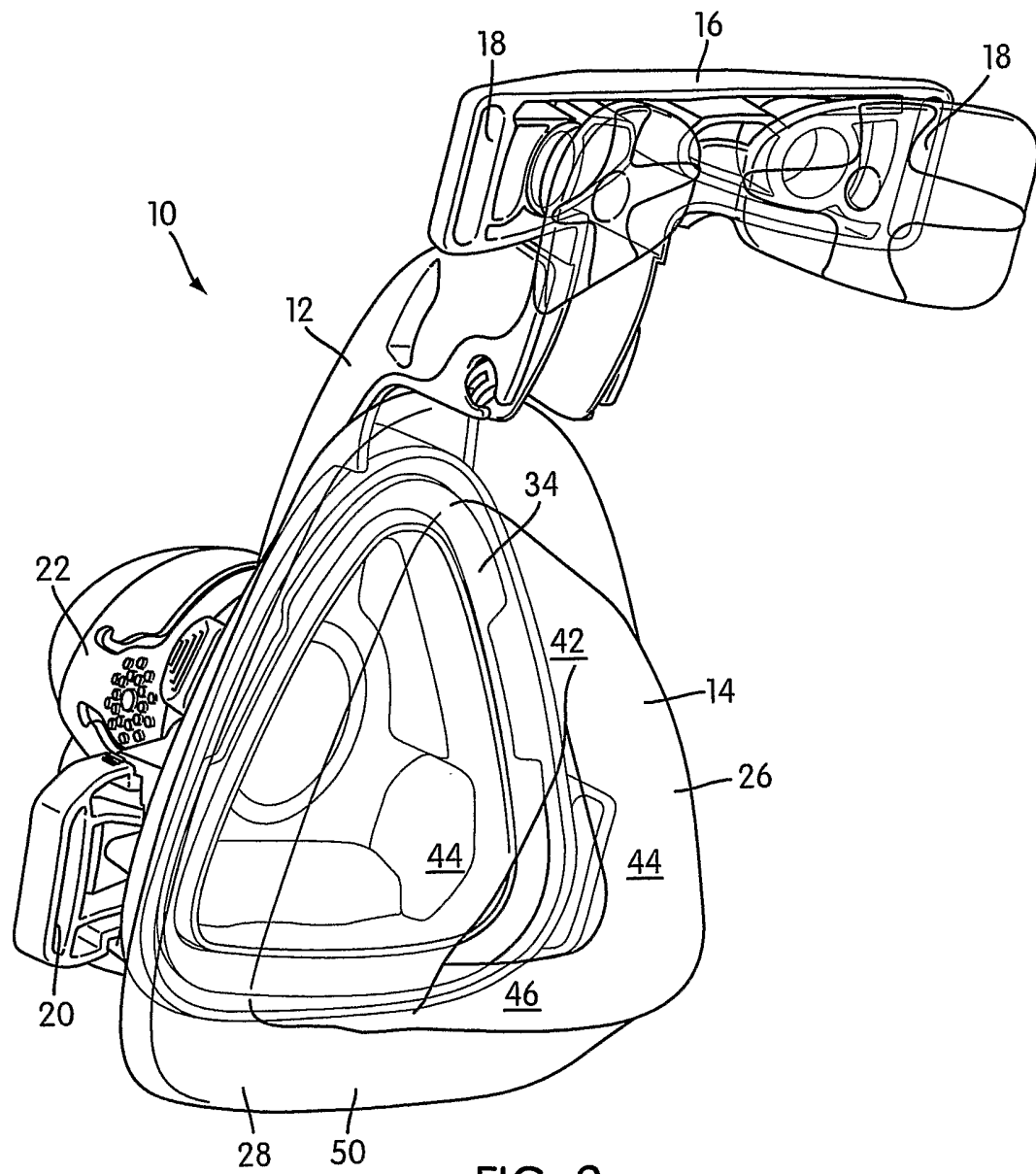


FIG. 2

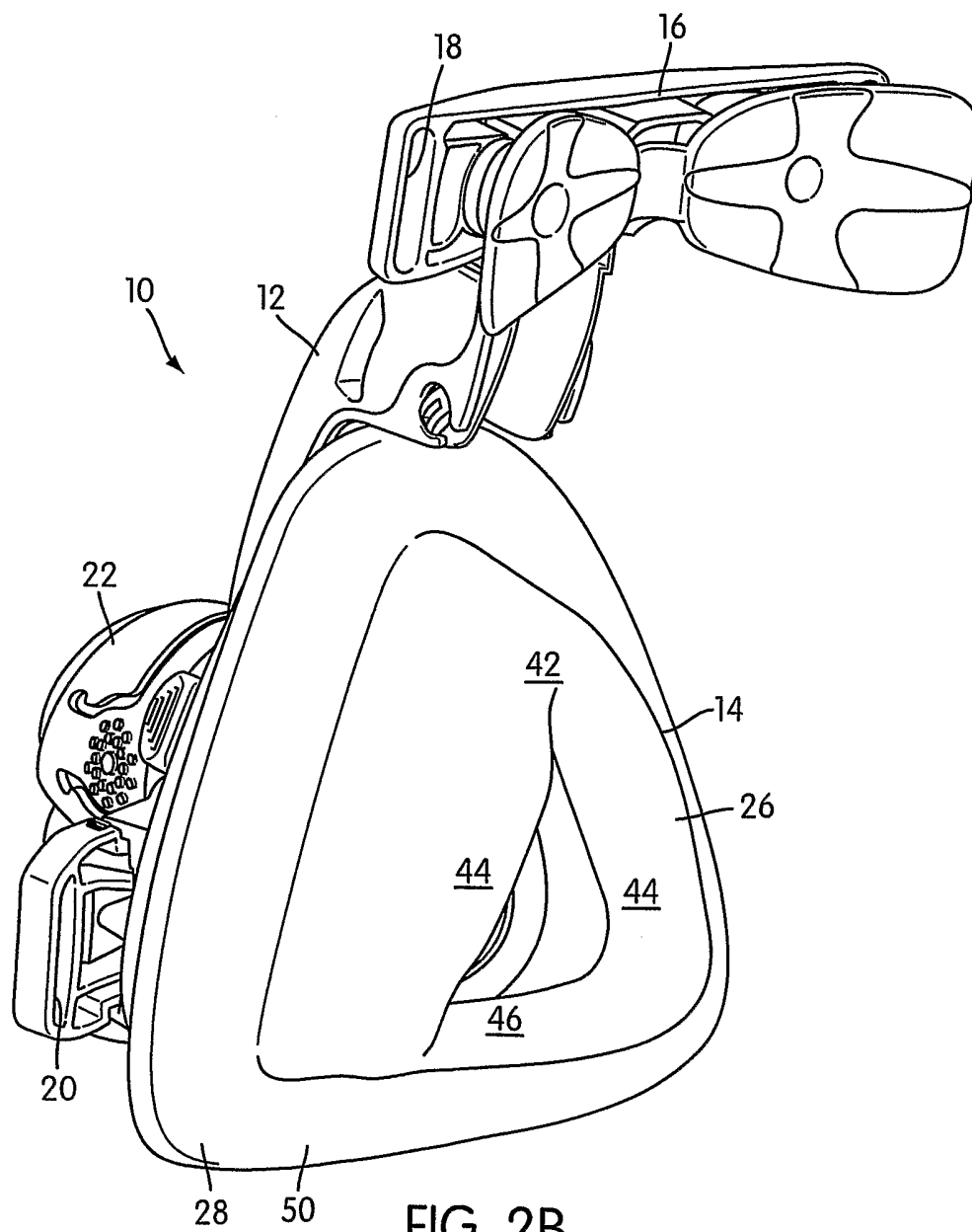


FIG. 2B

6/45

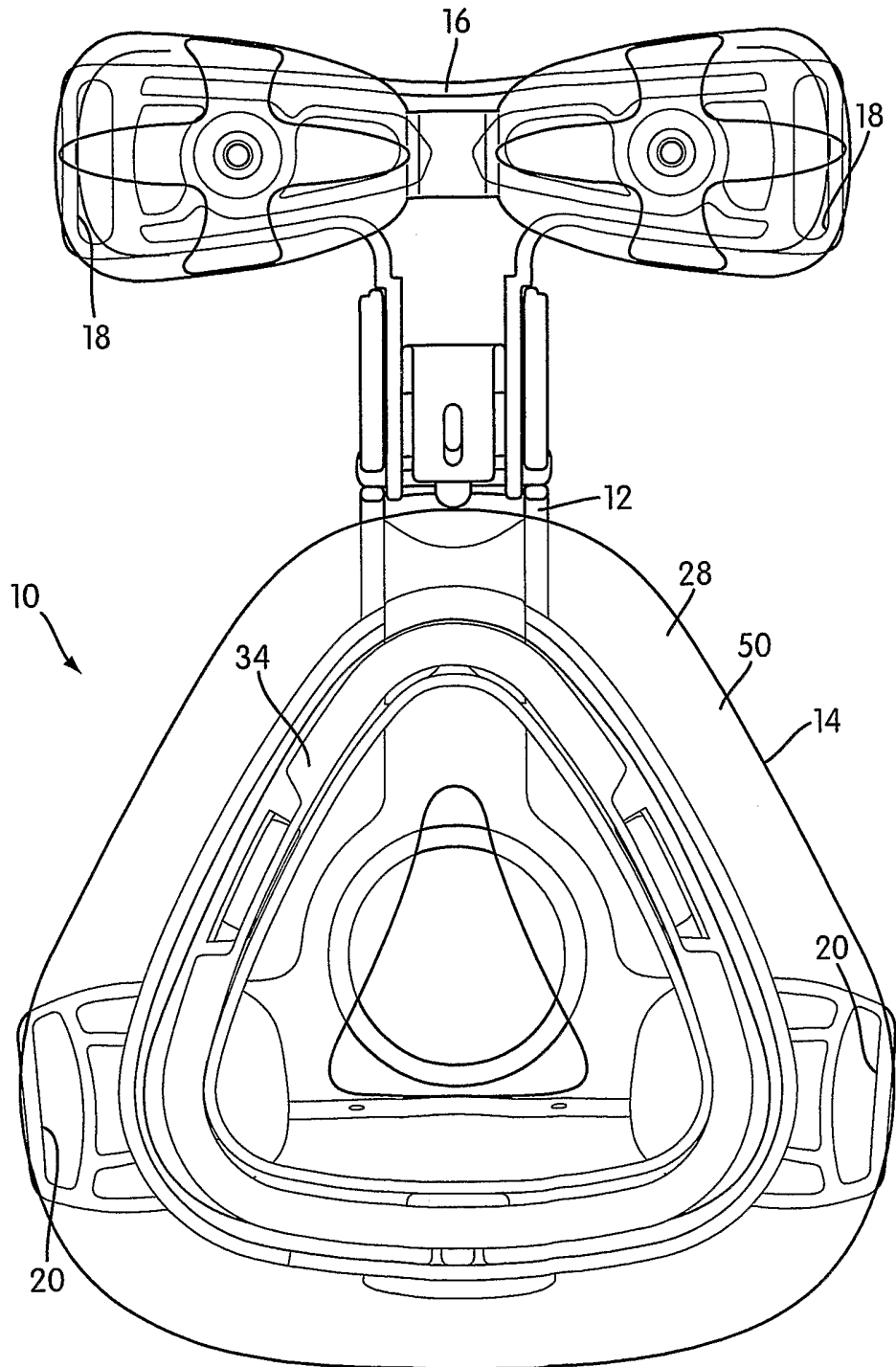


FIG. 3

7/45

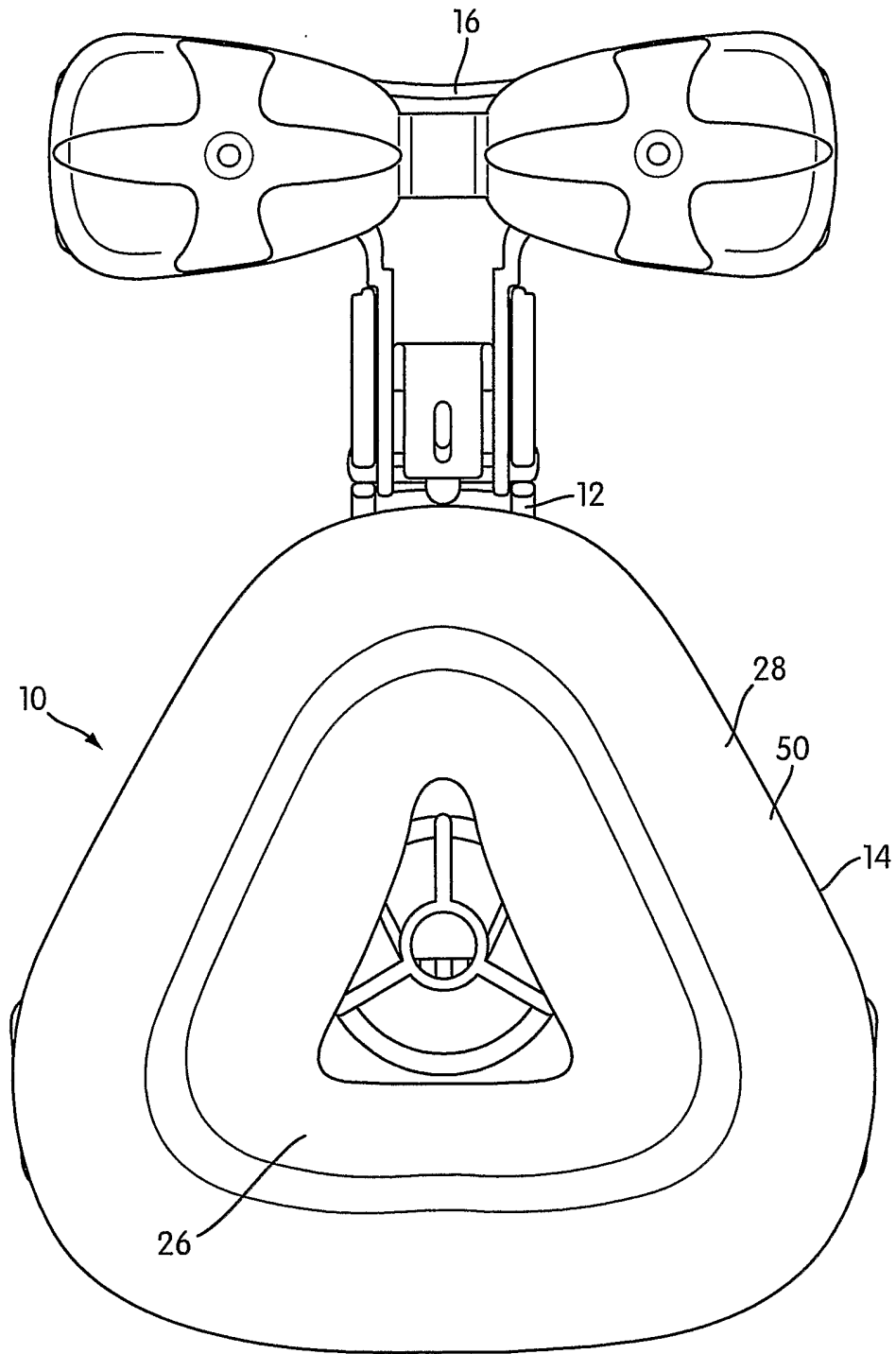


FIG. 3B

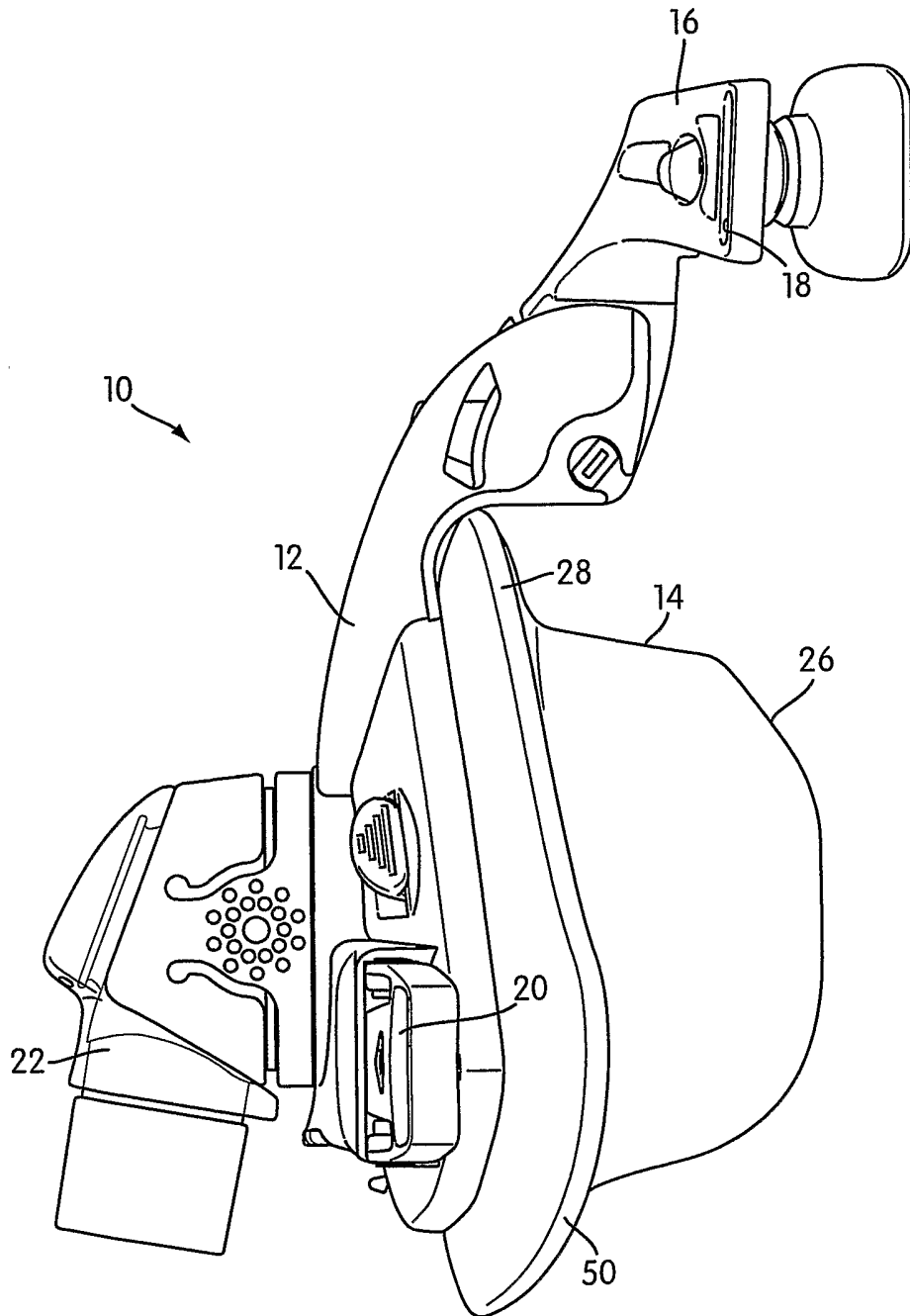


FIG. 4

9/45

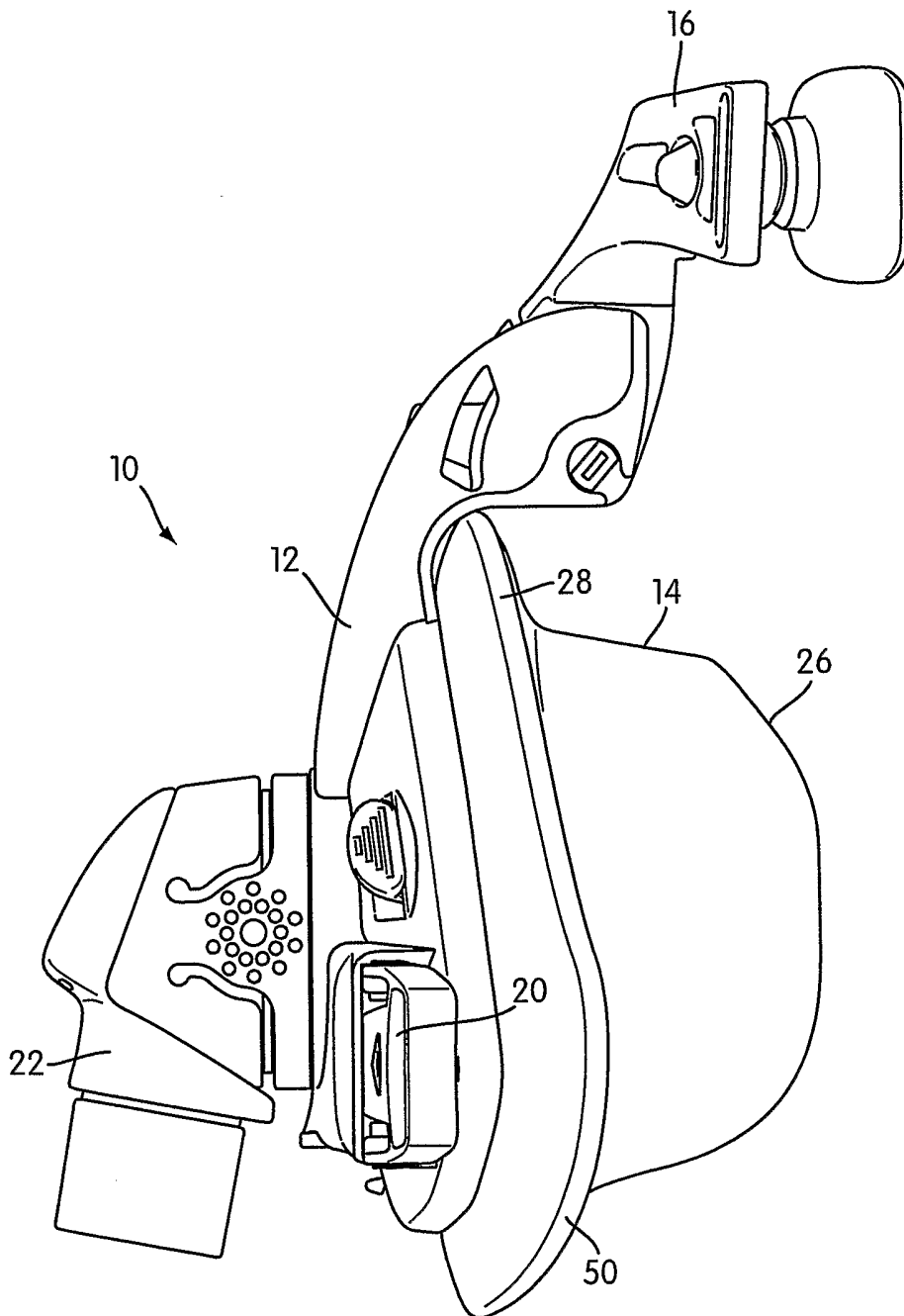


FIG. 4B

10/45

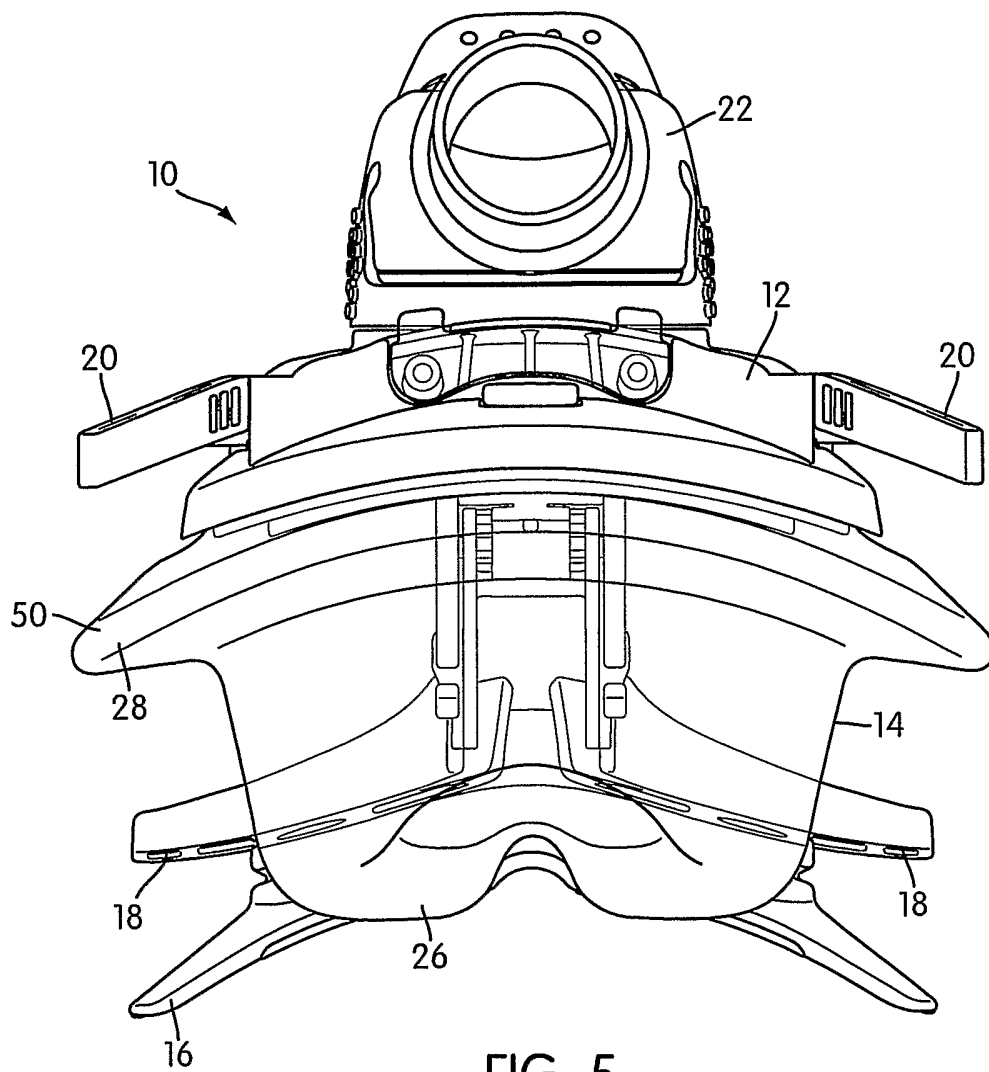


FIG. 5

11/45

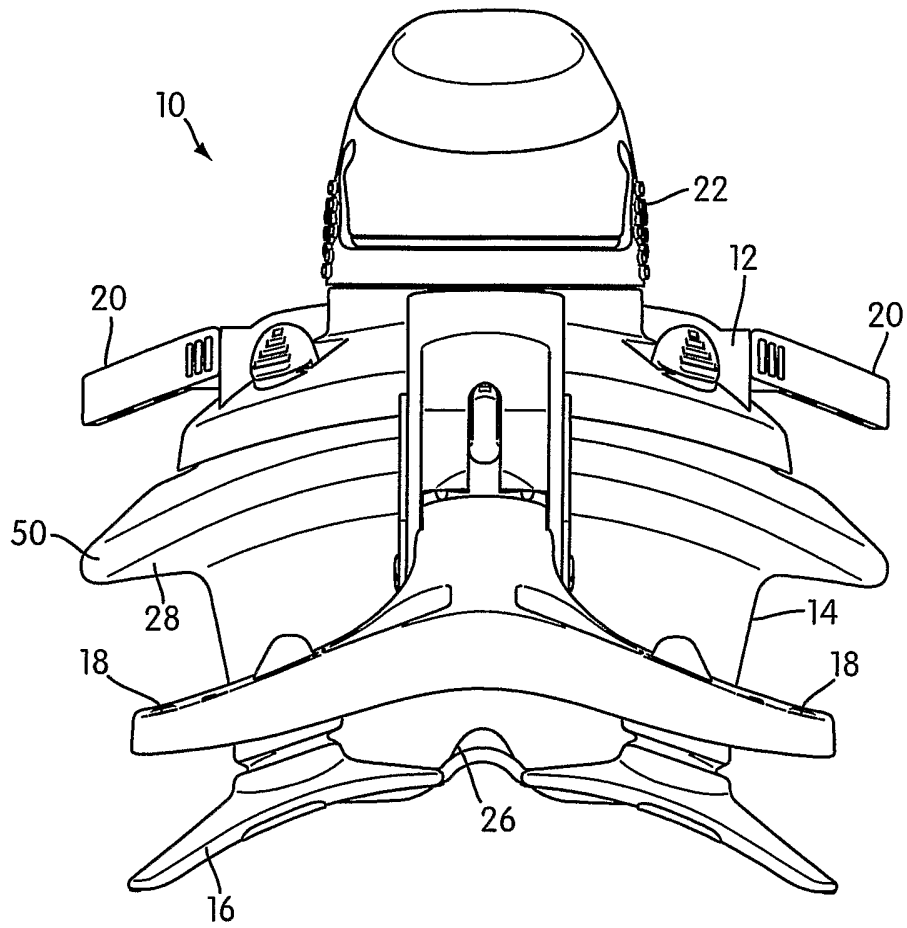
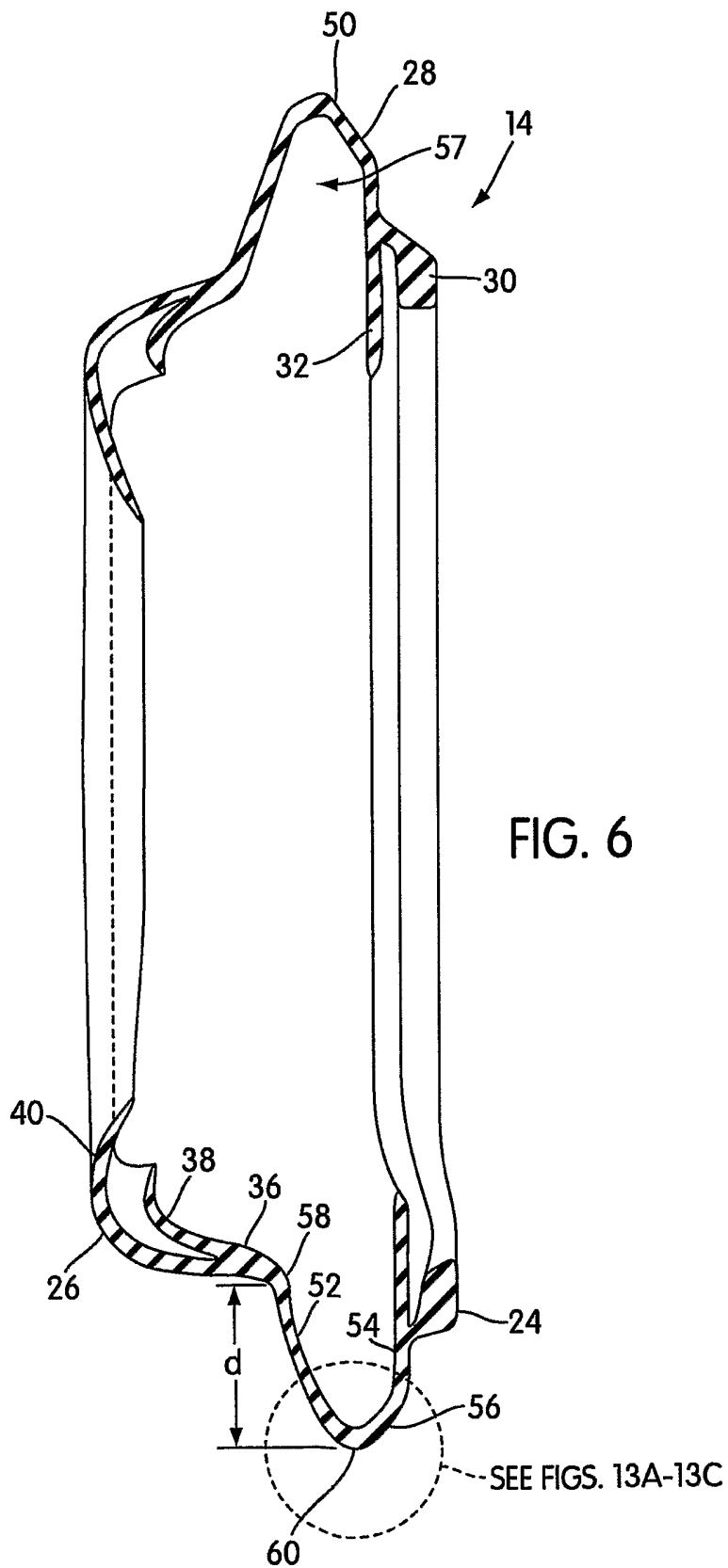


FIG. 5B

12/45



13/45

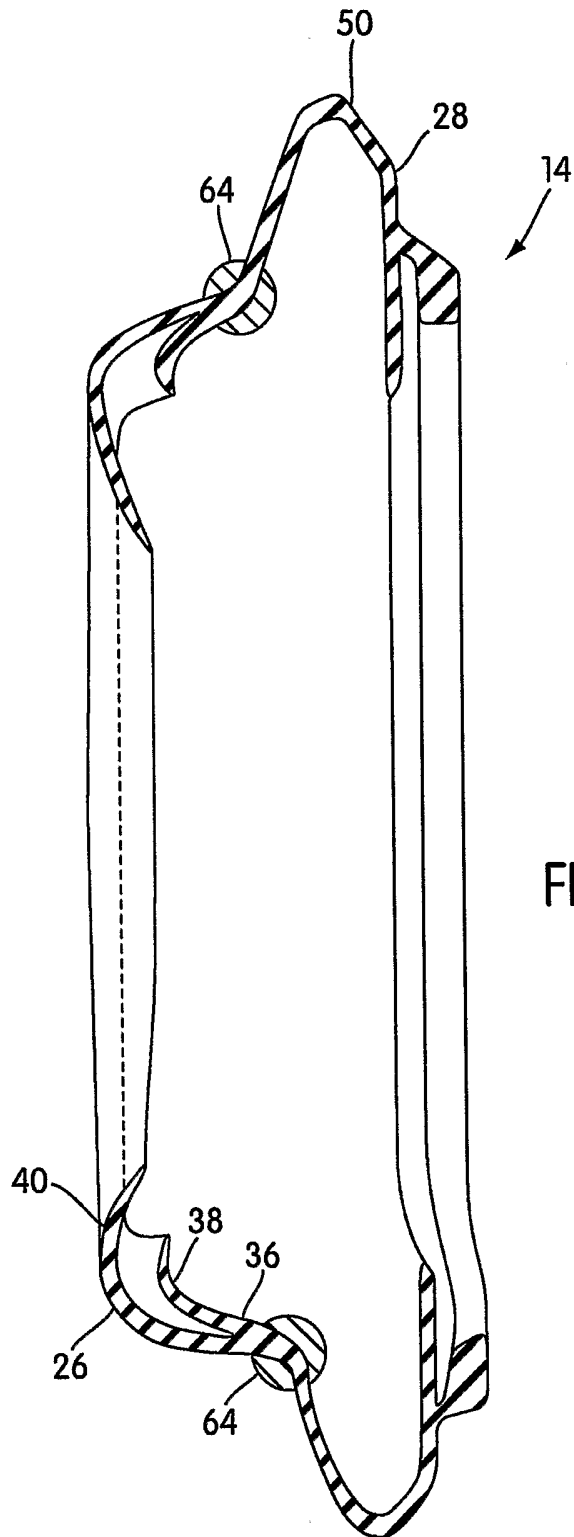


FIG. 6B

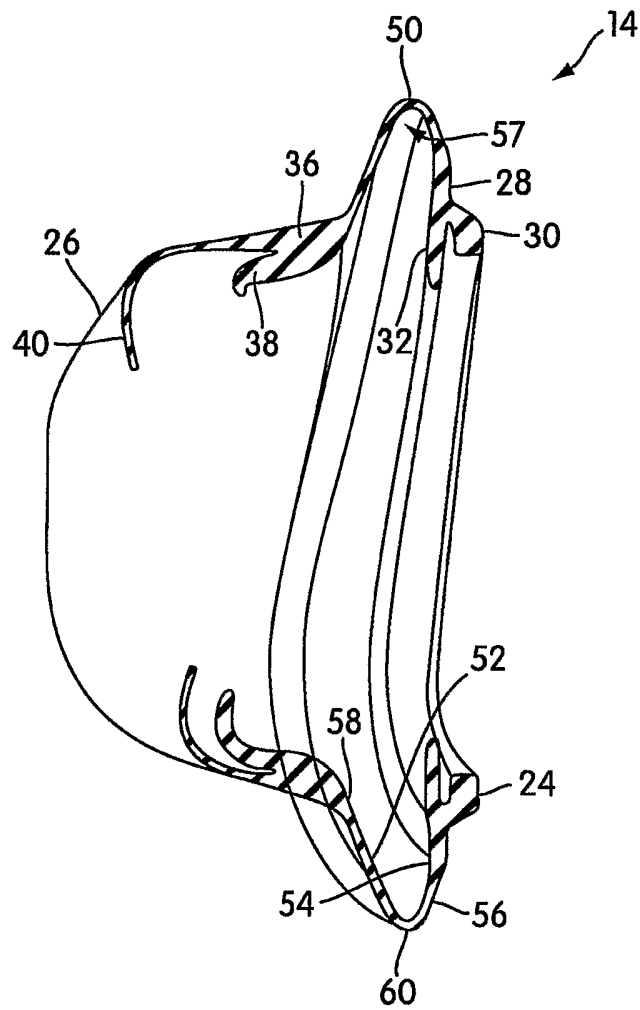


FIG. 6C

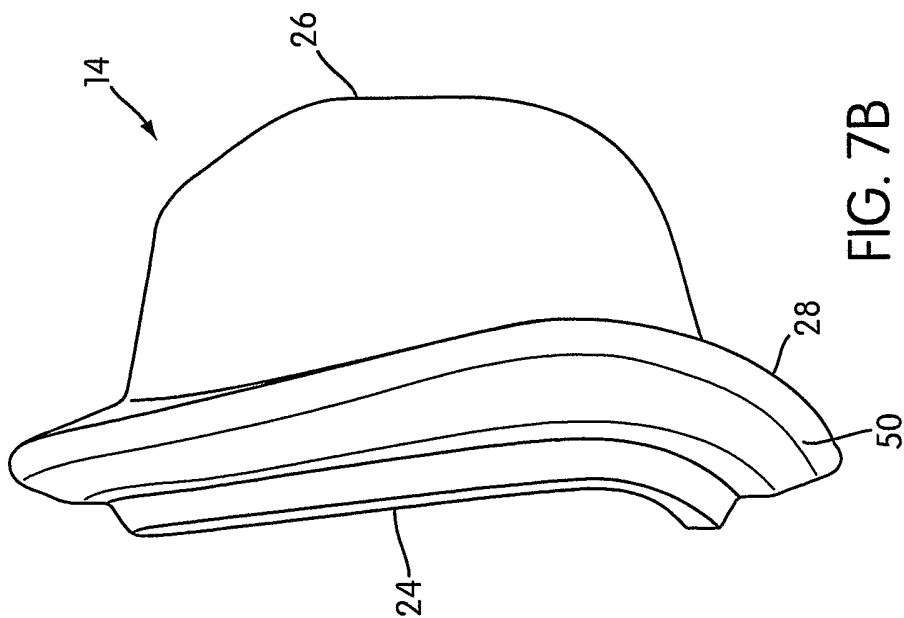


FIG. 7B

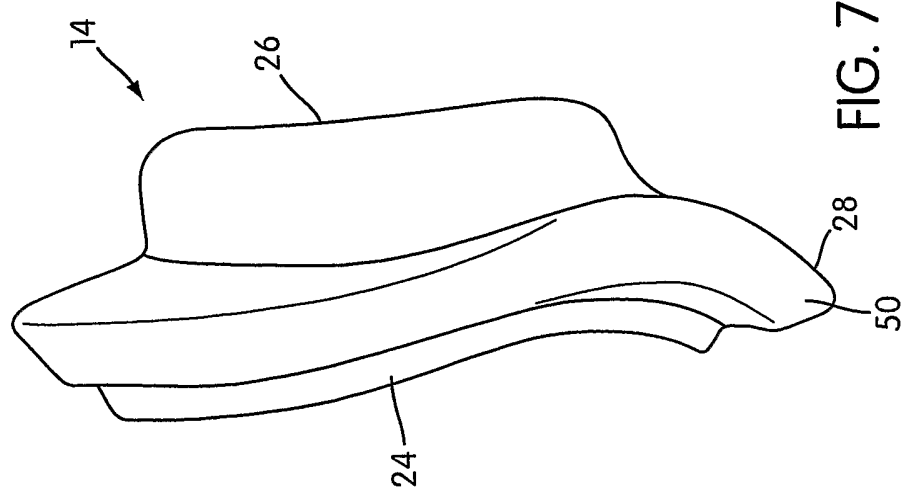


FIG. 7

16/45

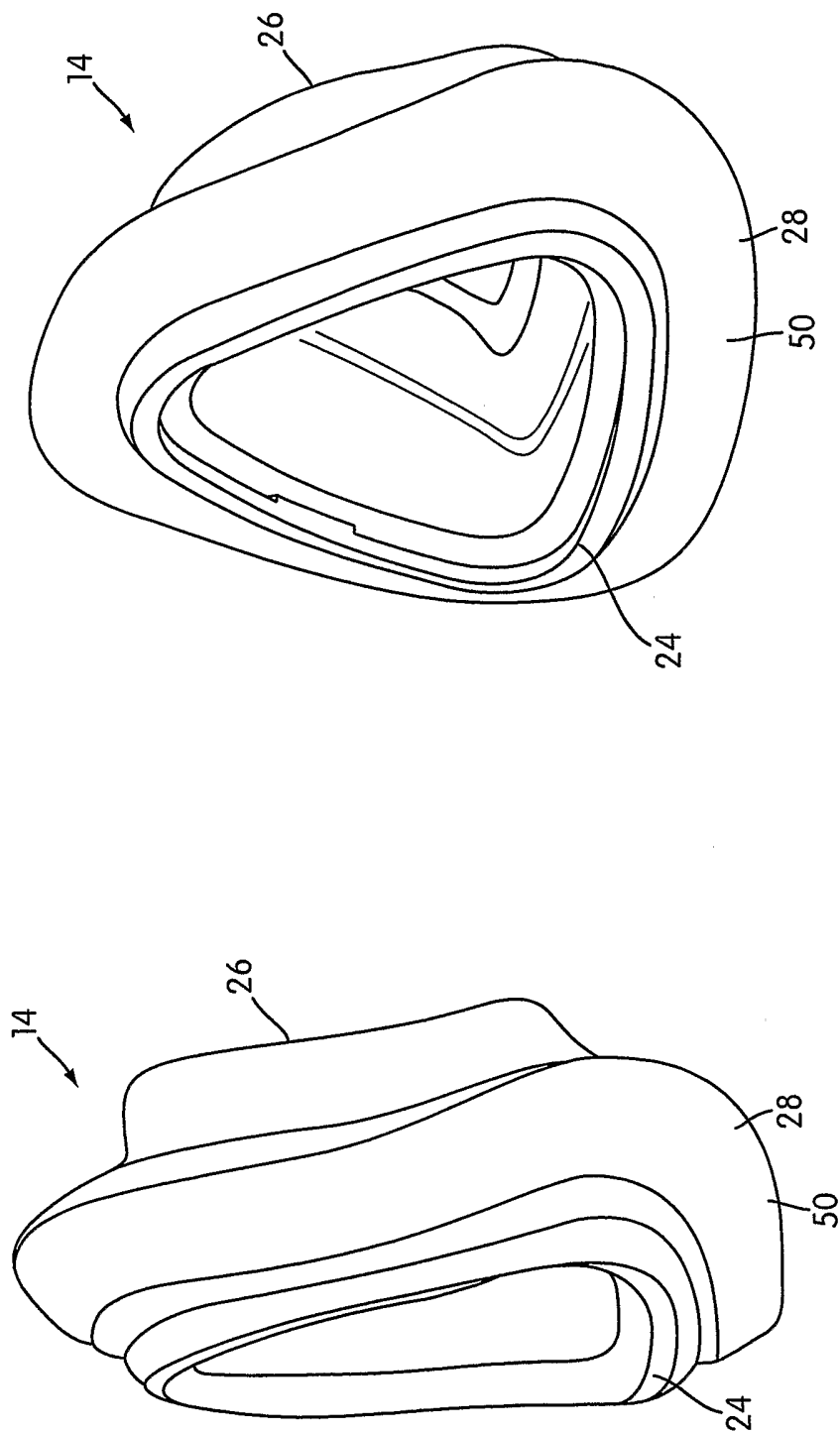


FIG. 8B

FIG. 8

17/45

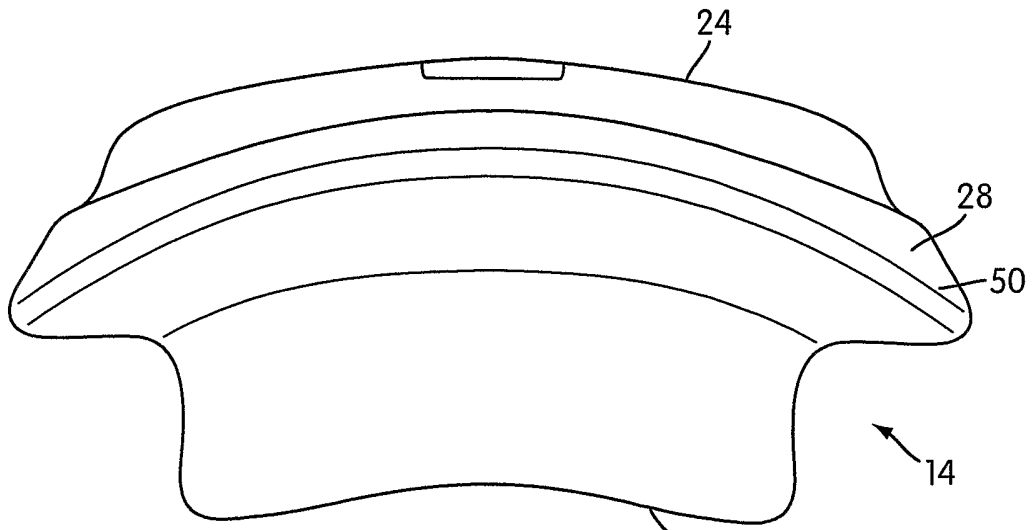


FIG. 9

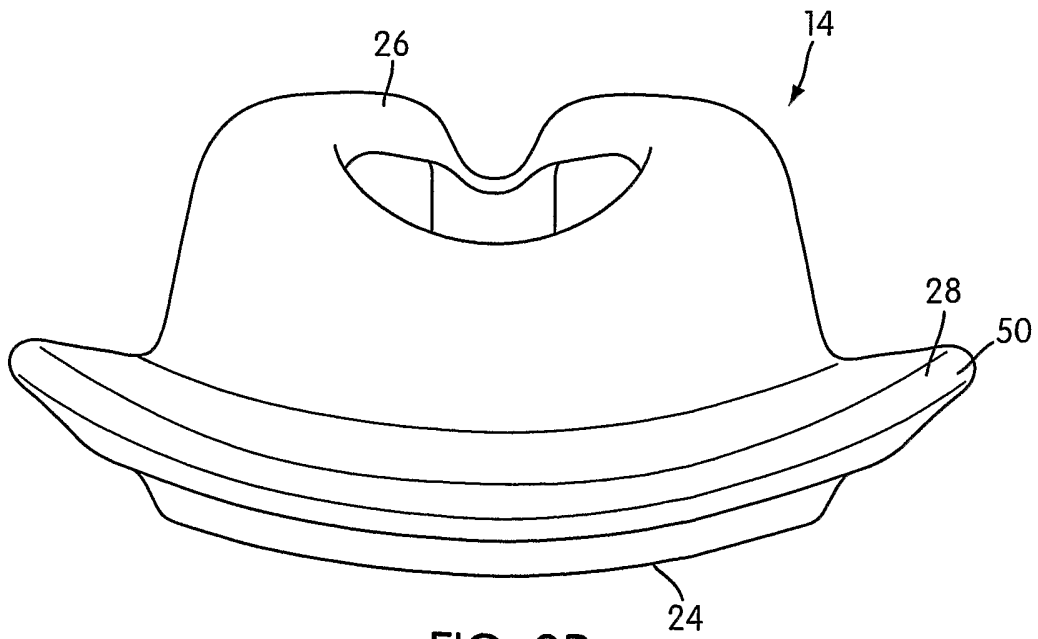


FIG. 9B

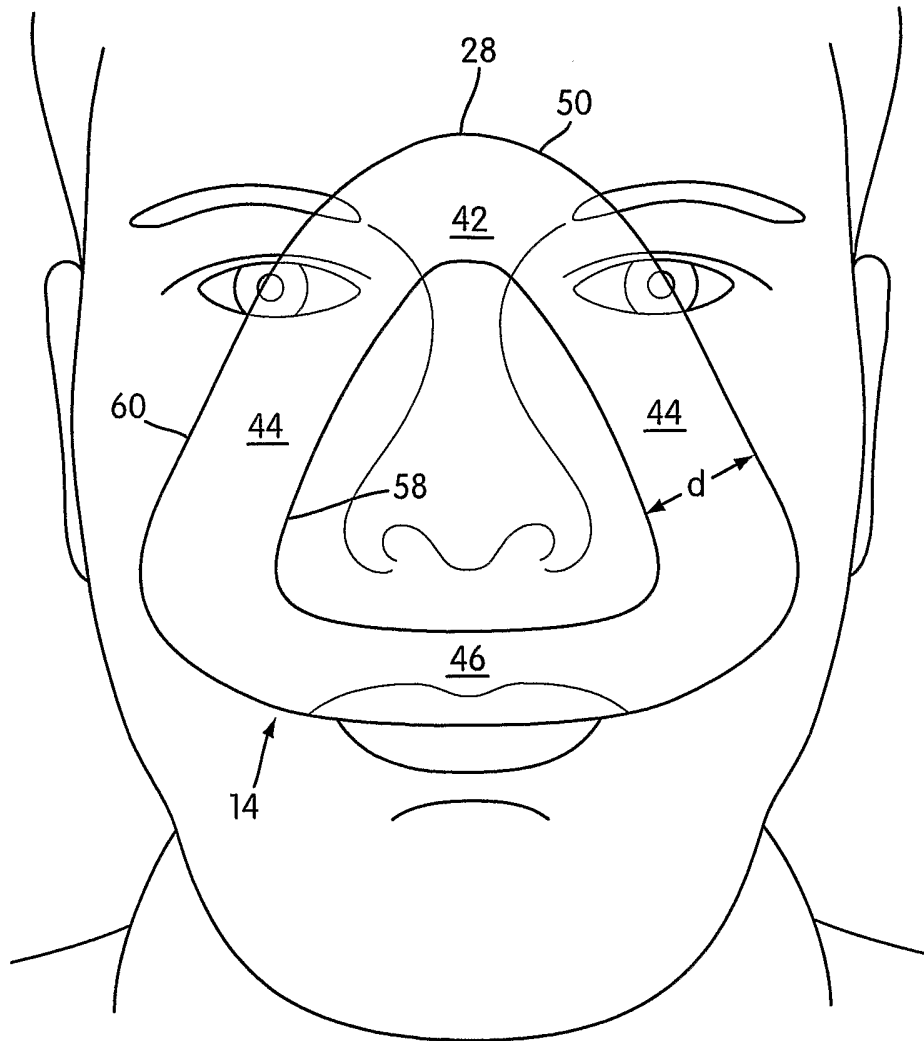


FIG. 10

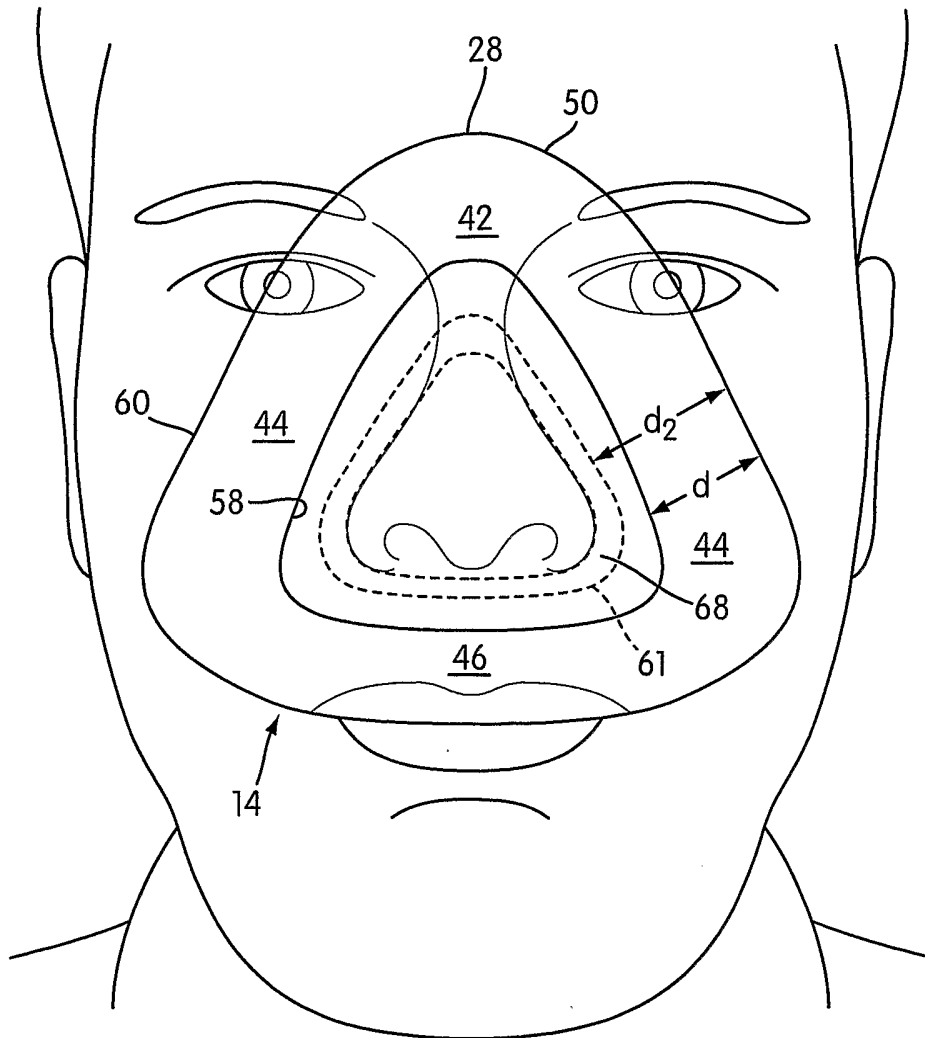


FIG 10B

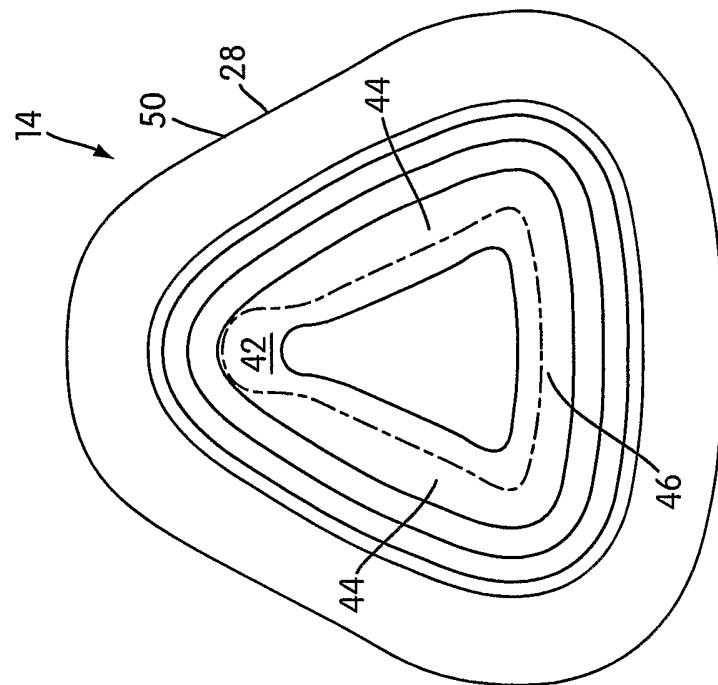


FIG. 11B

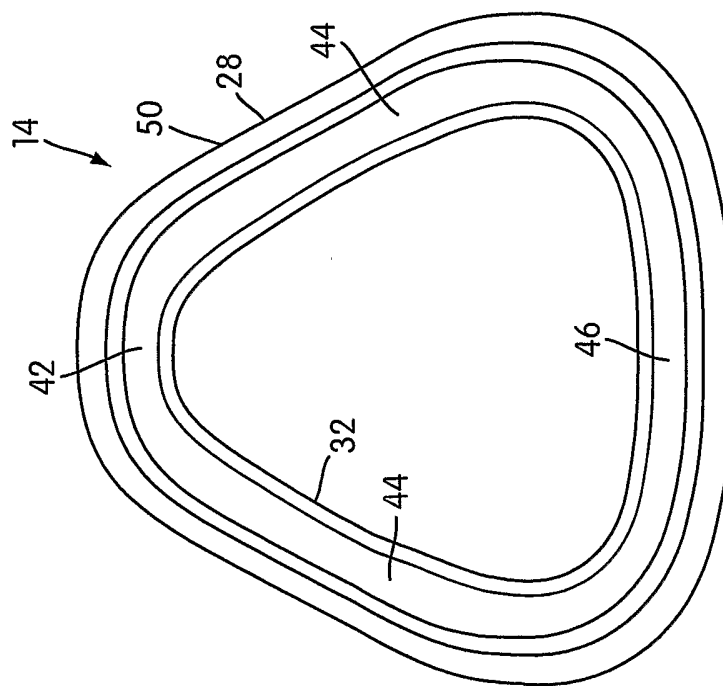


FIG. 11

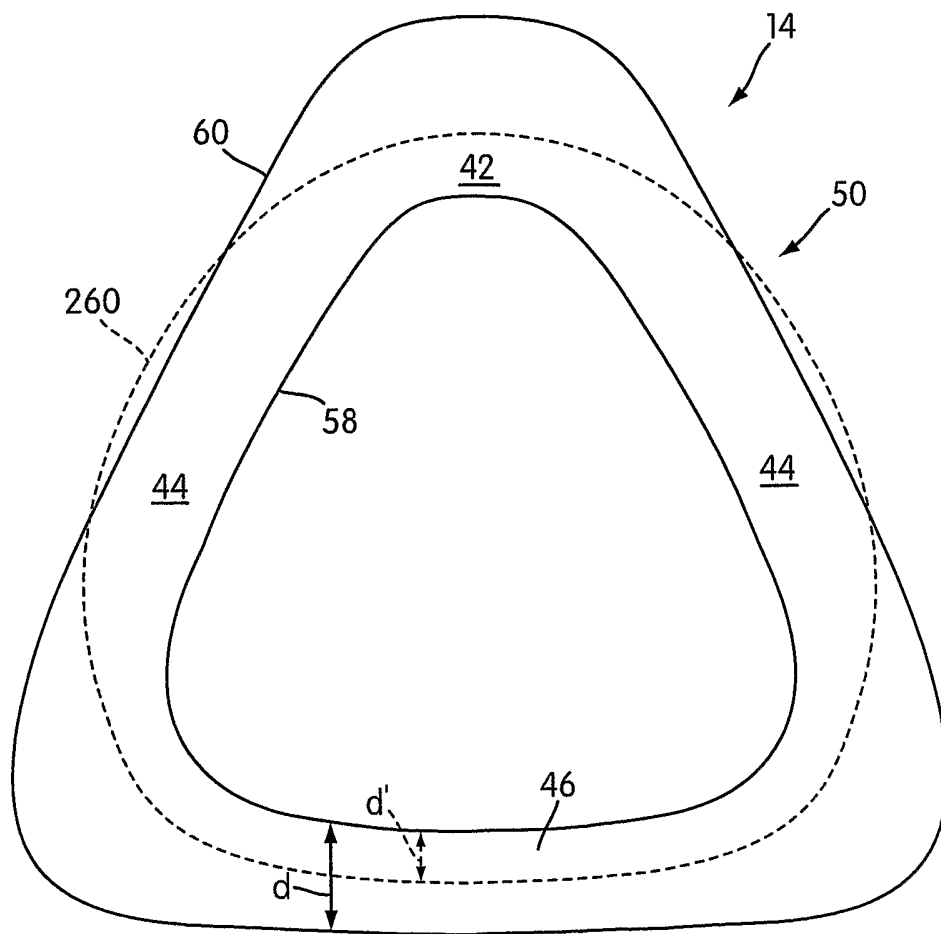


FIG. 12

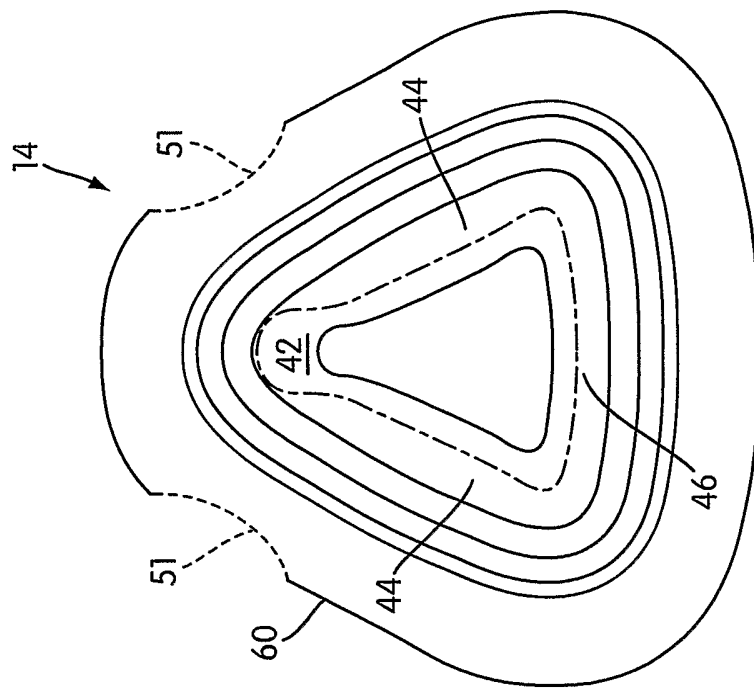


FIG. 12C

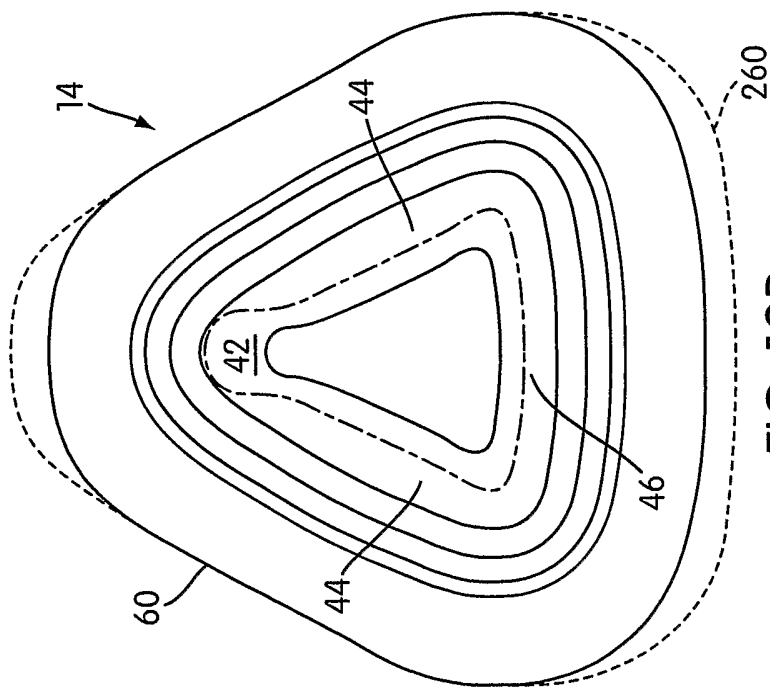


FIG. 12B

23/45

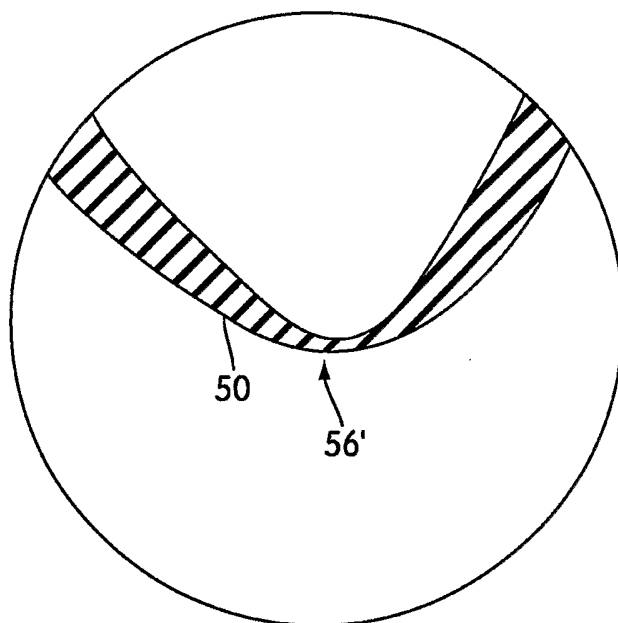


FIG. 13A

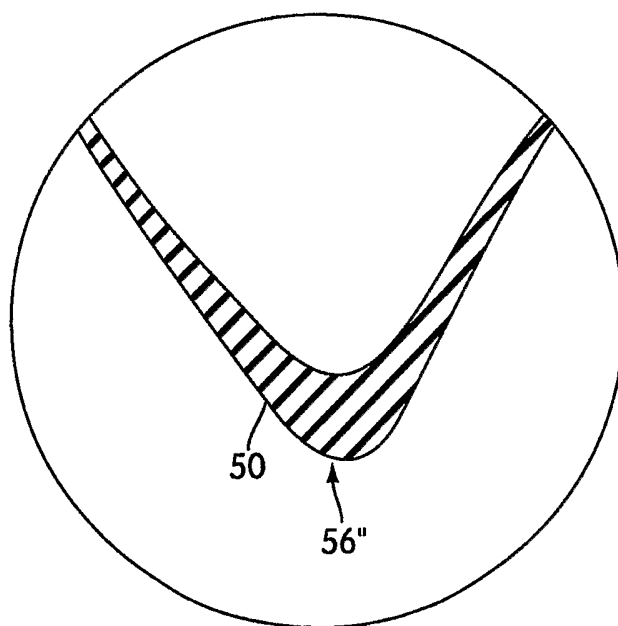


FIG. 13B

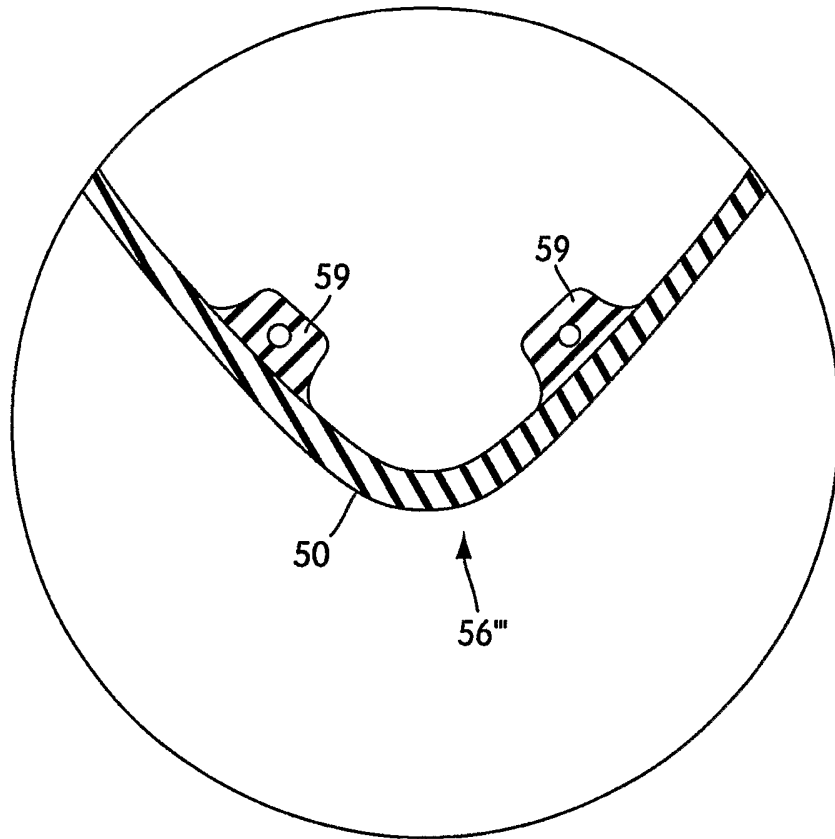


FIG. 13C

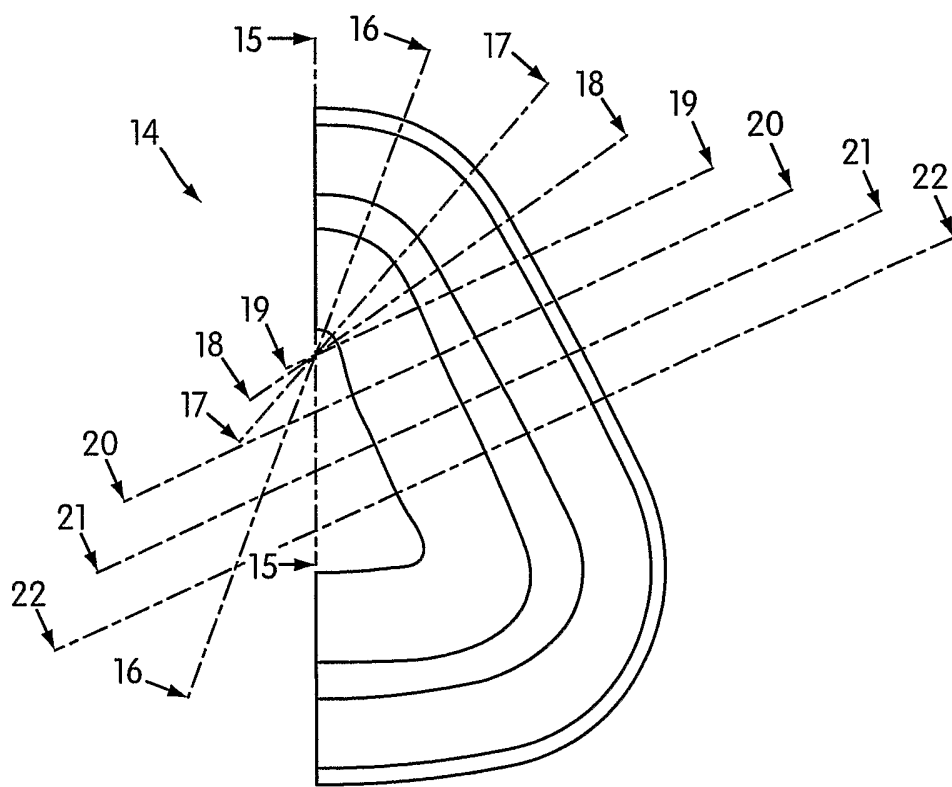


FIG. 14

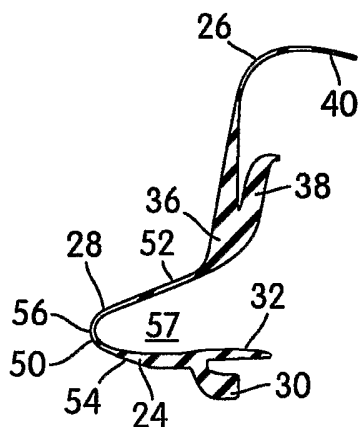


FIG. 15

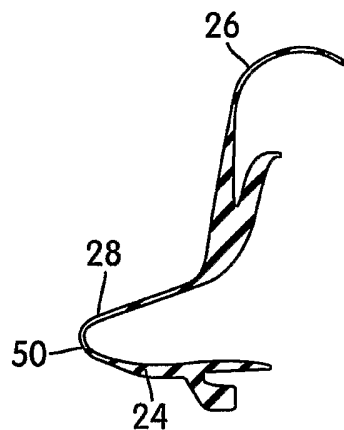


FIG. 16

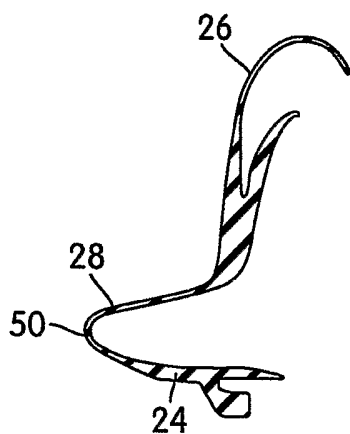


FIG. 17

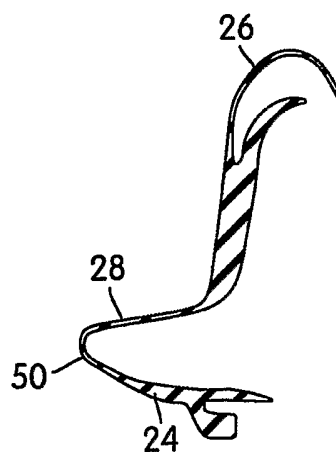


FIG. 18

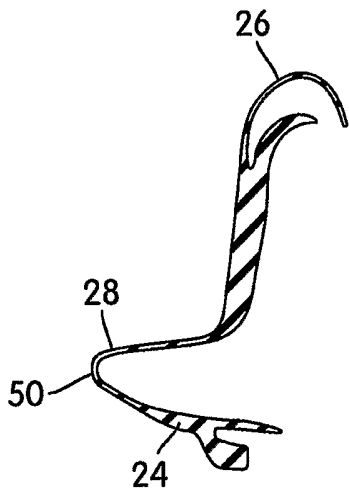


FIG. 19

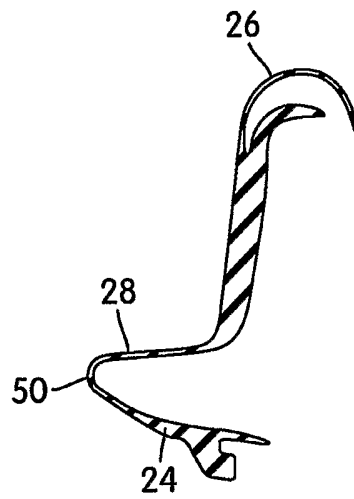


FIG. 20

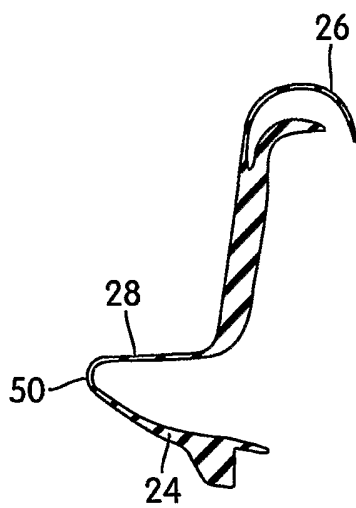


FIG. 21

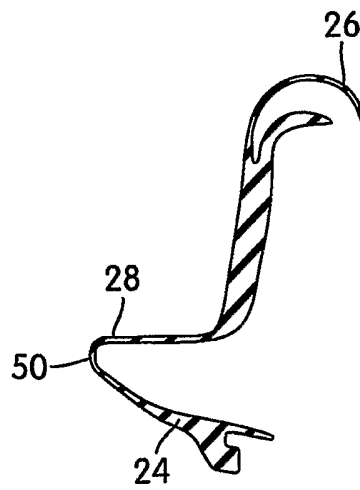


FIG. 22

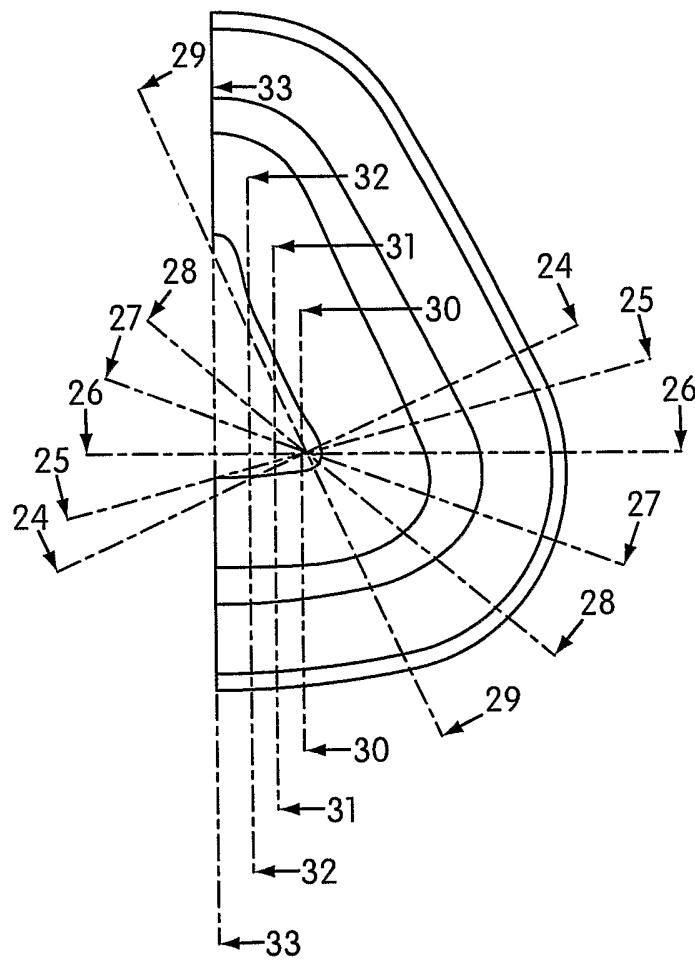


FIG. 23

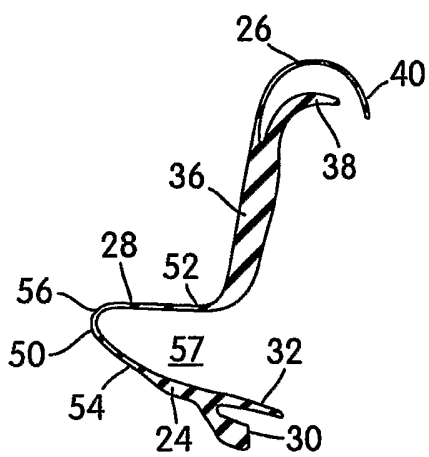


FIG. 24

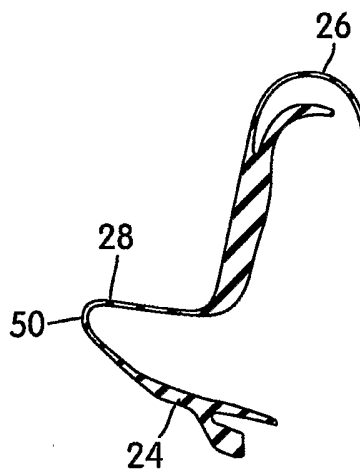


FIG. 25

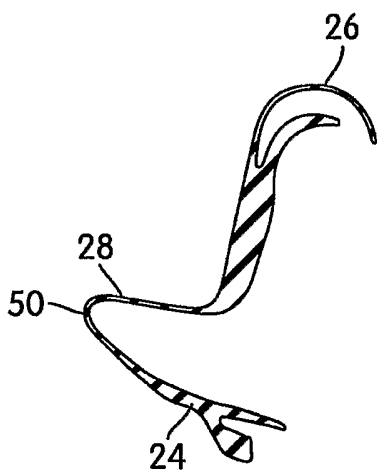


FIG. 26

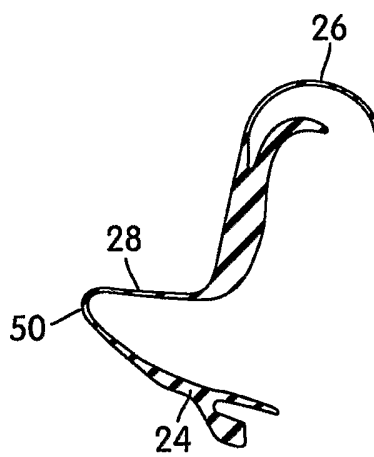


FIG. 27

30/45

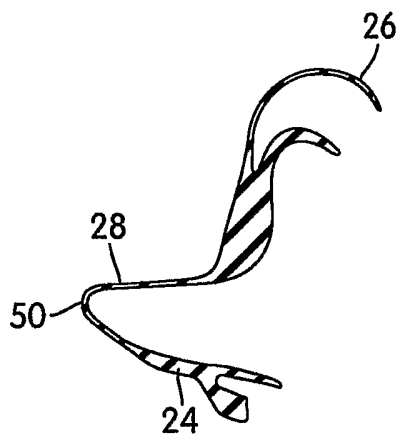


FIG. 28

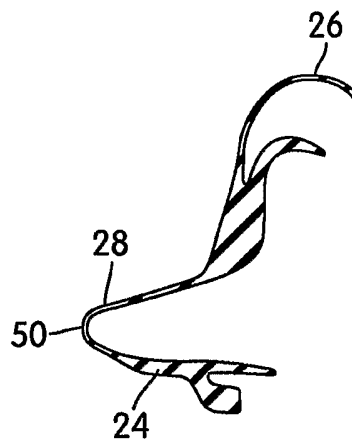


FIG. 29

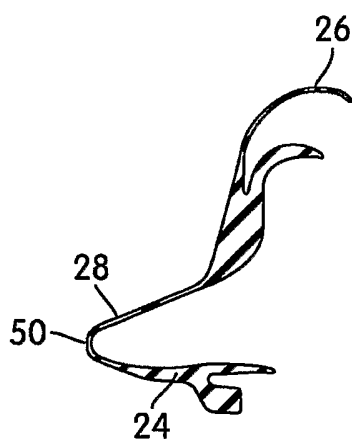


FIG. 30

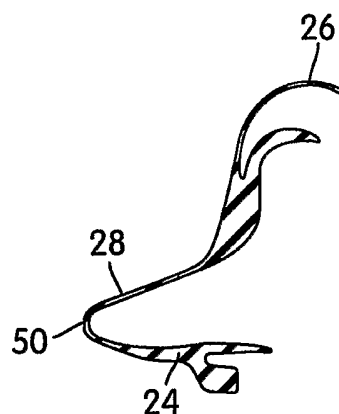


FIG. 31

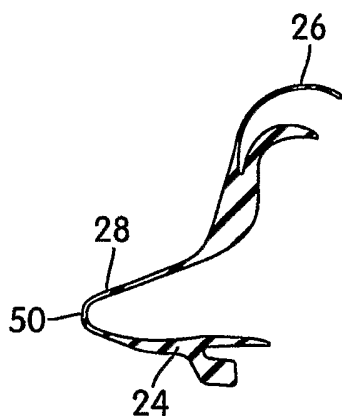


FIG. 32

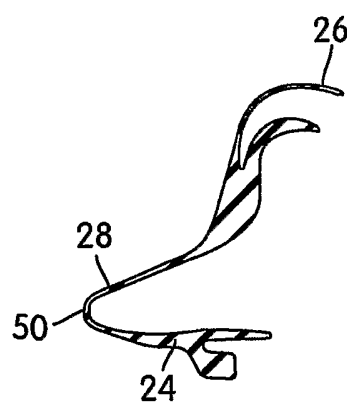


FIG. 33

31/45

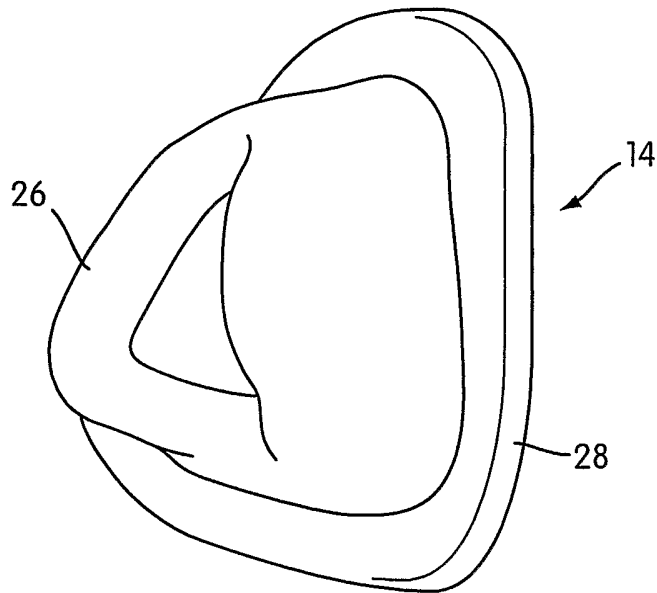


FIG. 34

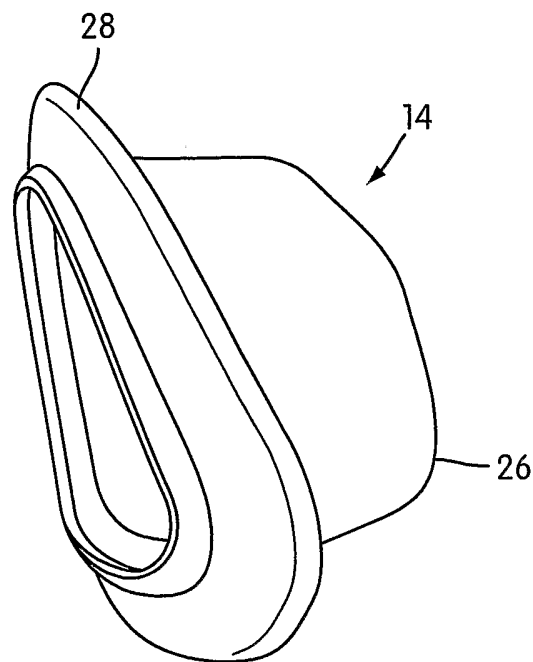


FIG. 35

32/45

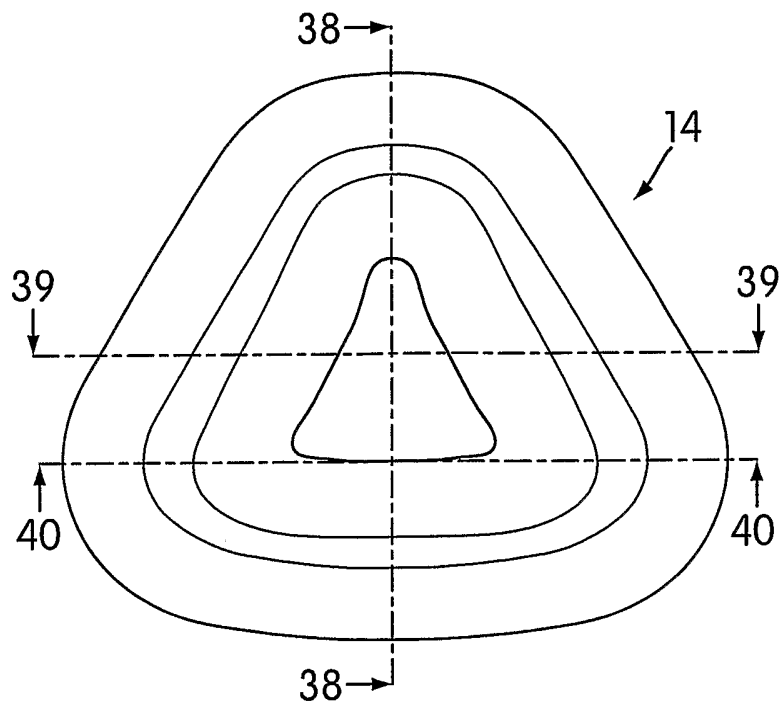


FIG. 36

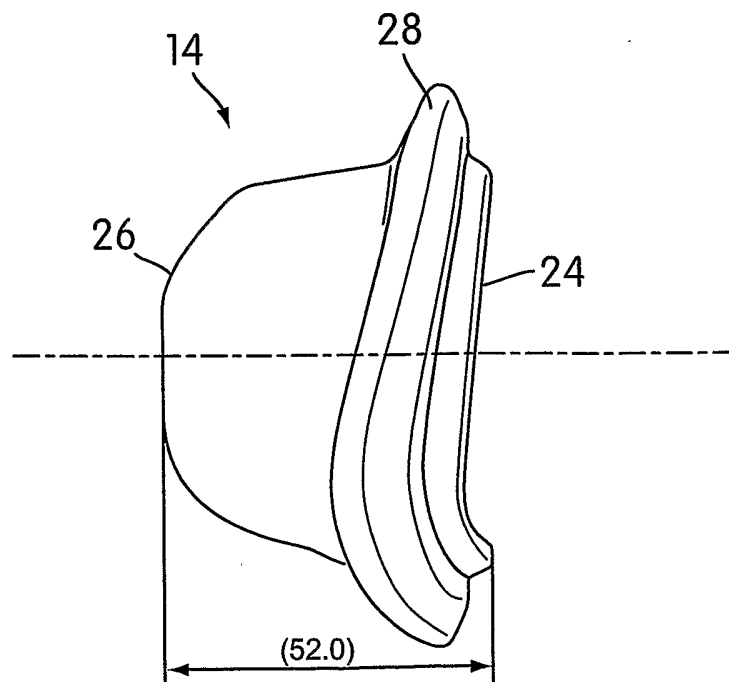


FIG. 37

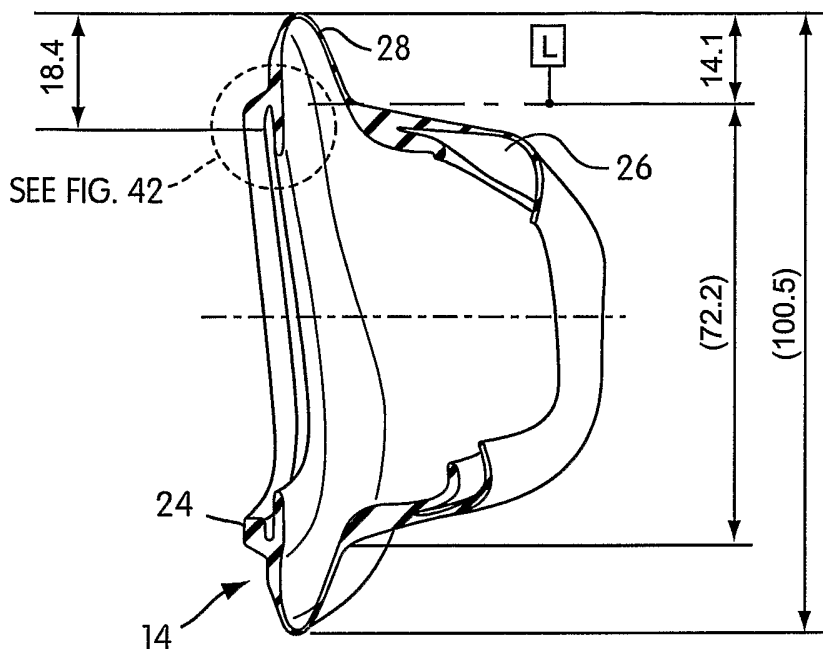


FIG. 38

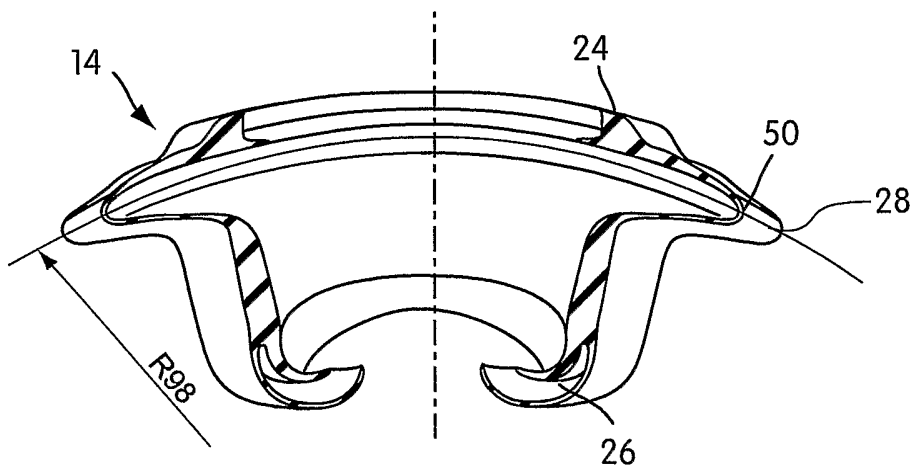


FIG. 39

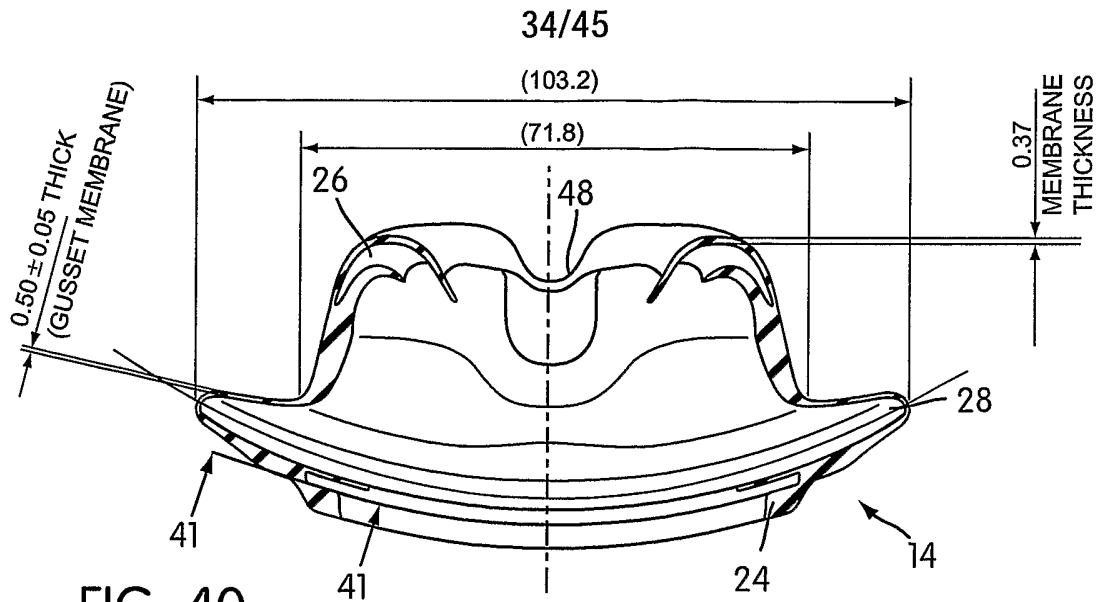


FIG. 40

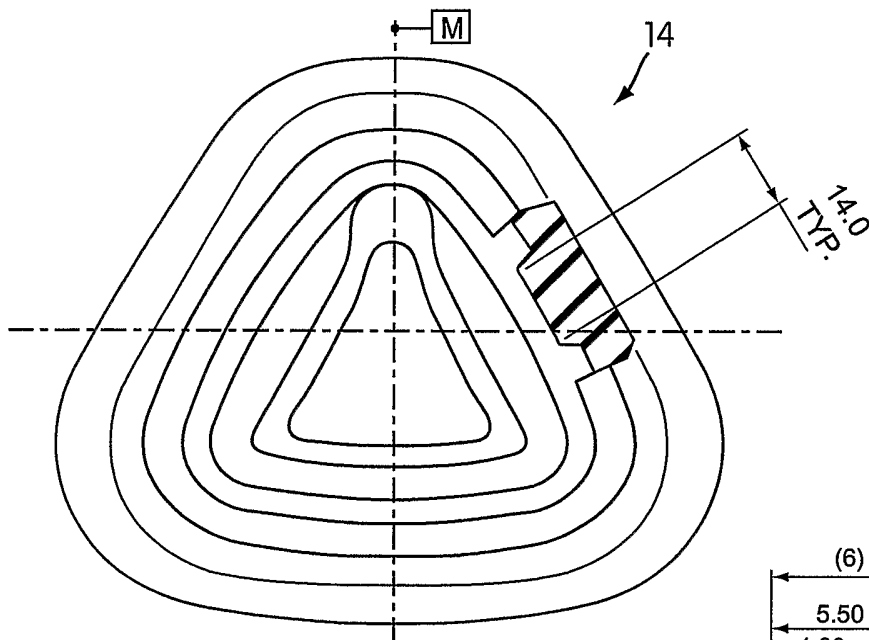


FIG. 41

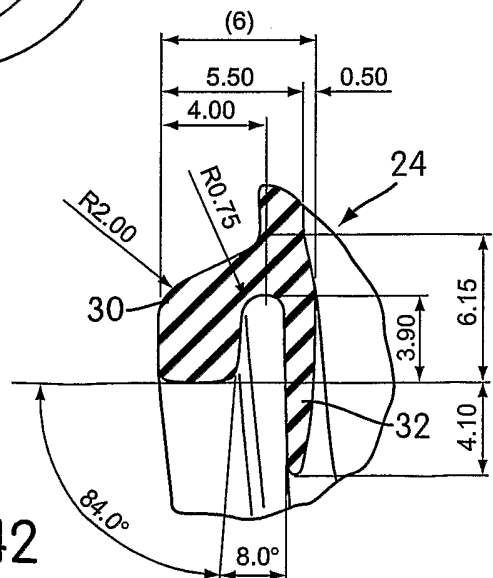


FIG. 42

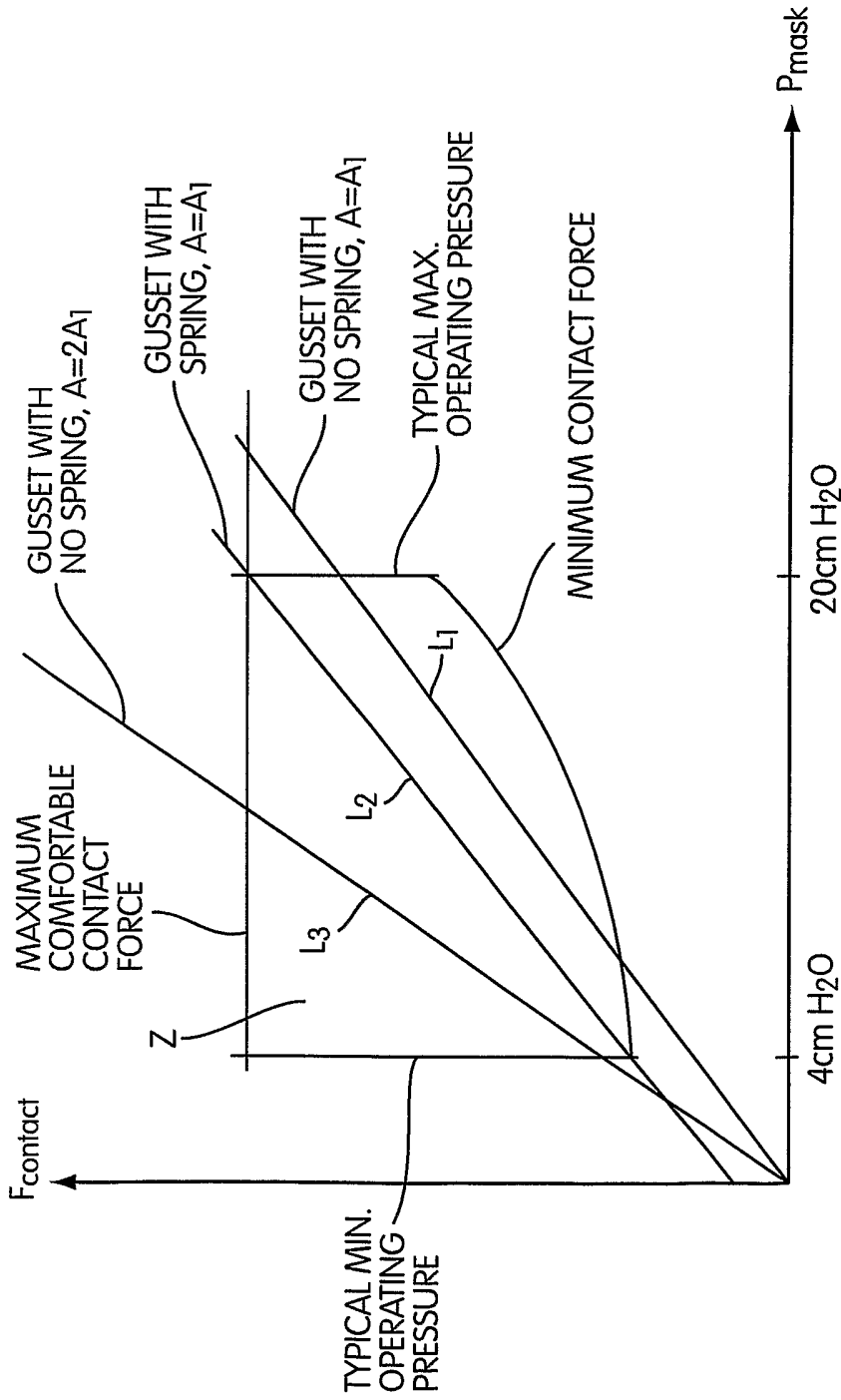


FIG. 43

Tailored Contact Force to keep within the zone for constant gusset extension

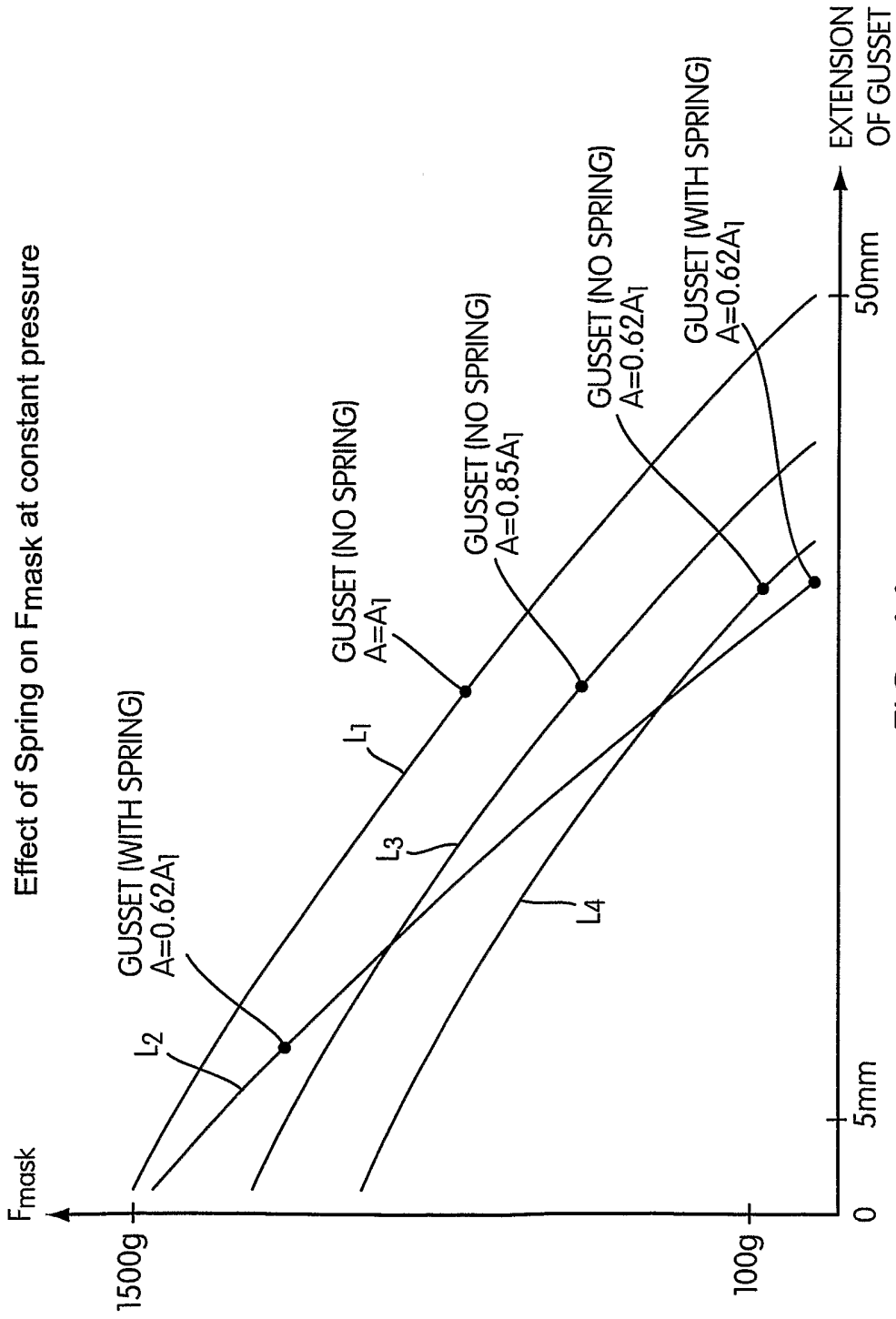


FIG. 44

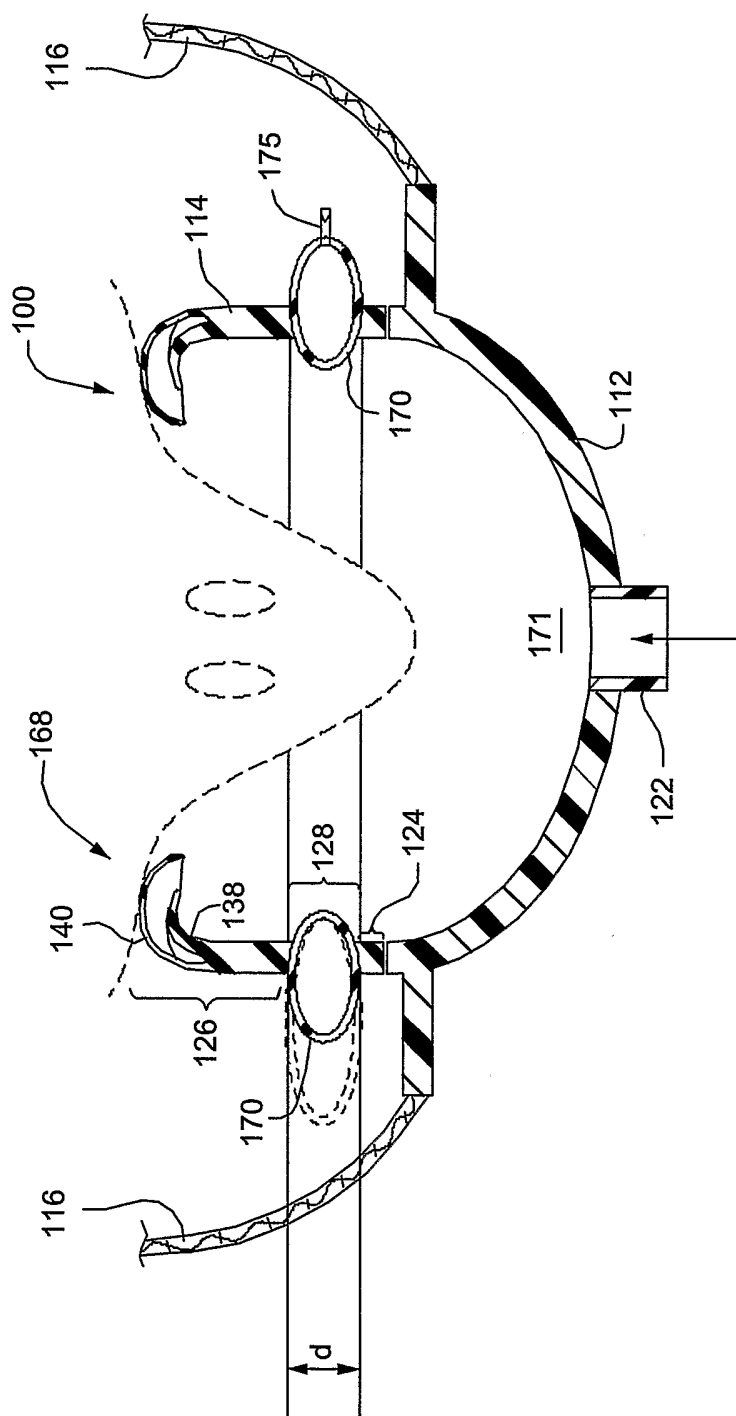


FIG. 45

38/45

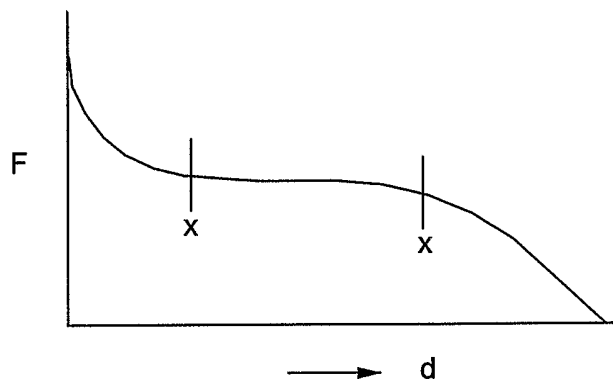


FIG. 46

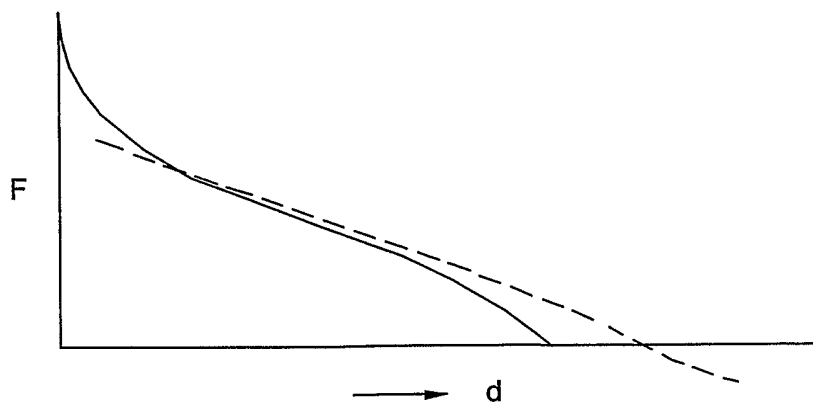


FIG. 47
(PRIOR ART)

39/45

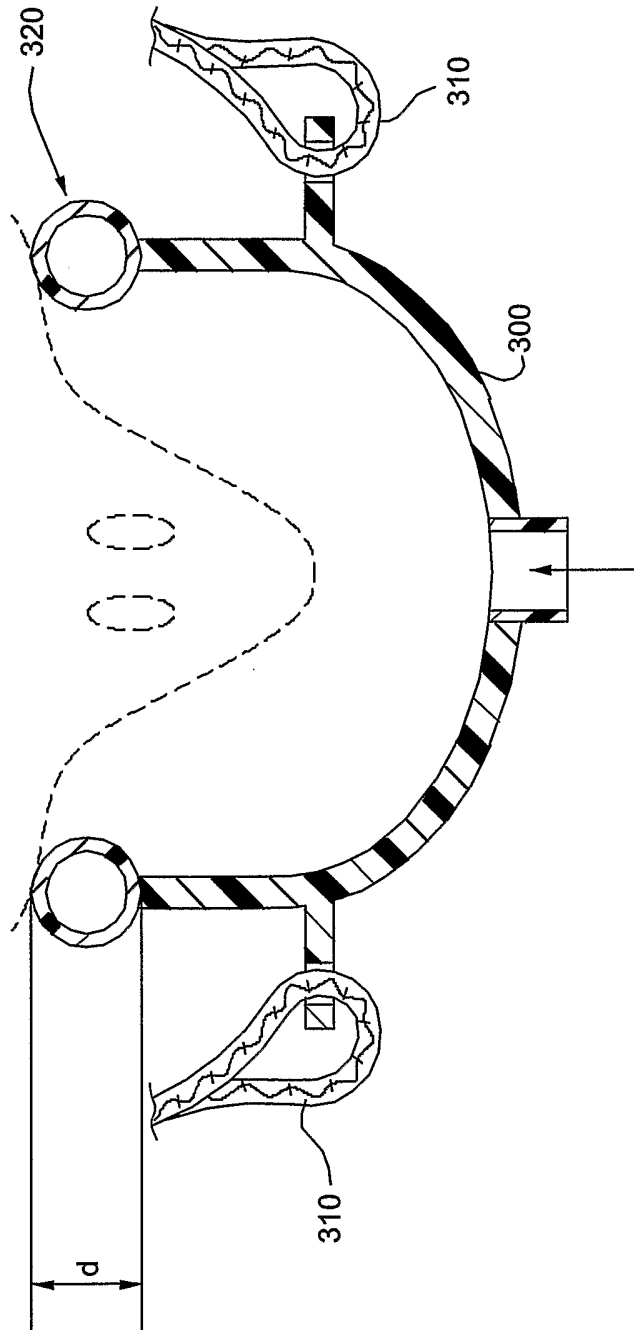


FIG. 47A
(PRIOR ART)

40/45

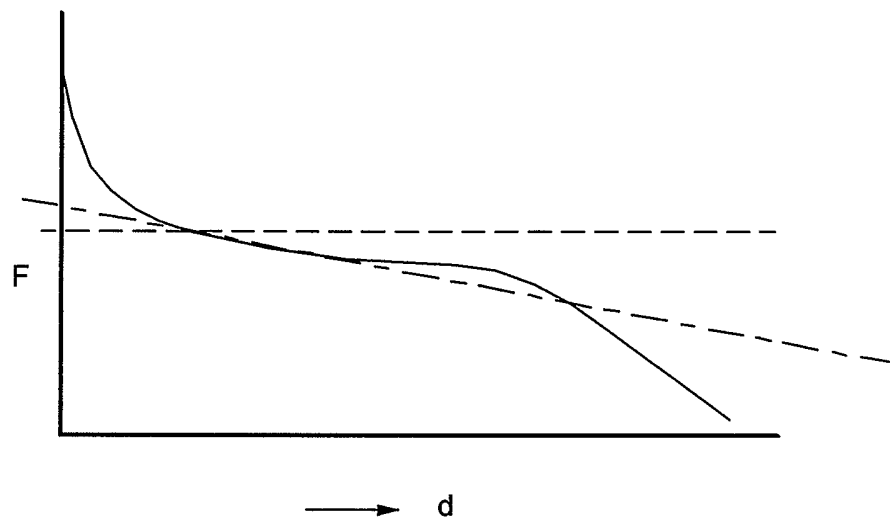


FIG. 48

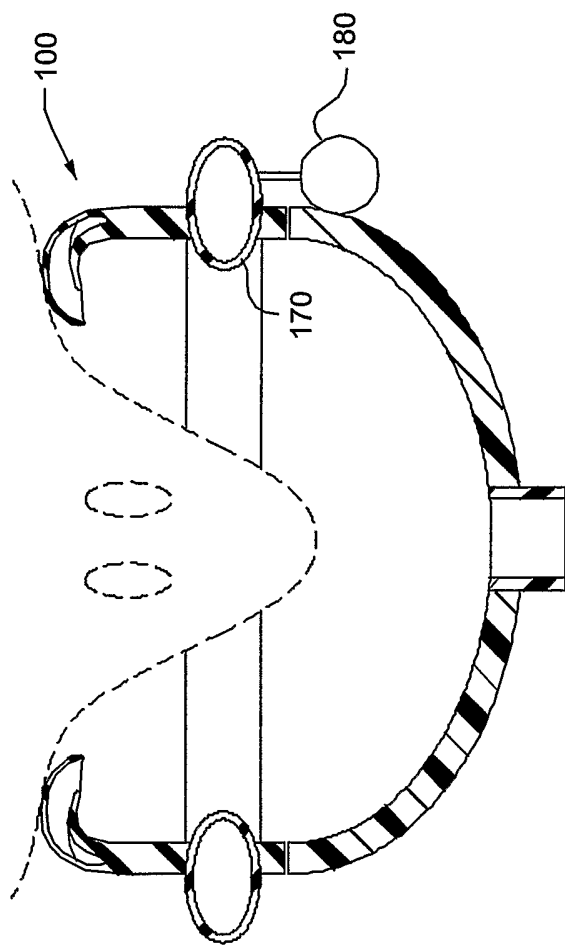


FIG. 49

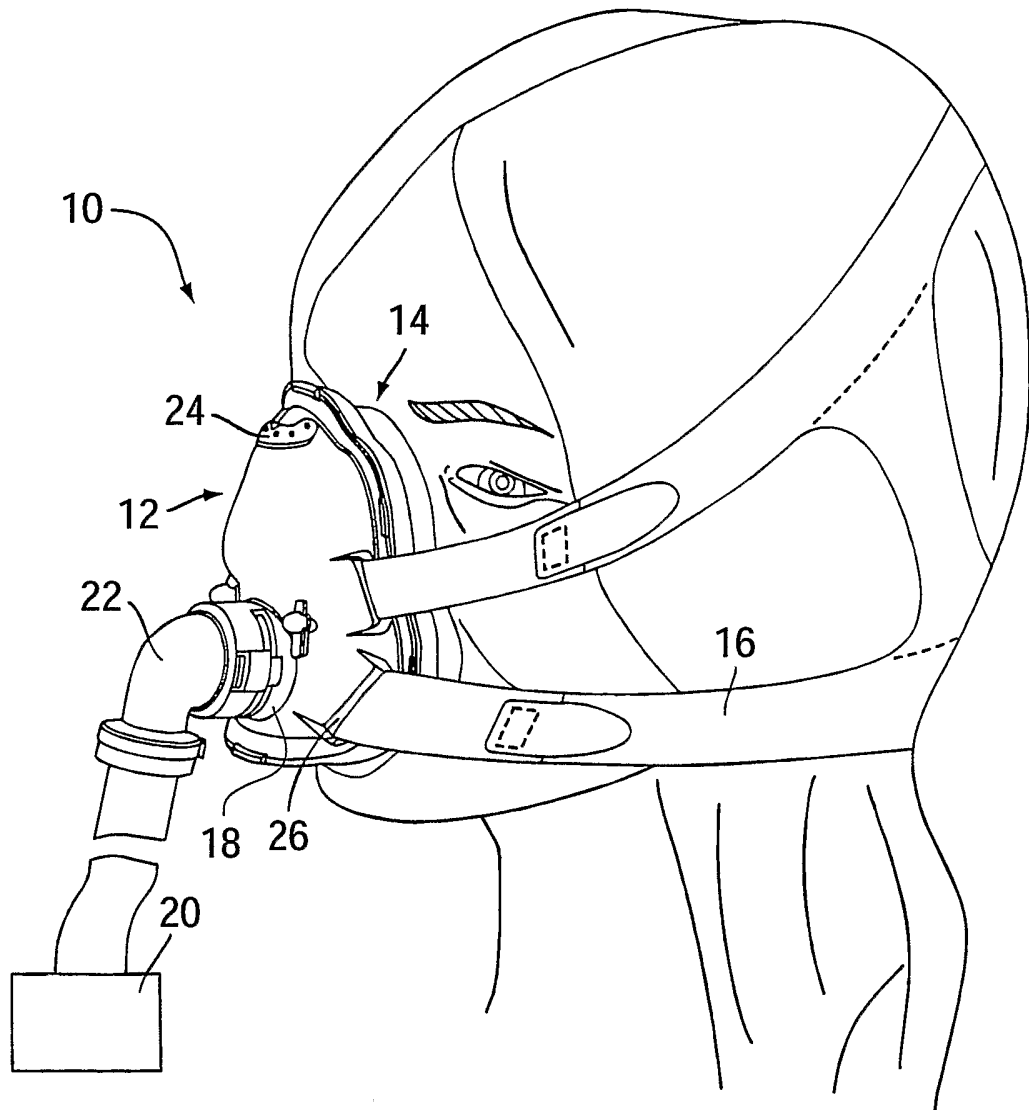


FIG. 50

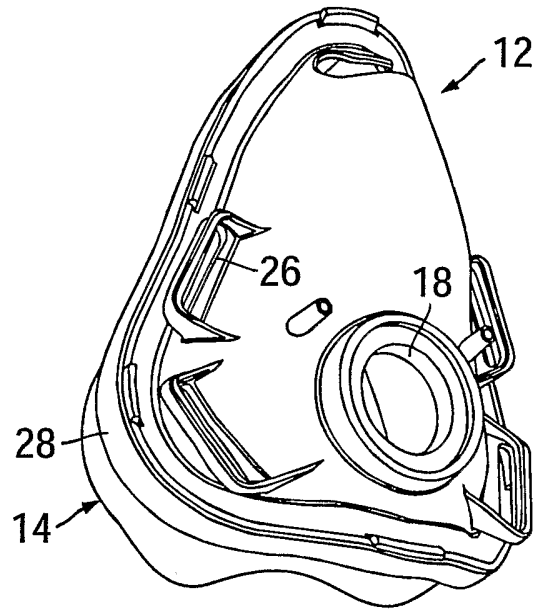


FIG. 51

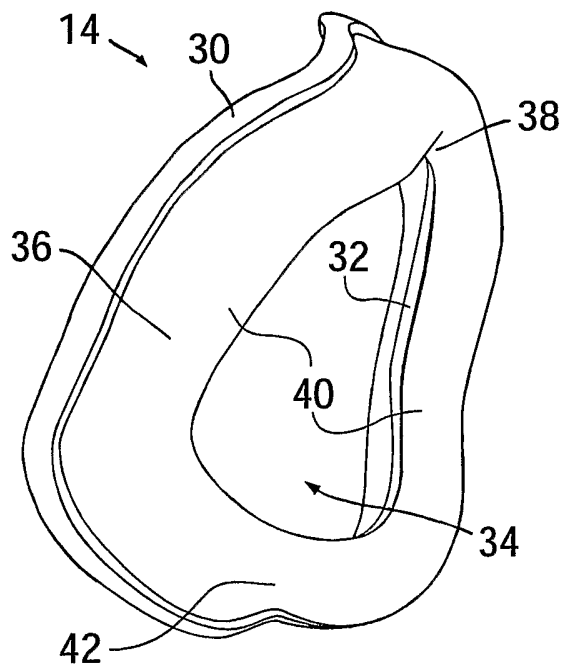


FIG. 52

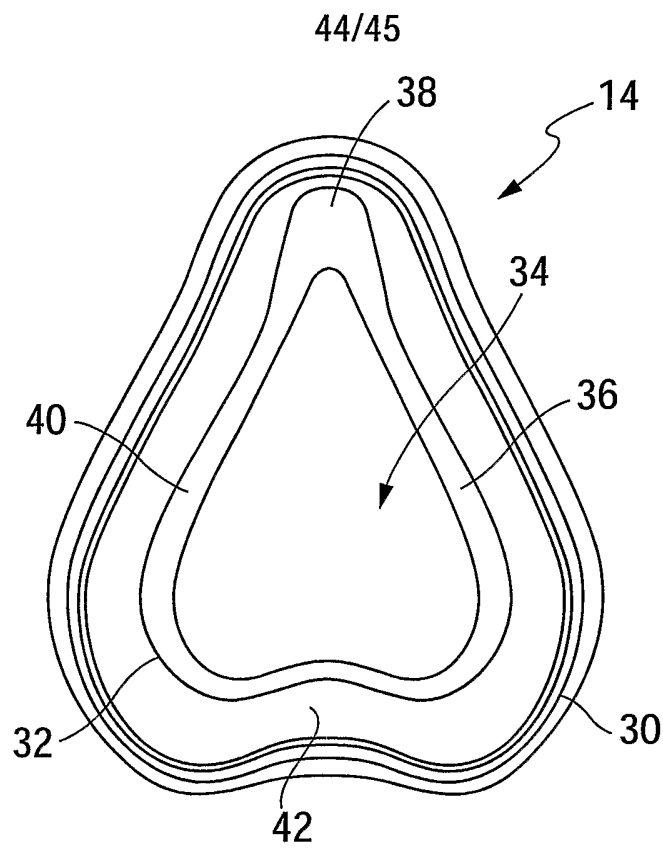


FIG. 53

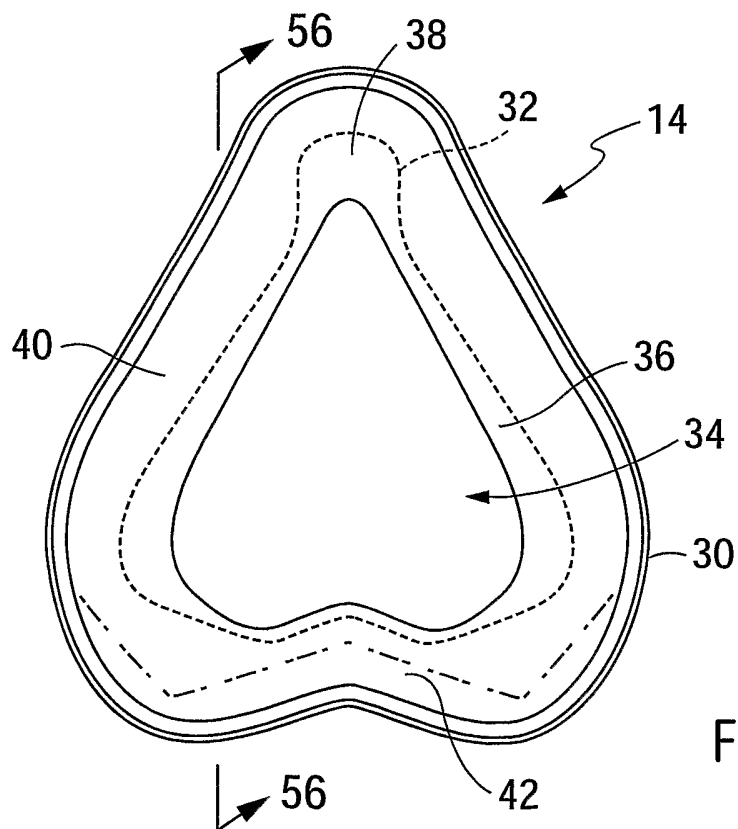


FIG. 54

45/45

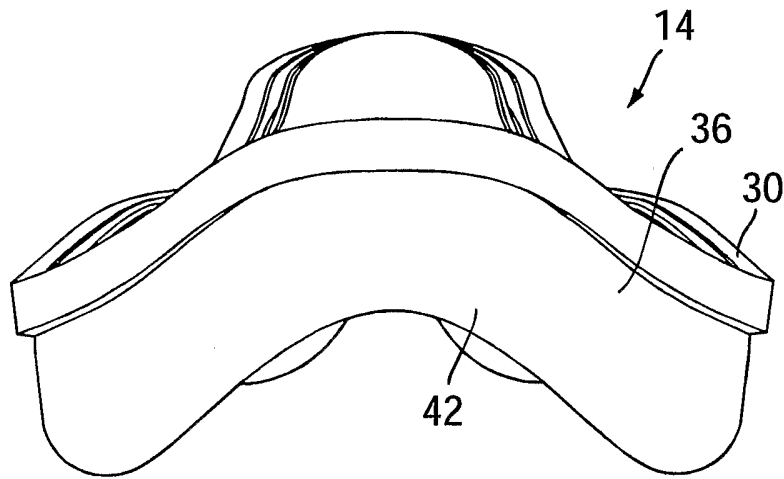


FIG. 55

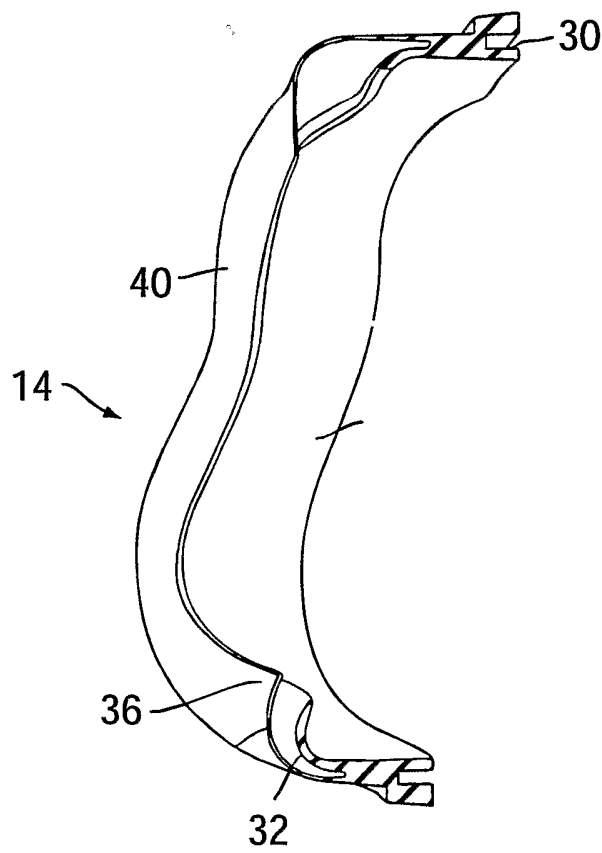


FIG. 56

INTERNATIONAL SEARCH REPORT

International application No.

PCT/AU03/01163

A. CLASSIFICATION OF SUBJECT MATTER

Int. Cl. ⁷: A61M 16/06, A62B 18/08

According to International Patent Classification (IPC) or to both national classification and IPC

B. FIELDS SEARCHED

Minimum documentation searched (classification system followed by classification symbols)

Documentation searched other than minimum documentation to the extent that such documents are included in the fields searched

Electronic data base consulted during the international search (name of data base and, where practicable, search terms used)
 DWPI and keywords (IPC A61M A62B A61H, breath respir inspir inhal seal cushion pad gusset bellow fold mask interface force pressure distribut cuff and like terms)

C. DOCUMENTS CONSIDERED TO BE RELEVANT

Category*	Citation of document, with indication, where appropriate, of the relevant passages	Relevant to claim No.
X	WO 01/62326 A1 (MAP MEDIZINTECHNIK FUR ARZT UND PATIENT GMBH & CO KG) 30 August 2001 Figure 6 and corresponding description	1-36
Y	Figure 6 and corresponding description	1-36
Y	WO 01/97893 A1 (RESMED LTD et al) 27 December 2001	1-36
X	US 5349949 A (SCHEGERIN) 27 September 1994 Column 2 line 62 - column 4 line 52	1-36
X	EP 303090 B1 (SGE SOCIETA GENERALE ELASTOMERI SPA) 22 April 1992 drawings	1-36

Further documents are listed in the continuation of Box C See patent family annex

* Special categories of cited documents: "A" document defining the general state of the art which is not considered to be of particular relevance "E" earlier application or patent but published on or after the international filing date "L" document which may throw doubts on priority claim(s) or which is cited to establish the publication date of another citation or other special reason (as specified) "O" document referring to an oral disclosure, use, exhibition or other means "P" document published prior to the international filing date but later than the priority date claimed	"T" later document published after the international filing date or priority date and not in conflict with the application but cited to understand the principle or theory underlying the invention "X" document of particular relevance; the claimed invention cannot be considered novel or cannot be considered to involve an inventive step when the document is taken alone "Y" document of particular relevance; the claimed invention cannot be considered to involve an inventive step when the document is combined with one or more other such documents, such combination being obvious to a person skilled in the art "&" document member of the same patent family	
--	--	--

Date of the actual completion of the international search 23 October 2003	Date of mailing of the international search report 4 NOV 2003
Name and mailing address of the ISA/AU AUSTRALIAN PATENT OFFICE PO BOX 200, WODEN ACT 2606, AUSTRALIA E-mail address: pct@ipaustralia.gov.au Facsimile No. (02) 6285 3929	Authorized officer JAGDISH BOKIL Telephone No : (02) 6283 2371

INTERNATIONAL SEARCH REPORT

International application No.

PCT/AU03/01163

C (Continuation). DOCUMENTS CONSIDERED TO BE RELEVANT		
Category*	Citation of document, with indication, where appropriate, of the relevant passages	Relevant to claim No.
A	US 2706983 A (MATHESON et al) 26 April 1955	1-36
X	US 5592938 A (SCARBERRY et al) 14 January 1997 Figure 5; Column 7 lines 39-43	65-70
X	US 4971051 A (TOFFOLON) 20 November 1990 Figure 2	65-70

INTERNATIONAL SEARCH REPORT

International application No.

PCT/AU03/01163

Box I Observations where certain claims were found unsearchable (Continuation of item 2 of first sheet)

This international search report has not been established in respect of certain claims under Article 17(2)(a) for the following reasons:

1. Claims Nos :
because they relate to subject matter not required to be searched by this Authority, namely:

2. Claims Nos :
because they relate to parts of the international application that do not comply with the prescribed requirements to such an extent that no meaningful international search can be carried out, specifically:

3. Claims Nos :
because they are dependent claims and are not drafted in accordance with the second and third sentences of Rule 6.4(a)

Box II Observations where unity of invention is lacking (Continuation of item 3 of first sheet)

This International Searching Authority found multiple inventions in this international application, as follows:

See extra sheet

1. As all required additional search fees were timely paid by the applicant, this international search report covers all searchable claims
2. As all searchable claims could be searched without effort justifying an additional fee, this Authority did not invite payment of any additional fee.
3. As only some of the required additional search fees were timely paid by the applicant, this international search report covers only those claims for which fees were paid, specifically claims Nos.:

4. No required additional search fees were timely paid by the applicant. Consequently, this international search report is restricted to the invention first mentioned in the claims; it is covered by claims Nos.: **1-36, 65-70**

- Remark on Protest
- The additional search fees were accompanied by the applicant's protest.
- No protest accompanied the payment of additional search fees.

INTERNATIONAL SEARCH REPORT

International application No.

PCT/AU03/01163

Supplemental Box

(To be used when the space in any of Boxes I to VIII is not sufficient)

Continuation of Box No: II

The international application does not comply with the requirements of unity of invention because it does not relate to one invention or to a group of inventions so linked as to form a single general inventive concept. In coming to this conclusion the International Searching Authority has found that *prima facie*, there appear to be at least TWO inventions as follows:

1. Claims 1, 26, 27, 30, 32, 34, 35, 65, 66 and the dependent claims are directed to a cushion, mask assembly or a method for improving the comfort of a mask assembly having means (as defined in each independent claim) to redistribute the components of the contact force of a cushion on the patient's face. It is considered that *means to redistribute the components of the contact force of a cushion on the patient's face* comprises a first "special technical feature".
2. Claims 37, 57 and the dependent claims are directed to a respiratory mask or a cushion for a respiratory mask having a cushion sealing portion including a nasal seal section, side seal sections and a contoured chin seal section. It is considered that *the nasal seal, side seal and contoured chin seal sections of the cushion sealing portion* comprises a second "special technical feature".

Since the abovementioned groups of claims do not share any of the technical features identified, a "technical relationship" between the inventions, as defined in PCT rule 13.2 does not exist. Accordingly the international application does not relate to one invention or to a single inventive concept, a priori.

Since the claim groups are characterised by inventive concepts that cannot be effectively searched as part of one search, they cannot be covered by a single search fee.

INTERNATIONAL SEARCH REPORT
Information on patent family members

International application No.
PCT/AU03/01163

This Annex lists the known "A" publication level patent family members relating to the patent documents cited in the above-mentioned international search report. The Australian Patent Office is in no way liable for these particulars which are merely given for the purpose of information.

Patent Document Cited in Search Report	Patent Family Member			
WO 0162326	AU 34250/00	EP 1259279		
WO 0197893	AU 67133/01 US 2003089372	EP 1292351	US 2002029780	
US 5349949	DE 4233448	FR 2682043	GB 2260084	
EP 0303090	CH 671702			
US 2706983	NONE			
US 5592938	US 5222478	US 5343878		
US 4971051	NONE			
END OF ANNEX				