

[54] CHAIR

[76] Inventor: **Richard N. Steinberger**, 106 7th Ave.,  
Brooklyn, N.Y. 11215

[\*\*] Term: **14 Years**

[21] Appl. No.: **111,755**

[22] Filed: **Jan. 14, 1980**

[51] Int. Cl. .... **D6-01**

[52] U.S. Cl. .... **D6/67; D6/73**

[58] Field of Search .... **D6/67-78**

[56] **References Cited**

**U.S. PATENT DOCUMENTS**

- D. 127,888 6/1941 Gedris ..... D6/41
- D. 239,992 5/1976 Gabourie ..... D6/67 X

- D. 249,834 10/1978 Gageby ..... D6/67 X
- 3,450,435 6/1969 Stephens ..... D6/67 X

**OTHER PUBLICATIONS**

Design Catalog, 6-1977, p. 76, Chair by Dysthe.

*Primary Examiner*—Bruce W. Dunkins

*Attorney, Agent, or Firm*—Gregory J. Battersby

[57] **CLAIM**

The ornamental design for a chair, as shown and described.

**DESCRIPTION**

FIG. 1 is a side perspective view illustrating the chair of the present invention;

FIG. 2 is a rear perspective view thereof;

FIG. 3 is a side view thereof; and

FIG. 4 is a rear view thereof.

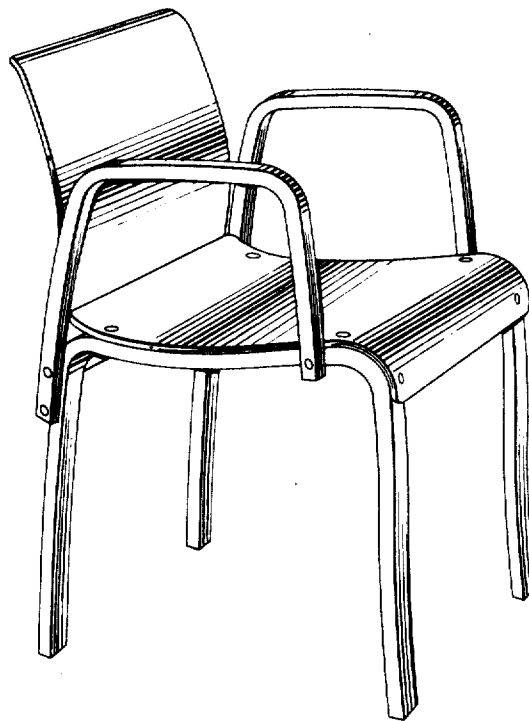


Fig. 1.

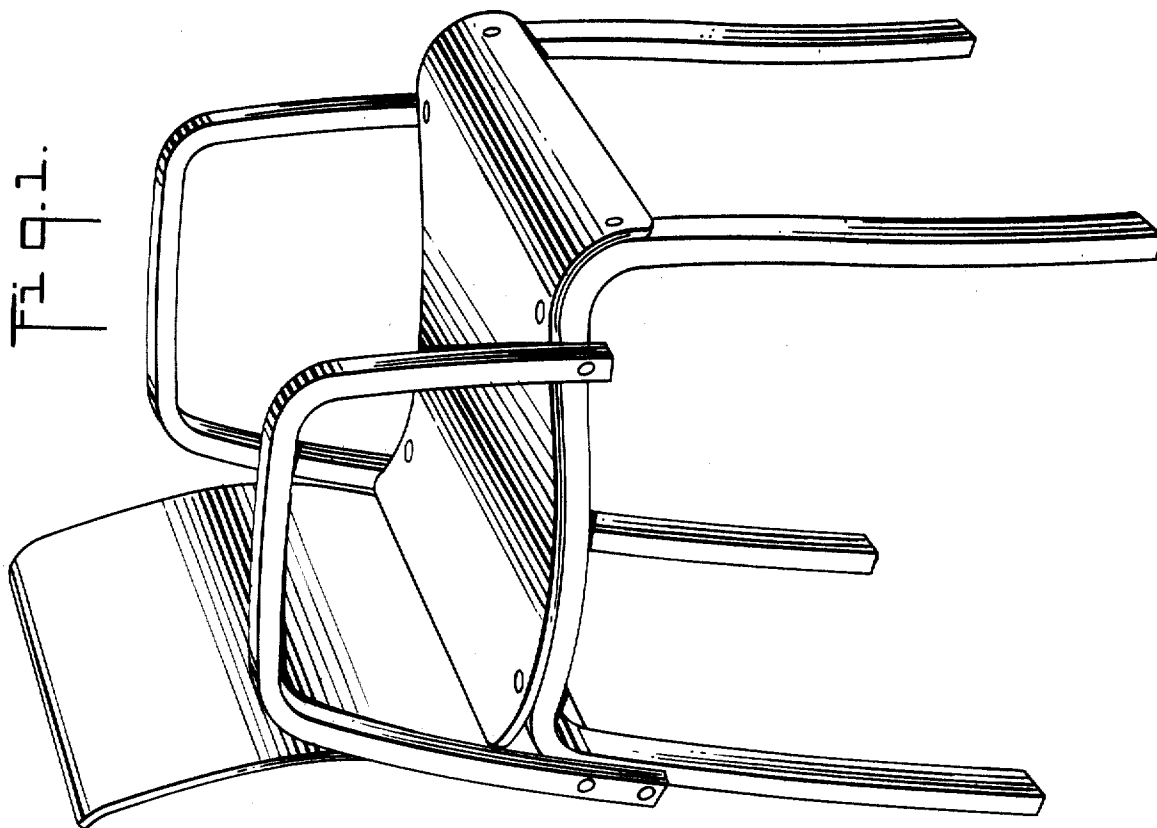


Fig. 2.

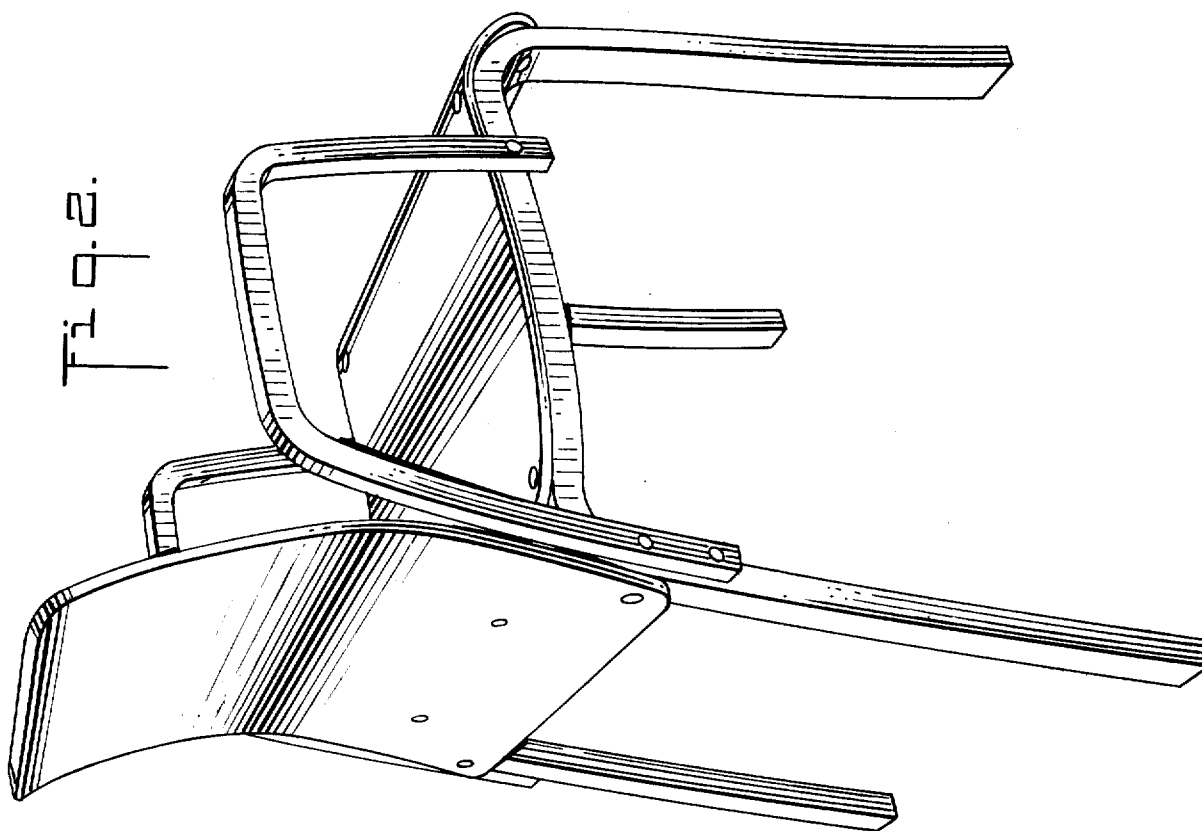


Fig. 3.

Fig. 4.

