



US00D580719S

(12) **United States Design Patent**  
**Baxter**

(10) **Patent No.:** **US D580,719 S**

(45) **Date of Patent:** **\*\* Nov. 18, 2008**

(54) **STRING TRIMMER**

(75) Inventor: **Mark Baxter**, Newcastle-upon-Tyne  
(GB)

(73) Assignee: **Black & Decker Inc.**, Newark, DE (US)

(\*\*) Term: **14 Years**

(21) Appl. No.: **29/267,068**

(22) Filed: **Oct. 4, 2006**

(30) **Foreign Application Priority Data**

Jun. 14, 2006 (EM) ..... 000544309

(51) **LOC (8) Cl.** ..... **08-01**

(52) **U.S. Cl.** ..... **D8/8**

(58) **Field of Classification Search** ..... D8/8,  
D8/9; 30/276, 347; 56/12.7

See application file for complete search history.

(56) **References Cited**

**U.S. PATENT DOCUMENTS**

D380,129 S *	6/1997	Meisner et al. ....	D8/8
D446,699 S *	8/2001	Marshall et al. ....	D8/8
D463,722 S *	10/2002	Robson .....	D8/8
D473,114 S *	4/2003	Van Wambeke et al. ....	D8/8
D479,677 S *	9/2003	Van Wambeke et al. ....	D8/8
D483,236 S *	12/2003	Martin et al. ....	D8/8
D547,143 S *	7/2007	Evans et al. ....	D8/8

D548,029 S *	8/2007	Evans et al. ....	D8/8
D551,921 S *	10/2007	Houghton .....	D8/8
D552,436 S *	10/2007	Stratford .....	D8/8

\* cited by examiner

*Primary Examiner*—Holly H. Baynham

*Assistant Examiner*—Sheryl Lane

(74) *Attorney, Agent, or Firm*—John Yun; Bruce S. Shapiro;  
Wesley Muller

(57) **CLAIM**

The ornamental design for a string trimmer, as shown and described.

**DESCRIPTION**

FIG. 1 is a perspective view of a string trimmer showing my new design.

FIG. 2 is a right side view of a string trimmer according to FIG. 1.

FIG. 3 is a left side view of a string trimmer according to FIG. 1.

FIG. 4 is a front view of a string trimmer according to FIG. 1.

FIG. 5 is a rear view of a string trimmer according to FIG. 1.

FIG. 6 is a top view of a string trimmer according to FIG. 1; and,

FIG. 7 is a bottom view of a string trimmer according to FIG. 1.

**1 Claim, 5 Drawing Sheets**



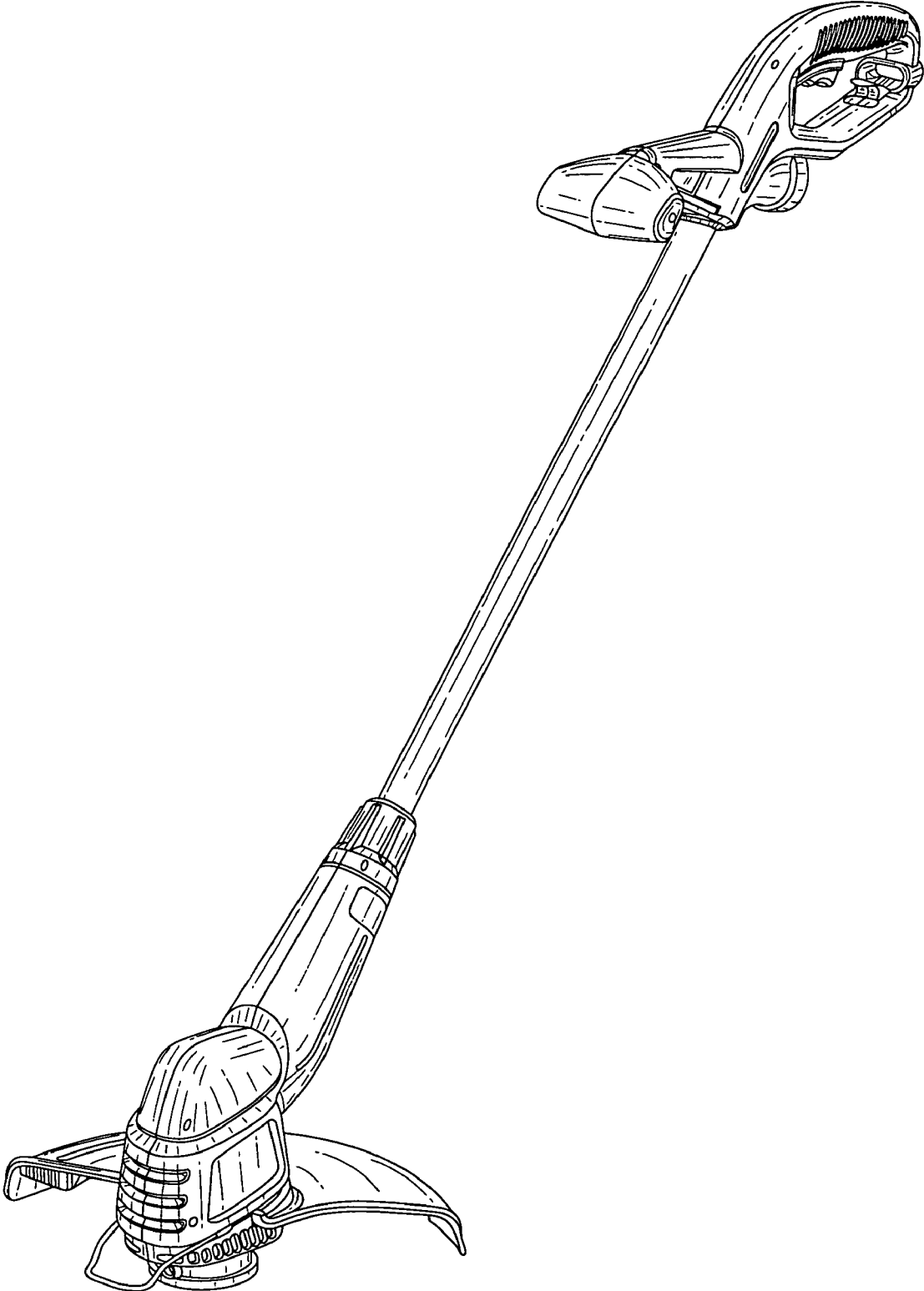


FIG. 1

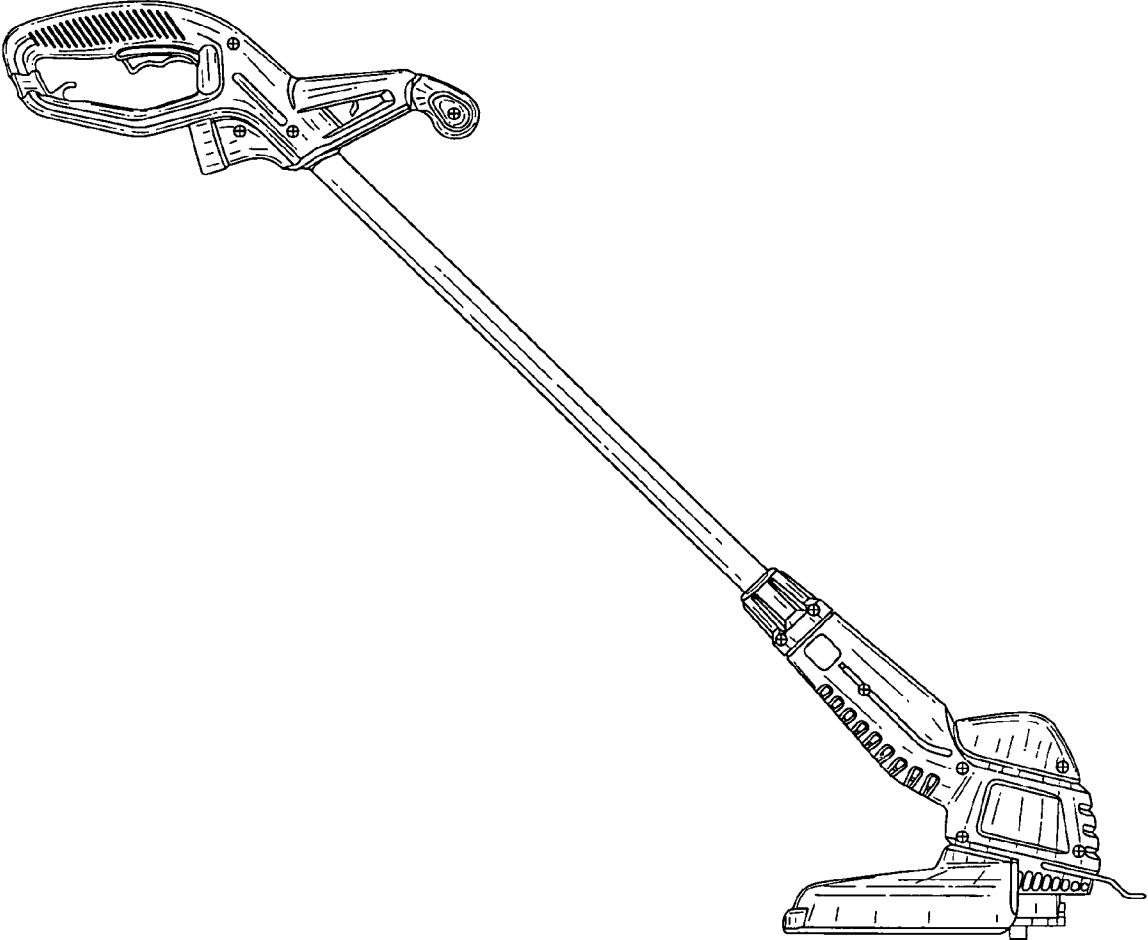


FIG. 2

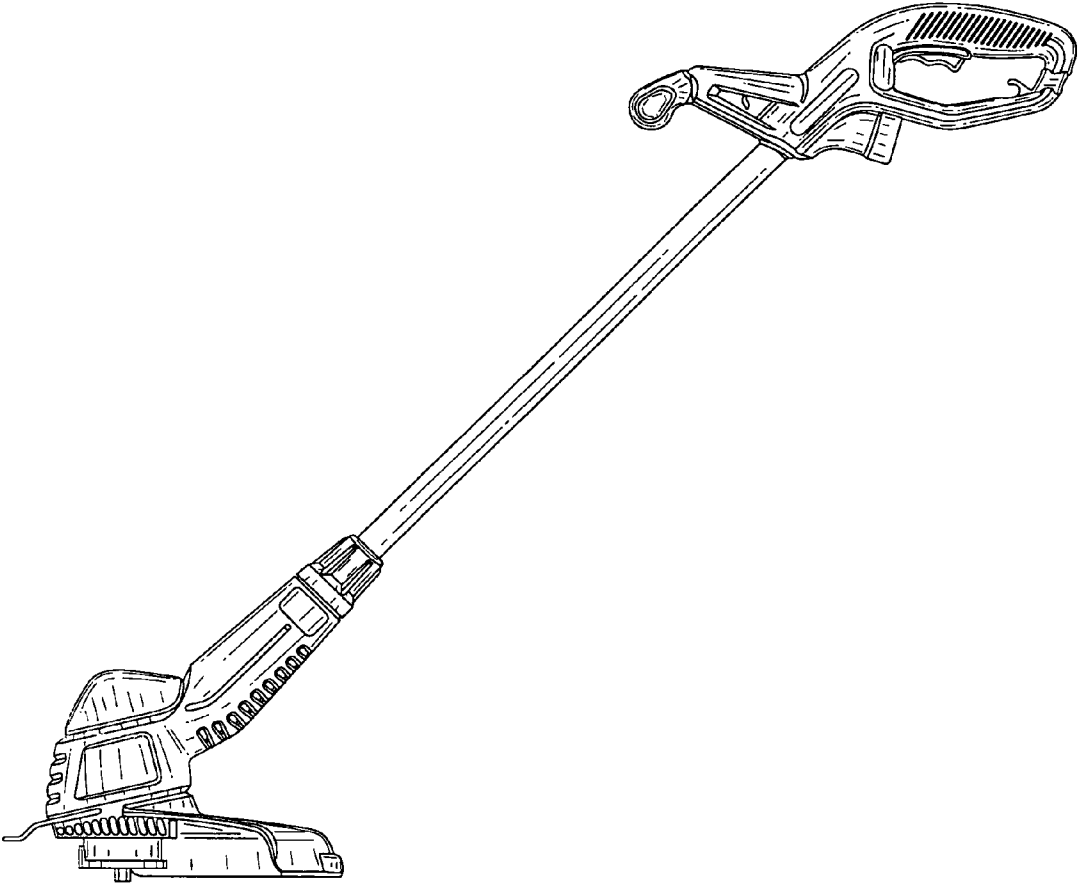


FIG. 3

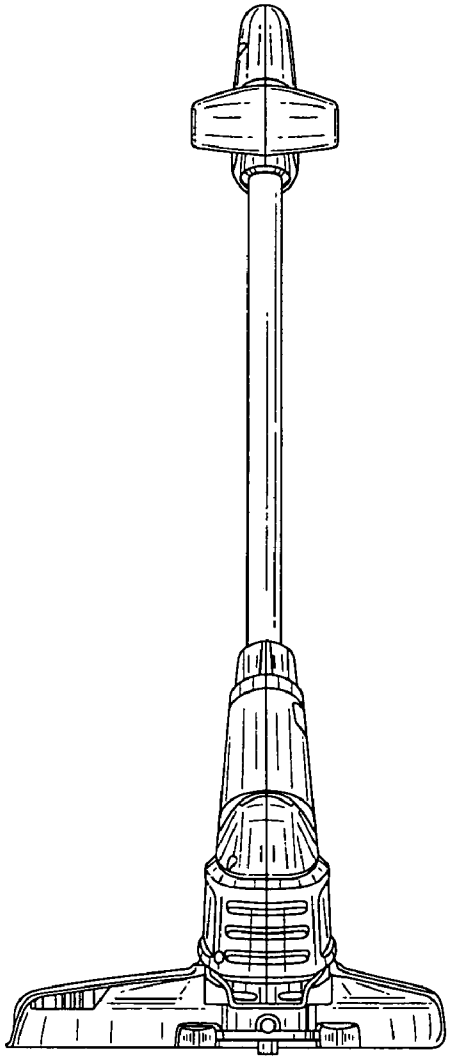


FIG. 4

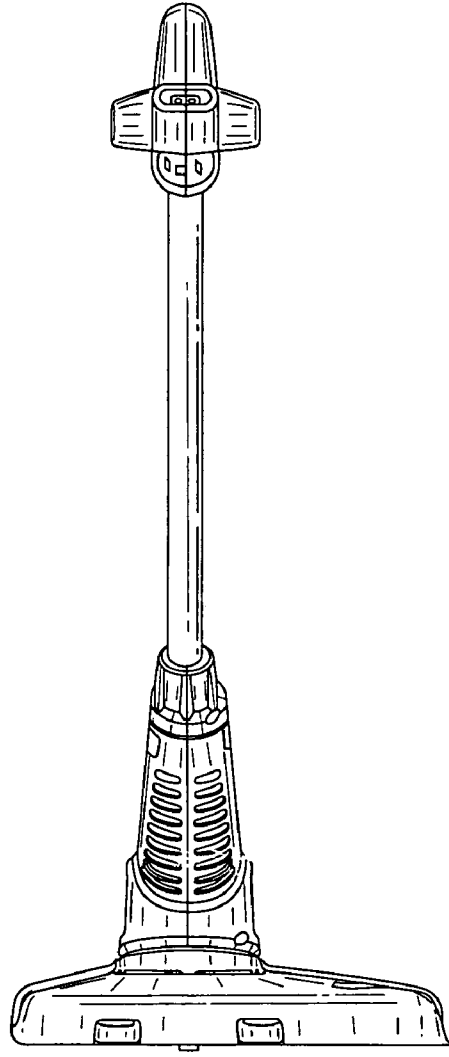


FIG. 5

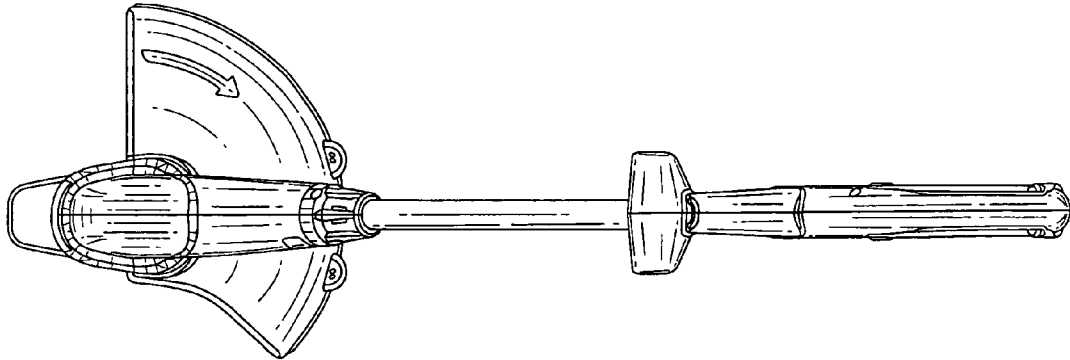


FIG. 6

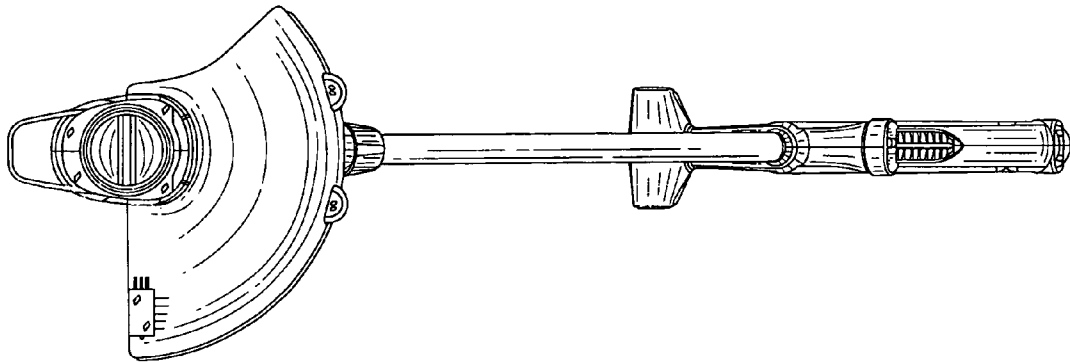


FIG. 7