



US00D473345S

(12) **United States Design Patent** (10) **Patent No.:** **US D473,345 S**
Thorpe (45) **Date of Patent:** **** Apr. 15, 2003**

(54) **COSMETIC CONTAINER WITH WINDOW**

(75) Inventor: **Timothy Thorpe**, Chislehurst (GB)

(73) Assignee: **HCT Limited**, Hong Kong (CN)

(**) Term: **14 Years**

(21) Appl. No.: **29/171,495**

(22) Filed: **Nov. 22, 2002**

(51) **LOC (7) Cl.** **28-03**

(52) **U.S. Cl.** **D28/82**

(58) **Field of Search** D28/76-83; 132/293-307,
132/314, 315; 206/581, 823

(56) **References Cited**

U.S. PATENT DOCUMENTS

3,851,655 A	12/1974	Tarro	132/83
3,911,936 A	10/1975	Kingsford	132/79
D277,419 S	1/1985	Schefer	D28/82
D277,790 S	2/1985	Schefer	D28/82
D277,791 S	2/1985	Schefer	D28/82
D314,449 S	2/1991	Bakic	D28/82
5,398,706 A	3/1995	Epstein	132/294
5,836,319 A	* 11/1998	Lombardi	132/287
D402,412 S	* 12/1998	Thorpe	D28/82
D406,396 S	3/1999	Granwehr	D28/76
D408,590 S	* 4/1999	Litton	D28/82
6,047,710 A	4/2000	Irving et al.	132/293
H1855 H	8/2000	Litton et al.	D28/82
D432,267 S	10/2000	Wardlaw	D28/78
D432,720 S	10/2000	Finocchiaro et al.	D28/76
D432,722 S	10/2000	Wardlaw	D28/76
D433,190 S	10/2000	Finocchiaro et al.	D28/76
D434,324 S	11/2000	Gobe	D9/504
D439,376 S	* 3/2001	Lerolle	D28/82
D443,514 S	6/2001	Lin	D9/504
D449,410 S	10/2001	Rodriguez et al.	D28/82
D457,986 S	5/2002	Rodriguez et al.	D28/78

* cited by examiner

Primary Examiner—Jennifer Rivard

(74) *Attorney, Agent, or Firm*—Norris, McLaughlin & Marcus

(57) **CLAIM**

The ornamental design for a cosmetic container with window, as shown and described.

DESCRIPTION

FIG. 1 is a top perspective view showing my new design with its cover in a closed position;
 FIG. 2 is a front end elevational view showing the cover in its closed position;
 FIG. 3 is a left side elevational view showing the cover in its closed position;
 FIG. 4 is a back end elevational view showing the cover in its closed position;
 FIG. 5 is a top plan view showing the cover in its closed position;
 FIG. 6 is a bottom plan view showing the cover in its closed position;
 FIG. 7 is a cross-sectional view taken along line 7—7 of FIG. 3;
 FIG. 8 is a top perspective view showing the cover in its open position;
 FIG. 9 is a front end elevational view showing the cover in its open position;
 FIG. 10 is a left side elevational view showing the cover in its open position;
 FIG. 11 is a back end elevational view showing the cover in its open position;
 FIG. 12 is a top plan view showing the cover in its open position; and,
 FIG. 13 is a bottom plan view showing the cover in its open position.

1 Claim, 5 Drawing Sheets

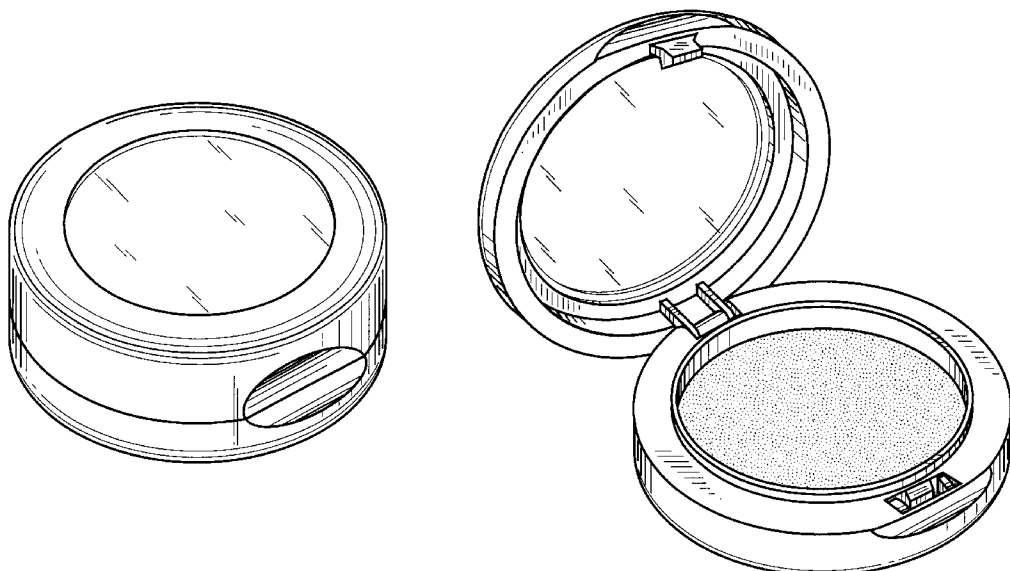


FIG. 1

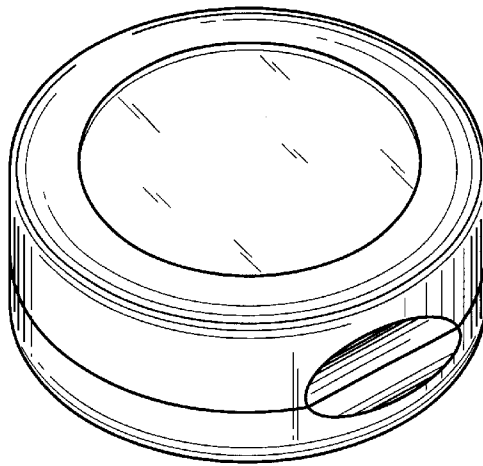


FIG. 2

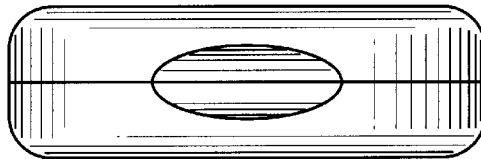


FIG. 3

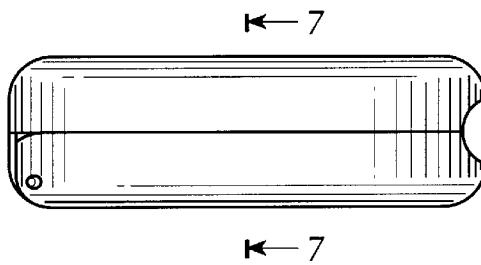


FIG. 4

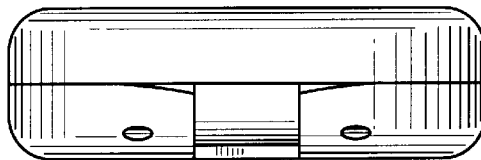


FIG. 5

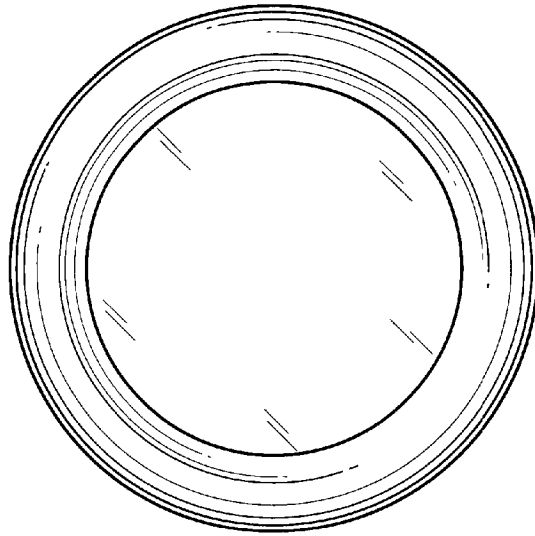


FIG. 6

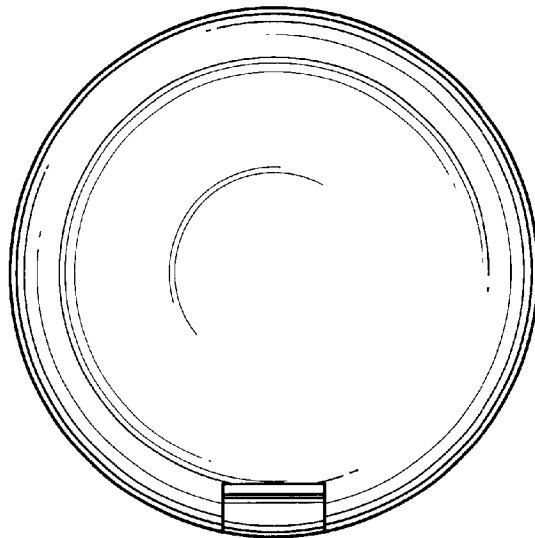


FIG. 7

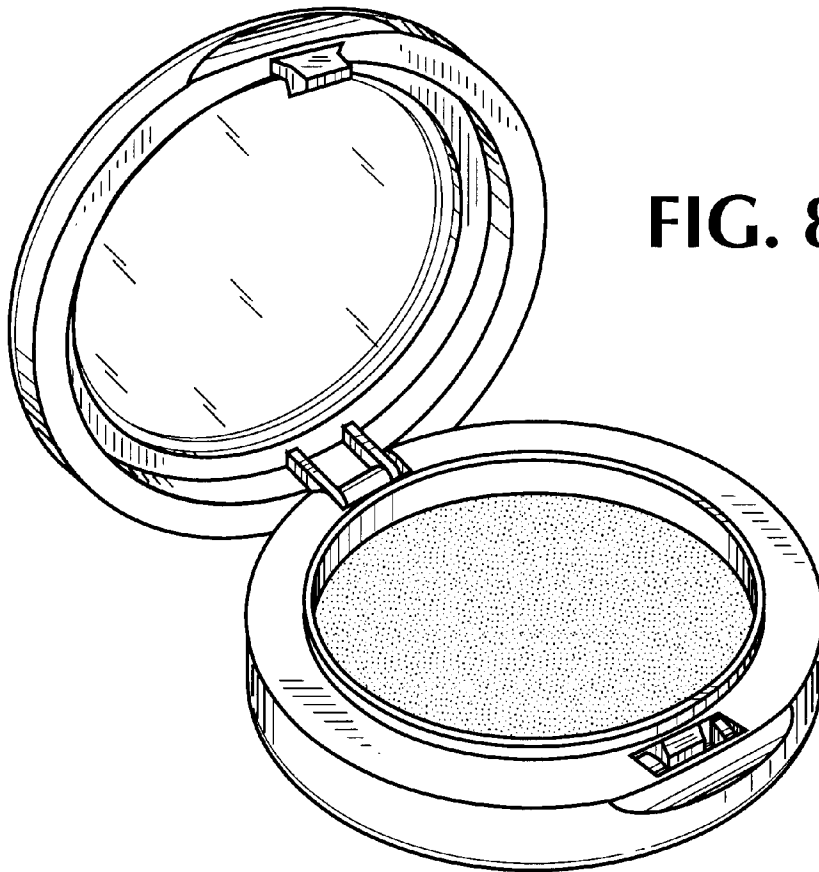
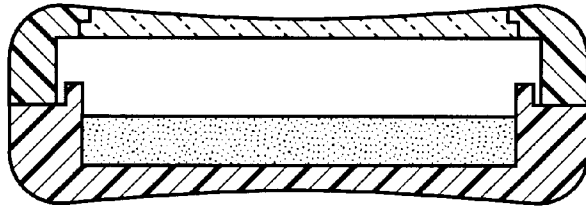


FIG. 8

FIG. 9

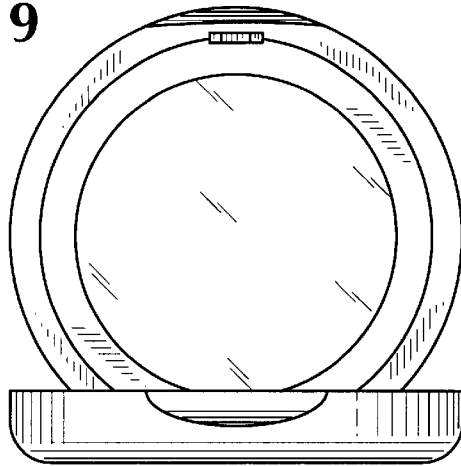


FIG. 10

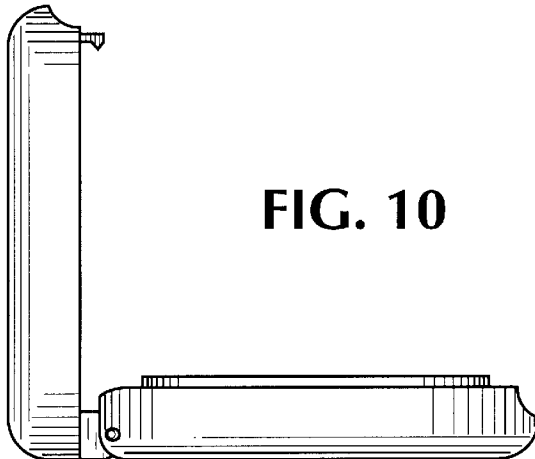


FIG. 11

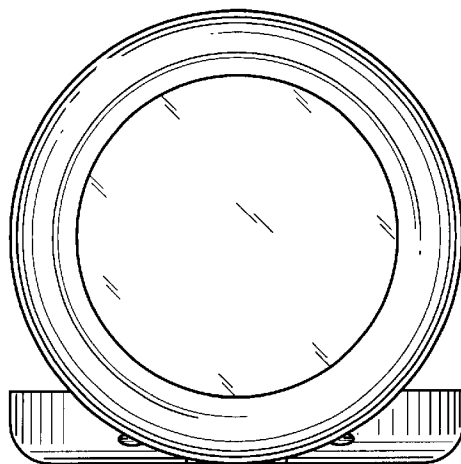


FIG. 12

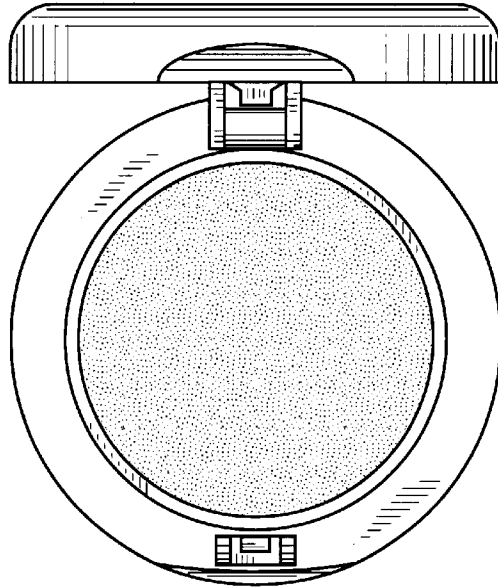


FIG. 13

