



US00D762113S

(12) **United States Design Patent**
Mayer et al.

(10) **Patent No.:** **US D762,113 S**
(45) **Date of Patent:** **** Jul. 26, 2016**

- (54) **CLOSEABLE CONTAINER**
- (71) Applicant: **Inno-Pak, LLC**, Delaware, OH (US)
- (72) Inventors: **Steven A. Mayer**, Indianapolis, IN (US);
Jonathan D. Sill, Powell, OH (US)
- (73) Assignee: **Inno-Pak, LLC**, Delaware, OH (US)
- (**) Term: **15 Years**

D693,216 S *	11/2013	Sill	D9/418
D693,217 S *	11/2013	Sill	D9/418
D693,218 S	11/2013	Sill	
D695,104 S *	12/2013	Sill	D9/418
D696,725 S *	12/2013	Sasken-Duff	D19/91
8,607,987 B2	12/2013	Oja et al.	
D706,132 S *	6/2014	Sill	D9/432
D712,275 S *	9/2014	Irek	D9/418
D713,716 S	9/2014	Oja et al.	
D716,649 S *	11/2014	McAdam	D9/418
D719,440 S	12/2014	Matloff	

(Continued)

(21) Appl. No.: **29/527,085**

OTHER PUBLICATIONS

(22) Filed: **May 15, 2015**

Office Action dated Feb. 1, 2016 from U.S. Appl. No. 29/516,707.

(51) **LOC (10) Cl.** **09-03**

Primary Examiner — Holly Baynham

(52) **U.S. Cl.**
USPC **D9/418**

Assistant Examiner — Rhea Shields

(58) **Field of Classification Search**
USPC D9/414-419, 499, 431, 432, 422, 421;
D19/91; D7/612

(74) *Attorney, Agent, or Firm* — Ward and Smith, P.A.; Ryan K. Simmons

CPC B65D 5/4204
See application file for complete search history.

(57) **CLAIM**
The ornamental design for a closeable container, as shown and described.

(56) **References Cited**

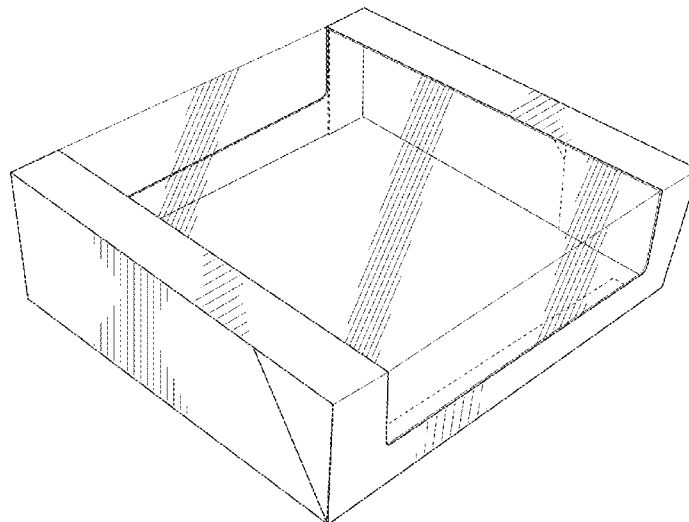
DESCRIPTION

U.S. PATENT DOCUMENTS

D259,253 S	5/1981	Nelson	
D365,755 S	1/1996	Kanfer et al.	
D372,401 S *	8/1996	Lillelund D7/612
D415,960 S *	11/1999	Majdanski D9/415
D469,349 S	1/2003	Meeker et al.	
D469,692 S *	2/2003	Meeker D9/431
D519,366 S *	4/2006	Epstein D9/431
D536,245 S *	2/2007	Bruun D9/422
D536,612 S *	2/2007	Geurts D9/432
D578,883 S	10/2008	Kisch	
D602,353 S	10/2009	Anderson et al.	
D626,831 S	11/2010	Nicholas	
D636,662 S *	4/2011	Ignacio D9/418
D649,067 S *	11/2011	Birdwell D9/418
D675,092 S *	1/2013	Sill D9/431
D678,779 S	3/2013	Lee	
D679,950 S	4/2013	Cooper	
D681,444 S	5/2013	Oja et al.	

FIG. 1 is a perspective view of a closeable container showing a new design;
 FIG. 2 is a right side elevation view thereof, the left side being a mirror image;
 FIG. 3 is a front elevation view thereof;
 FIG. 4 is a back elevation view thereof;
 FIG. 5 is a top plan view thereof;
 FIG. 6 is a bottom plan view thereof;
 FIG. 7 is another perspective view thereof, showing the closeable carton in an open configuration; and,
 FIG. 8 is another top plan view thereof, showing the closeable container in a blank configuration.
 The dashed lines shown in the drawings are for environmental purposes only and form no part of the claimed design.

1 Claim, 8 Drawing Sheets



US D762,113 S

Page 2

(56)

References Cited

U.S. PATENT DOCUMENTS

D727,732 S *	4/2015	Petty	D9/415	D746,700 S	1/2016	Boehnen et al.	
D729,055 S	5/2015	Lemnios et al.		2009/0236351 A1	9/2009	Chu et al.	
D739,228 S *	9/2015	Jondal	D9/421	2015/0344216 A1 *	12/2015	Petty	B65D 5/4204 206/589

* cited by examiner

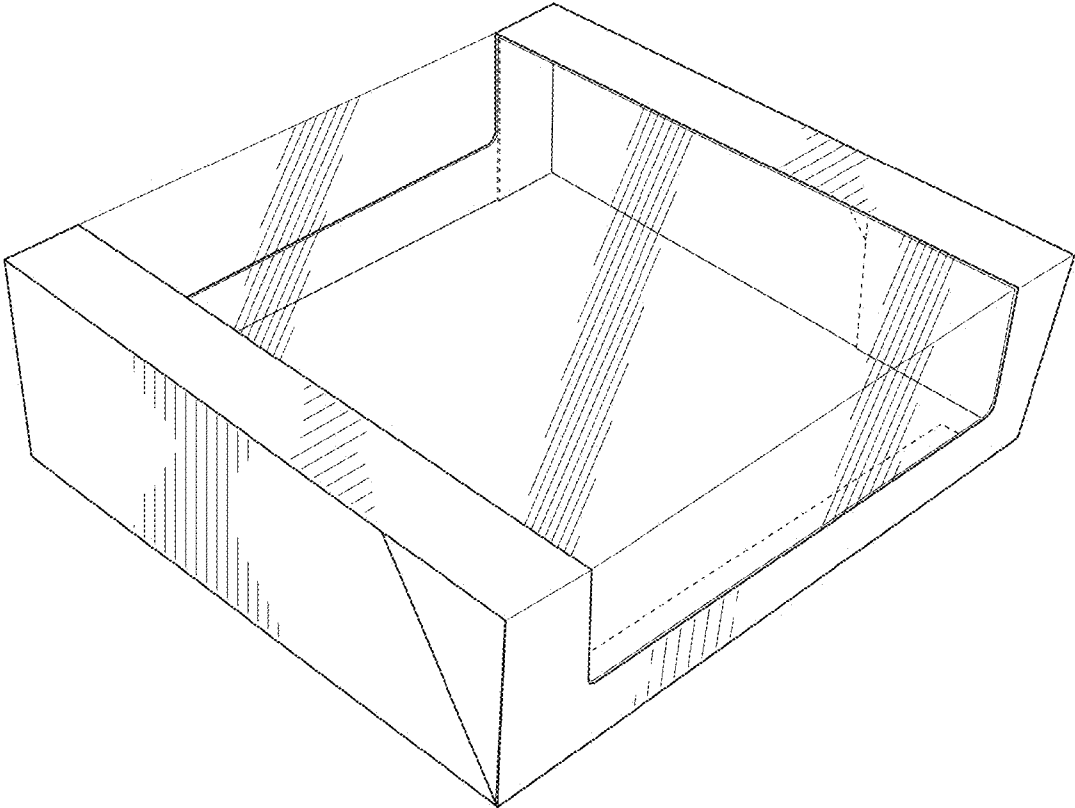


FIG. 1

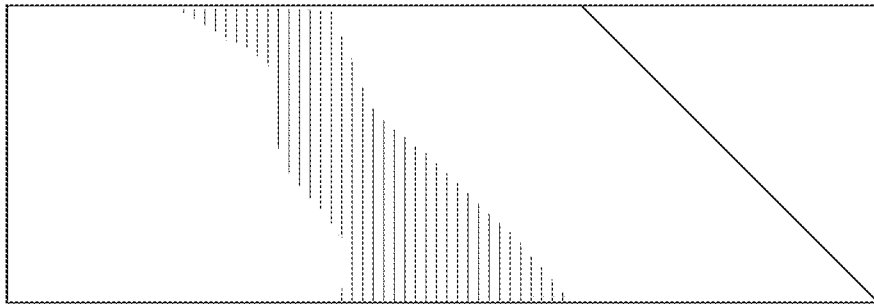


FIG. 2

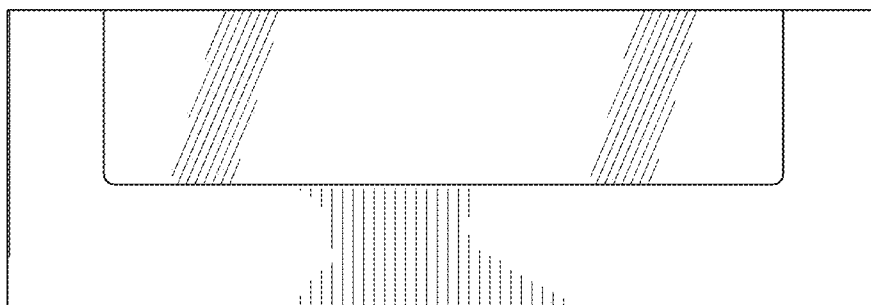


FIG. 3

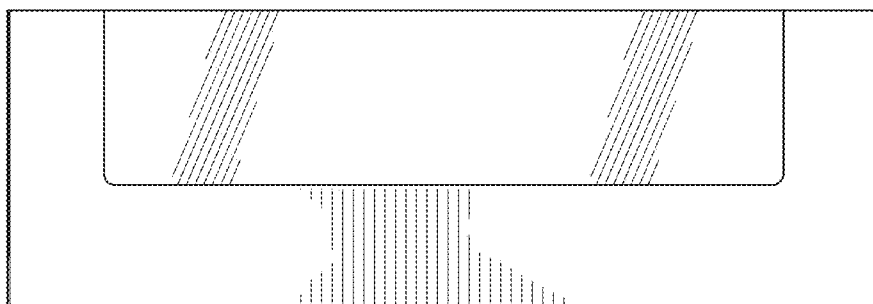


FIG. 4

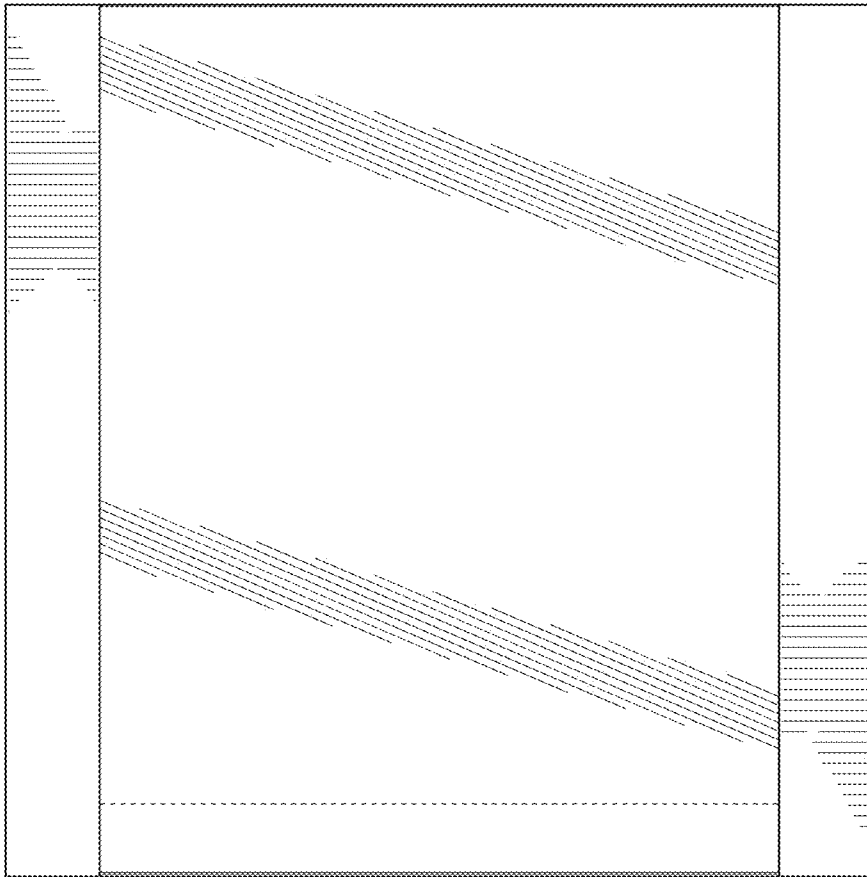


FIG. 5

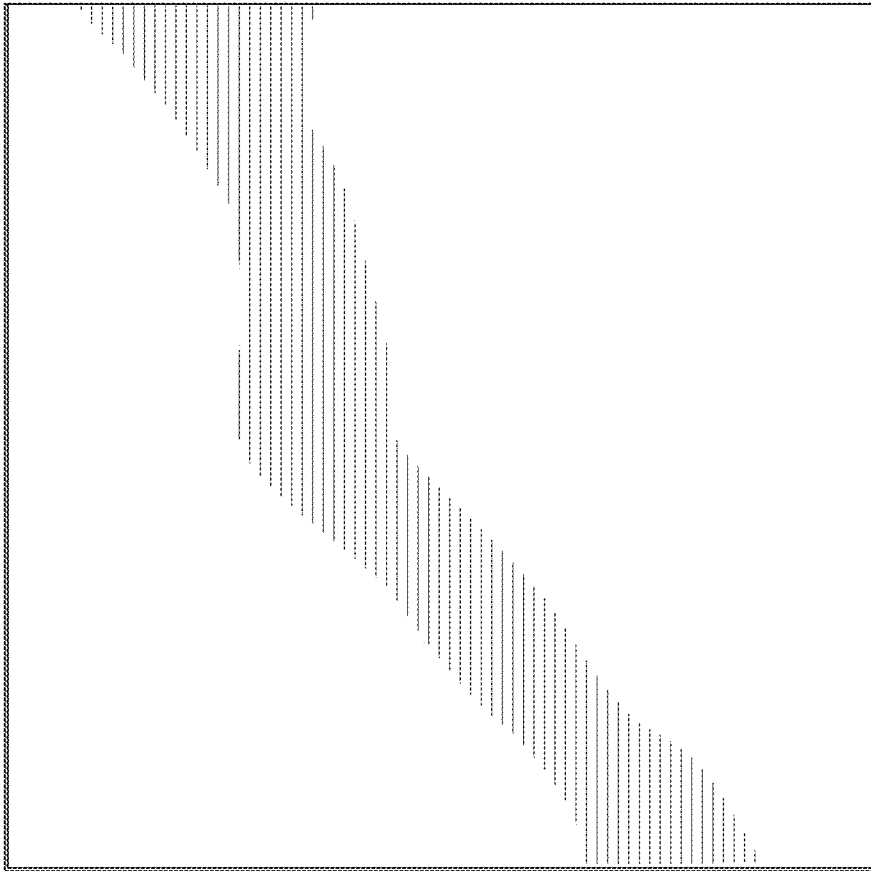


FIG. 6

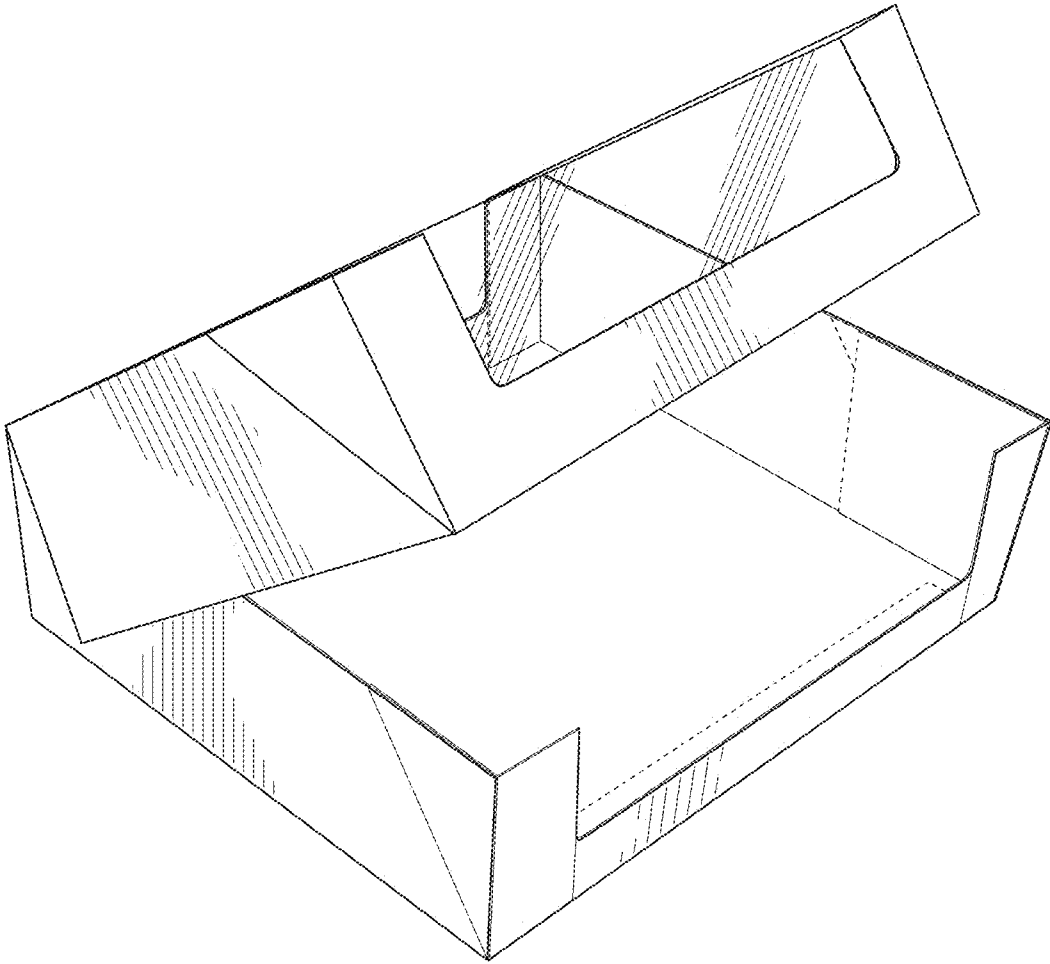


FIG. 7

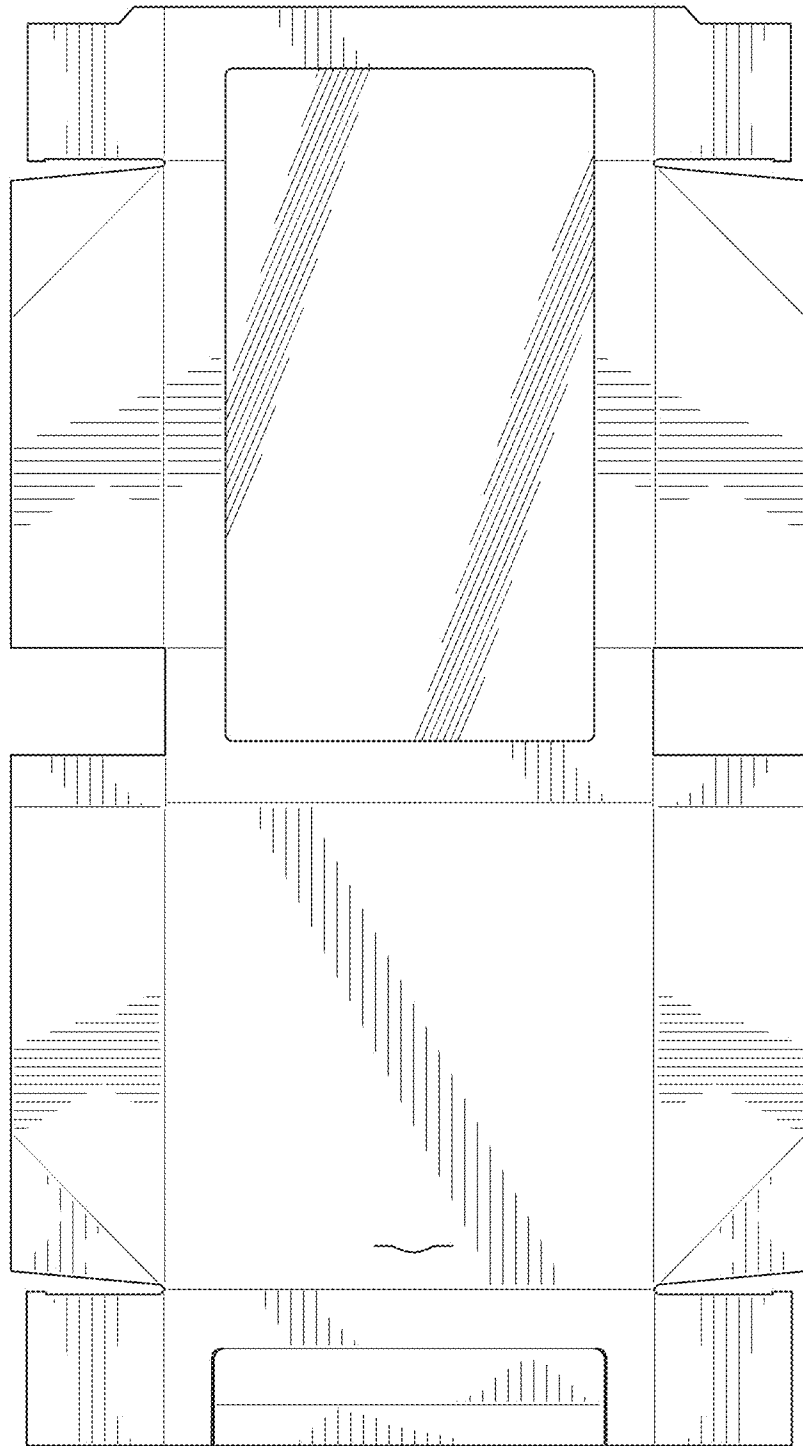


FIG. 8