



US00D765791S

(12) **United States Design Patent**
Chatterjee et al.

(10) **Patent No.:** **US D765,791 S**

(45) **Date of Patent:** **** Sep. 6, 2016**

(54) **CONTROLLER**

(71) Applicant: **Microsoft Corporation**, Redmond, WA (US)

(72) Inventors: **Monique Chatterjee**, Seattle, WA (US);
Austin Rand Porter, Seattle, WA (US);
William Bennett Mabry, Seattle, WA (US);
Jordan Patrick Evans, Seattle, WA (US);
Richard Thomas Hanks, Seattle, WA (US);
Ryan Curtis Clark, Maple Valley, WA (US)

(73) Assignee: **Microsoft Corporation**, Redmond, WA (US)

(**) Term: **15 Years**

(21) Appl. No.: **29/535,179**

(22) Filed: **Aug. 4, 2015**

(51) **LOC (10) Cl.** **21-01**

(52) **U.S. Cl.**
USPC **D21/333; D14/401**

(58) **Field of Classification Search**

USPC D14/496, 401, 435, 474, 483, 217, 137,
D14/138, 160, 168, 356, 203.1–203.8, 507;
345/156, 169, 173–179, 905;
715/727–729, 864; 710/1, 5, 8; 713/1,
713/600; 455/1.1, 1.7, 73, 344–347, 93, 95,
455/3.01–3.06, 550.1, 573.1; 370/342–344;
369/1, 2, 6–12; 463/43–47, 29–35;
273/148 B; D21/324–333
CPC A63F 13/02; A63F 13/12; A63F 9/24;
A63F 9/02; A63F 11/00; A63F 71/00;
G06F 3/02; G06G 3/033; G09G 5/00
See application file for complete search history.

(56) **References Cited**

U.S. PATENT DOCUMENTS

D398,214 S 9/1998 Yui
D424,047 S 5/2000 Chan

D435,551 S 12/2000 Hayes
6,231,444 B1 * 5/2001 Goto G05G 9/047
273/148 B
D449,042 S 10/2001 Chung
D453,932 S 2/2002 Han et al.
6,463,159 B1 10/2002 Ming-Cheng
D467,922 S 12/2002 Lee
6,743,100 B1 * 6/2004 Neiser A63F 13/06
273/148 B
6,968,070 B1 11/2005 Chiang
D521,015 S 5/2006 Hayes et al.

(Continued)

OTHER PUBLICATIONS

Side-by-side: Xbox One Gamepad vs Xbox 360 gamepad (Jun. 11, 2013), <http://www.techradar.com/us/news/gaming/consoles/side-by-side-xbox-one-gamepad-vs-xbox-360-gamepad-1158091>.

Primary Examiner — Prabhakar Deshmukh

(74) Attorney, Agent, or Firm — Banner & Witcoff, Ltd.

(57) **CLAIM**

The ornamental design for a controller, as shown and described.

DESCRIPTION

The patent or application file contains at least one drawing executed in color. Copies of this patent or patent application publication with color drawing(s) will be provided by the Office upon request and payment of the necessary fee.

FIG. 1 is a perspective front view of a controller showing our new design;

FIG. 2 is a front view thereof;

FIG. 3 is a rear view thereof;

FIG. 4 is a right side view thereof;

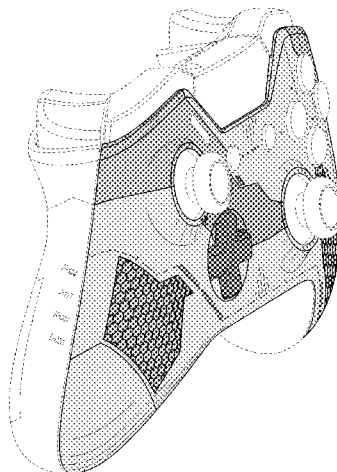
FIG. 5 is a left side view thereof;

FIG. 6 is a top view thereof; and,

FIG. 7 is a bottom view thereof.

The broken line showing of the remainder of the controller in FIGS. 1-7 is for environmental purposes only and forms no part of the claimed design.

1 Claim, 6 Drawing Sheets
(5 of 6 Drawing Sheet(s) Filed in Color)



(56)

References Cited

U.S. PATENT DOCUMENTS

| | | | | | | | |
|----------------|---------|------------------|-------------------------|--------------|---------|---------------------|---------|
| D522,011 S | 5/2006 | Hayes et al. | | D637,153 S | 5/2011 | Ikeda et al. | |
| D522,012 S | 5/2006 | Hayes et al. | | D638,016 S | 5/2011 | Ikeda | |
| 7,063,321 B2 * | 6/2006 | Hussaini | A63F 13/06 273/148 B | D646,275 S | 10/2011 | Ikeda et al. | |
| 7,105,754 B2 | 9/2006 | Turner | | D650,795 S | 12/2011 | Koehn | |
| 7,195,561 B2 | 3/2007 | Hussaini et al. | | D655,350 S | 3/2012 | Taniguchi et al. | |
| D545,317 S * | 6/2007 | Wang | D14/401 | D658,178 S | 4/2012 | Ikeda et al. | |
| D547,763 S | 7/2007 | Hayes et al. | | D658,179 S | 4/2012 | Ikeda et al. | |
| D556,201 S | 11/2007 | Ashida et al. | | D659,140 S | 5/2012 | Ikeda et al. | |
| D563,480 S | 3/2008 | Blaseflug et al. | | D685,434 S * | 7/2013 | Ali | D14/401 |
| D565,668 S | 4/2008 | Baseflug et al. | | D692,001 S | 10/2013 | Ibuki et al. | |
| D568,335 S | 5/2008 | Armstrong et al. | | D692,887 S | 11/2013 | Ibuki et al. | |
| D569,388 S | 5/2008 | Armstrong et al. | | D694,830 S | 12/2013 | Crowley et al. | |
| D581,422 S | 11/2008 | Hayes et al. | | D700,182 S * | 2/2014 | Kidakarn | D14/401 |
| 7,445,550 B2 | 11/2008 | Barney et al. | | D708,615 S * | 7/2014 | Delrue | D14/401 |
| D601,564 S | 10/2009 | Maeno | | D709,498 S | 7/2014 | Morris et al. | |
| D619,596 S | 7/2010 | Maitlen et al. | | D709,499 S * | 7/2014 | Morris | D14/401 |
| 7,762,553 B2 * | 7/2010 | Harris | A63F 13/98 273/148 B | D709,882 S * | 7/2014 | Morris | D14/401 |
| | | | | D715,865 S | 10/2014 | Morris et al. | |
| | | | | D745,607 S * | 12/2015 | Jones | D14/401 |
| | | | | D754,128 S * | 4/2016 | Bellinghausen | D14/401 |

* cited by examiner

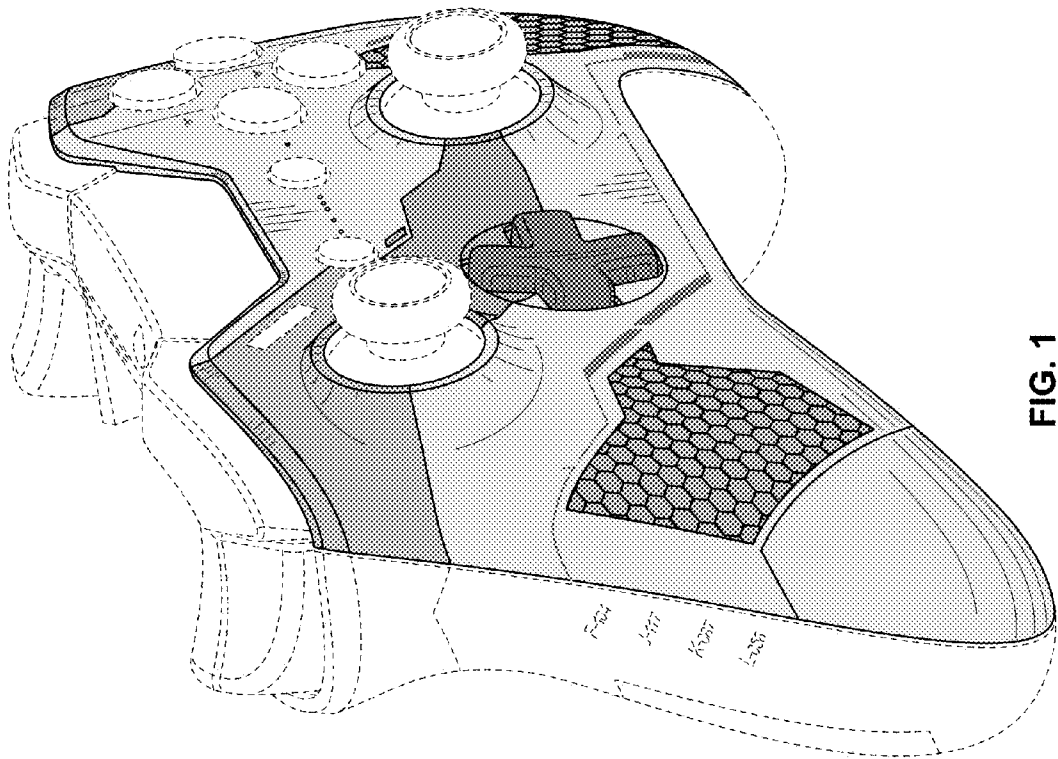


FIG. 1

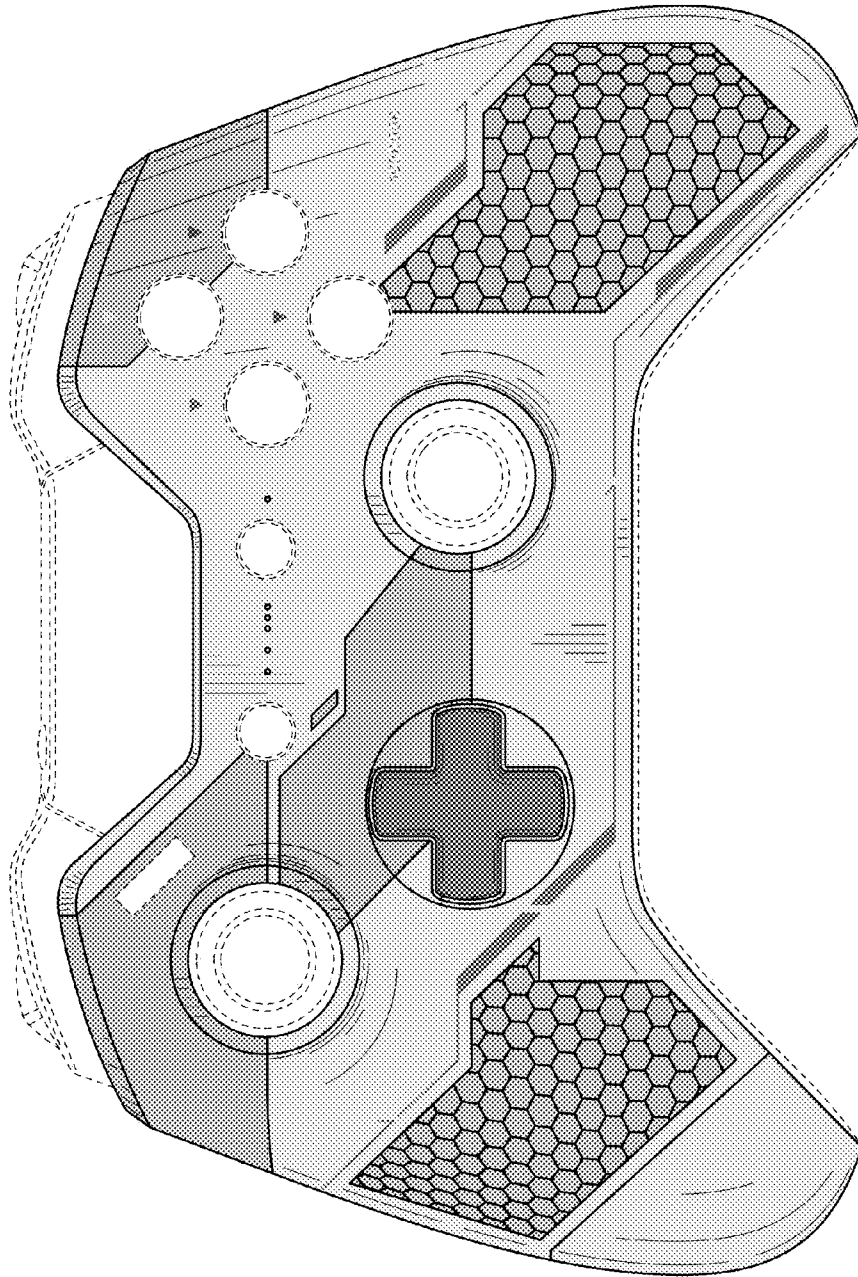


FIG. 2

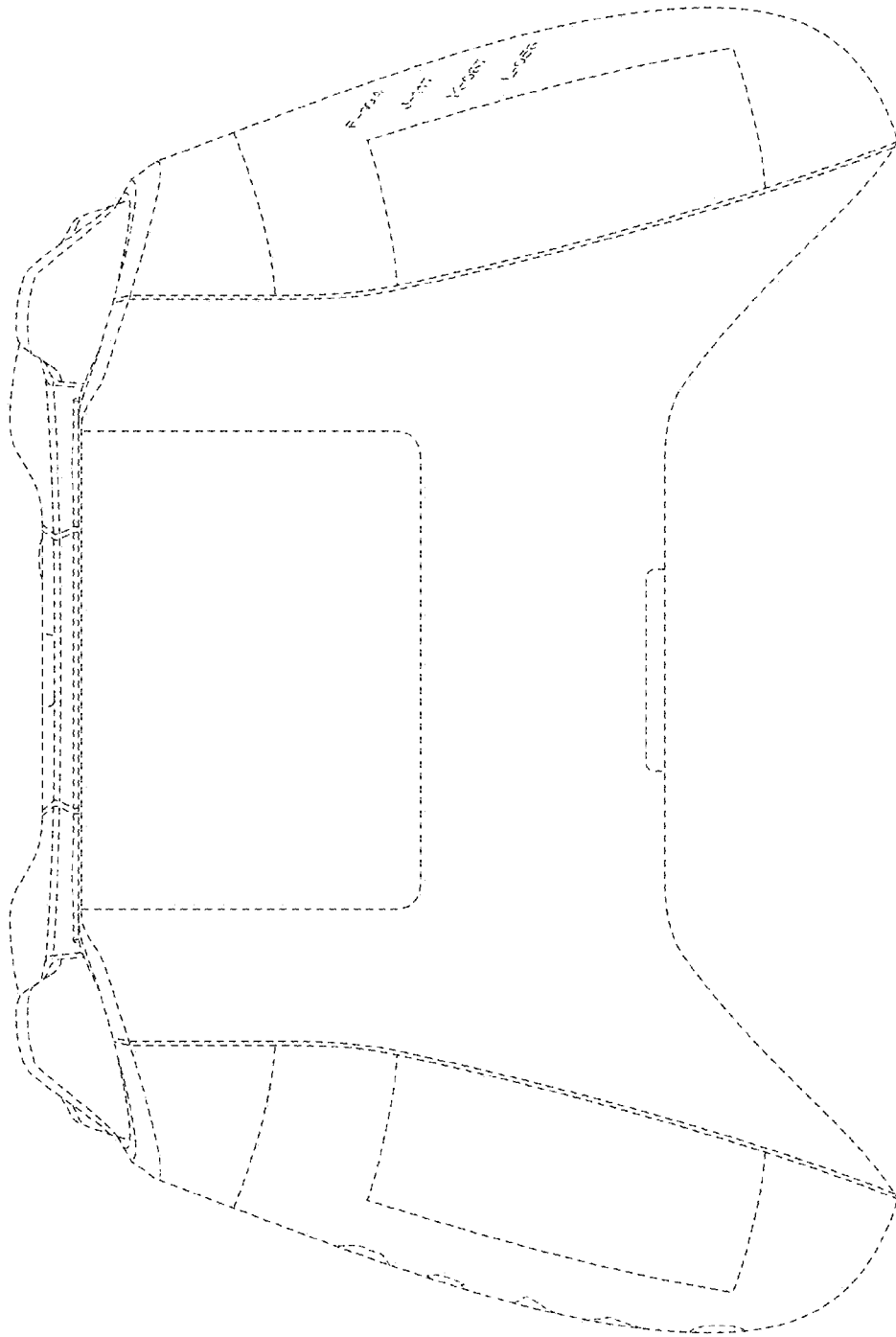


FIG. 3

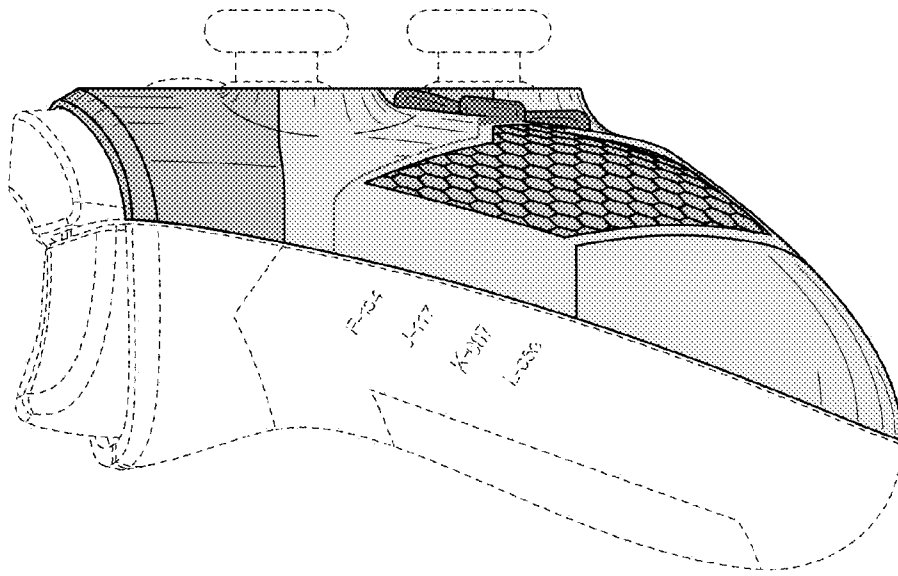


FIG. 5

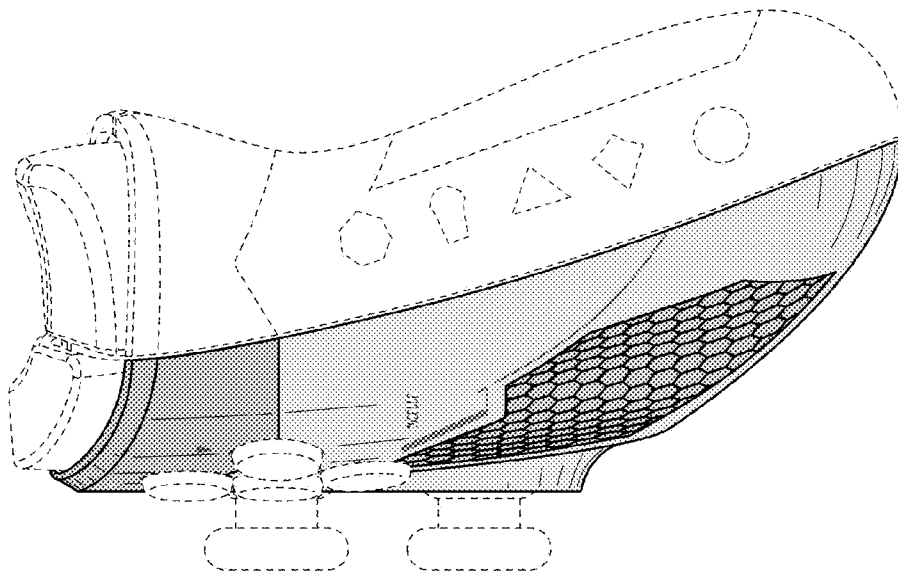


FIG. 4

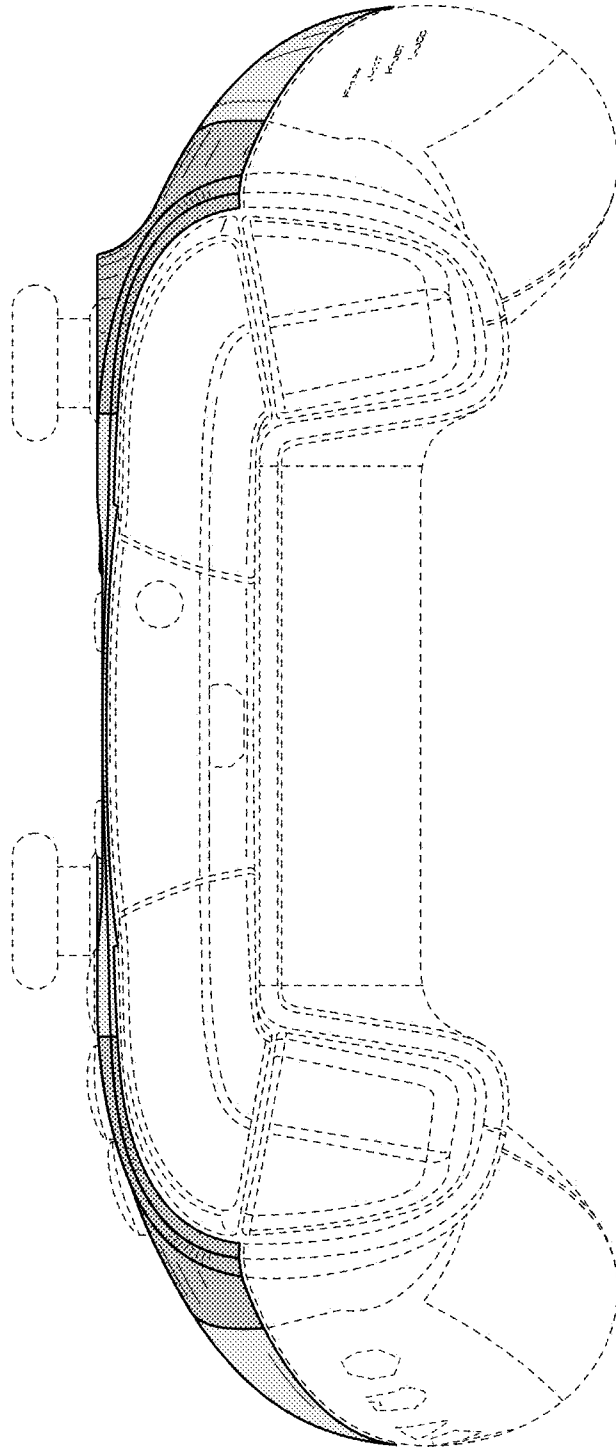


FIG. 6

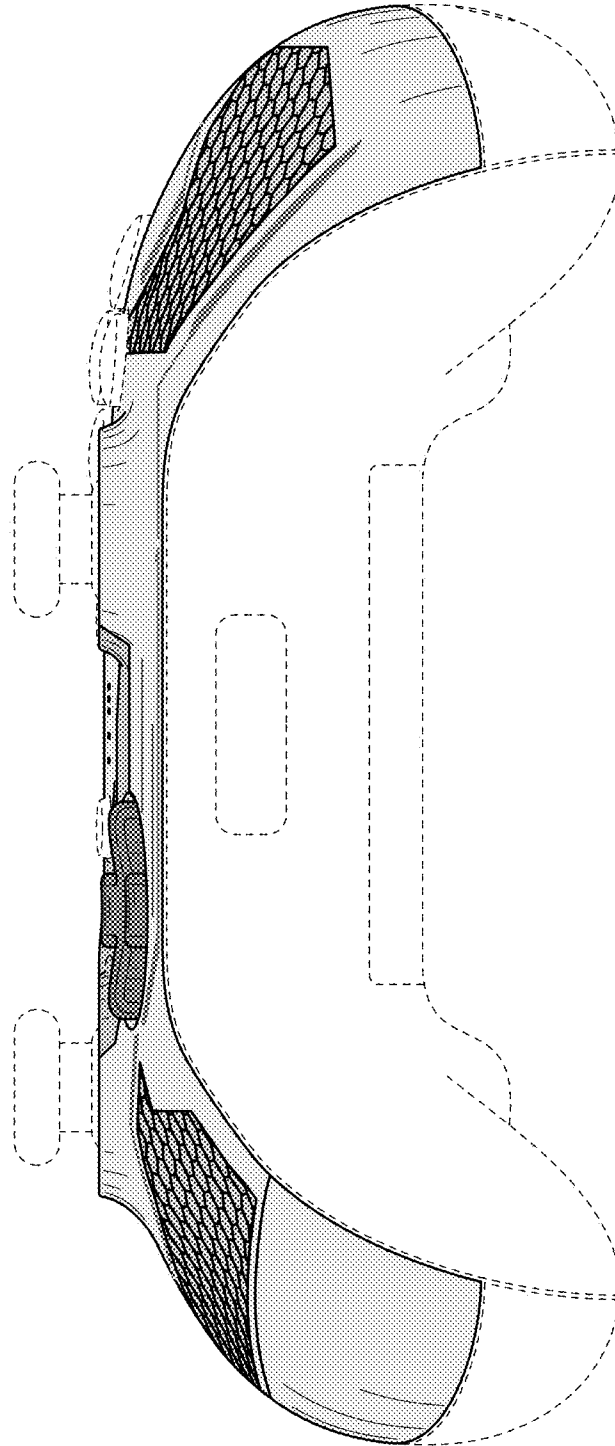


FIG. 7