



US0D1018989S

(12) **United States Design Patent**  
**Zhang**

(10) **Patent No.:** **US D1,018,989 S**

(45) **Date of Patent:** **\*\* Mar. 19, 2024**

(54) **ELECTRIC CLIPPER**

FOREIGN PATENT DOCUMENTS

(71) Applicant: **Hanjie Zhang**, Ningbo (CN)

CA 204659 \* 3/2023

(72) Inventor: **Hanjie Zhang**, Ningbo (CN)

CN 308076147 \* 6/2023

CN 308076161 \* 6/2023

(\*\*) Term: **15 Years**

OTHER PUBLICATIONS

(21) Appl. No.: **29/890,021**

“Chicclly Store: Hair Clippers for Men.” Found online at amazon.com. Jun. 22, 2023. Reference dated Feb. 16, 2022. Retrieved from <https://www.amazon.com/Clippers-Cordless-Cutting-Barber-Scissors/dp/B09SLDLBXB/>.\*

(22) Filed: **Apr. 19, 2023**

(Continued)

(51) **LOC (14) Cl.** ..... **28-03**

(52) **U.S. Cl.** ..... **D28/53**

USPC ..... **D28/53**

(58) **Field of Classification Search**

USPC ..... D28/44, 52, 53, 54; D30/158, 159; D13/108

CPC ..... B26B 19/00; B26B 19/02; B26B 19/12; B26B 19/14; B26B 19/06; B26B 19/063; B26B 19/08; B26B 19/20; B26B 19/3853; B26B 19/386; B26B 19/3866; B26B 19/3873; B26B 19/205

See application file for complete search history.

*Primary Examiner* — Kendra Leslie Hamilton

*Assistant Examiner* — Elizabeth S Struble

(57) **CLAIM**

The ornamental design for an electric clipper, as shown and described.

**DESCRIPTION**

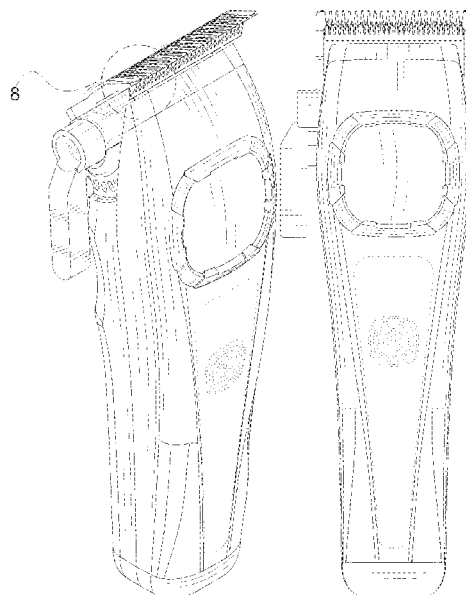
(56) **References Cited**

U.S. PATENT DOCUMENTS

|              |    |   |         |                 |       |              |
|--------------|----|---|---------|-----------------|-------|--------------|
| D535,788     | S  | * | 1/2007  | Ng              | ..... | D28/53       |
| D622,907     | S  | * | 8/2010  | Schwer          | ..... | D28/53       |
| D799,753     | S  |   | 10/2017 | Ishikura et al. |       |              |
| D800,965     | S  | * | 10/2017 | Aulwes          | ..... | D28/53       |
| D911,613     | S  | * | 2/2021  | Jiang           | ..... | D28/53       |
| D942,083     | S  | * | 1/2022  | Goeder          | ..... | D28/51       |
| D946,827     | S  | * | 3/2022  | Hunt            | ..... | D28/53       |
| D979,139     | S  | * | 2/2023  | Xu              | ..... | D28/53       |
| D979,140     | S  | * | 2/2023  | Xu              | ..... | D28/53       |
| D981,645     | S  | * | 3/2023  | Lambrecht       | ..... | D28/53       |
| 2022/0184827 | A1 | * | 6/2022  | Arndt           | ..... | B26B 19/3853 |
| 2022/0184832 | A1 | * | 6/2022  | Werner          | ..... | B26B 19/06   |
| 2022/0410419 | A1 | * | 12/2022 | Laschinski      | ..... | B26B 19/386  |
| 2023/0107628 | A1 | * | 4/2023  | Tringali        | ..... | H02K 7/14    |

FIG. 1 is a top, front, left perspective view of an electric clipper, showing my new design;  
FIG. 2 is a front elevation view thereof;  
FIG. 3 is a rear elevation view thereof;  
FIG. 4 is a left side elevation view thereof;  
FIG. 5 is a right side elevation view thereof;  
FIG. 6 is a top plan view thereof;  
FIG. 7 is a bottom plan view thereof; and,  
FIG. 8 is a top, front, left perspective view of detail “8” identified in FIG. 1, shown enlarged for clarity of disclosure. In the drawings, the equal-length broken lines depict portions of the electric clipper and form no part of the claimed design.

**1 Claim, 8 Drawing Sheets**



(56)

**References Cited**

OTHER PUBLICATIONS

“KBDS Store: Professional Hair Clippers for Men.” Found online at amazon.com. Jun. 22, 2023. Reference dated Jun. 23, 2021. Retrieved from <https://www.amazon.com/Professional-Clippers-KBDS-Stainless-Rechargeable/dp/B097SZG9JK>.\*

“Suprent Store: Professional Hair Clippers for Men.” Found online at amazon.com. Jun. 22, 2023. Reference dated Oct. 29, 2020. Retrieved from <https://www.amazon.com/Clippers-SUPRENT-Cordless-Cutting-Professional/dp/B08M614XGR>.\*

“Allure: The 13 Best Barber Clippers and Beard Trimmers for At-Home Use.” Found online at allure.com. Jun. 22, 2023. Reference dated Mar. 20, 2021. Retrieved from <https://www.allure.com/gallery/best-barber-clippers-beard-trimmers>.\*

\* cited by examiner

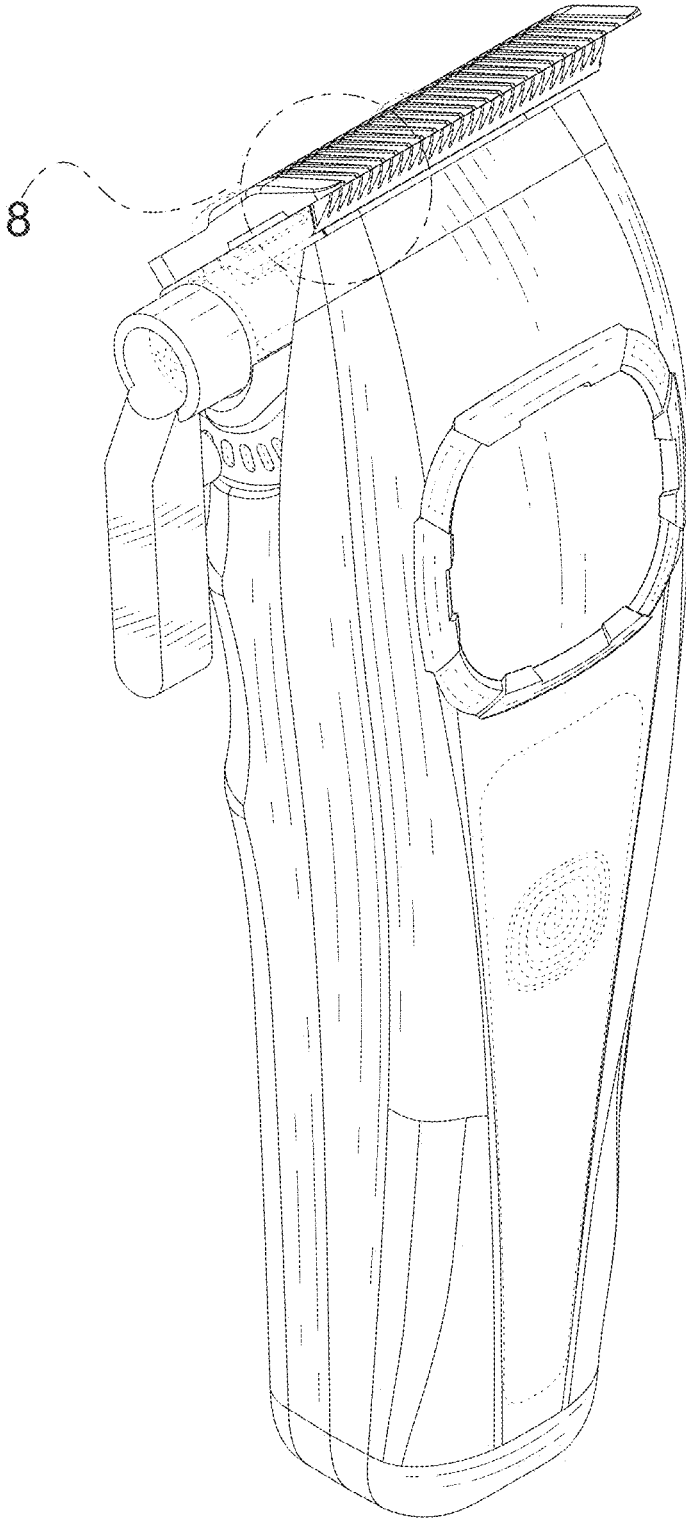


FIG. 1

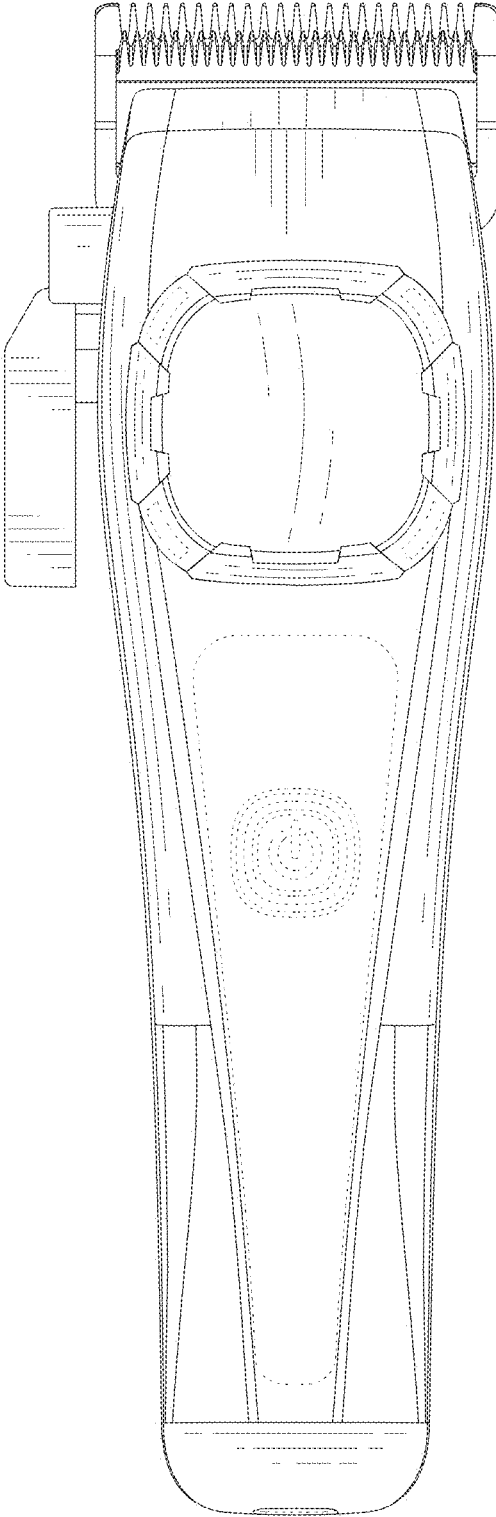


FIG. 2

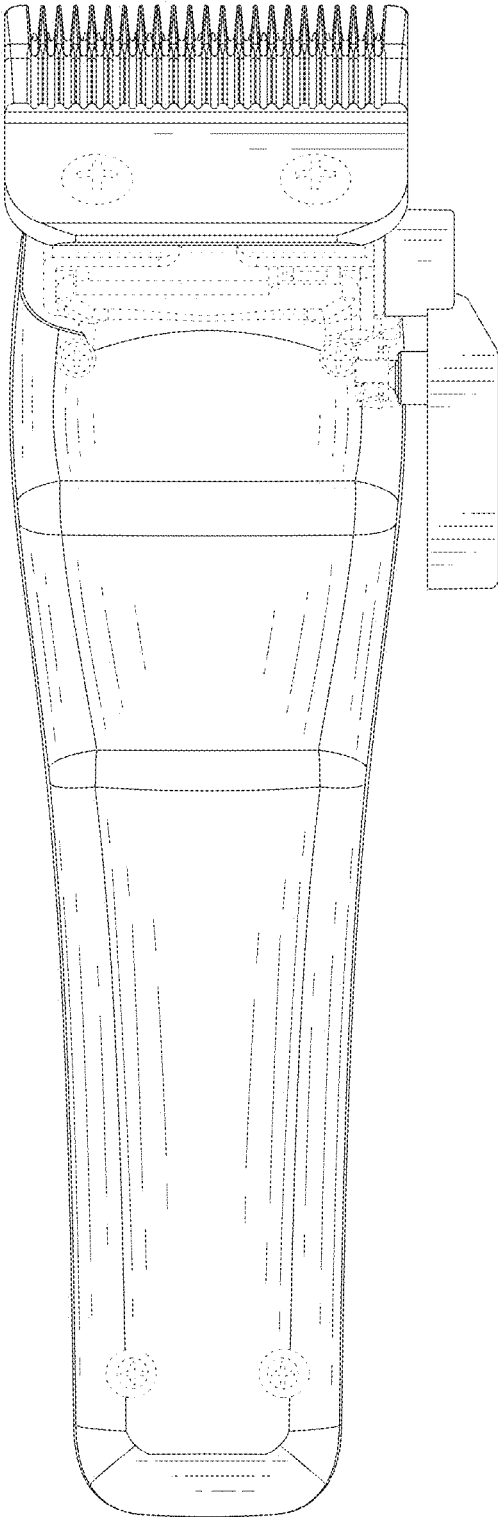


FIG. 3

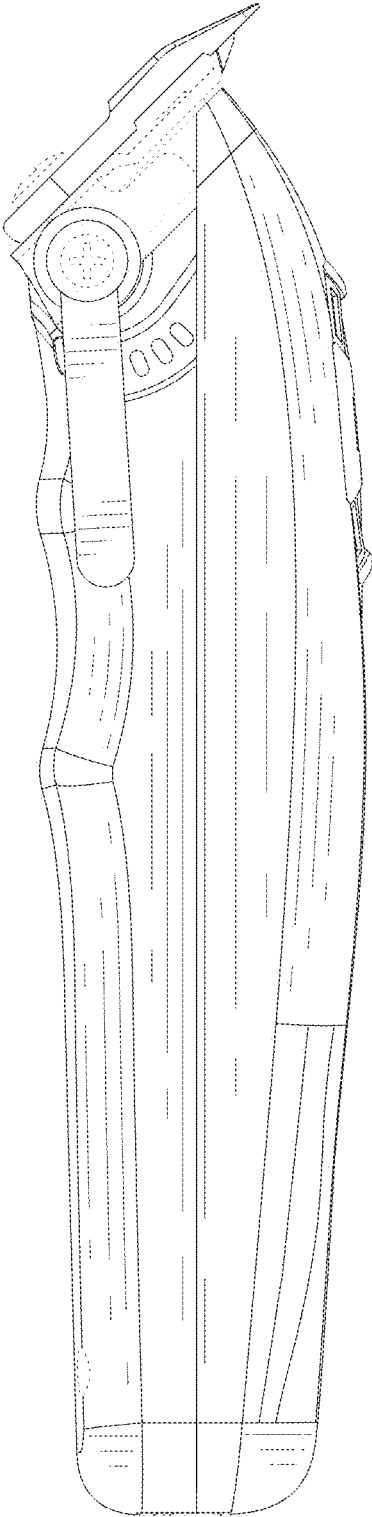


FIG. 4

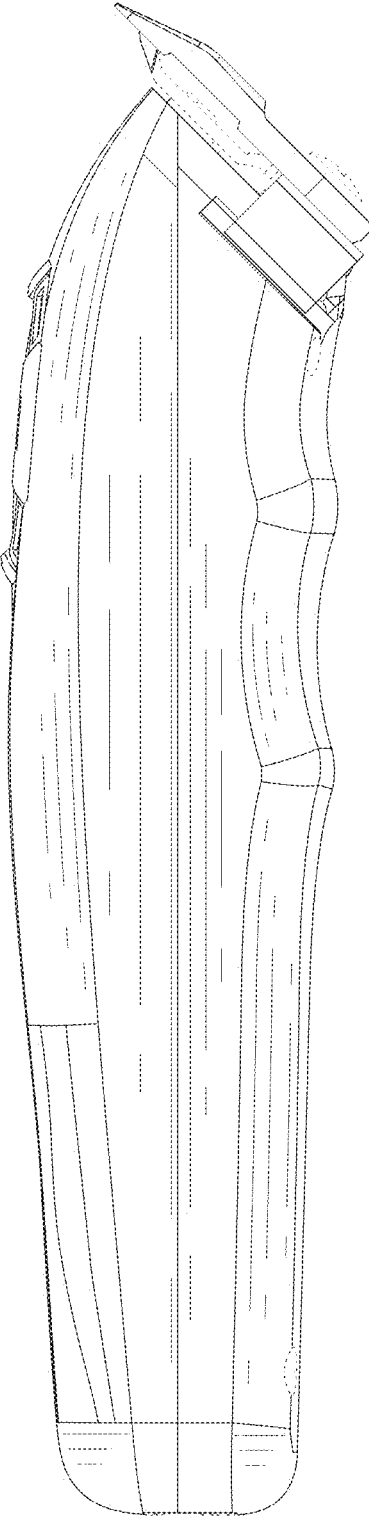


FIG. 5

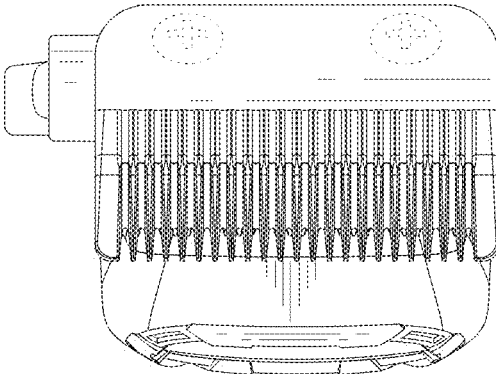


FIG. 6



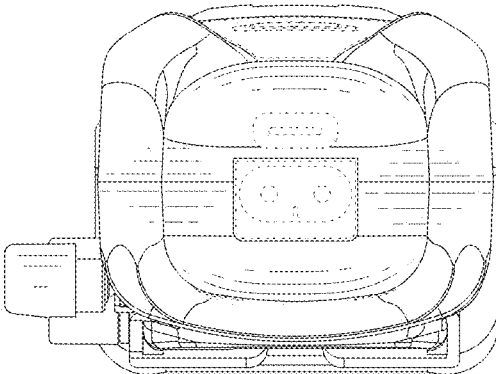


FIG. 7

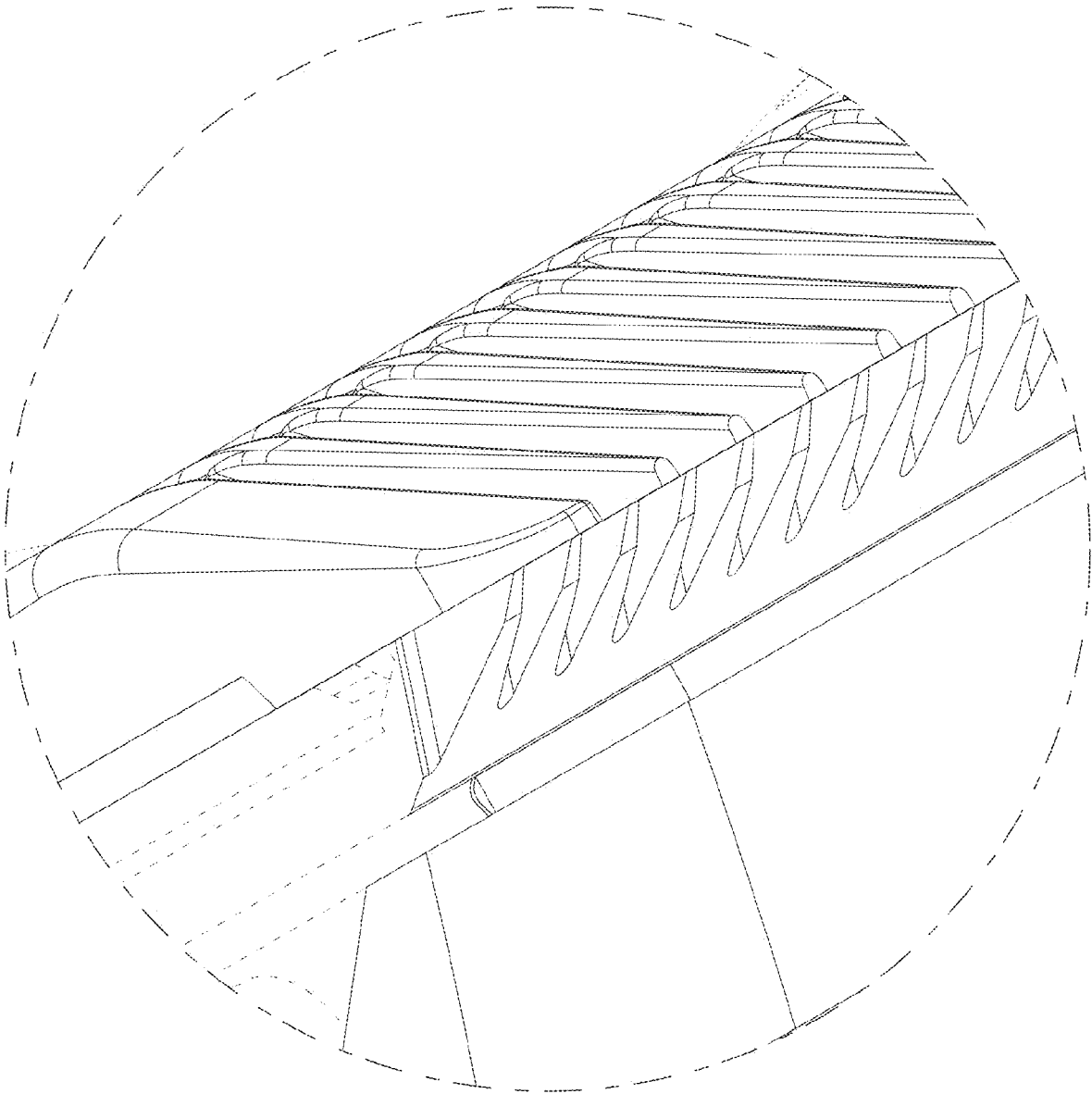


FIG. 8