



US00D960725S

(12) **United States Design Patent**
Wang

(10) **Patent No.:** **US D960,725 S**

(45) **Date of Patent:** **** Aug. 16, 2022**

(54) **THERMOMETER**

(56) **References Cited**

(71) Applicant: **Huizhou Xiaou Technology CO., LTD**, Huizhou (CN)

U.S. PATENT DOCUMENTS

(72) Inventor: **Xia Wang**, Huizhou (CN)

D843,242 S * 3/2019 Wang D10/57

D916,603 S * 4/2021 Lim D10/57

D931,742 S * 9/2021 Dai D10/57

(73) Assignee: **Huizhou Xiaou Technology CO., LTD**, Huizhou (CN)

* cited by examiner

(**) Term: **15 Years**

Primary Examiner — Antoine Duval Davis

(74) *Attorney, Agent, or Firm* — ScienBiziP, P.C.

(21) Appl. No.: **29/759,714**

(22) Filed: **Nov. 24, 2020**

(57) **CLAIM**

The ornamental design for a thermometer, as shown and described.

(30) **Foreign Application Priority Data**

Sep. 1, 2020 (CN) 202030509379.5

(51) **LOC (13) CL.** **10-04**

(52) **U.S. CL.**
USPC **D10/57**

(58) **Field of Classification Search**

USPC D10/57

CPC G01K 1/02; G01K 1/022; G01K 1/024;
G01K 1/08; G01K 1/083; G01K 1/086;
G01K 3/00-3/14; G01K 2003/145; G01K
13/002; G01K 13/004; G01K 2219/00;
G01K 5/04-5/225; G01K 5/22; G01K
221/00; G01J 5/04; G01J 5/041; G01J
5/042; G01J 5/043; G01J 5/044; G01J
5/045; G01J 5/046; G01J 5/047; G01J
5/048; G01J 5/049; G01J 5/0265

See application file for complete search history.

DESCRIPTION

FIG. 1 is a front and top perspective view of a thermometer, showing my design.

FIG. 2 is a front elevation view thereof.

FIG. 3 is a rear elevation view thereof.

FIG. 4 is a left side elevation view thereof.

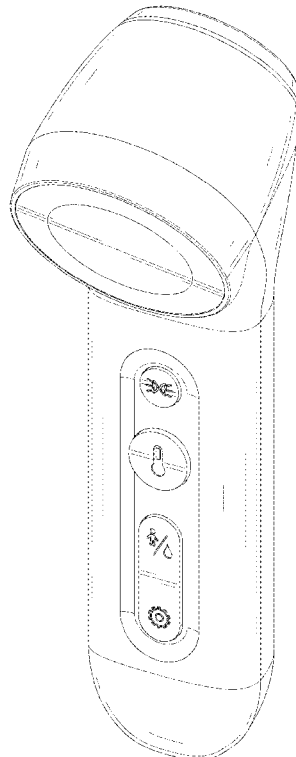
FIG. 5 is a right side elevation view thereof.

FIG. 6 is a top plan view thereof; and,

FIG. 7 is a bottom plan view thereof.

The broken lines shown in the drawings are included for the purpose of illustrating portions of the thermometer that form no part of the claimed design.

1 Claim, 7 Drawing Sheets



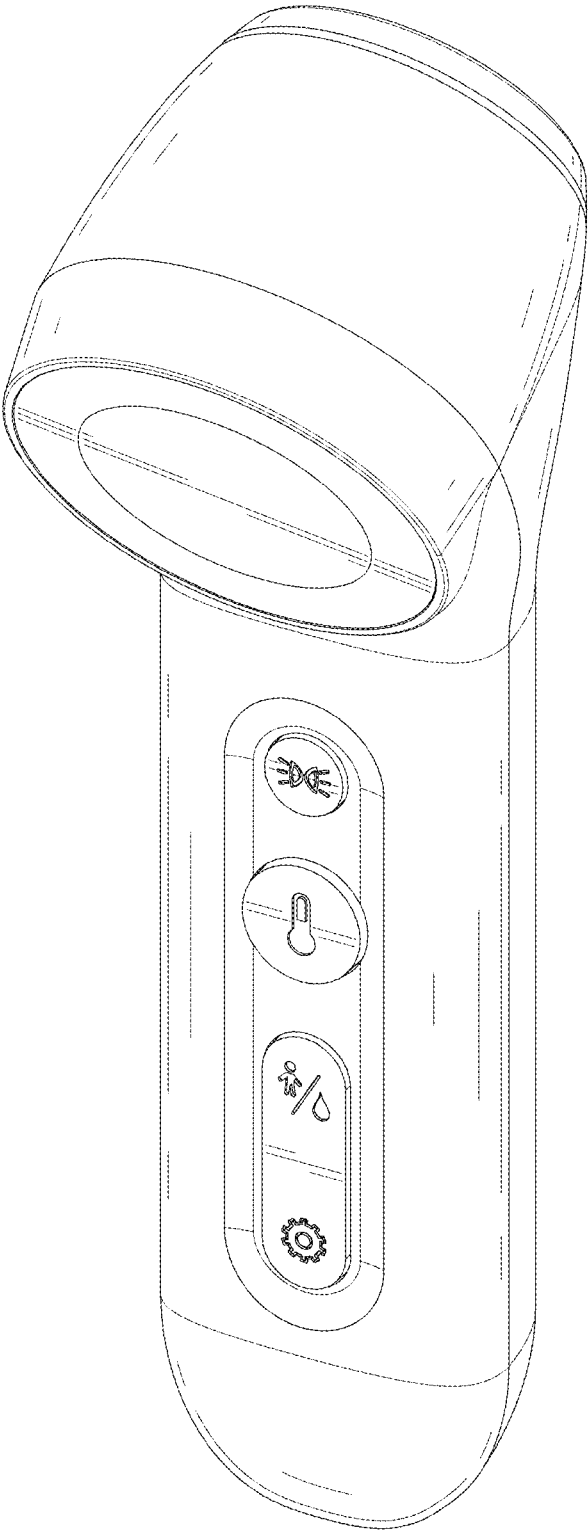


FIG.1

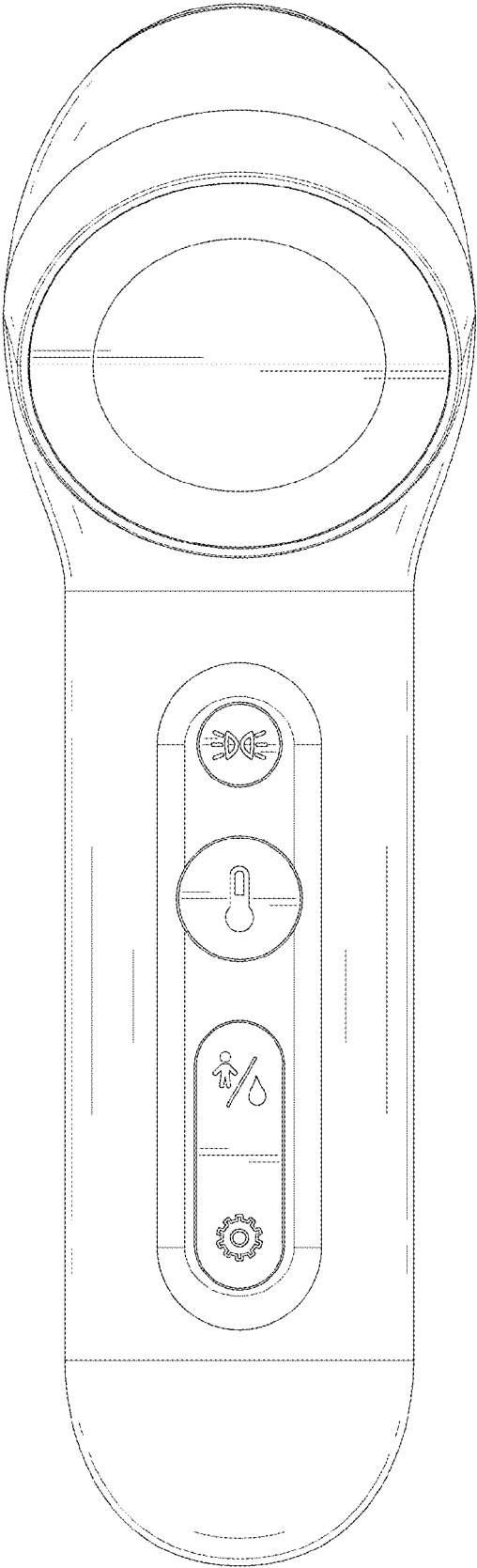


FIG.2

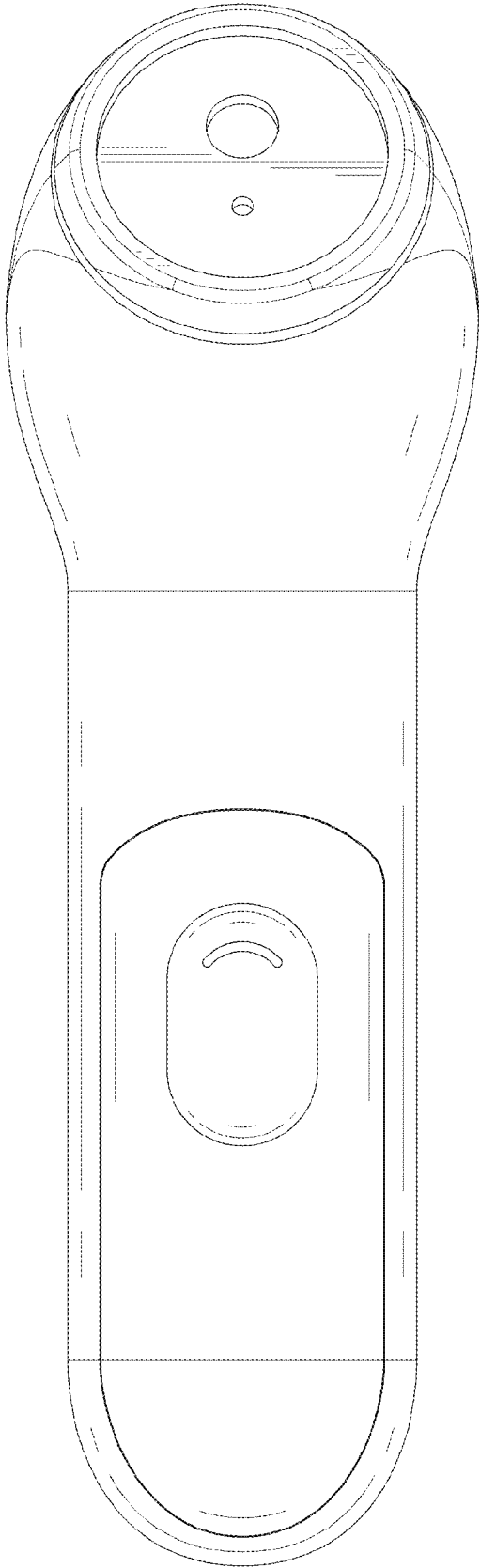


FIG.3

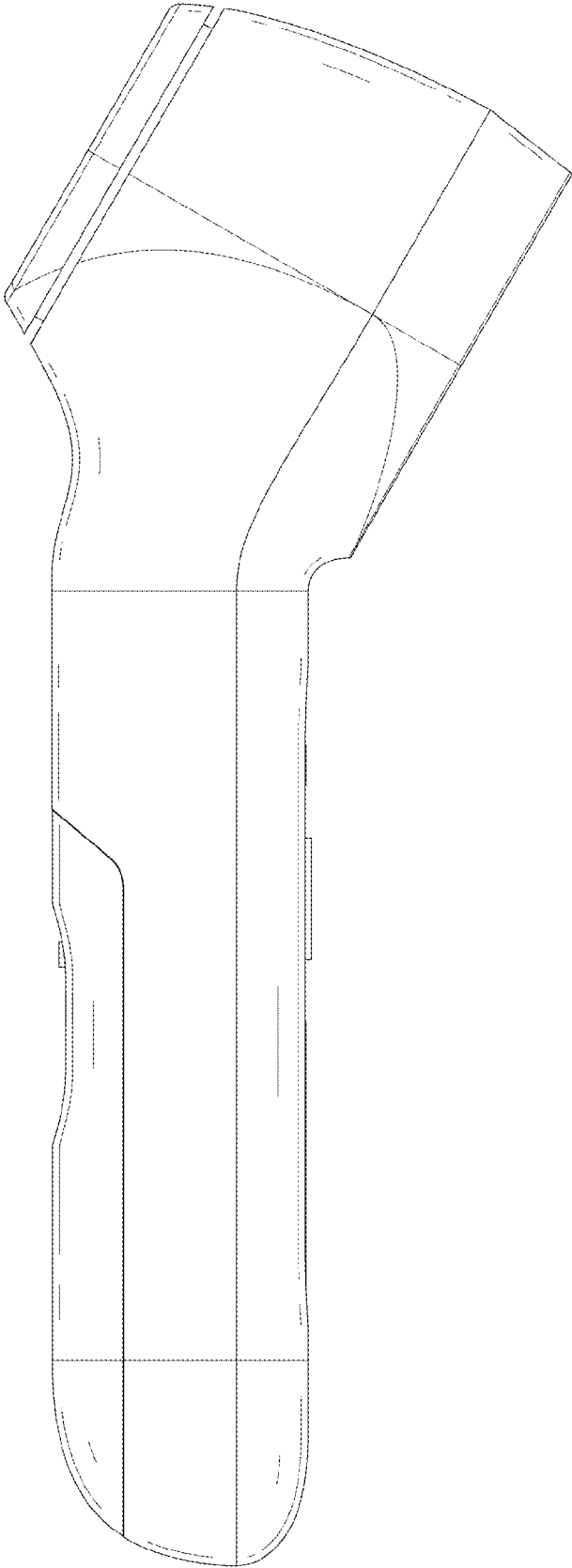


FIG.4

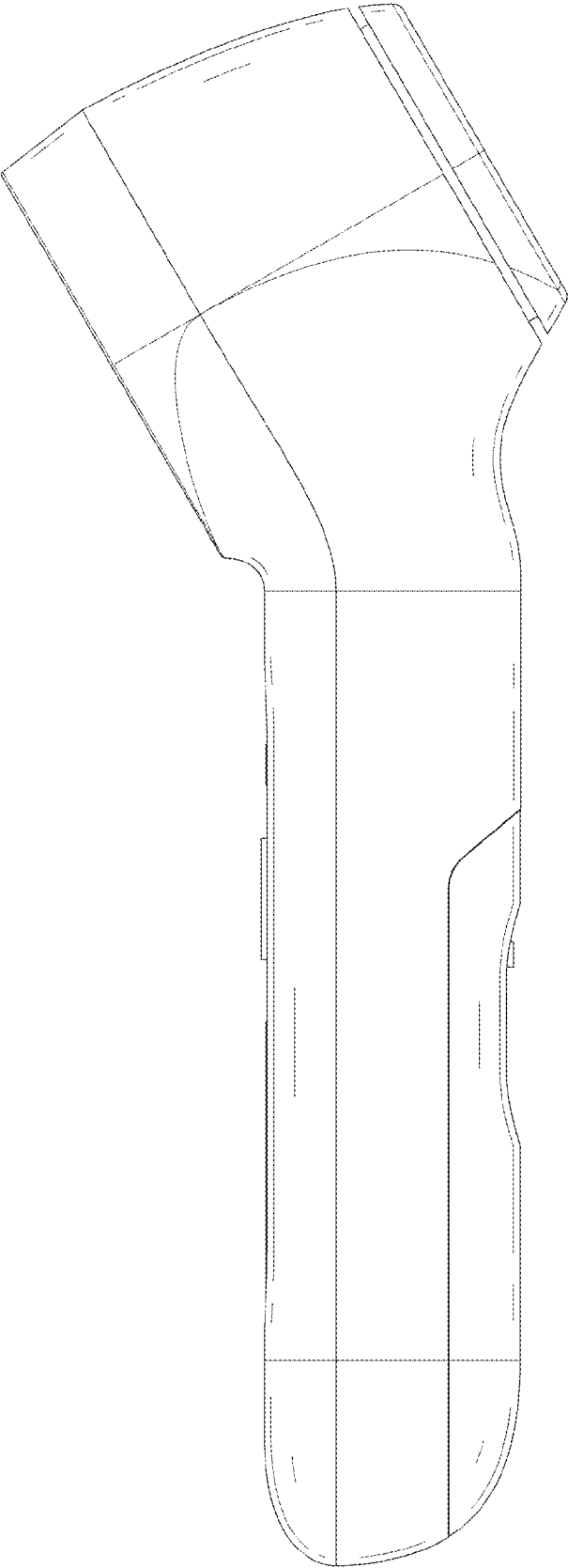


FIG.5

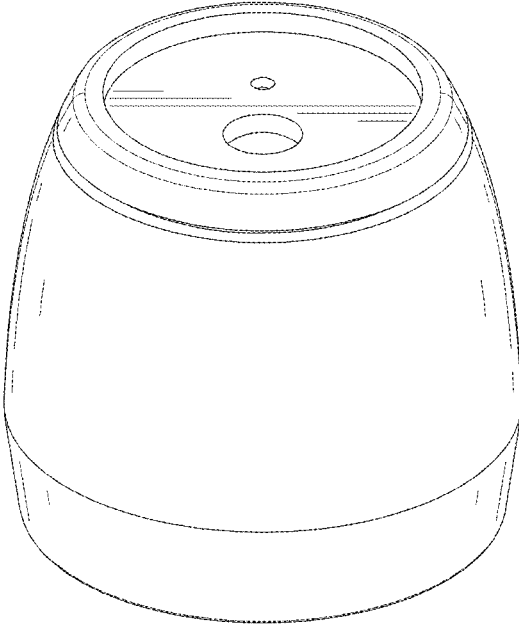


FIG.6

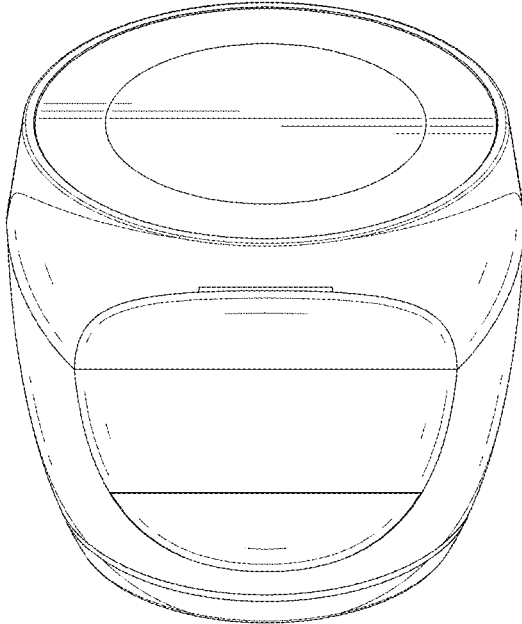


FIG. 7