



US00D733201S

(12) **United States Design Patent**
Baak

(10) **Patent No.:** **US D733,201 S**

(45) **Date of Patent:** **** Jun. 30, 2015**

(54) **MIXING MACHINE**

(71) Applicant: **Fast & Fluid Management B.V.**,
Sassenheim (NL)

(72) Inventor: **Mark Baak**, Lisse (NL)

(73) Assignee: **Fast & Fluid Management B.V.**,
Sassenheim (NL)

(**) Term: **14 Years**

(21) Appl. No.: **29/503,117**

(22) Filed: **Sep. 23, 2014**

(51) **LOC (10) Cl.** **15-99**

(52) **U.S. Cl.**
USPC **D15/147**

(58) **Field of Classification Search**
USPC **D7/376; D9/436; D15/147**
See application file for complete search history.

(56) **References Cited**

U.S. PATENT DOCUMENTS

D213,917	S	*	4/1969	Peterson	D15/147
D258,213	S	*	2/1981	Lydford	D15/147
D264,218	S	*	5/1982	Neuner et al.	D15/147
4,568,194	A	*	2/1986	Gargioni	366/213
5,197,802	A	*	3/1993	Miller et al.	366/217
D347,645	S	*	6/1994	Miller	D15/147
5,383,163	A	*	1/1995	Brunn	366/217
D374,677	S	*	10/1996	Hodson et al.	D15/147

D393,476	S	*	4/1998	Lodige	D15/147
5,906,433	A	*	5/1999	Mazzalveri	366/209
6,290,386	B1	*	9/2001	Baumgartl et al.	366/160.1
D472,908	S	*	4/2003	Schaer	D15/147
6,850,020	B1	*	2/2005	Midas et al.	318/286
7,165,879	B2	*	1/2007	Midas et al.	366/209
D583,398	S	*	12/2008	Seiler	D15/147
D583,619	S	*	12/2008	Basten et al.	D7/376
D598,479	S	*	8/2009	Seiler	D15/147
D662,117	S	*	6/2012	Dorbath	D15/147
D679,934	S	*	4/2013	Majdecki, Jr.	D7/326
D695,324	S	*	12/2013	Ballweg	D15/122
8,678,639	B2	*	3/2014	Tolle et al.	366/200

* cited by examiner

Primary Examiner — Patricia Palasik

(74) *Attorney, Agent, or Firm* — Miller, Matthias & Hull LLP

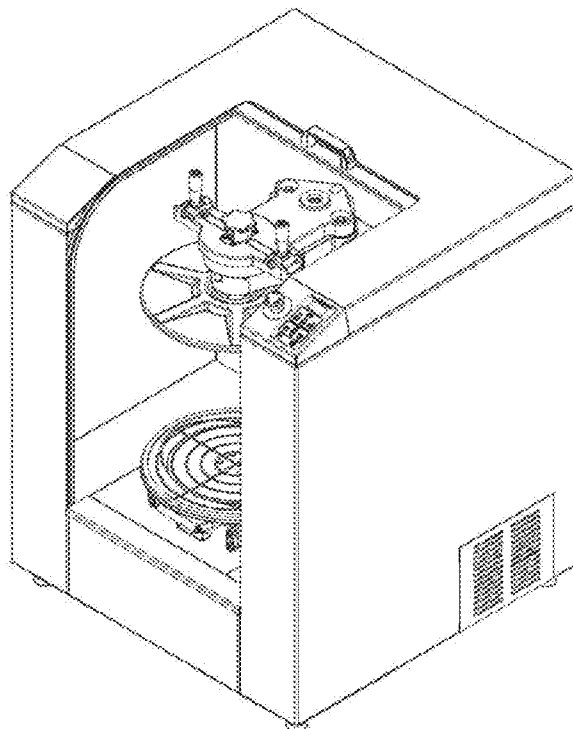
(57) **CLAIM**

The ornamental design for a mixing machine, as shown and described.

DESCRIPTION

FIG. 1 is a left front perspective view of a mixing machine with the cover open and showing my new design;
FIG. 2 is a front elevational view thereof;
FIG. 3 is a top plan view thereof;
FIG. 4 is a left side elevational view thereof;
FIG. 5 is a right side elevational view thereof;
FIG. 6 is a rear elevational view of the beanie of FIG. 1; and
FIG. 7 is a left front perspective view with the cover closed.

1 Claim, 7 Drawing Sheets



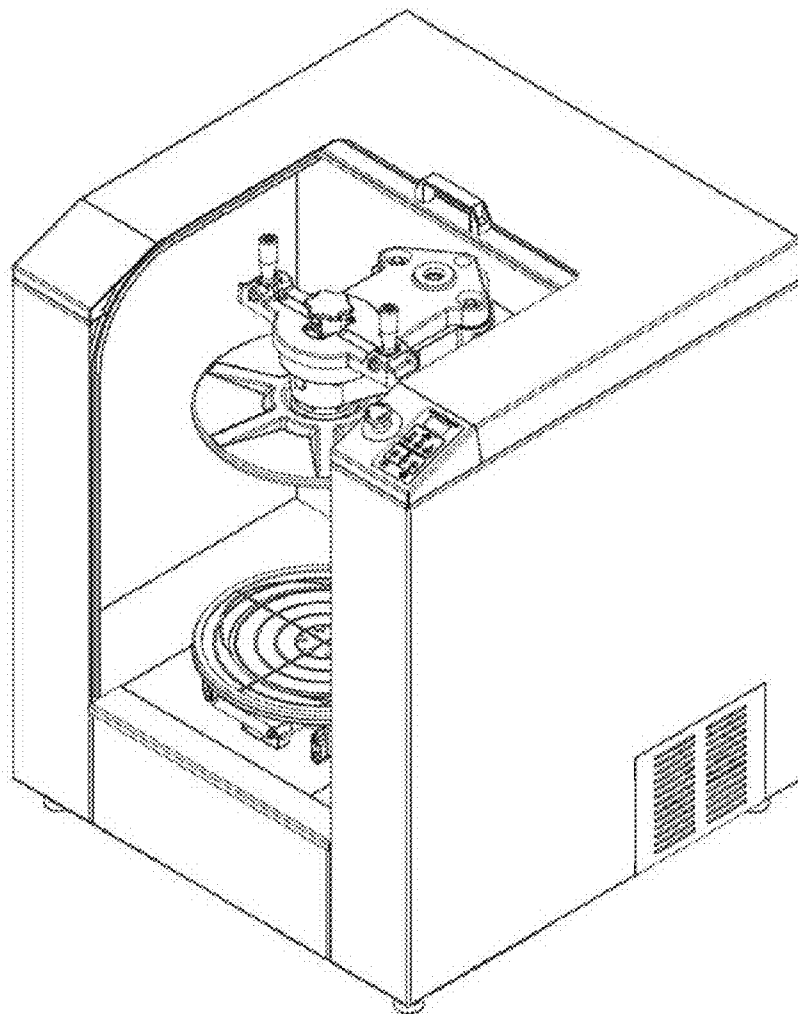


FIG.1

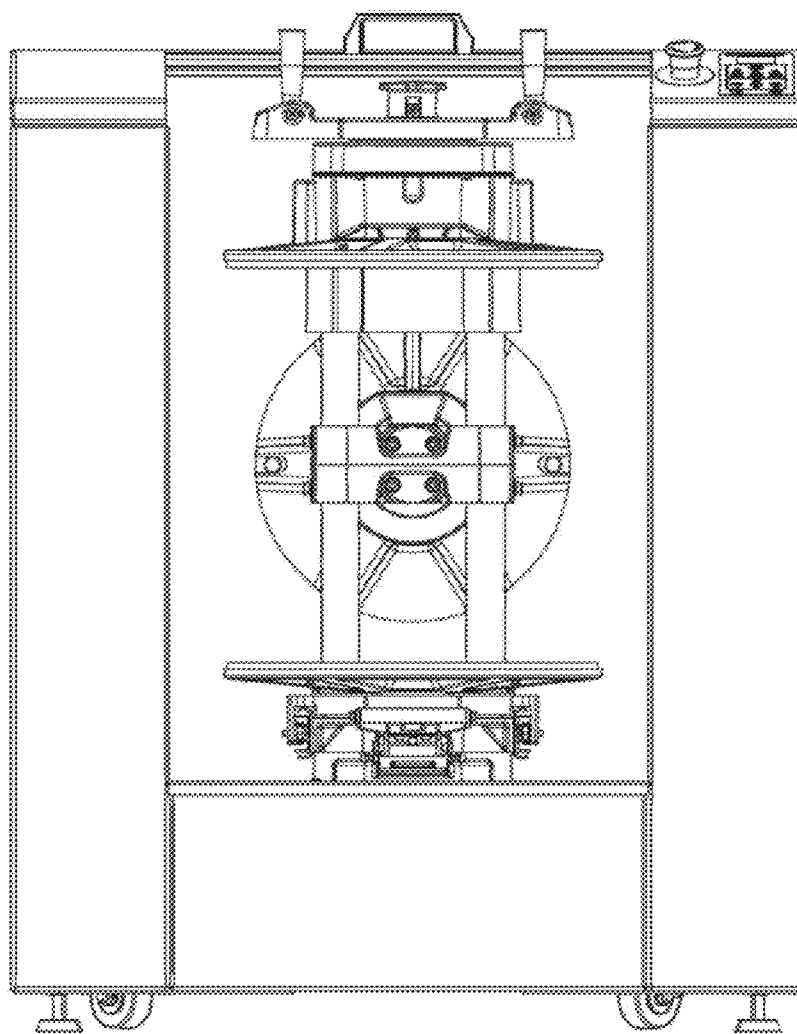


FIG.2

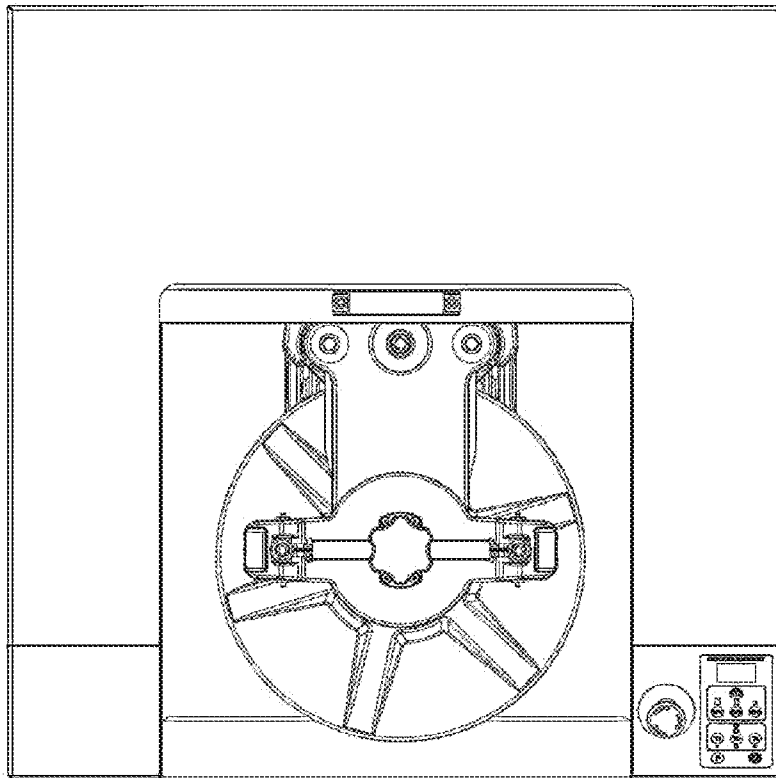


FIG.3

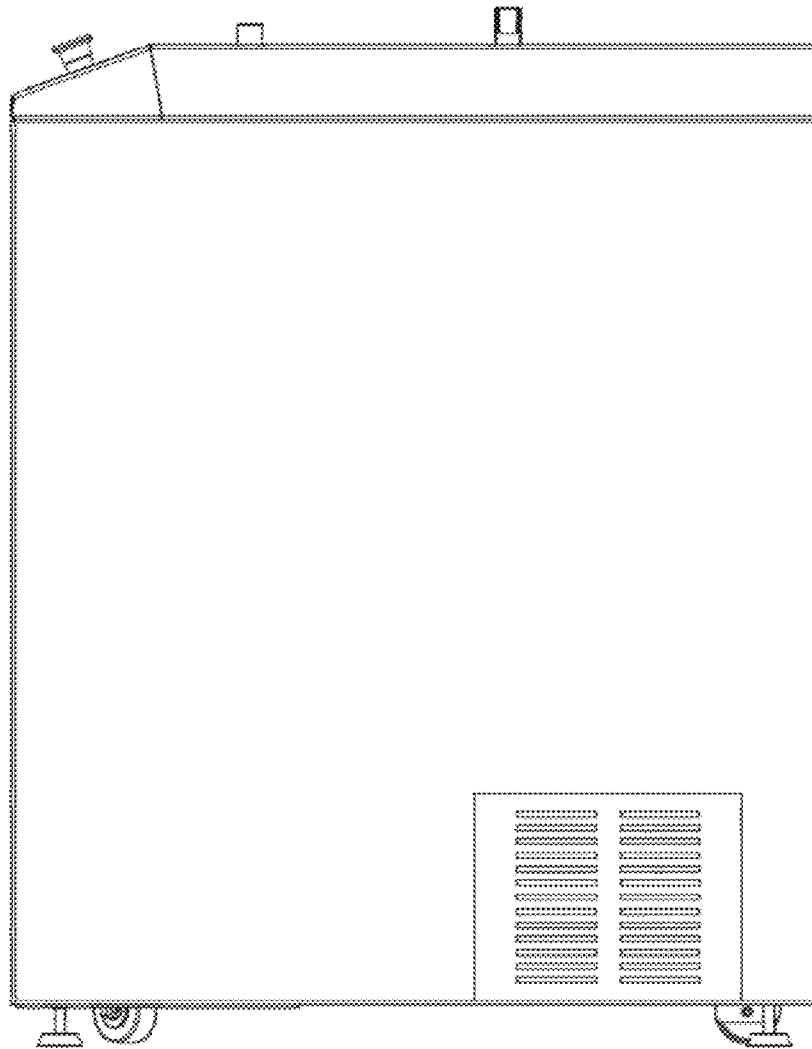


FIG.4

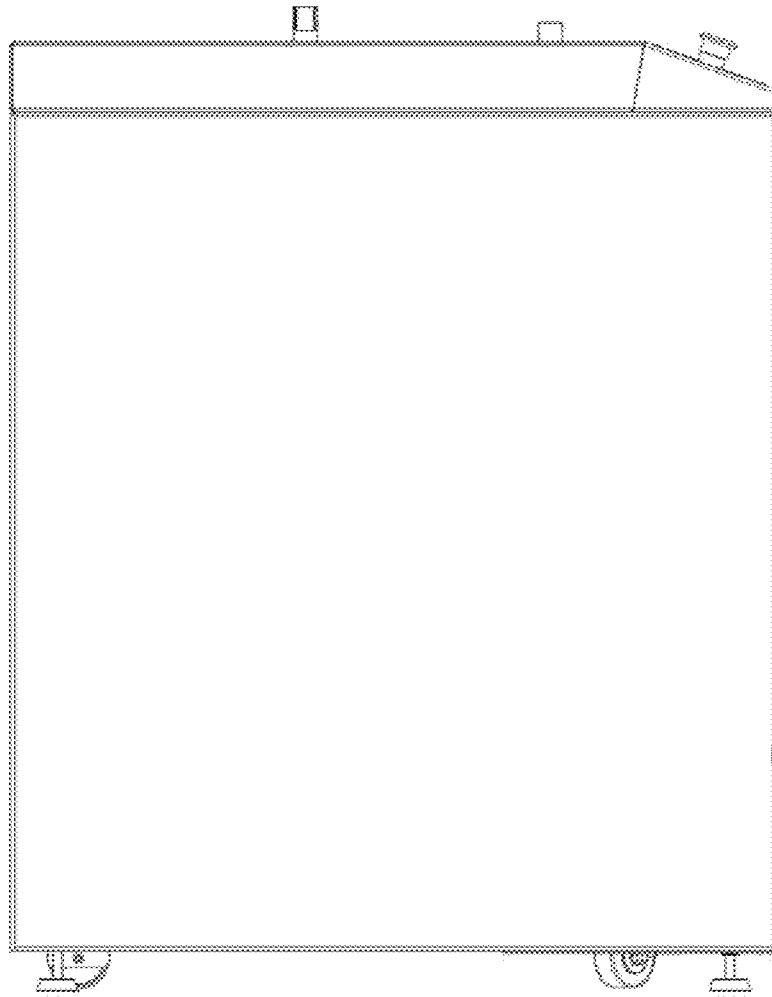


FIG.5

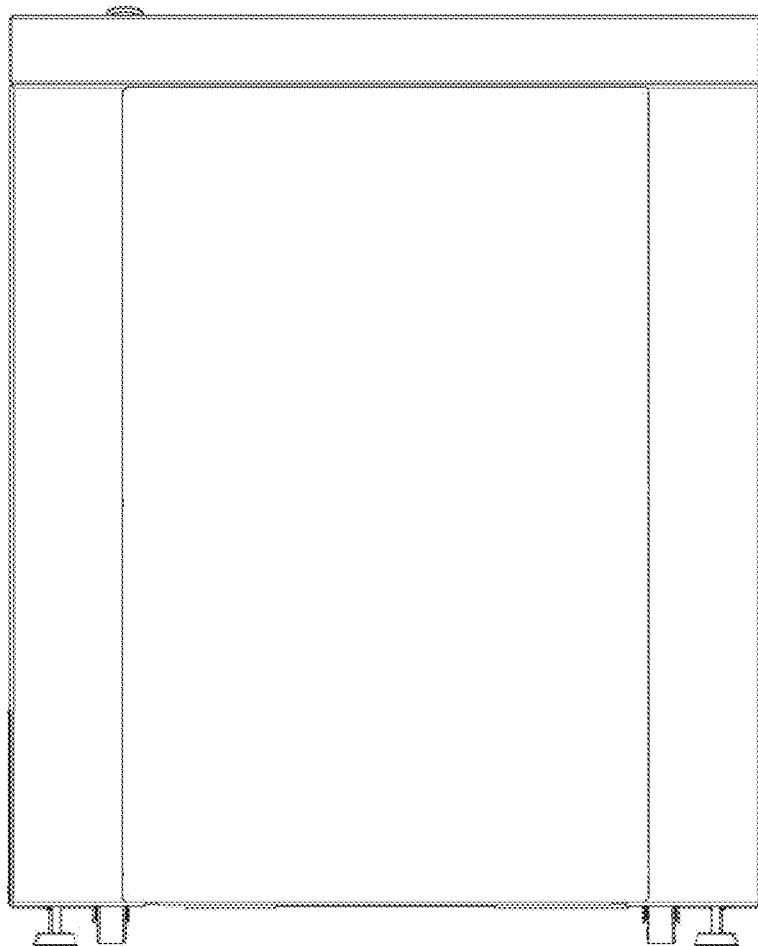


FIG.6

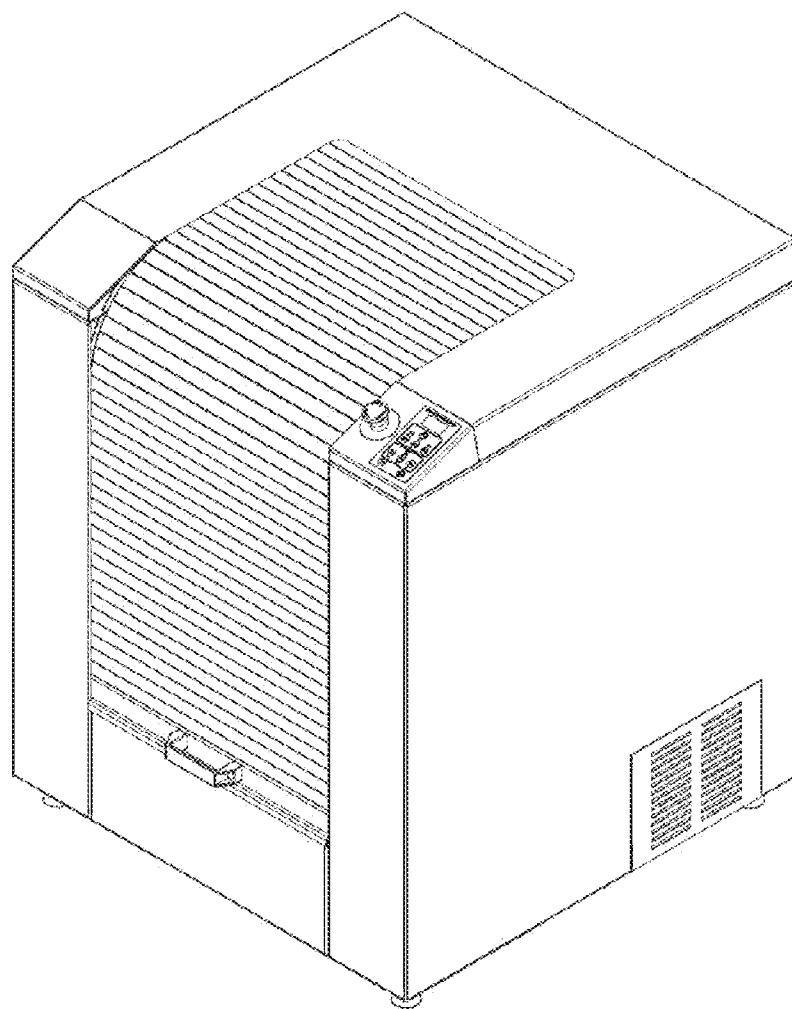


FIG.7