



US00D549633S

(12) **United States Design Patent**  
**Sycha**

(10) **Patent No.:** **US D549,633 S**

(45) **Date of Patent:** **\*\* Aug. 28, 2007**

(54) **FRONT FACE OF A VEHICLE WHEEL**

(75) Inventor: **Thomas Peter Sycha**, Munich (DE)

(73) Assignee: **Bayerische Motoren Werke Aktiengesellschaft**, Munich (DE)

(\*\*) Term: **14 Years**

D499,681 S	*	12/2004	Boyer	.....	D12/209
D503,915 S	*	4/2005	Markefka	.....	D12/209
D504,858 S	*	5/2005	Pfeiffer	.....	D12/209
D505,903 S	*	6/2005	Nordmann	.....	D12/209
D510,719 S	*	10/2005	Noble	.....	D12/211
D513,221 S	*	12/2005	Pfeiffer	.....	D12/211
D519,434 S	*	4/2006	Werner	.....	D12/211
D527,325 S	*	8/2006	Nagashima	.....	D12/209

(21) Appl. No.: **29/265,349**

(22) Filed: **Aug. 31, 2006**

(30) **Foreign Application Priority Data**

Mar. 1, 2006 (DE) ..... 4 06 01 173

(51) **LOC (8) Cl.** ..... **12-16**

(52) **U.S. Cl.** ..... **D12/209**

(58) **Field of Classification Search** ..... D12/204-213;  
301/37.101, 64.101, 65

See application file for complete search history.

(56) **References Cited**

**U.S. PATENT DOCUMENTS**

D396,839 S	*	8/1998	Cullen	.....	D12/211
D402,252 S	*	12/1998	Kulla	.....	D12/211
D461,754 S	*	8/2002	Hoshino	.....	D12/209
D480,672 S	*	10/2003	Pfeiffer et al.	.....	D12/209
D493,405 S	*	7/2004	Boyer	.....	D12/211

**FOREIGN PATENT DOCUMENTS**

JP 01081362 2/2000

\* cited by examiner

*Primary Examiner*—Stacia Cadmus

(74) *Attorney, Agent, or Firm*—Crowell & Moring LLP

(57) **CLAIM**

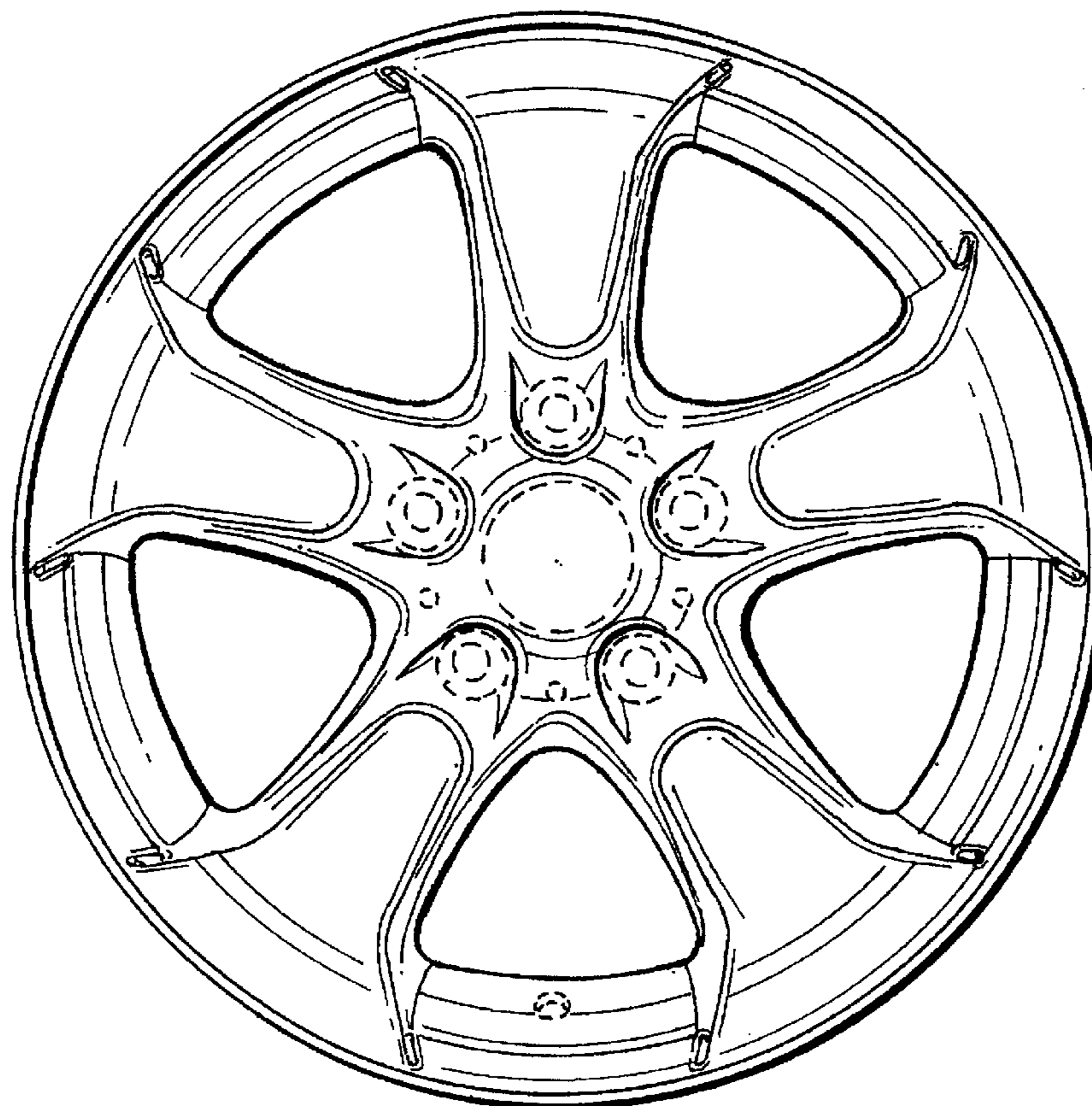
The ornamental design for a front face of a vehicle wheel, as shown and described.

**DESCRIPTION**

FIG. 1 is a front view of a front face of a vehicle wheel according to my novel design; and, FIG. 2 is a perspective view thereof.

The broken lines are for illustrative purposes only and form no part of the claimed design.

**1 Claim, 1 Drawing Sheet**



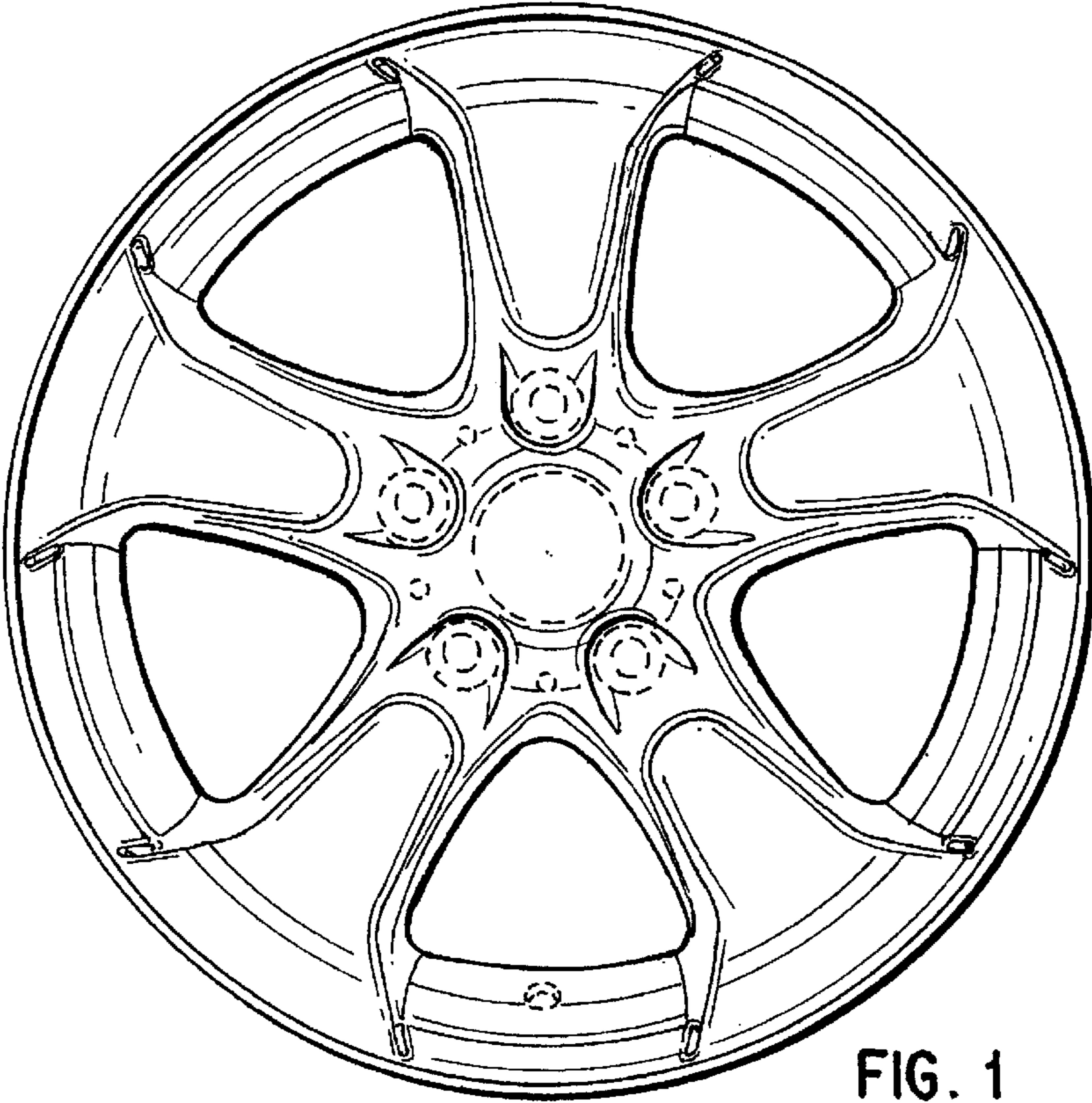


FIG. 1

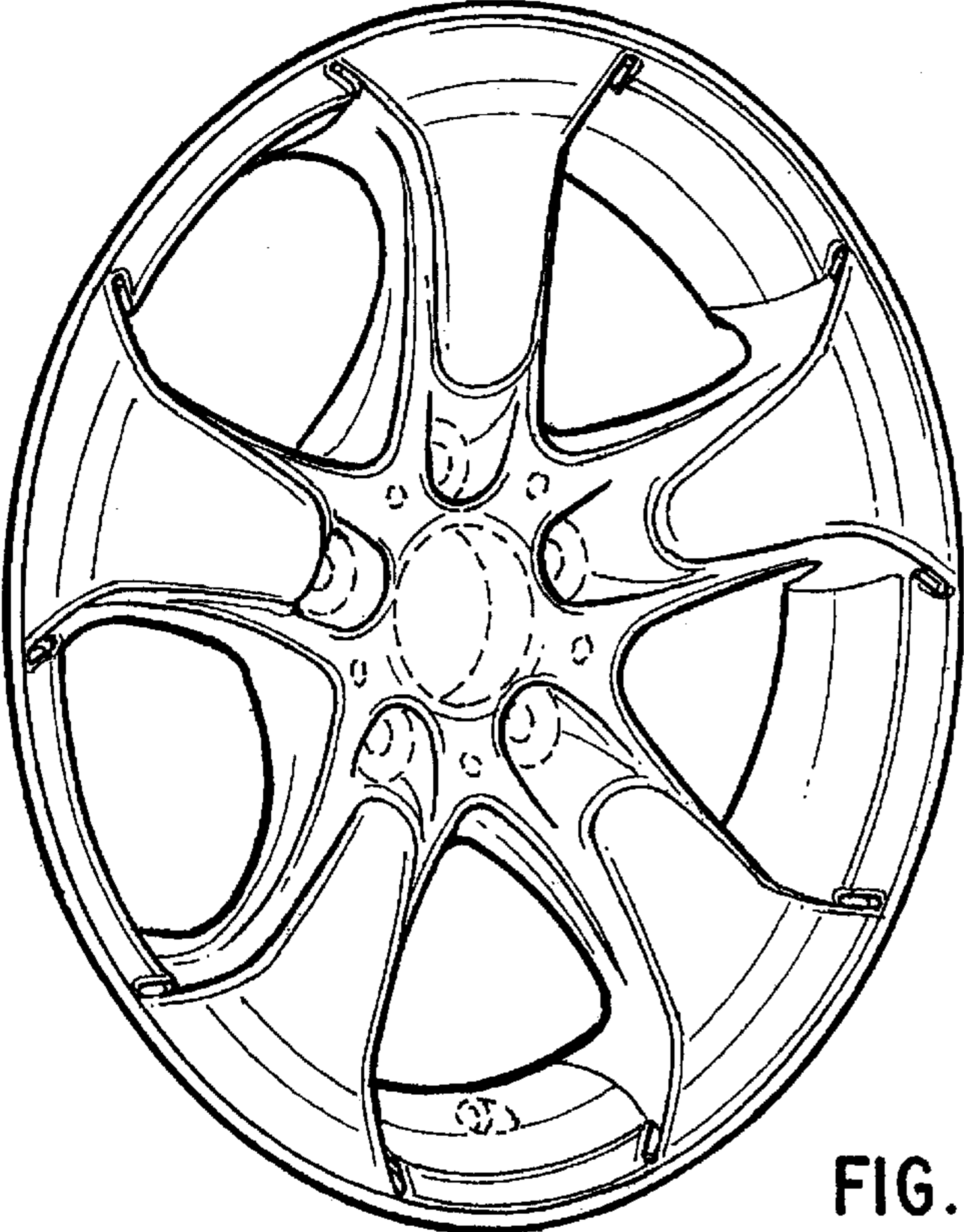


FIG. 2