



US00D566712S

(12) **United States Design Patent**
Ah

(10) **Patent No.:** **US D566,712 S**

(45) **Date of Patent:** **** Apr. 15, 2008**

(54) **PORTABLE BAR CODE READER**

(75) Inventor: **Hyun-Woo Ah**, Seoul (KR)

(73) Assignee: **Bluebird Soft** (KR)

(**) Term: **14 Years**

(21) Appl. No.: **29/281,148**

(22) Filed: **Jun. 15, 2007**

(30) **Foreign Application Priority Data**

Dec. 15, 2006 (KR) 30-2006-0049967

(51) **LOC (8) CL.** **14-02**

(52) **U.S. Cl.** **D14/426**

(58) **Field of Classification Search** D14/420,
D14/426-430, 453, 346, 341, 347, 412, 138;
D13/107, 184; 358/473; 235/462.43, 462.45,
235/462.47, 462.48, 462.44, 462.46, 487,
235/472.01, 472.02, 145 A, 145 R; D10/78;
324/426; D3/273; 710/73; D18/7; 361/679;
382/313, 321; 455/575.1, 561, 572; 345/156,
345/168, 169, 172, 173, 87

See application file for complete search history.

(56) **References Cited**

U.S. PATENT DOCUMENTS

4,260,979	A *	4/1981	Smith	382/313
D295,416	S *	4/1988	Glaberson	D14/422
D297,431	S *	8/1988	Beard et al.	D14/431
5,231,293	A *	7/1993	Longacre, Jr.	235/462.45
D342,256	S *	12/1993	Payne et al.	D14/218
D343,829	S *	2/1994	Okuda et al.	D14/426
D352,939	S *	11/1994	Karlin	D14/426

5,428,212	A *	6/1995	Tani et al.	235/472.01
D361,564	S *	8/1995	Inaba	D14/426
D383,735	S *	9/1997	Privitera et al.	D14/420
5,767,500	A *	6/1998	Cordes et al.	235/462.47
5,852,288	A *	12/1998	Nakazawa et al.	235/472.01
6,073,852	A *	6/2000	Seo	235/472.01
D474,414	S *	5/2003	Ikeda et al.	D10/78
6,749,121	B2 *	6/2004	Connolly et al.	235/472.01
7,014,114	B2 *	3/2006	Maiman	235/454
7,243,850	B2 *	7/2007	Tamburrini et al.	235/462.45
2003/0141370	A1 *	7/2003	Hamilton et al.	235/462.45
2004/0149829	A1 *	8/2004	Boucher et al.	235/462.43

* cited by examiner

Primary Examiner—Melanie Tung

Assistant Examiner—Susan Moon Lee

(74) *Attorney, Agent, or Firm*—Cantor Colburn LLP

(57) **CLAIM**

I claim the ornamental design for a portable bar code reader, as shown and described.

DESCRIPTION

FIG. 1 is a top and front perspective view of portable bar code reader showing my new design;

FIG. 2 is a greatly enlarged front elevation view thereof;

FIG. 3 is a greatly enlarged rear elevation view thereof;

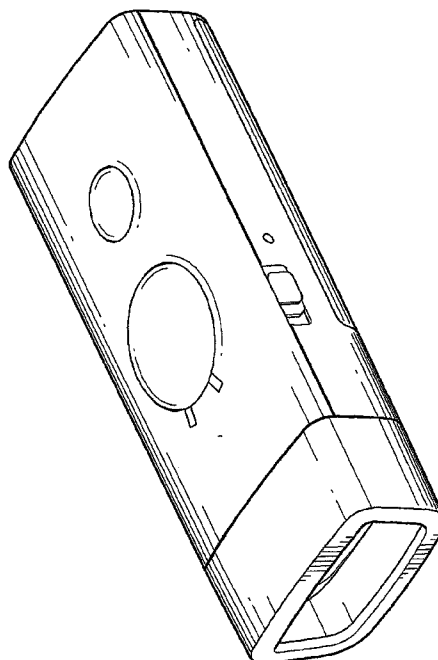
FIG. 4 is an enlarged left side elevation view thereof;

FIG. 5 is an enlarged right side elevation view thereof;

FIG. 6 is an enlarged top view thereof; and,

FIG. 7 is an enlarged bottom view thereof.

1 Claim, 7 Drawing Sheets



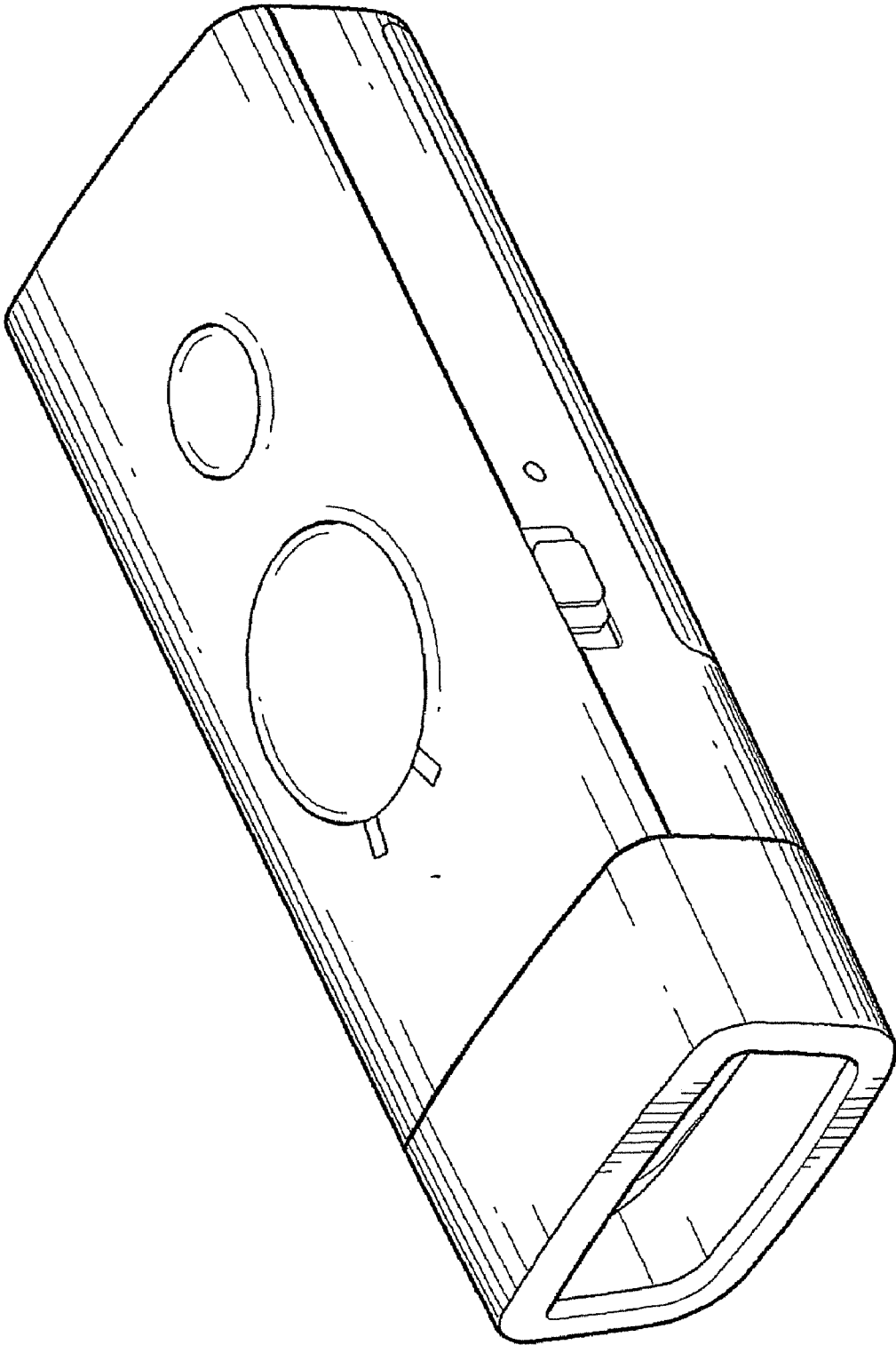


FIG. 1

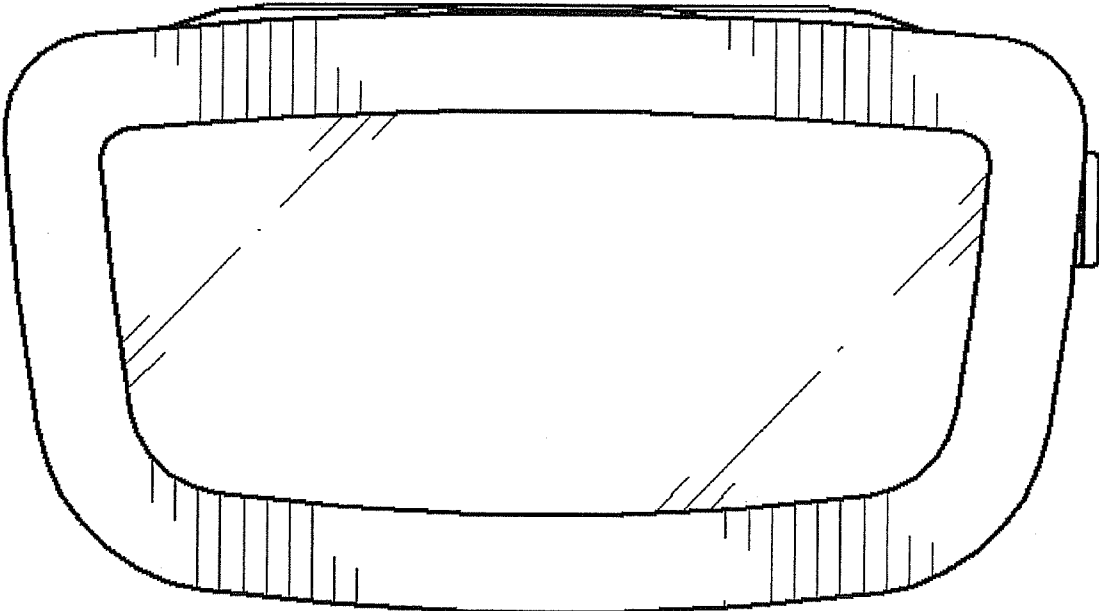


FIG. 2

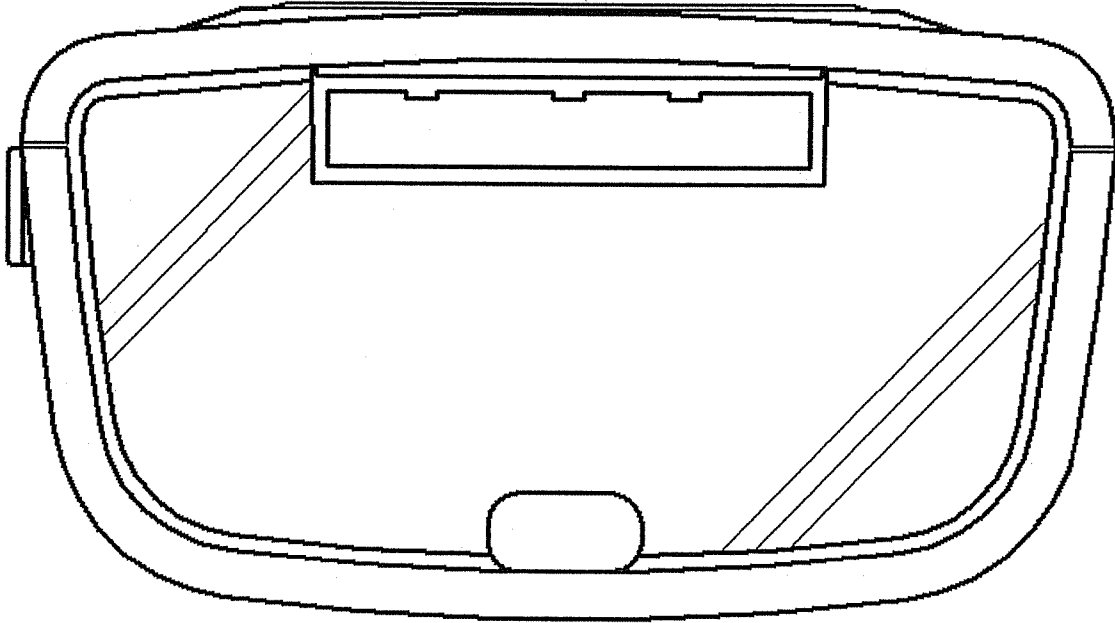


FIG. 3

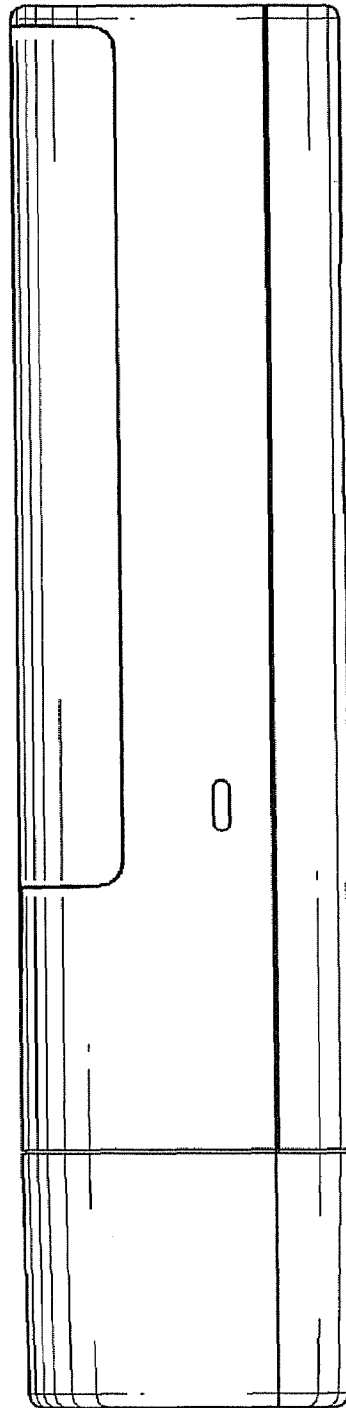


FIG. 4

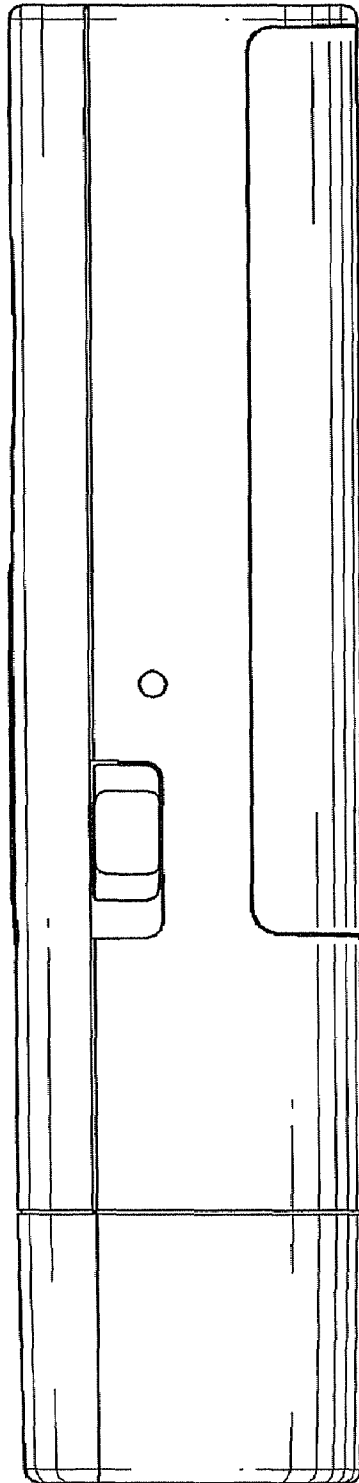


FIG. 5

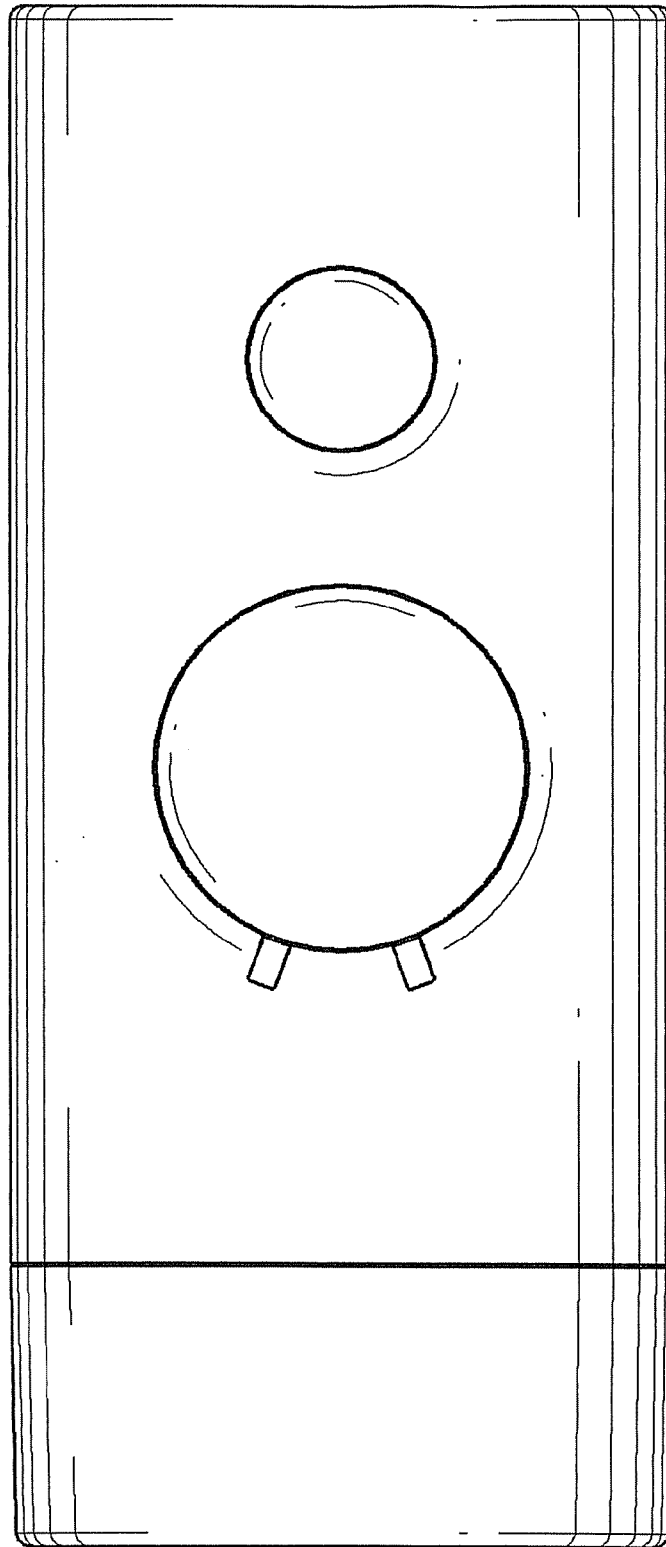


FIG. 6

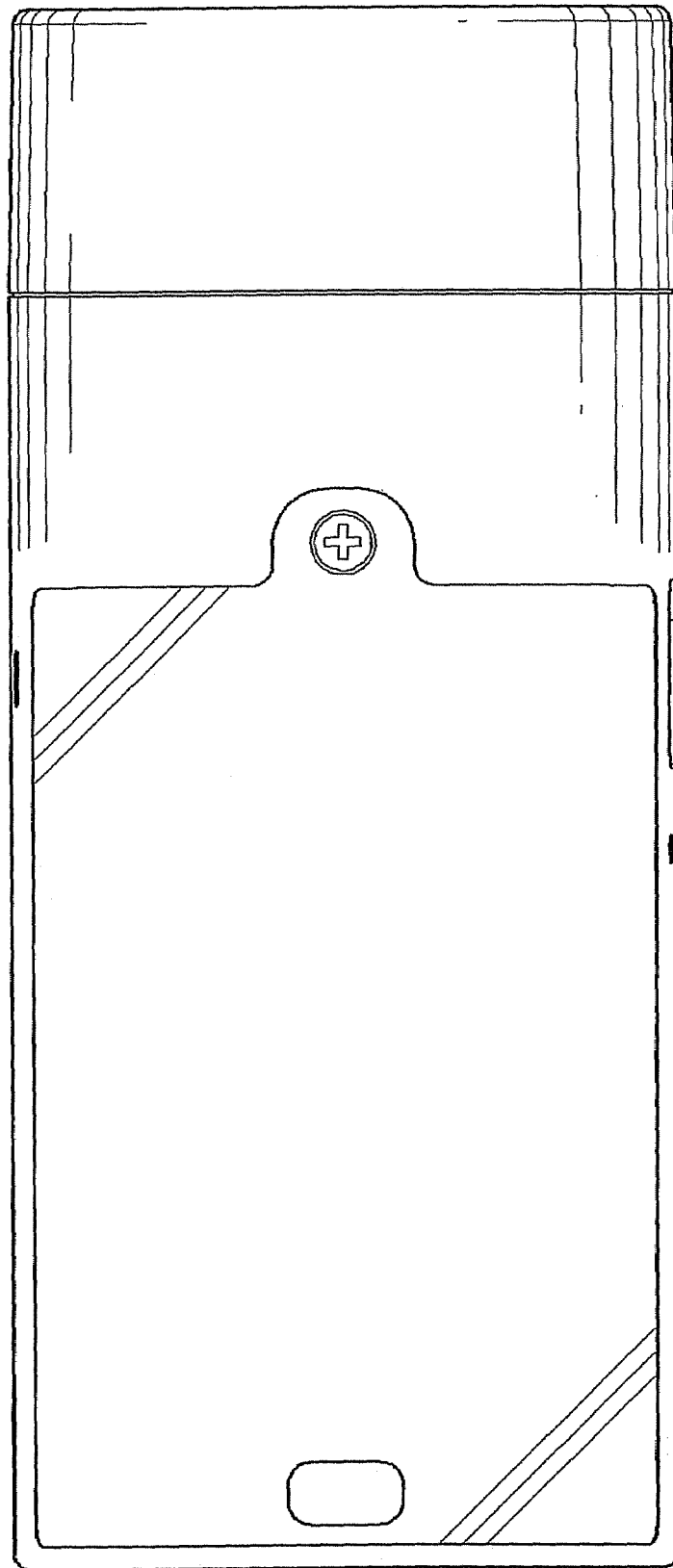


FIG. 7