

US00D549692S

(12) **United States Design Patent**
Mizokawa

(10) **Patent No.:** **US D549,692 S**

(45) **Date of Patent:** **** Aug. 28, 2007**

(54) **SPEAKER FOR AN AUTOMOBILE**

(75) Inventor: **Hiroyuki Mizokawa**, Osaka (JP)

(73) Assignee: **Matsushita Electric Industrial Co., Ltd.**, Osaka (JP)

(**) Term: **14 Years**

(21) Appl. No.: **29/260,742**

(22) Filed: **May 31, 2006**

(30) **Foreign Application Priority Data**

Dec. 2, 2005 (JP) 2005-035672

(51) **LOC (8) Cl.** **14-01**

(52) **U.S. Cl.** **D14/216**

(58) **Field of Classification Search** D14/204,
D14/209-216, 221-222; 181/143-144, 147-148,
181/150, 157, 198-199, 151, 153; 381/300-302,
381/306, 333, 345, 361-364, 386-388, 332,
381/336

See application file for complete search history.

(56) **References Cited**

U.S. PATENT DOCUMENTS

D87,689 S	8/1932	Sinel
D186,670 S	11/1959	Durbin
D188,542 S	8/1960	Levy et al.
D197,716 S	3/1964	Boldt et al.
D253,108 S	10/1979	Schroeder
D254,252 S	2/1980	Matsubara
D265,086 S	6/1982	Kawachi
D270,909 S	10/1983	Iijima
D273,008 S	3/1984	Ishizaki
D281,065 S	10/1985	Katsuno
D302,695 S	8/1989	Weissberg et al.
4,965,837 A	10/1990	Murayama et al.
D317,160 S	5/1991	Kurata et al.
D320,020 S	9/1991	Iwano
D336,475 S	6/1993	Christie
6,095,278 A	8/2000	Lin

6,282,297 B1 *	8/2001	Lin	381/386
D451,908 S	12/2001	Mackie et al.		
D465,780 S	11/2002	Shindo		
D472,545 S	4/2003	Iijima et al.		
D480,070 S	9/2003	Hakoda		
D480,710 S	10/2003	Rivera		
D488,802 S *	4/2004	Uehara et al.	D14/216
D493,445 S *	7/2004	Iijima et al.	D14/216
D497,902 S *	11/2004	Farinelli et al.	D14/216
D506,748 S	6/2005	Garretson et al.		
D506,992 S	7/2005	Suzuki		
D506,993 S	7/2005	Suzuki		
D507,560 S	7/2005	Sugiyama		
D509,213 S	9/2005	Hasbrook		
D510,084 S	9/2005	Hasbrook		
D523,422 S *	6/2006	Ishikawa et al.	D14/221

FOREIGN PATENT DOCUMENTS

JP D1157504 11/2002

(Continued)

Primary Examiner—Nanda Bondade

(74) *Attorney, Agent, or Firm*—Brinks Hofer Gilson & Lione

(57) **CLAIM**

I claim the ornamental design for a speaker for an automobile, as shown and described.

DESCRIPTION

FIG. 1 is a top perspective view of a speaker for an automobile of the present invention;

FIG. 2 is a front view thereof;

FIG. 3 is a top view thereof;

FIG. 4 is a bottom view thereof;

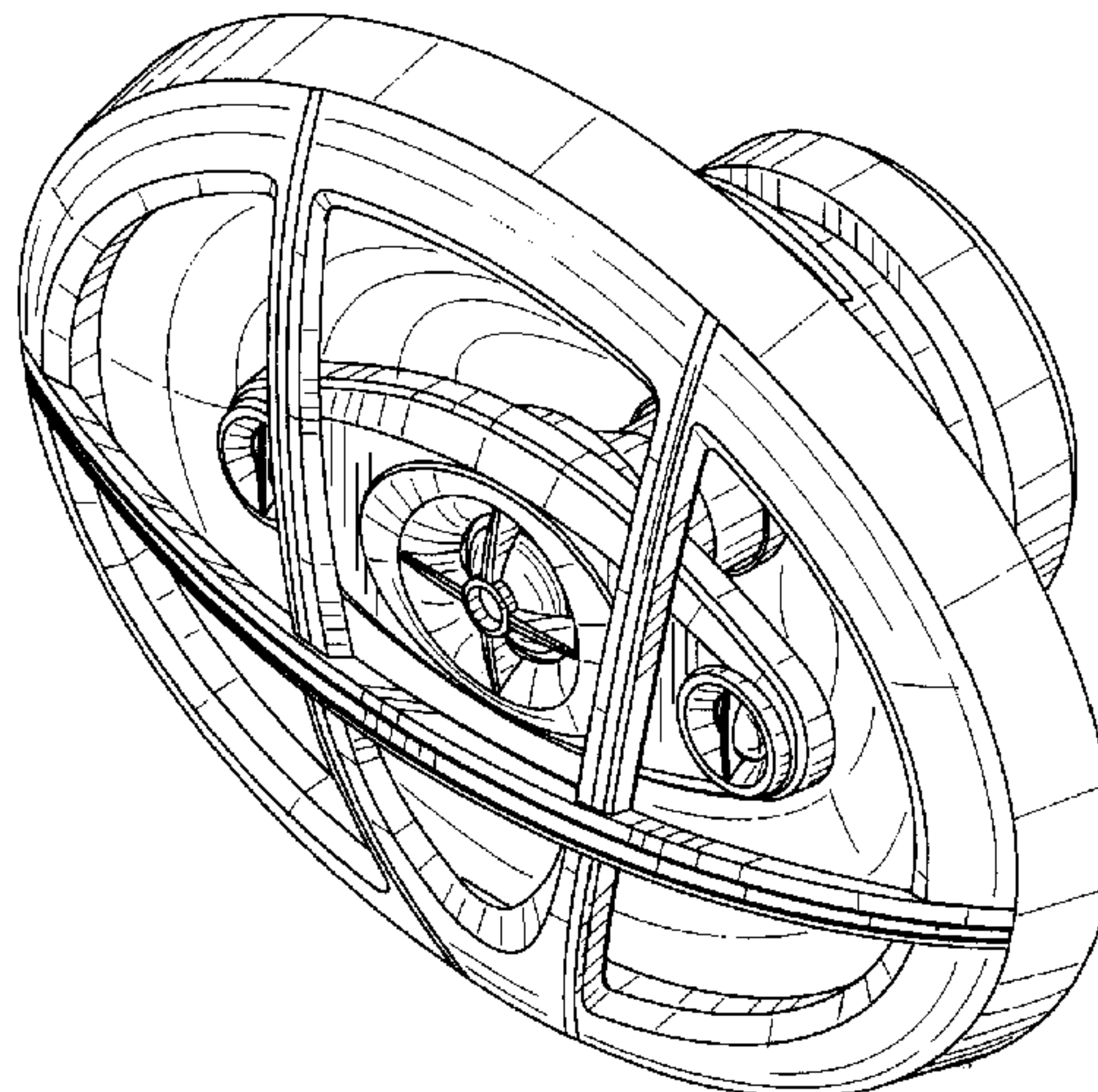
FIG. 5 is a rear view thereof;

FIG. 6 is a first side view thereof;

FIG. 7 is a second side view thereof; and,

FIG. 8 is a rear perspective view thereof.

1 Claim, 4 Drawing Sheets



US D549,692 S

Page 2

FOREIGN PATENT DOCUMENTS					
			JP	D1241403	6/2005
			JP	D1241405	6/2005
			JP	D1244078	6/2005
JP	D1157505	11/2002	JP	D1244110	6/2005
JP	D1159674	12/2002	JP	D1245202	7/2005
JP	D1191947	12/2003	JP	D1247477	8/2005
JP	D1191948	12/2003	JP	D1247478	8/2005
JP	D1192160	12/2003	JP	D1247584	8/2005
JP	D1192162	12/2003	JP	D1247585	8/2005
JP	D1193799	1/2004	JP	D1256577	11/2005
JP	D1201052	4/2004	JP	D1256578	11/2005
JP	D1201607	4/2004			
JP	D1223330	11/2004			
JP	D1223331	11/2004			

* cited by examiner

FIG.1

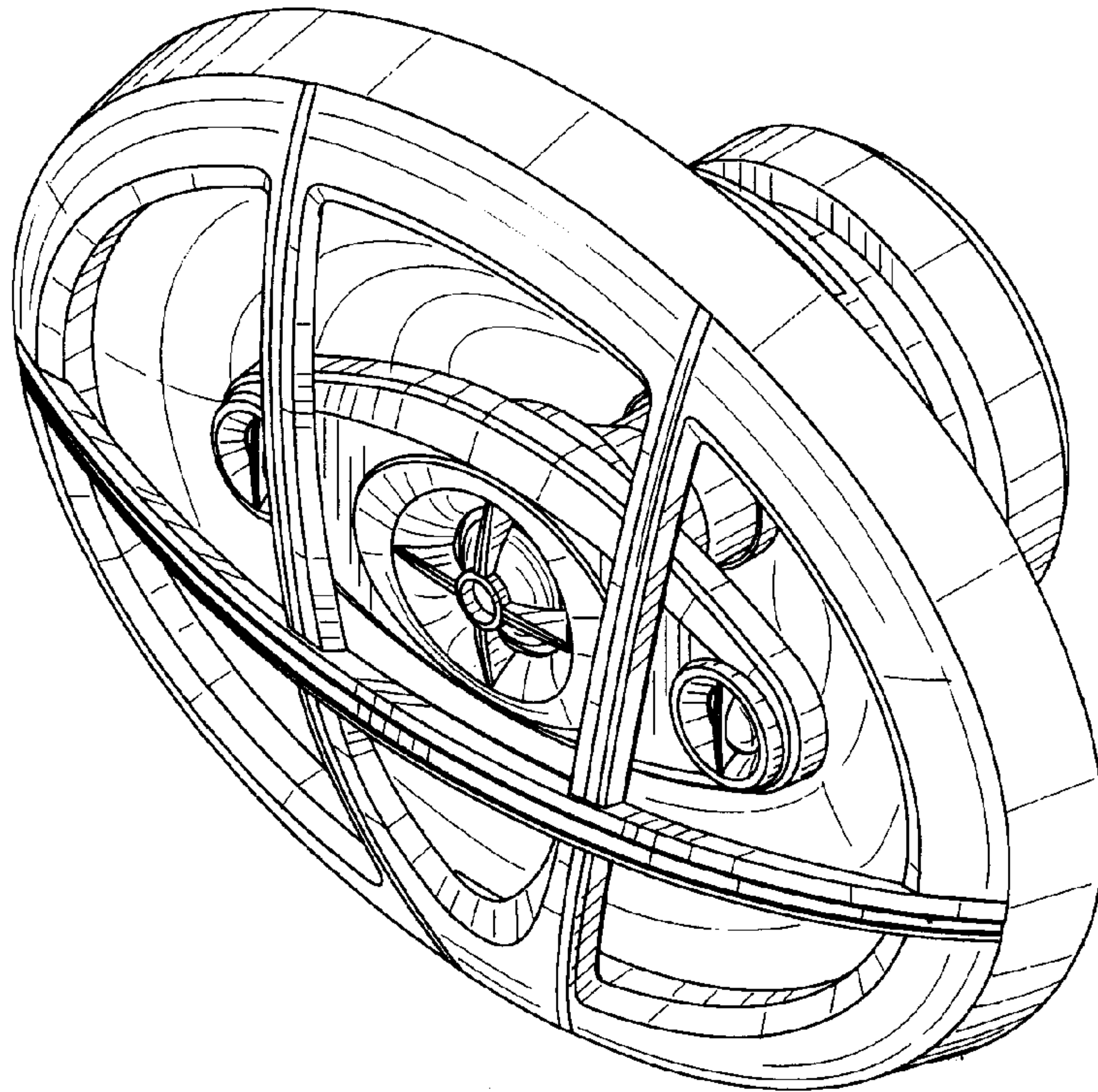


FIG.2

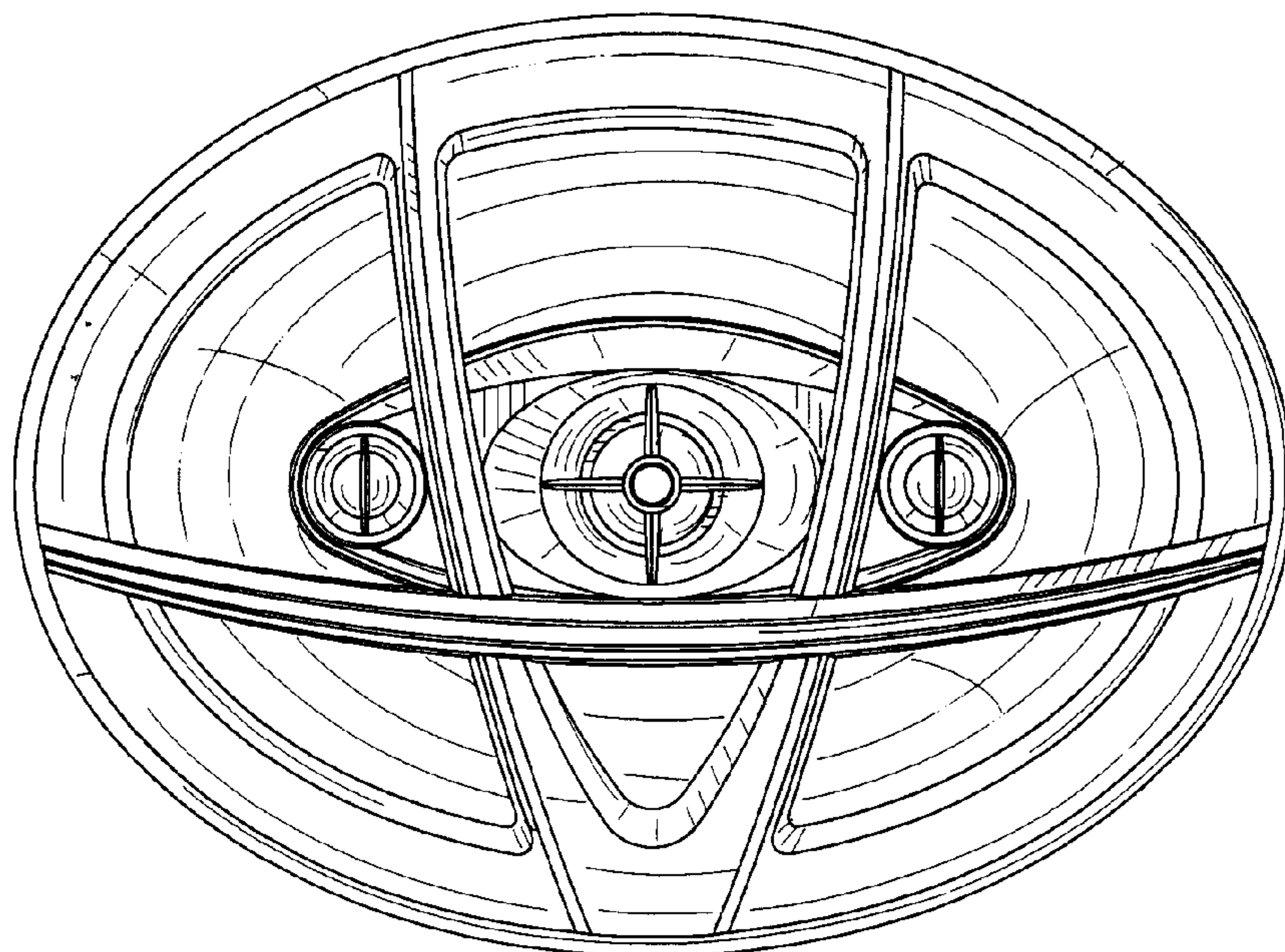


FIG.3

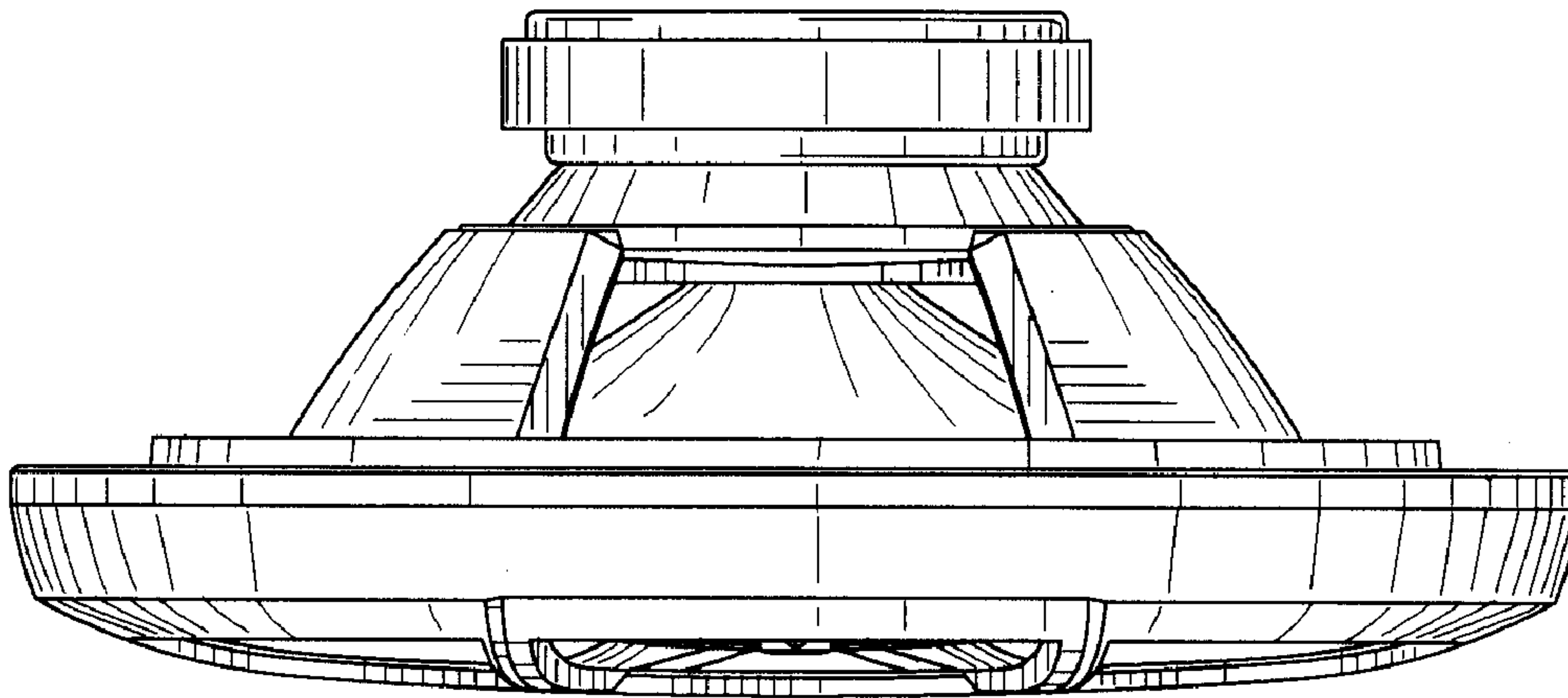


FIG.4

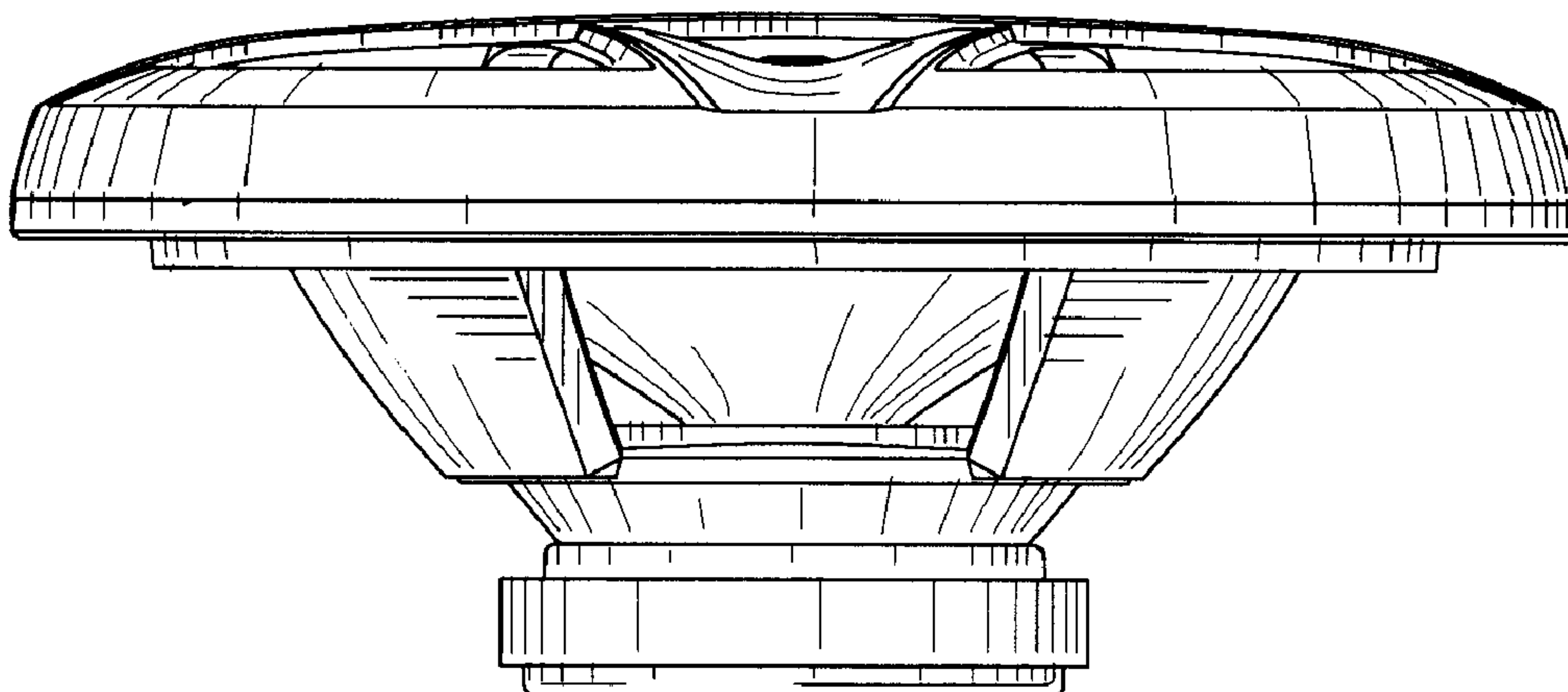


FIG.5

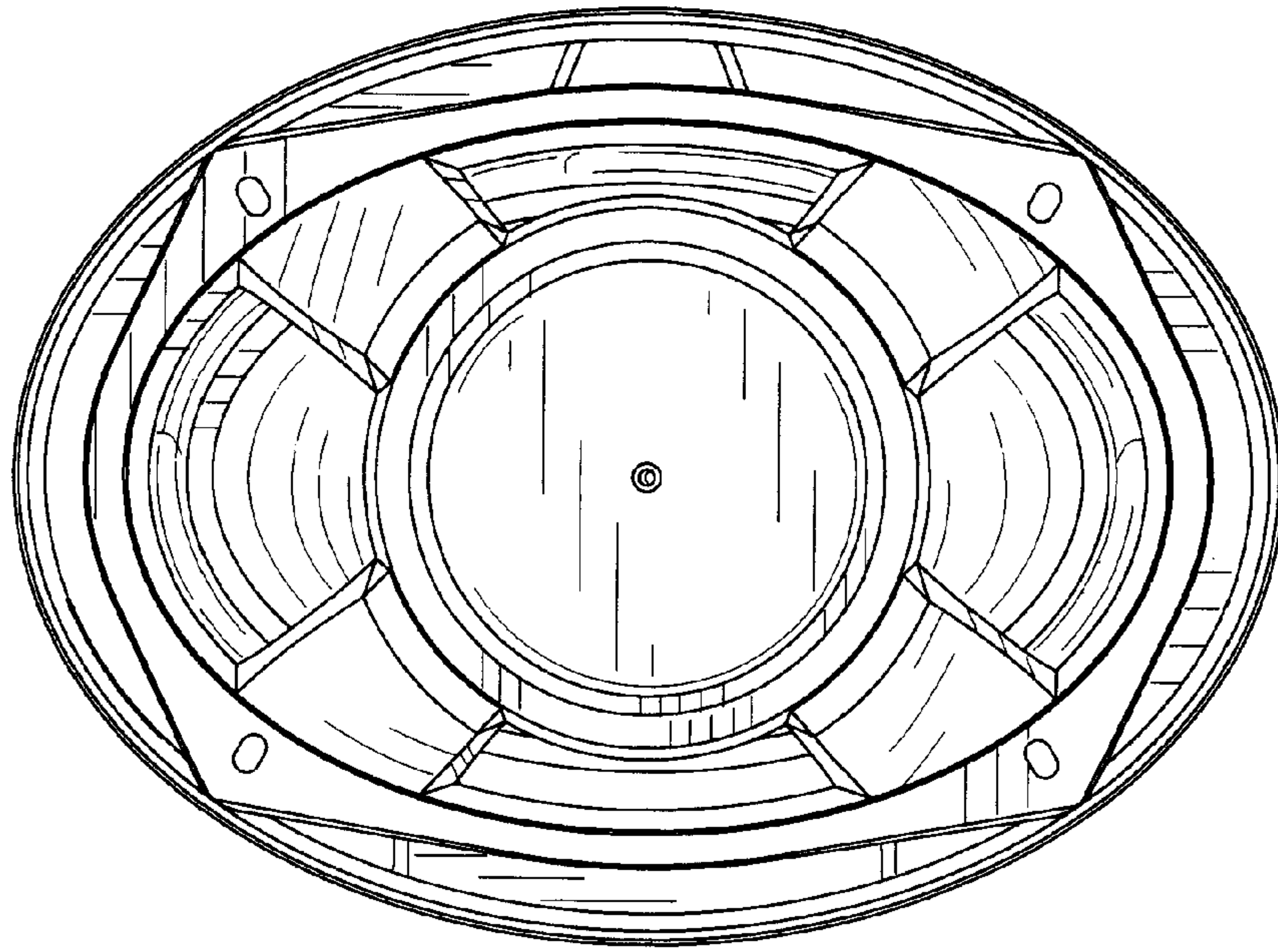


FIG.6

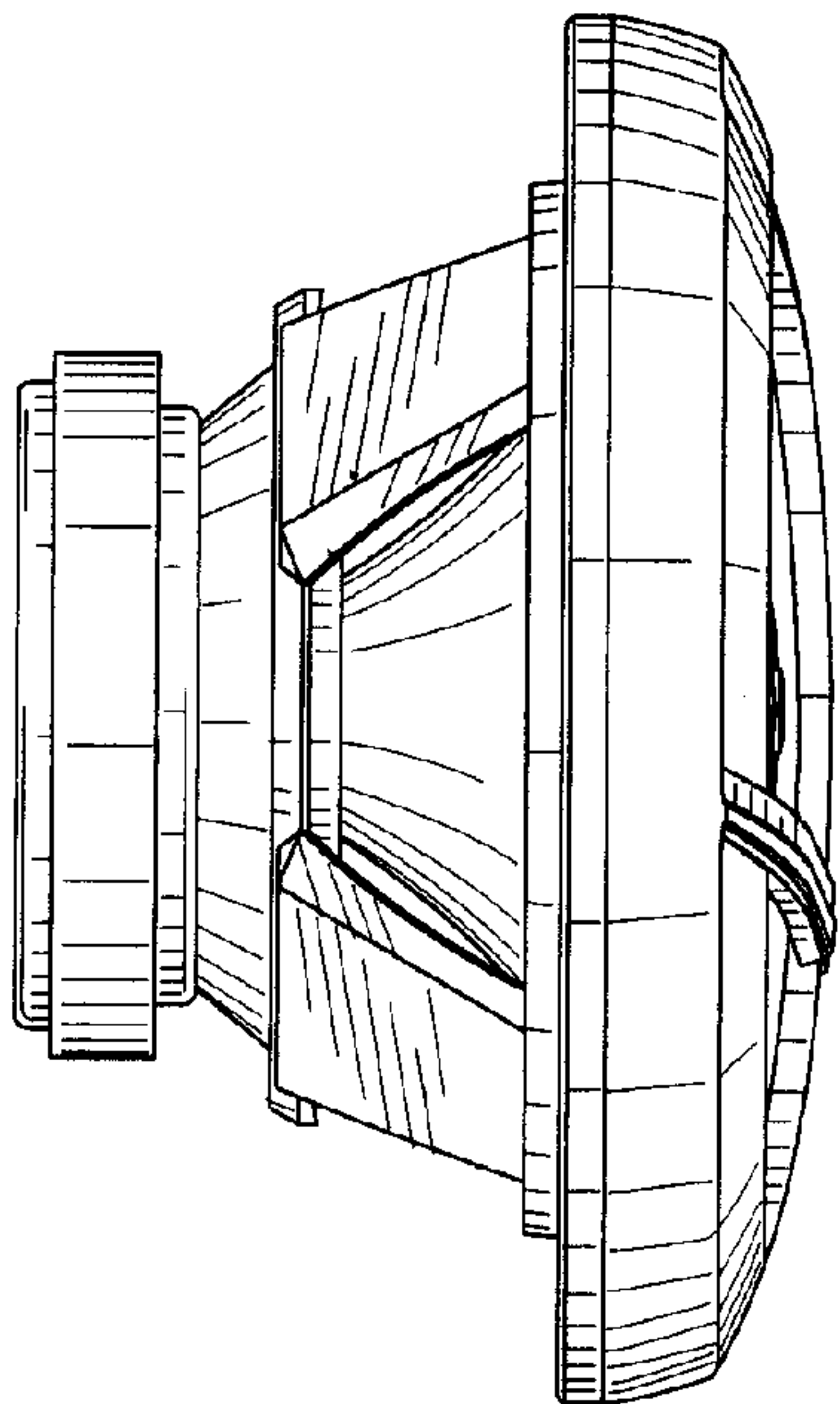


FIG.7

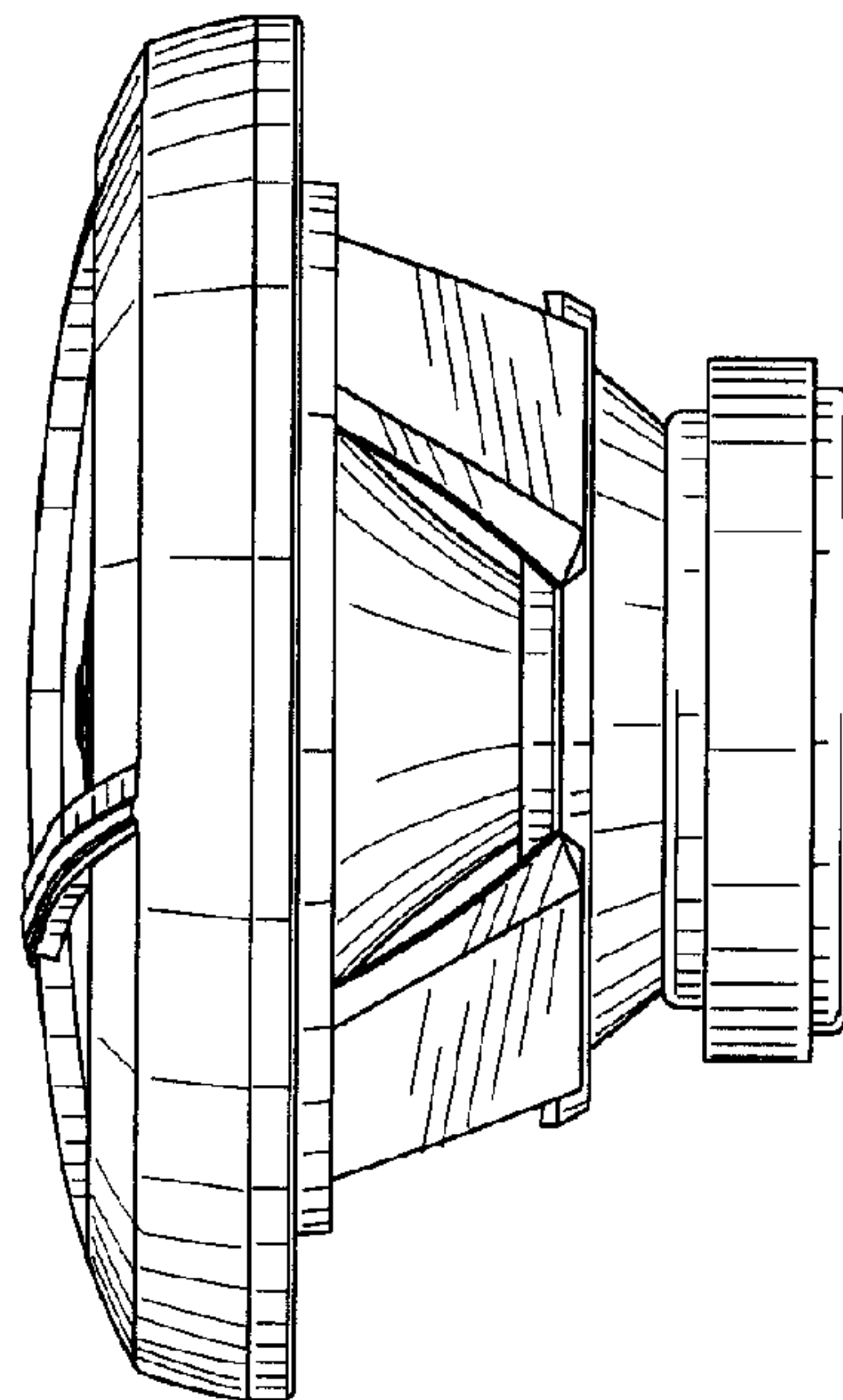


FIG.8

