



US00D642918S

(12) **United States Design Patent**
Taylor

(10) **Patent No.:** **US D642,918 S**

(45) **Date of Patent:** **** Aug. 9, 2011**

(54) **TAMPER EVIDENT POLYMER SCREW CAP WITH REDUCER AND INTEGRAL VENT PROTECTOR RING**

6,874,656	B2	4/2005	Rohr
6,883,675	B2	4/2005	Maenke
7,201,287	B2	4/2007	Maenke
7,690,525	B2	4/2010	Schutz
2006/0096985	A1	5/2006	Stolzman

(76) Inventor: **Dale W. Taylor**, Hamilton, IN (US)

(**) Term: **14 Years**

(21) Appl. No.: **29/372,907**

(22) Filed: **Feb. 3, 2011**

(51) **LOC (9) Cl.** **09-07**

(52) **U.S. Cl.** **D9/453; D9/454**

(58) **Field of Classification Search** D9/656,
D9/635, 565, 454, 452, 451, 447, 446, 441,
D9/440, 439, 435; D7/399, 396, 396.5, 395,
D7/393, 392.1, 387, 321, 300.2; D24/130,
D24/129; D21/713; 222/529, 478, 153.06;
220/825, 276, 254.8, 254.4; 215/364, 356,
215/355, 230

See application file for complete search history.

(56) **References Cited**

U.S. PATENT DOCUMENTS

D195,372	S	*	6/1963	Tupper	D9/439
4,136,293	A		1/1979	Patel		
4,261,478	A	*	4/1981	Summers	220/270
5,882,454	A		3/1999	Baginski		
6,368,741	B1		4/2002	Hackel		
D501,138	S	*	1/2005	Uchiyama	D9/439

OTHER PUBLICATIONS

Rieke Packaging Systems, Pail and Can Catalog, p. 9, 70mm Screw Caps. Online Catalog, www.riekepackaging.com/lib/sitefiles/File/pdfs/rieke_pail.pdf.

* cited by examiner

Primary Examiner — Susan Bennett Hattan

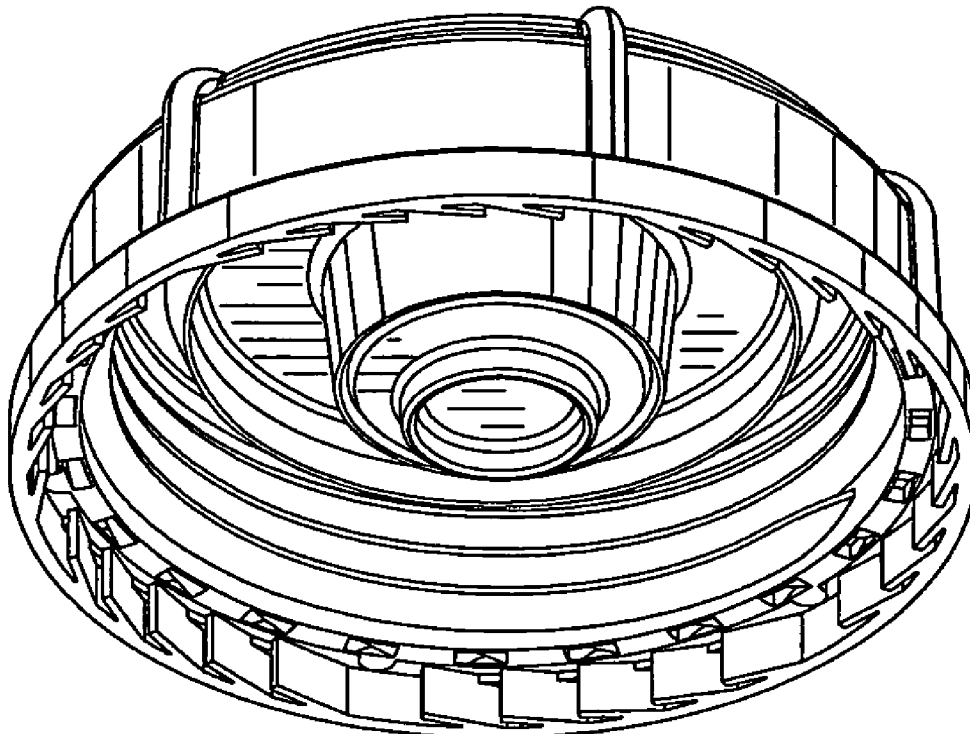
(57) **CLAIM**

The ornamental design for the tamper evident polymer screw cap with reducer and integral vent protector ring, as shown and described.

DESCRIPTION

FIG. 1 is a bottom perspective view of a tamper evident polymer screw cap with reducer and integral vent protector ring in accordance with my design;
FIG. 2 is a top perspective view thereof;
FIG. 3 is a top plan view thereof;
FIG. 4 is a bottom view thereof;
FIG. 5 is a front elevation view thereof; the rear elevation view being the same;
FIG. 6 is a right side view thereof; the left side view being the same; and,
FIG. 7 is a sectional view thereof, taken on line 7-7 of FIG. 3.

1 Claim, 4 Drawing Sheets



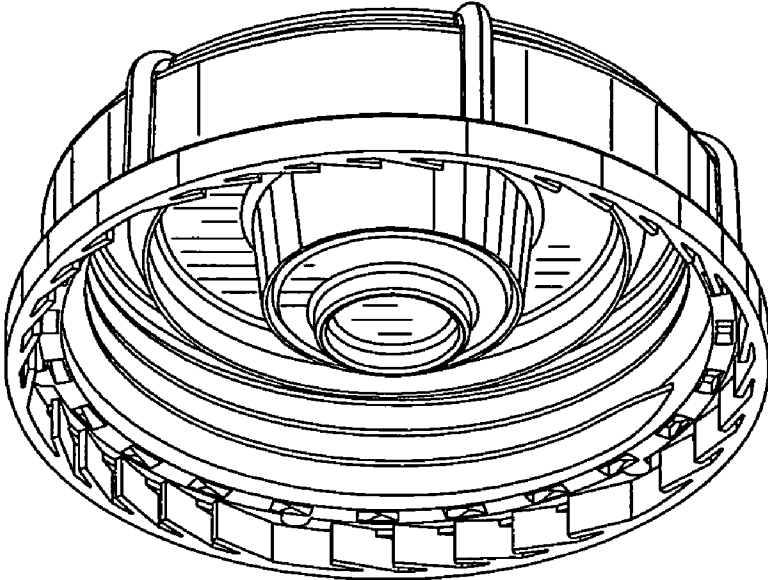


FIG. 1

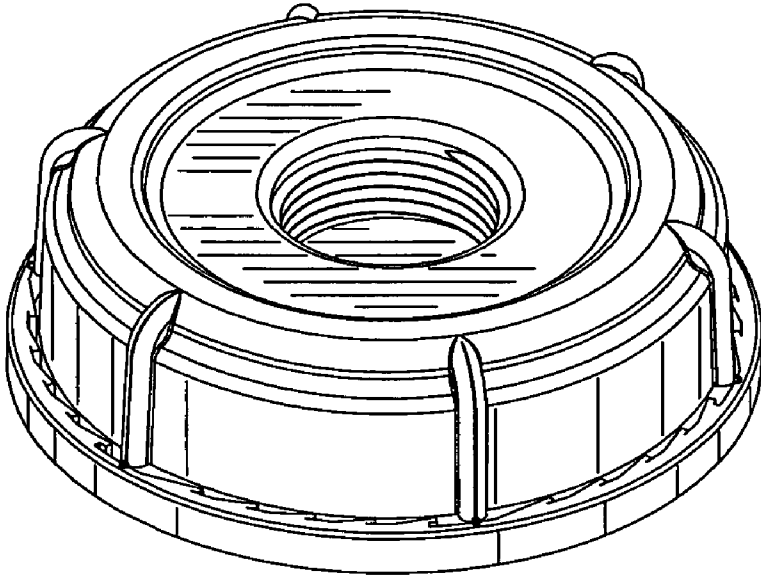


FIG. 2

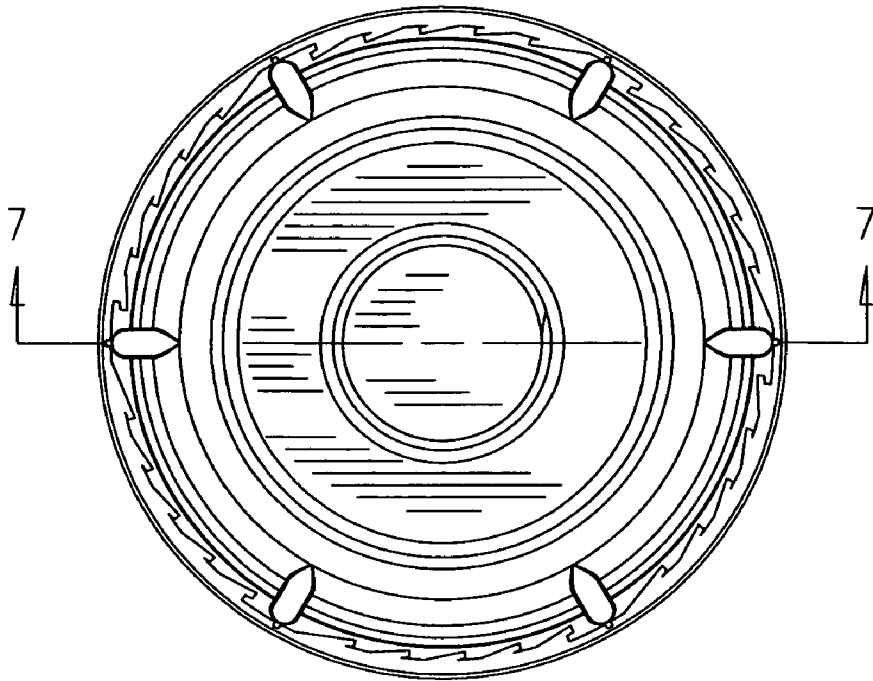


FIG. 3

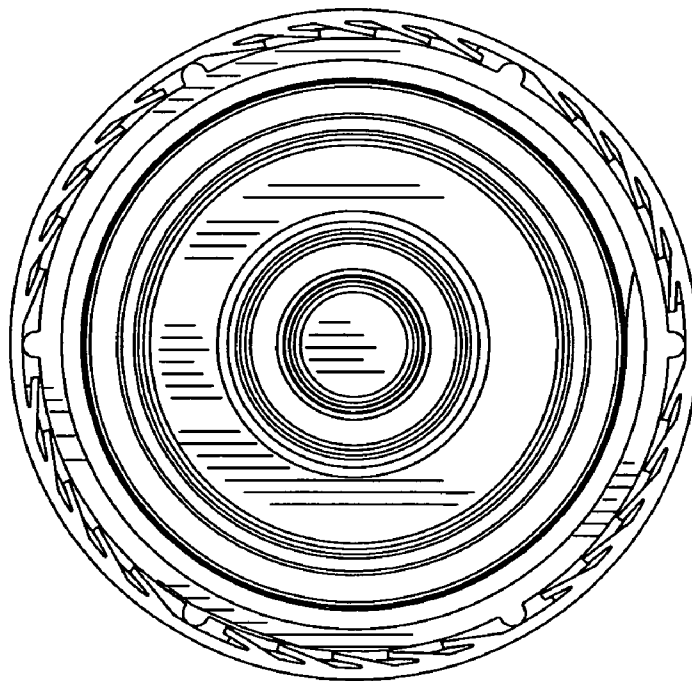


FIG. 4

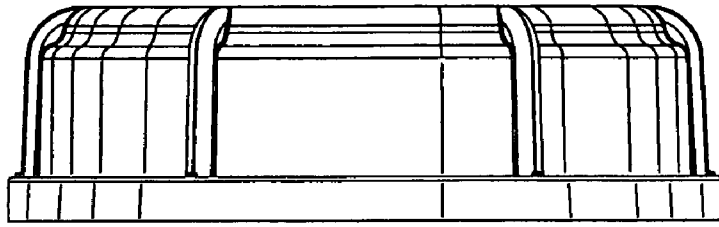


FIG. 5

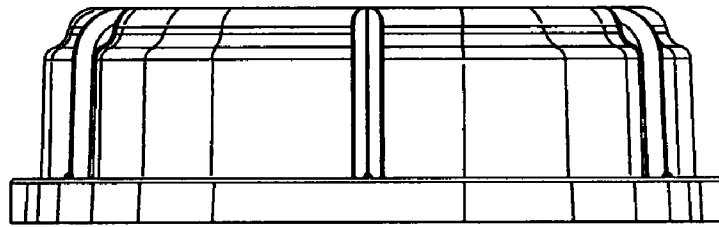


FIG. 6

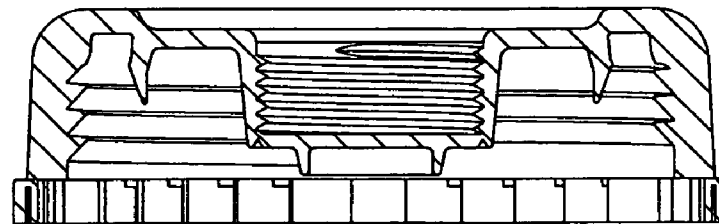


FIG. 7