



US00D926338S

(12) **United States Design Patent**  
**Xu**

(10) **Patent No.:** **US D926,338 S**

(45) **Date of Patent:** **\*\* Jul. 27, 2021**

(54) **MESSAGE GUN**

(71) Applicant: **YONG KANG AIJIU INDUSTRIAL & TRADE CO., LTD**, Yongkang (CN)

(72) Inventor: **Lijun Xu**, Yongkang (CN)

(73) Assignee: **YONG KANG AIJIU INDUSTRIAL & TRADE CO., LTD**, Yongkang (CN)

(\*\*) Term: **15 Years**

(21) Appl. No.: **29/769,740**

(22) Filed: **Feb. 8, 2021**

(51) **LOC (13) Cl.** ..... **28-03**

(52) **U.S. Cl.**  
USPC ..... **D24/215**

(58) **Field of Classification Search**  
USPC ..... D24/200, 211, 212, 213, 214, 215;  
D8/14.1; D28/13  
CPC . A61H 2201/1635; A61H 23/006; A61H 1/00  
See application file for complete search history.

(56) **References Cited**

**U.S. PATENT DOCUMENTS**

D616,558	S	*	5/2010	Tsai	.....	D24/200
D847,364	S	*	4/2019	Lee	.....	D24/215
10,314,762	B1	*	6/2019	Marton	.....	A61H 23/006
D855,822	S	*	8/2019	Marton	.....	D24/215
D863,571	S	*	10/2019	Yang	.....	D24/200
D866,790	S	*	11/2019	Lee	.....	D24/215
D873,432	S	*	1/2020	Duan	.....	D24/214
D874,015	S	*	1/2020	Marton	.....	D24/215
D884,205	S	*	5/2020	Zhuang	.....	D24/215
D884,207	S	*	5/2020	Ma	.....	D24/215
D886,317	S	*	6/2020	Marton	.....	D24/215
D893,738	S		8/2020	Zhuang		
D895,132	S	*	9/2020	Hu	.....	D24/215
D895,133	S	*	9/2020	Xu	.....	D24/215
D895,135	S	*	9/2020	Xu	.....	D24/215

D895,829	S	*	9/2020	Hu	.....	D24/215
D895,831	S	*	9/2020	Chen	.....	D24/215
D898,209	S	*	10/2020	Xu	.....	D24/214
D899,620	S	*	10/2020	Huang	.....	D24/215
D905,863	S	*	12/2020	Lin	.....	D24/215
D906,533	S	*	12/2020	Xu	.....	D24/215
D907,229	S	*	1/2021	Zhang	.....	D24/215
D907,230	S	*	1/2021	Zhang	.....	D24/215
D908,908	S	*	1/2021	Xu	.....	D24/215
D910,194	S	*	2/2021	Radtke	.....	D24/215
D911,535	S	*	2/2021	Yu	.....	D24/200
D912,267	S	*	3/2021	Tang	.....	D24/215
D913,516	S	*	3/2021	Zhang	.....	D24/215
D913,517	S	*	3/2021	Yu	.....	D24/215
D916,307	S	*	4/2021	Xiong	.....	D24/215
D917,060	S	*	4/2021	Hu	.....	D24/215
2016/0338899	A1	*	11/2016	Howson	.....	A61H 7/001

(Continued)

*Primary Examiner* — Cynthia Ramirez

*Assistant Examiner* — Michael A Maharajh

(57) **CLAIM**

The ornamental design for a massage gun, as shown and described.

**DESCRIPTION**

FIG. 1 is a perspective view of a massage gun showing my new design;

FIG. 2 is another perspective view thereof;

FIG. 3 is a front elevational view thereof;

FIG. 4 is a rear elevational view thereof;

FIG. 5 is a left side elevational view thereof;

FIG. 6 is a right side elevational view thereof;

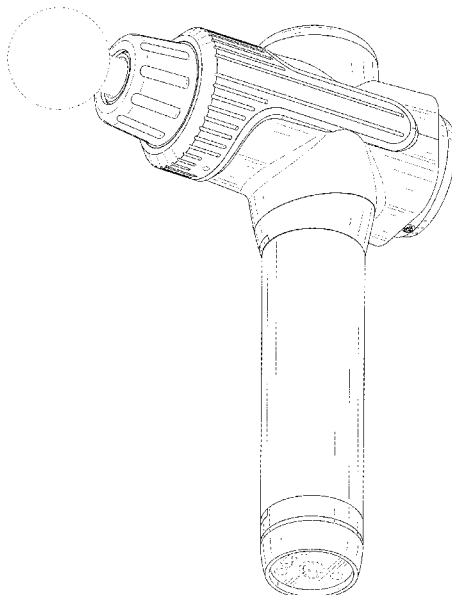
FIG. 7 is a top plan view thereof;

FIG. 8 is a bottom plan view thereof; and,

FIG. 9 is a perspective view of the massage gun where the massage gun is in a configuration of use.

The broken lines in the drawings depict portions of the massage gun that form no part of the claimed design.

**1 Claim, 9 Drawing Sheets**



(56)

**References Cited**

U.S. PATENT DOCUMENTS

2019/0254921	A1*	8/2019	Marton .....	A61H 23/006
2020/0085675	A1*	3/2020	Lee .....	A61H 1/00
2020/0390644	A1*	12/2020	Yang .....	G16H 20/30
2021/0113427	A1*	4/2021	Liu .....	A61H 23/0254

\* cited by examiner

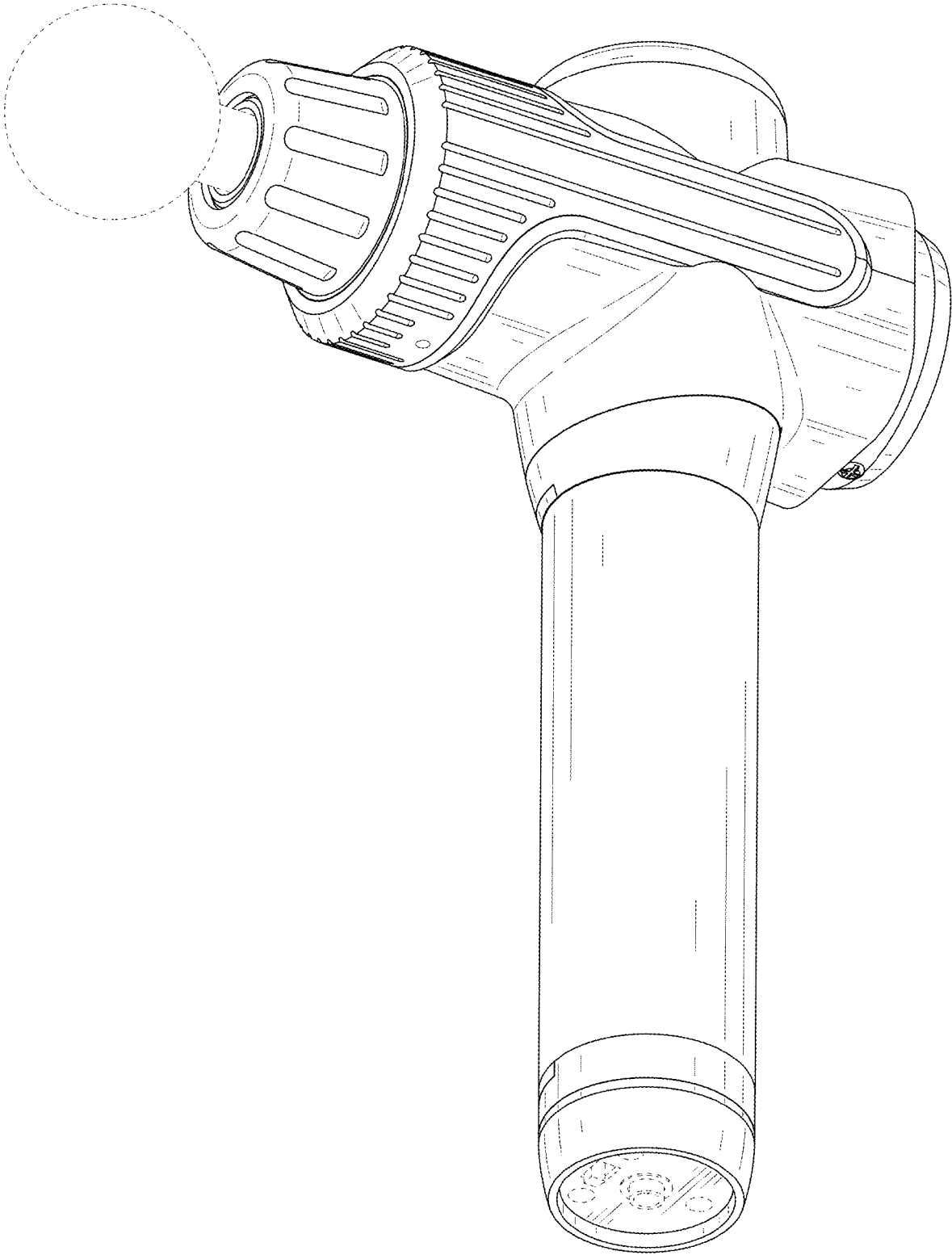


FIG. 1

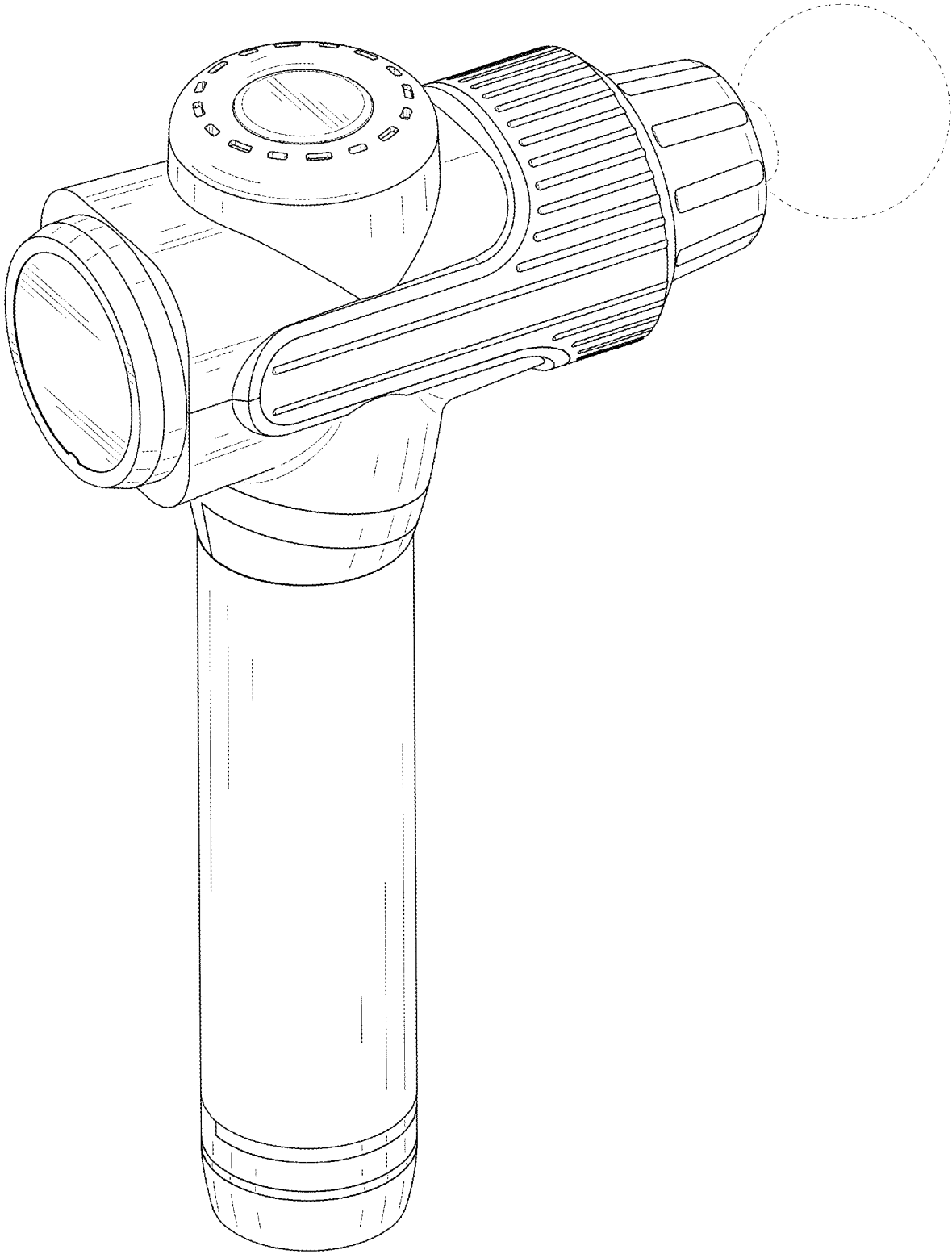


FIG. 2

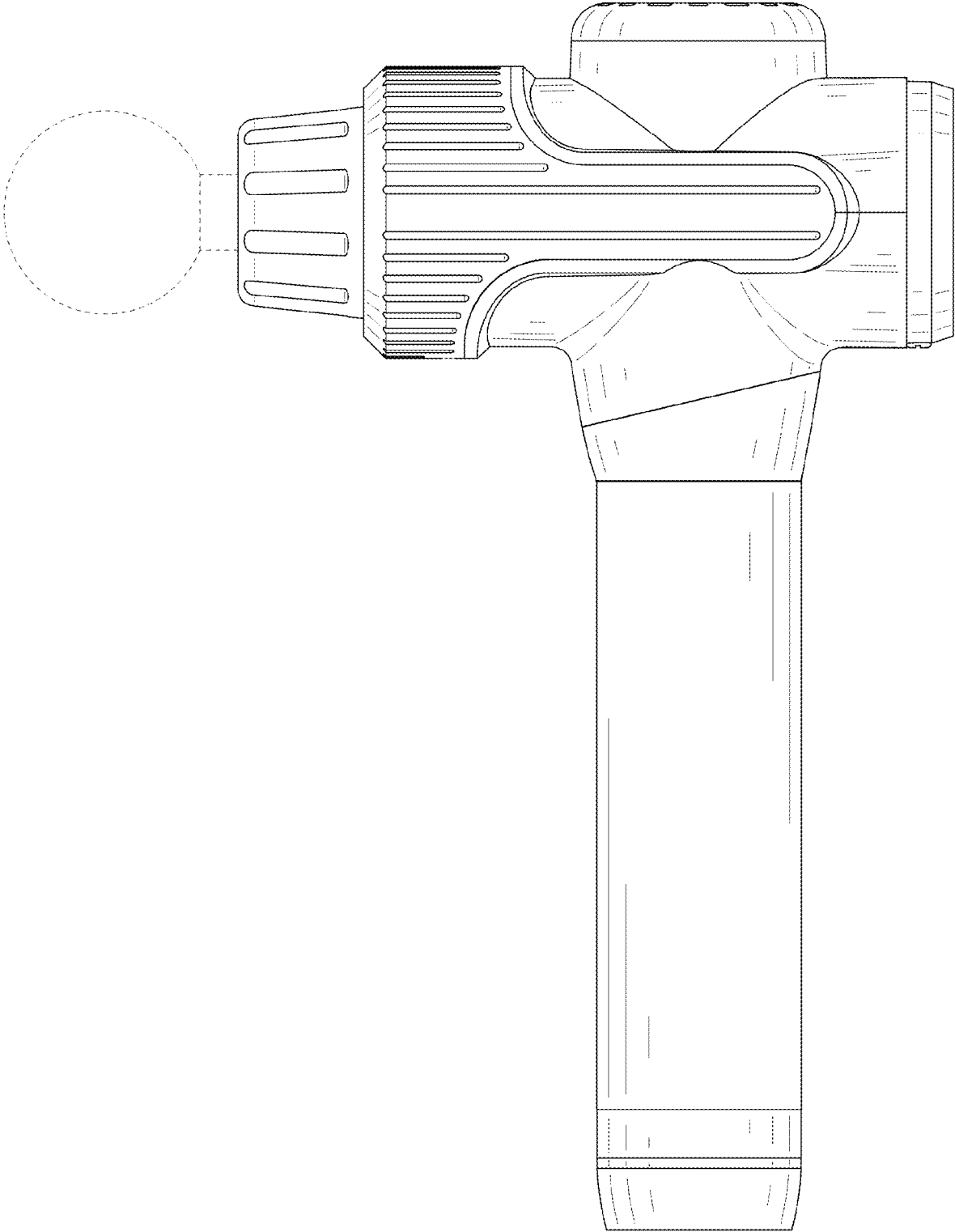


FIG. 3

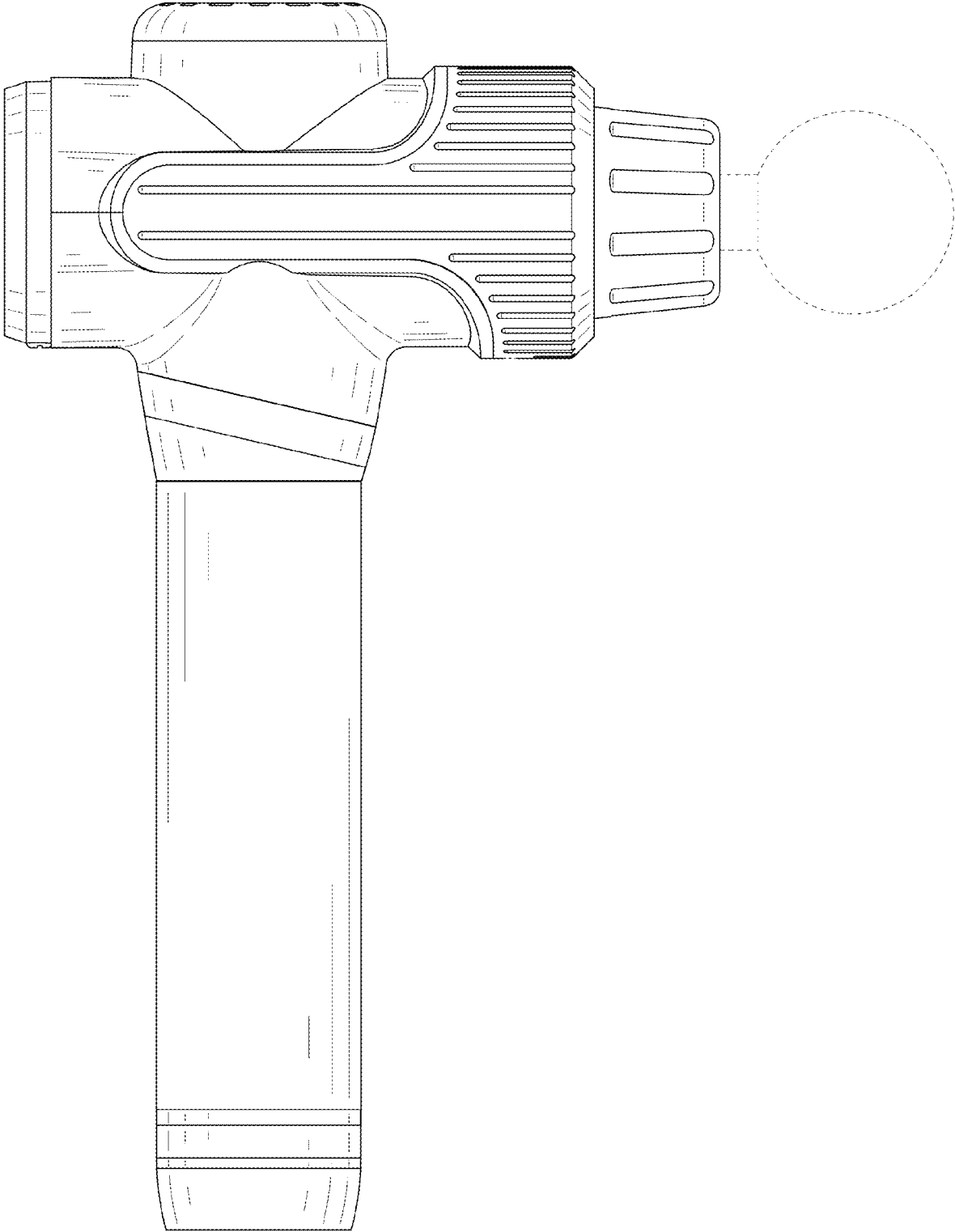


FIG. 4

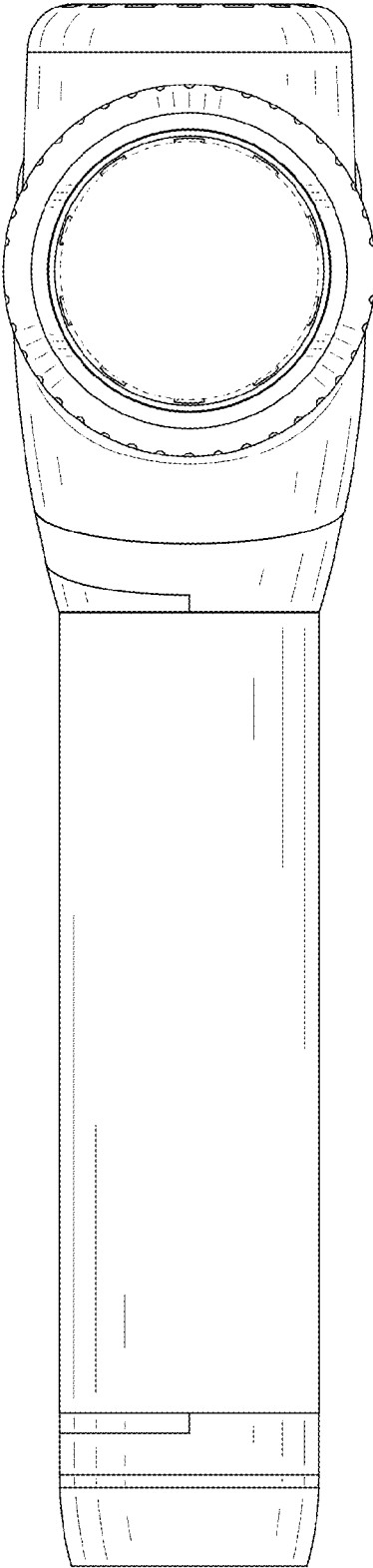


FIG. 5

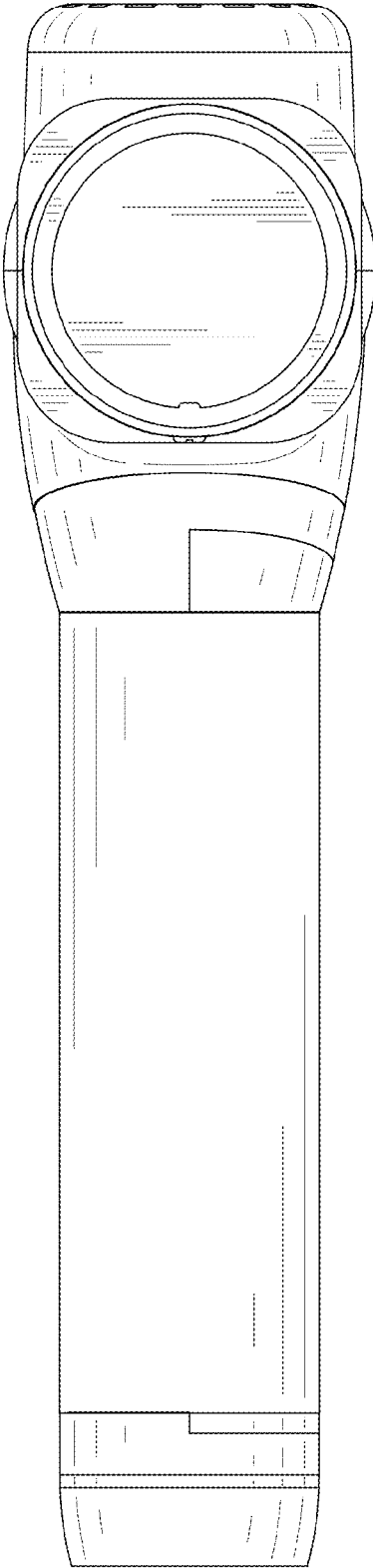


FIG. 6



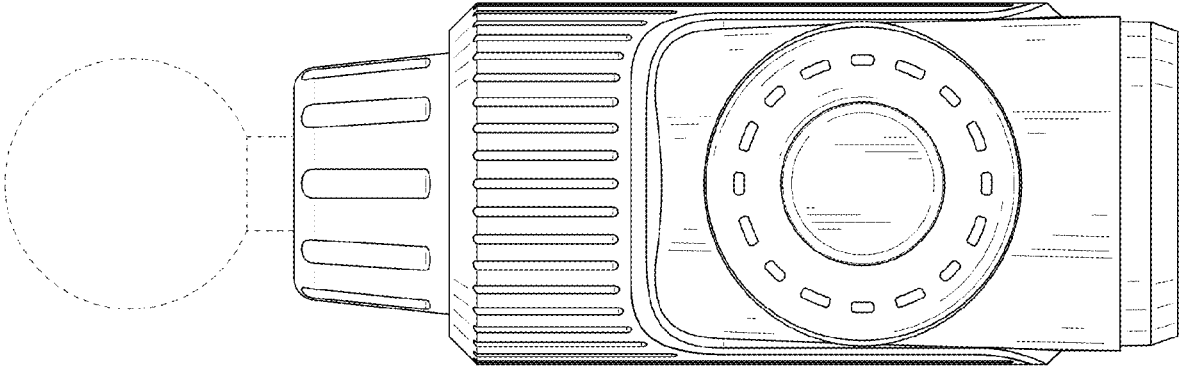


FIG. 7

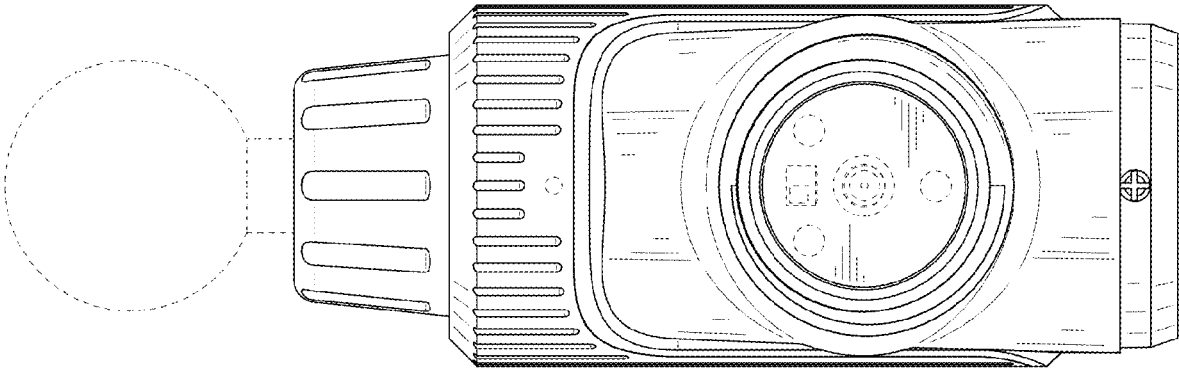


FIG. 8

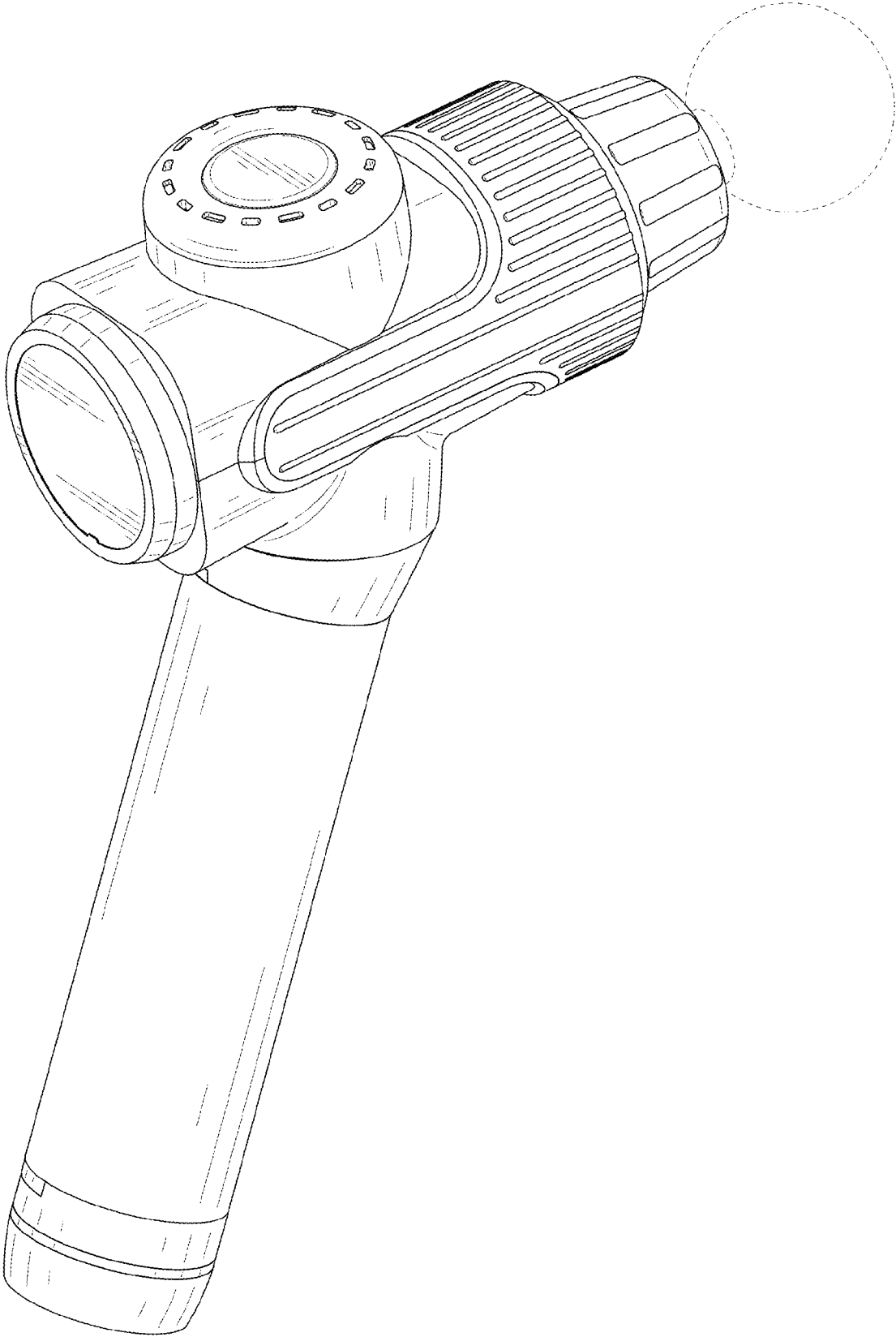


FIG. 9