



(12) **United States Design Patent**
Yan

(10) **Patent No.:** **US D882,592 S**
(45) **Date of Patent:** **** Apr. 28, 2020**

(54) **DISPLAY SCREEN OR PORTION THEREOF WITH AN ANIMATED GRAPHICAL USER INTERFACE**

FOREIGN PATENT DOCUMENTS

CN 303190432 S 4/2015
CN 303319701 S 8/2015

(Continued)

(71) Applicant: **BEIJING KUAIMAJIABIAN TECHNOLOGY CO., LTD.**, Beijing (CN)

OTHER PUBLICATIONS

“CircularProgressDrawable” Apr. 27, 2015, posted at android-arsenal.com, [site visited Dec. 17, 2019]. <https://android-arsenal.com/details/1/1071> (Year: 2015).*

(Continued)

(72) Inventor: **Jun Yan**, Beijing (CN)

(73) Assignee: **Beijing Kuaimajiabian Technology Co., Ltd.**, Beijing (CN)

(**) Term: **15 Years**

Primary Examiner — Jack Reickel

Assistant Examiner — John M Otte

(21) Appl. No.: **29/663,827**

(74) *Attorney, Agent, or Firm* — BakerHostetler

(22) Filed: **Sep. 19, 2018**

(57) **CLAIM**

(30) **Foreign Application Priority Data**

Mar. 21, 2018 (CN) 2018 3 0105201

I claim the ornamental design for a display screen or portion thereof with an animated graphical user interface, as shown and described.

(51) **LOC (12) Cl.** **14-04**

DESCRIPTION

(52) **U.S. Cl.**
USPC **D14/485**; D14/488

(58) **Field of Classification Search**
USPC D14/485–495; D20/11; D21/324, 325
CPC G06F 3/048; G06F 3/0481; G06F 3/04817; G06F 3/0482; G06F 3/0483; G06F 3/04842; G06F 3/0485; G06F 3/04855; G06F 3/0486; G06F 3/0488; G06F 3/04886; G06F 9/4443; G06F 17/211; G06F 17/212; G09B 5/00; H04L 12/2807
See application file for complete search history.

FIG. 1 is a front view of a first image in a sequence for a display screen or portion thereof with an animated graphical user interface showing our new design; FIG. 2 is a front view of a second image thereof; FIG. 3 is a front view of a third image thereof; FIG. 4 is a front view of a fourth image thereof; FIG. 5 is a front view of a fifth image thereof; FIG. 6 is a front view of sixth image thereof; and, FIG. 7 is a front view of seventh image thereof.

The broken lines shown in the figures represent portions of the display screen or portion thereof with an animated graphical user interface that form no part of the claimed design.

The appearance of the transitional image sequentially transitions between the images shown in FIGS. 1-7. The process or period in which one image transitions to another forms no part of the claimed design.

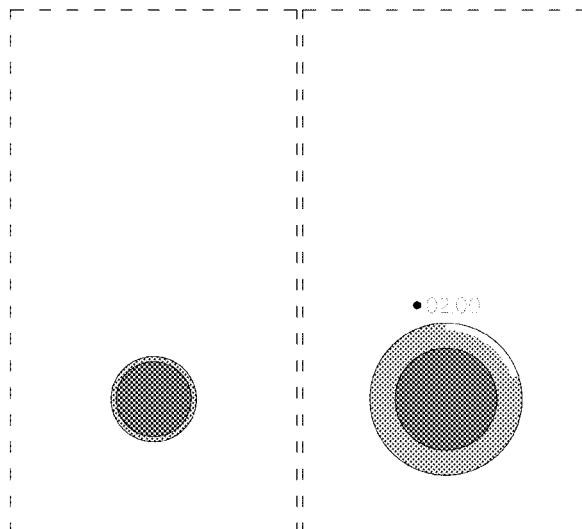
(56) **References Cited**

U.S. PATENT DOCUMENTS

5,392,388 A * 2/1995 Gibson G06F 3/04845
345/684
D669,499 S * 10/2012 Gardner D14/495

(Continued)

1 Claim, 4 Drawing Sheets



(56)

References Cited

U.S. PATENT DOCUMENTS

D728,616	S	*	5/2015	Gomez	D14/491
D754,682	S	*	4/2016	Lee	D14/485
D761,277	S	*	7/2016	Harvell	D14/485
D763,269	S	*	8/2016	Lee	D14/485
D763,868	S	*	8/2016	Lee	D14/485
D763,910	S	*	8/2016	Drozd	D14/485
D781,299	S	*	3/2017	Yun	D14/485
D785,658	S	*	5/2017	Moroney	D14/486
D791,806	S	*	7/2017	Brewington	D14/486
D853,441	S	*	7/2019	Khandelwal	D14/491
2015/0205511	A1	*	7/2015	Vinna	G06F 3/0481 715/716

FOREIGN PATENT DOCUMENTS

CN	303591134	S	2/2016
CN	303655255	S	4/2016
CN	303683996	S	5/2016
CN	303755627	S	7/2016
CN	303774462	S	8/2016
CN	303969414	S	12/2016
CN	304194757	S	7/2017
JP	D1505455		8/2014

OTHER PUBLICATIONS

Coyier, Chris, "CSS3 Loading Spinner" Feb. 10, 2011, posted at css-tricks.com, [site visited Dec. 17, 2019]. <https://css-tricks.com/css3-loading-spinner> (Year: 2011).*

"Play or pause button" Nov. 1, 2016, posted at gfycat.com, [site visited Dec. 17, 2019]. <https://gfycat.com/infatuatedassuredalbatross-button> (Year: 2016).*

* cited by examiner

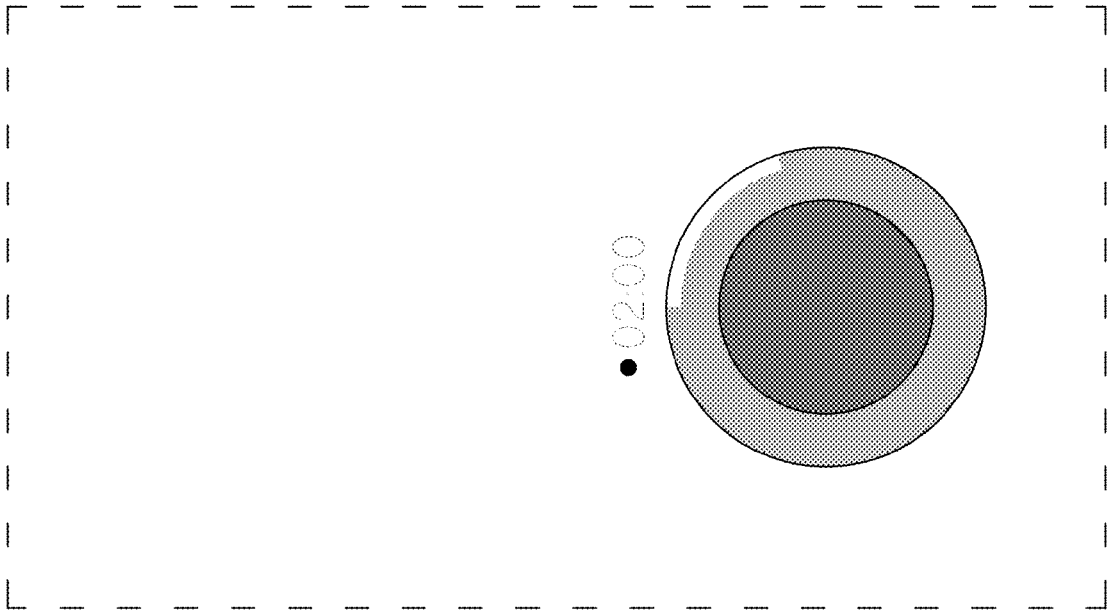


FIG. 1

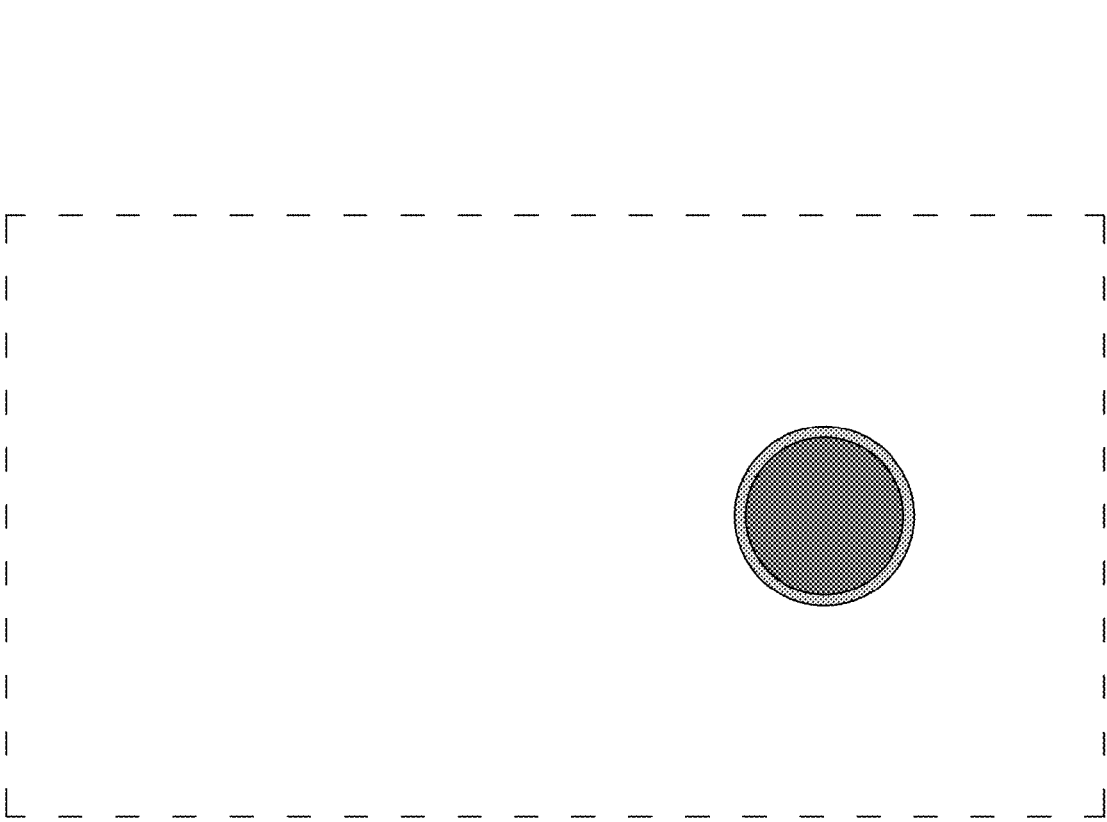


FIG. 2

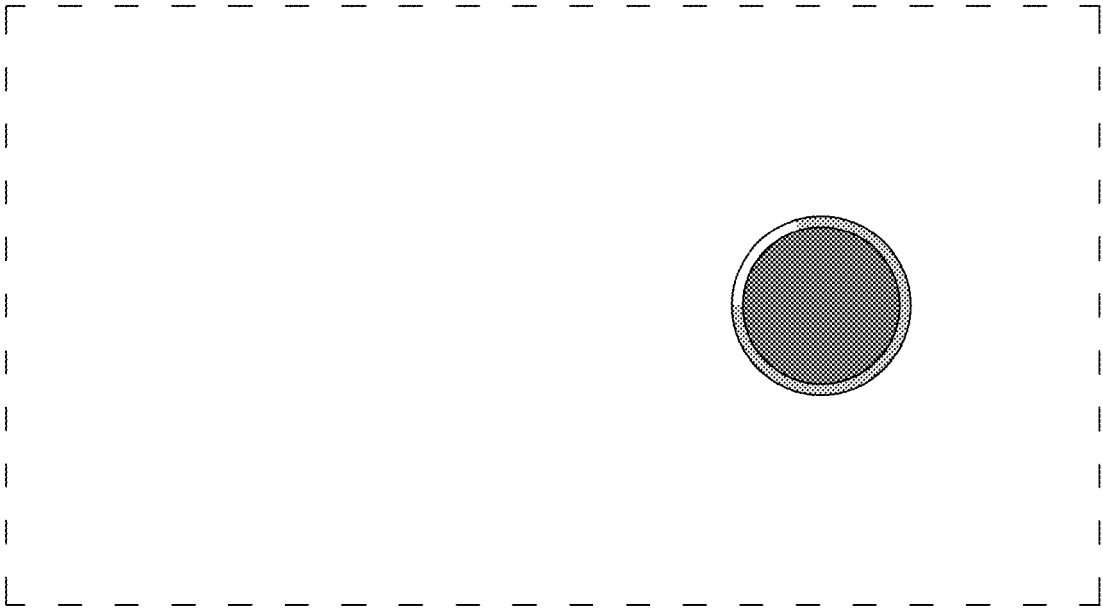


FIG. 4

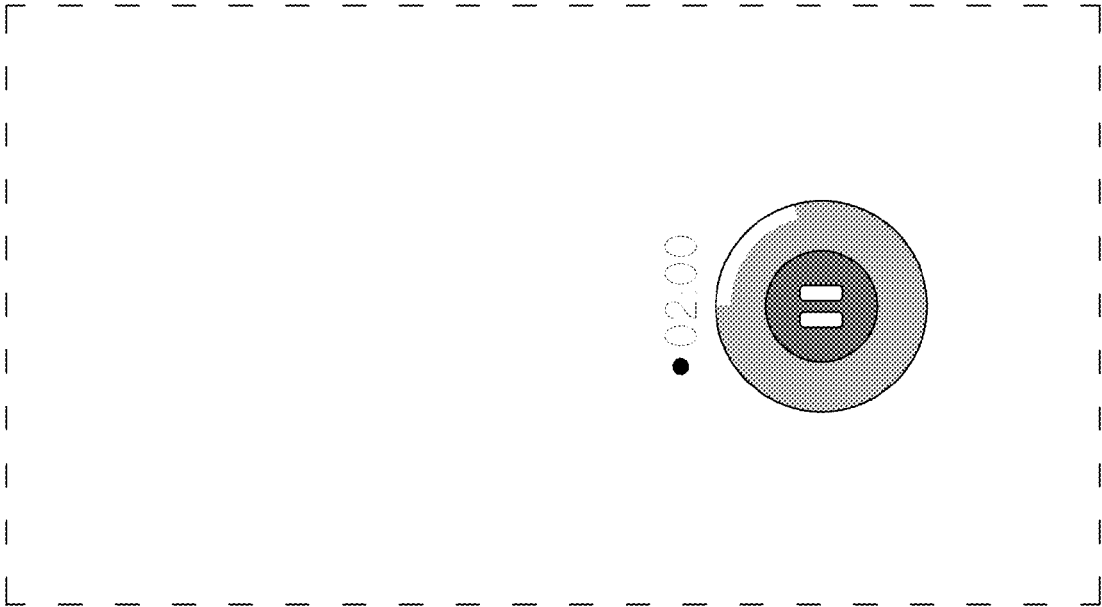


FIG. 3

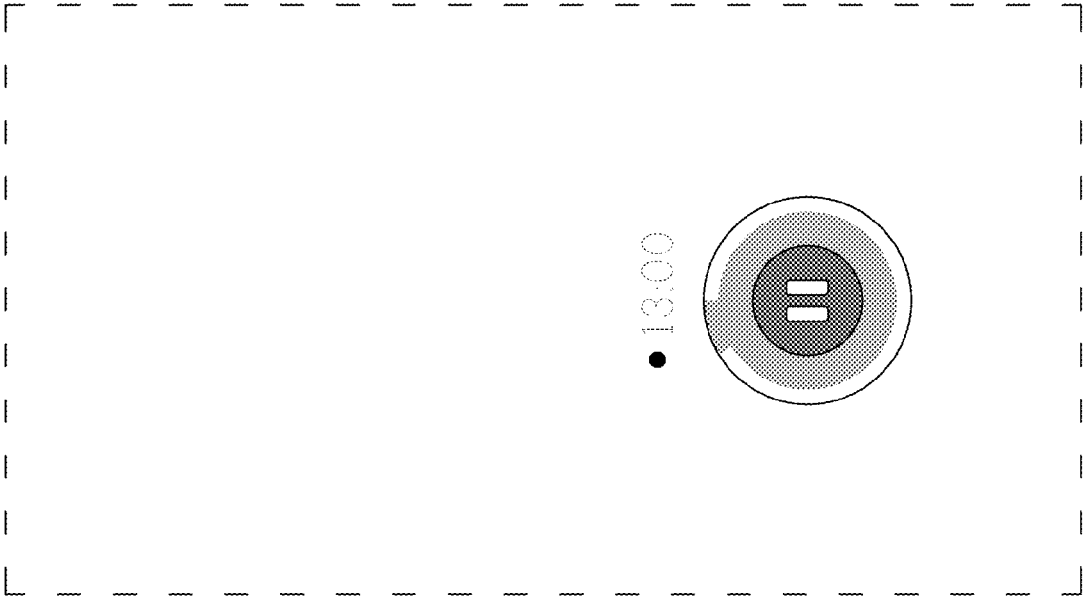


FIG. 5

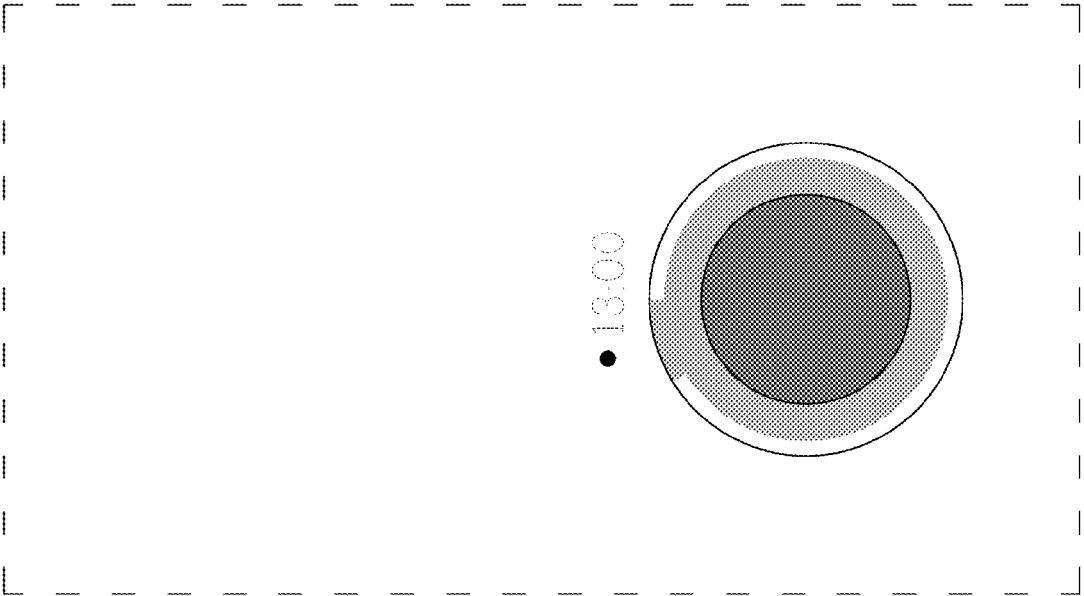


FIG. 6

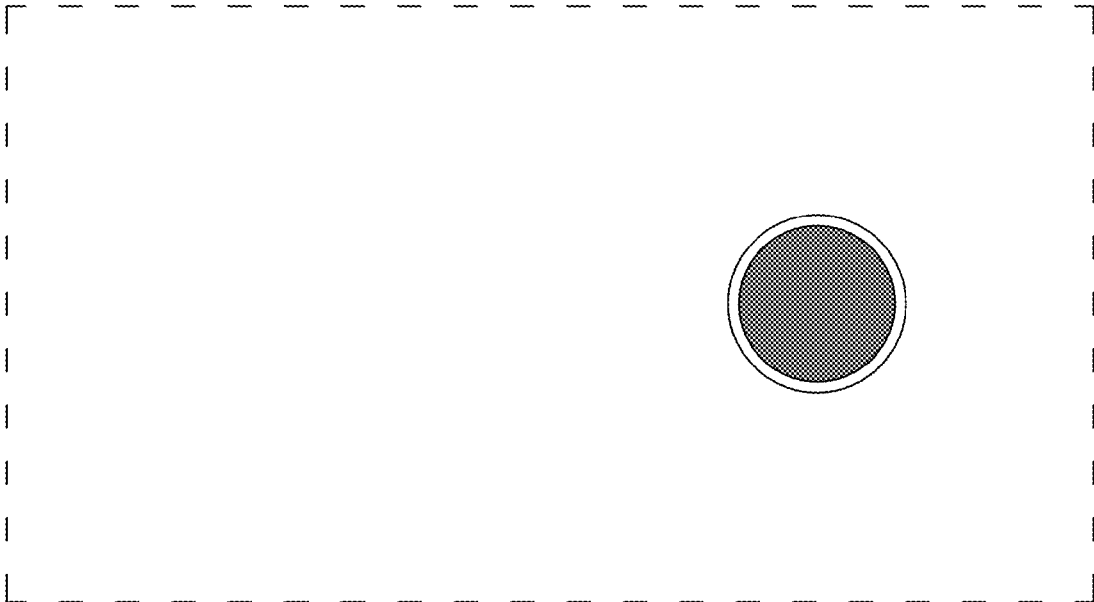


FIG. 7