



(12) **United States Design Patent**
Kukino et al.

(10) **Patent No.:** **US D1,001,168 S**
(45) **Date of Patent:** **** Oct. 10, 2023**

(54) **CUTTING TOOL**

(71) Applicant: **SUMITOMO ELECTRIC**
HARDMETAL CORP., Itami (JP)

(72) Inventors: **Satoru Kukino**, Itami (JP); **Gaku Harada**, Itami (JP); **Takashi Harada**, Itami (JP); **Naoki Watanobe**, Itami (JP); **Soichiro Kakinoki**, Itami (JP); **Keita Miyamoto**, Itami (JP); **Hironari Moroguchi**, Itami (JP)

(73) Assignee: **SUMITOMO ELECTRIC**
HARDMETAL CORP., Itami (JP)

(**) Term: **15 Years**

(21) Appl. No.: **29/845,397**

(22) Filed: **Jul. 7, 2022**

Related U.S. Application Data

(62) Division of application No. 29/716,419, filed on Dec. 10, 2019, now Pat. No. Des. 960,214.

(30) **Foreign Application Priority Data**

Jun. 12, 2019	(JP)	2019-012939
Jun. 12, 2019	(JP)	2019-012940
Jun. 12, 2019	(JP)	2019-012941
Jun. 12, 2019	(JP)	2019-012942
Jun. 12, 2019	(JP)	2019-012943
Jun. 12, 2019	(JP)	2019-012944
Jun. 12, 2019	(JP)	2019-012945
Jun. 12, 2019	(JP)	2019-012946

(51) **LOC (14) Cl.** **15-09**

(52) **U.S. Cl.**
USPC **D15/139**

(58) **Field of Classification Search**

USPC D8/20, 70; D15/126, 131, 138, 139, 140
(Continued)

(56) **References Cited**

U.S. PATENT DOCUMENTS

D774,573 S 12/2016 Sharivker et al.
D792,489 S 7/2017 Sharivker et al.
(Continued)

OTHER PUBLICATIONS

Office Action dated Mar. 16, 2023 that issued in U.S. Appl. No. 29/845,328.

(Continued)

Primary Examiner — Patricia A Palasik

(74) *Attorney, Agent, or Firm* — Faegre Drinker Biddle & Reath LLP

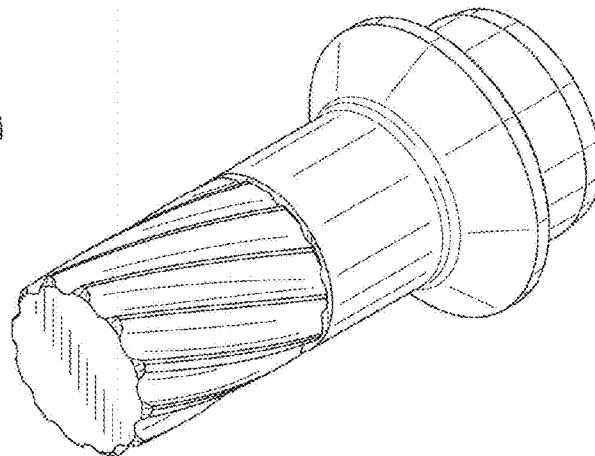
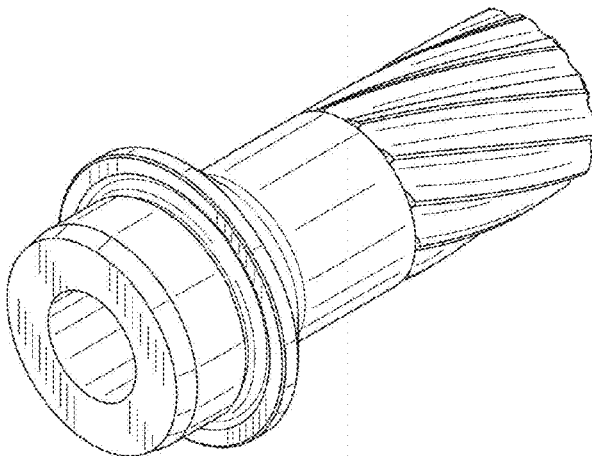
(57) **CLAIM**

The ornamental design for a cutting tool, as shown and described.

DESCRIPTION

FIG. 1 is a front view of a cutting tool in accordance with an embodiment of the present design;
FIG. 2 is a rear view thereof;
FIG. 3 is a right side view thereof;
FIG. 4 is a left side view thereof;
FIG. 5 is a top view thereof;
FIG. 6 is a bottom view thereof;
FIG. 7 is a first perspective view thereof;
FIG. 8 is a second perspective view thereof;
FIG. 9 is a cross sectional view taken along line 9-9 of FIG. 1; and,
FIG. 10 is a referential view showing the state in use thereof. The broken lines in the drawings depict portions of the cutting tool and environmental subject matter which form no part of the claimed design.

1 Claim, 5 Drawing Sheets



(58) **Field of Classification Search**

CPC B23B 27/145; B23B 27/1622; B23B
2200/048; B23B 2200/204; B23B
2200/085; B23B 2200/0416; B23B
2200/0423; B23B 2200/0477; B23B
2200/0494; B23C 5/205; B23C 5/207

See application file for complete search history.

(56) **References Cited**

U.S. PATENT DOCUMENTS

D793,460	S	8/2017	Sharivker et al.	
D796,563	S	9/2017	Sharivker et al.	
D797,170	S	9/2017	Sharivker et al.	
9,878,379	B2	1/2018	Davis	
D819,098	S	5/2018	Buhr et al.	
D823,089	S	7/2018	Shikama	
D844,684	S	4/2019	Ojanen	
D877,218	S	3/2020	Wu	
D878,437	S	3/2020	Bono et al.	
D878,438	S	3/2020	Bono et al.	
10,682,712	B2	6/2020	Sharivker et al.	
D900,893	S	11/2020	English	
D960,214	S *	8/2022	Kukino	D15/139
2010/0215447	A1	8/2010	Davis	

OTHER PUBLICATIONS

Office Action dated Mar. 27, 2023 that issued in U.S. Appl. No. 29/845,422.

* cited by examiner

FIG.1

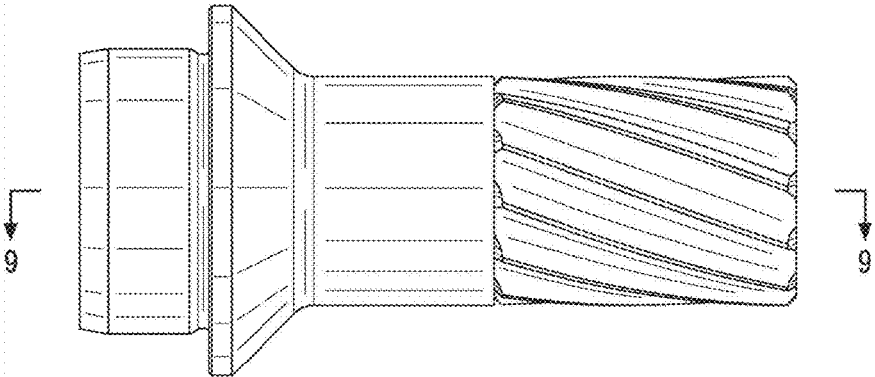


FIG.2

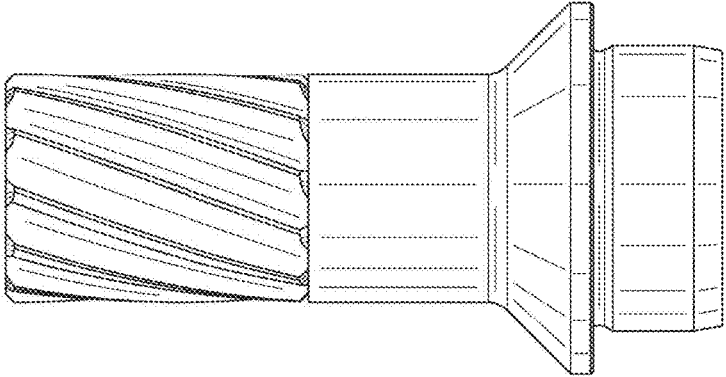


FIG. 3

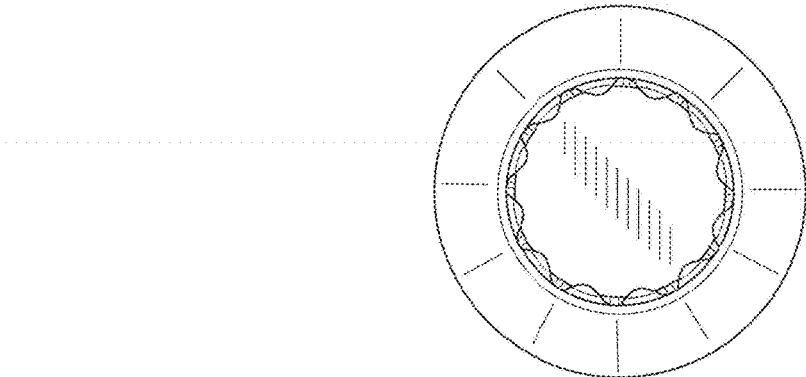


FIG. 4

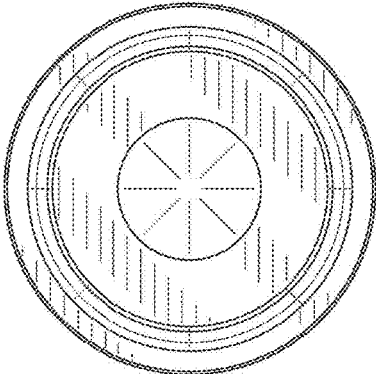


FIG.5

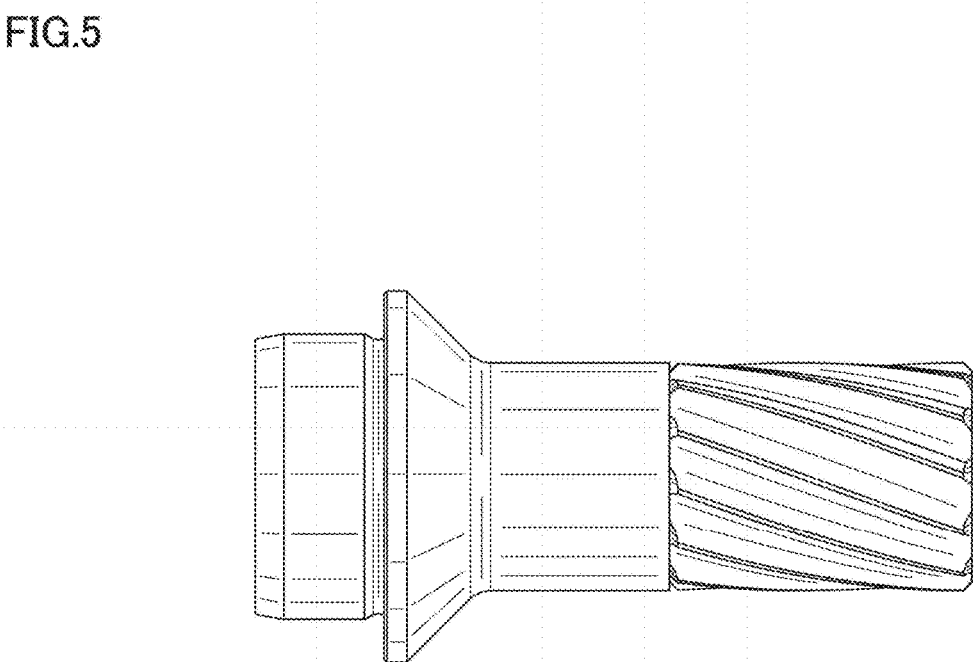


FIG.6

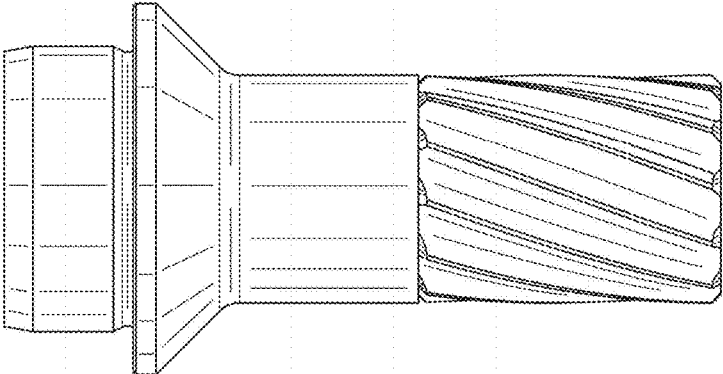


FIG.7

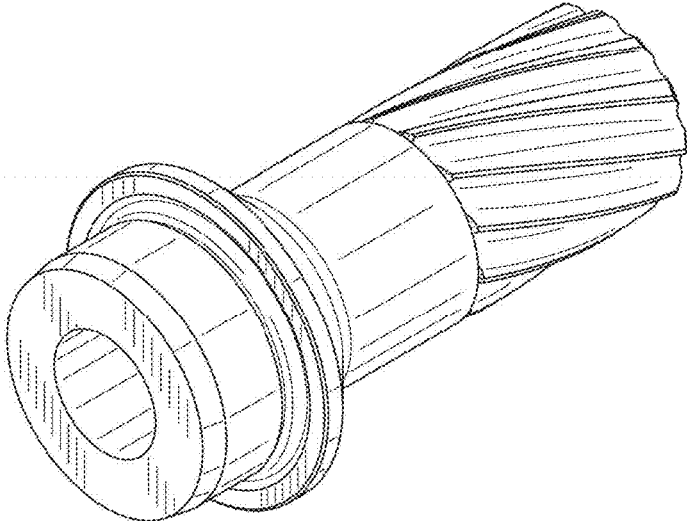


FIG.8

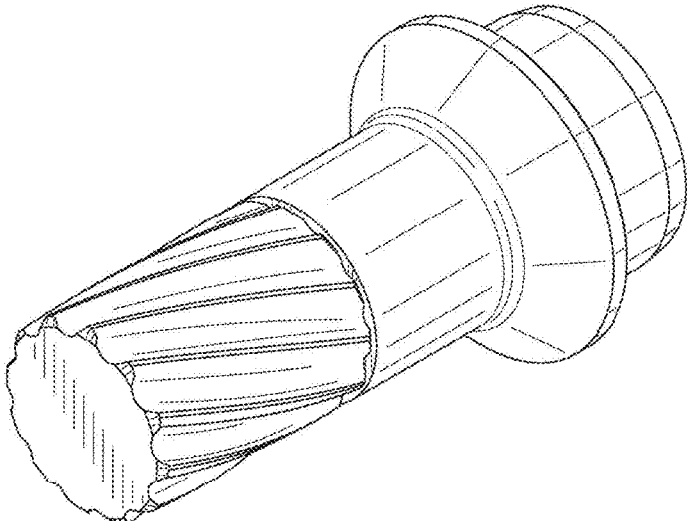


FIG. 9

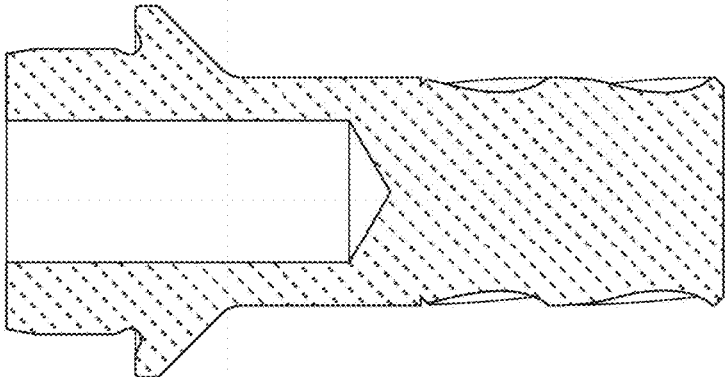


FIG. 10

