

(21) Application No: 1413420.9

(22) Date of Filing: 18.04.2012

Date Lodged: 29.07.2014

(86) International Application Data:
PCT/US2012/034131 En 18.04.2012

(87) International Publication Data:
WO2013/158095 En 24.10.2013

(51) INT CL:
A61B 5/103 (2006.01) A61B 5/11 (2006.01)

(56) Documents Cited:
US06160478
WO2011/004322
US2008/0178674
US2006/0214806

(58) Field of Search:
INT CL A61B, G01P, G08B
Other: eKOMPASS(KIPO internal), Korean/Japanese utility models/applications for utility models

(71) Applicant(s):
Hewlett Packard Development Company, L.P.
(Incorporated in USA - Texas)
11445 Compaq Center Dr. West, Houston, TX 77070,
United States of America

(72) Inventor(s):
Matthew Alun Hopcroft
Jerome Rolia
Sharad Singhal
Charles Edgar Bess
Henri J Suermondt

(74) Agent and/or Address for Service:
WP Thompson
55 Drury Lane, London, WC2B 5SQ, United Kingdom

(54) Title of the Invention: **Assessing Physical Stability Of A Patient Using An Accelerometer**
Abstract Title: **Assessing Physical Stability Of A Patient Using An Accelerometer**

(57) A system includes an accelerometer worn by a patient to capture physiological data of the patient and transmit the physiological data and a processing system to receive the physiological data and assess a physical stability of the patient using the physiological data.

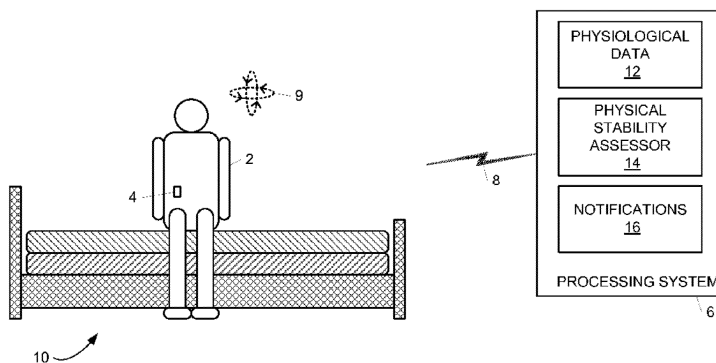


Fig. 1A