



(12) **United States Design Patent**  
**Ely et al.**

(10) **Patent No.:** **US D787,083 S**  
(45) **Date of Patent:** **\*\* May 16, 2017**

- (54) **LIGHT-BASED DERMATOLOGIC TREATMENT DEVICE**
- (71) Applicant: **Shaser, Inc.**, Lexington, MA (US)
- (72) Inventors: **Douglas Ely**, North Andover, MA (US); **Bikram Yonjan**, Somerville, MA (US); **Bernhard Schroter**, Upton, MA (US); **William Owens**, Framingham, MA (US); **Daniel Roth**, Newton, MA (US)
- (73) Assignee: **SHASER, INC.**, Lexington, MA (US)
- (\*\*) Term: **15 Years**
- (21) Appl. No.: **29/551,724**
- (22) Filed: **Jan. 15, 2016**

**Related U.S. Application Data**

- (63) Continuation-in-part of application No. 29/434,358, filed on Oct. 12, 2012, now abandoned.
- (51) **LOC (10) Cl.** ..... **28-03**
- (52) **U.S. Cl.**  
USPC ..... **D24/209**
- (58) **Field of Classification Search**  
USPC ..... D24/133, 158, 163, 188, 200, 209-210;  
D10/57; 606/9, 33; 607/88-94  
See application file for complete search history.

**References Cited**

**U.S. PATENT DOCUMENTS**

D400,258 S	10/1998	Bolleter
D458,161 S	6/2002	Lie
D488,395 S	4/2004	Vu
D499,657 S	12/2004	Lim
D569,987 S	5/2008	Oberreiter et al.
D582,048 S	12/2008	Chiu
D604,855 S	11/2009	Shearlaw et al.
D612,510 S	3/2010	Byle
D620,200 S	7/2010	Belozerova et al.

D621,950 S	8/2010	Seki et al.
D638,132 S	5/2011	Cole et al.
D646,396 S	10/2011	Seki et al.
D652,919 S	1/2012	Sherwood et al.
D656,620 S	3/2012	Altshuler et al.
D670,397 S	11/2012	Ely et al.
8,540,702 B2	9/2013	Ely et al.

(Continued)

**FOREIGN PATENT DOCUMENTS**

EM 001655986 3/2010

**OTHER PUBLICATIONS**

KLCI, "Dr's Secret Touch Full package like new", Sep. 20, 2009, Vr-zone.com, last accessed on Jan. 15, 2016.

*Primary Examiner* — Kevin Rudzinski  
*Assistant Examiner* — John Reickel  
(74) *Attorney, Agent, or Firm* — Schmeiser, Olsen & Watts LLP

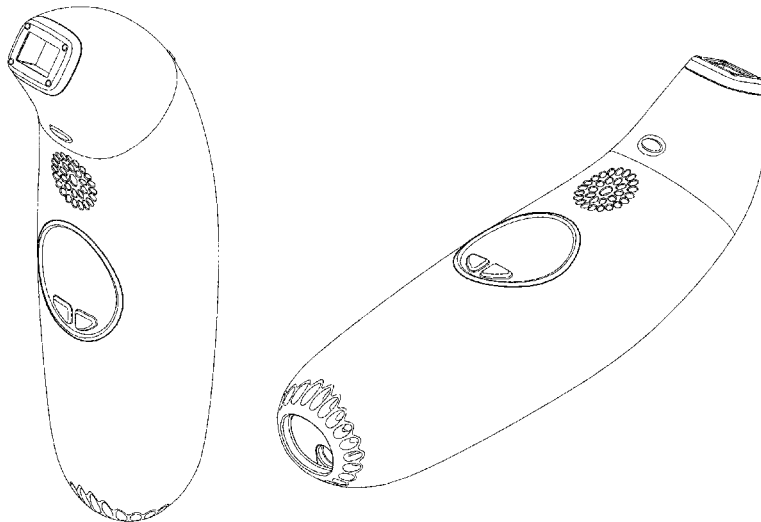
**CLAIM**

(57) The ornamental design for a light-based dermatologic treatment device, as shown and described.

**DESCRIPTION**

FIG. 1 is a front view of the dermatologic treatment device showing the new design.  
FIG. 2 is a side view thereof.  
FIG. 3 is a back view thereof.  
FIG. 4 is an isometric side view thereof.  
FIG. 5 is a top view thereof.  
FIG. 6 is a bottom view thereof  
FIG. 7 is a perspective view thereof.  
FIG. 8 is an exploded perspective view thereof; and,  
FIG. 9 is an opposite side elevated exploded perspective view in closer detail.

**1 Claim, 9 Drawing Sheets**



(56)

**References Cited**

## U.S. PATENT DOCUMENTS

D695,903	S	12/2013	Tamsiran	
D724,726	S *	3/2015	Prokop .....	D24/133
D734,479	S *	7/2015	Youngquist .....	D24/158
D738,516	S *	9/2015	Karim .....	D24/200
D740,413	S *	10/2015	Helmbold .....	D24/133
D742,518	S *	11/2015	Barak .....	D24/158
D747,477	S *	1/2016	Freigang .....	D24/133
D747,800	S *	1/2016	Dunleavy .....	D24/133
D757,953	S *	5/2016	Philips .....	D24/200
D758,600	S *	6/2016	Matsushita .....	D24/200
D759,256	S *	6/2016	Chen .....	D24/200
D759,831	S *	6/2016	Levi .....	D24/200
D760,901	S *	7/2016	Barak .....	D24/158
D760,912	S *	7/2016	Sedic .....	D24/209
2008/0065056	A1	3/2008	Powell et al.	
2009/0254156	A1	10/2009	Powell et al.	
2010/0161011	A1	6/2010	Sueyoshi et al.	
2012/0165800	A1	6/2012	Keeney et al.	
2013/0304163	A1	11/2013	Moon et al.	

\* cited by examiner

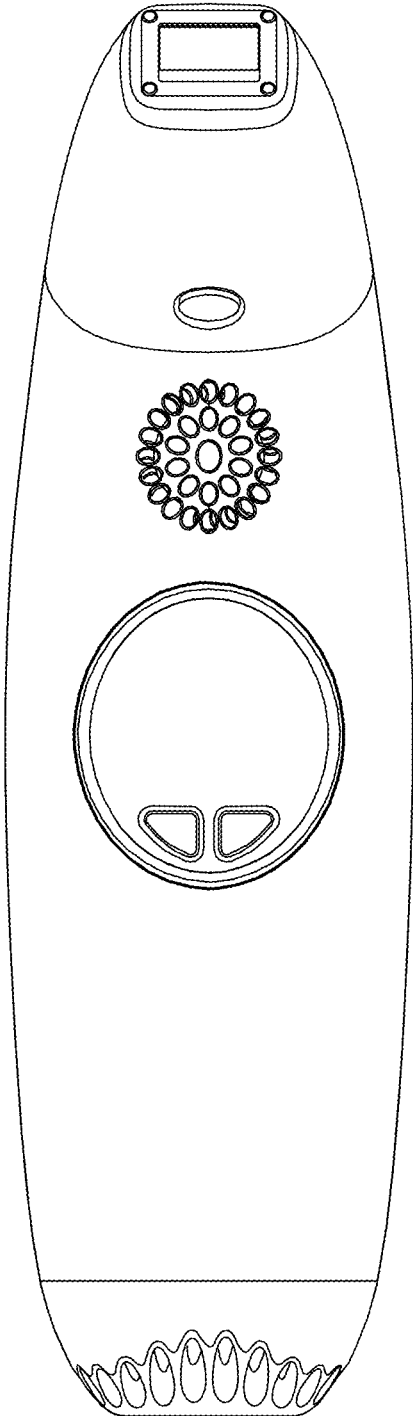


FIG. 1

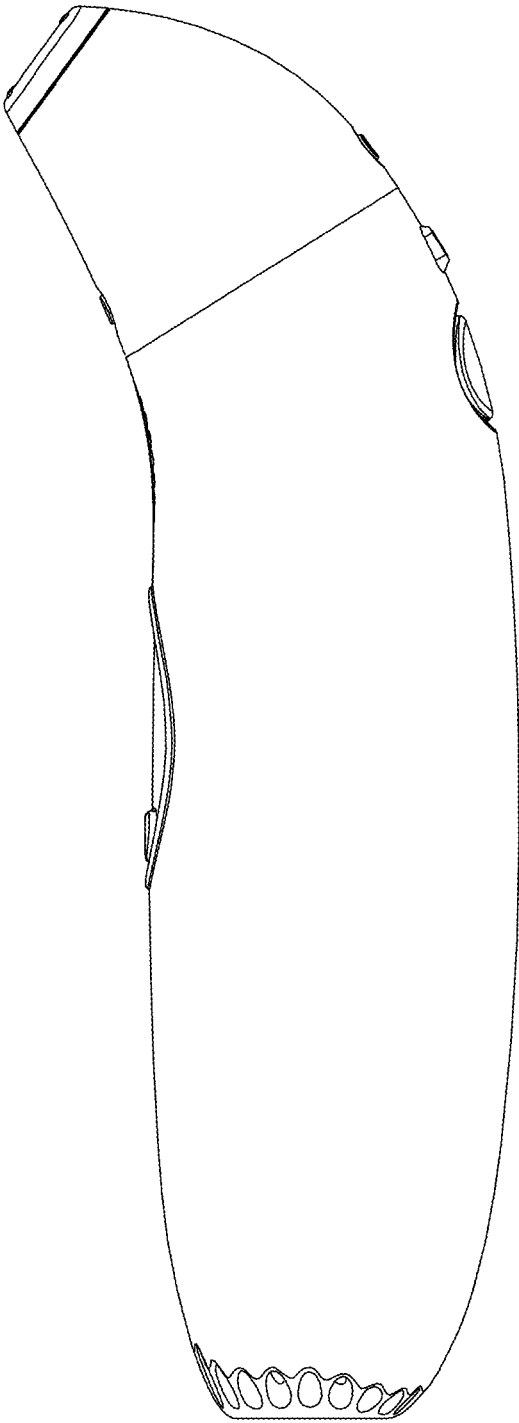


FIG. 2

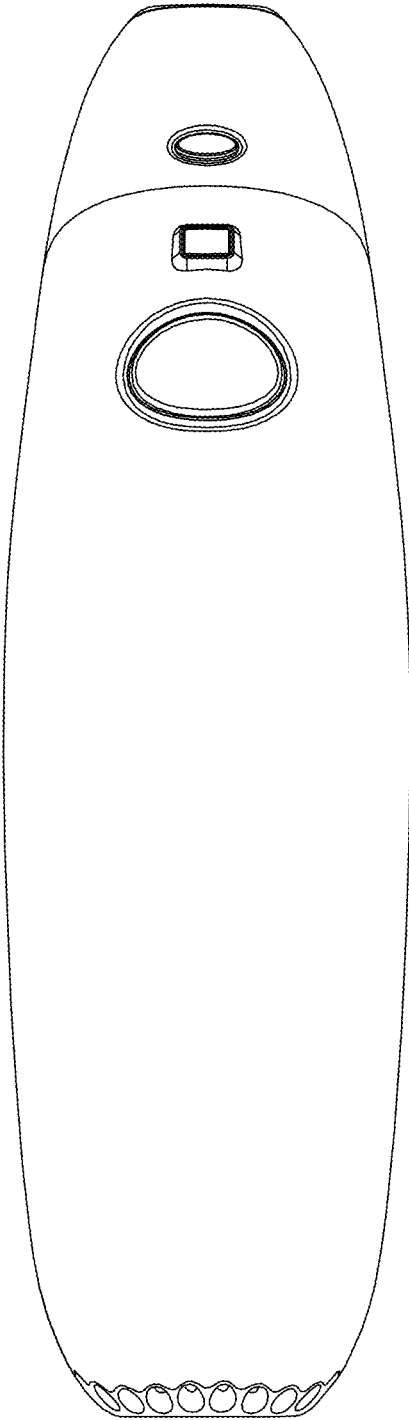


FIG. 3

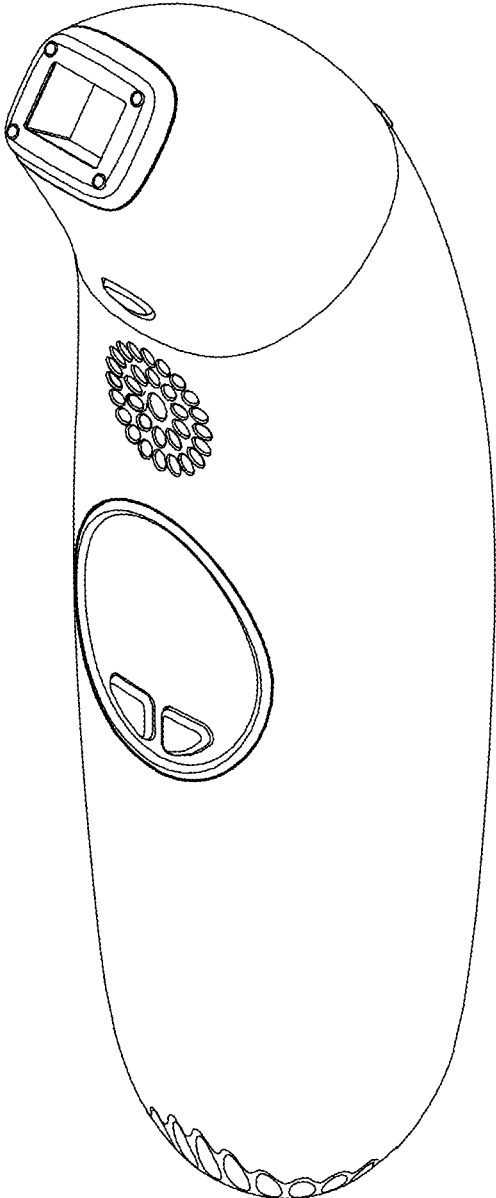


FIG. 4

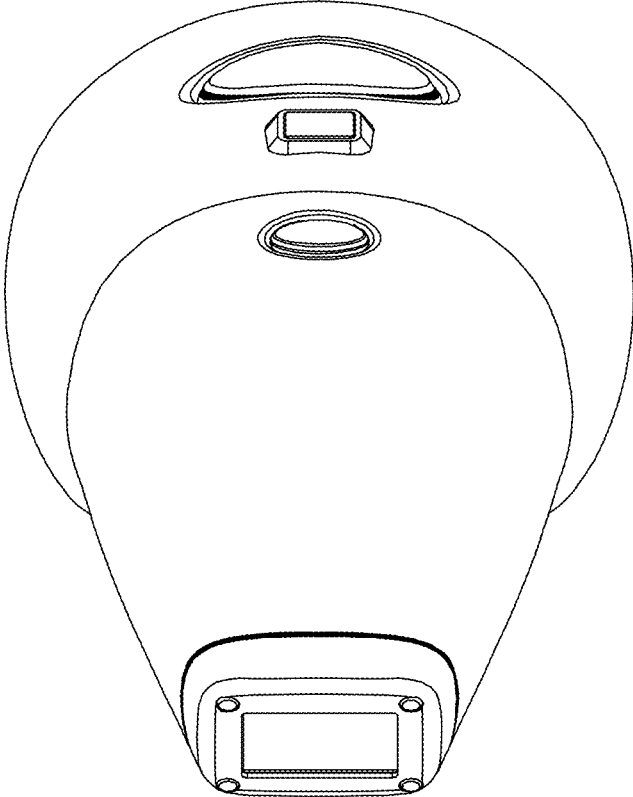


FIG. 5

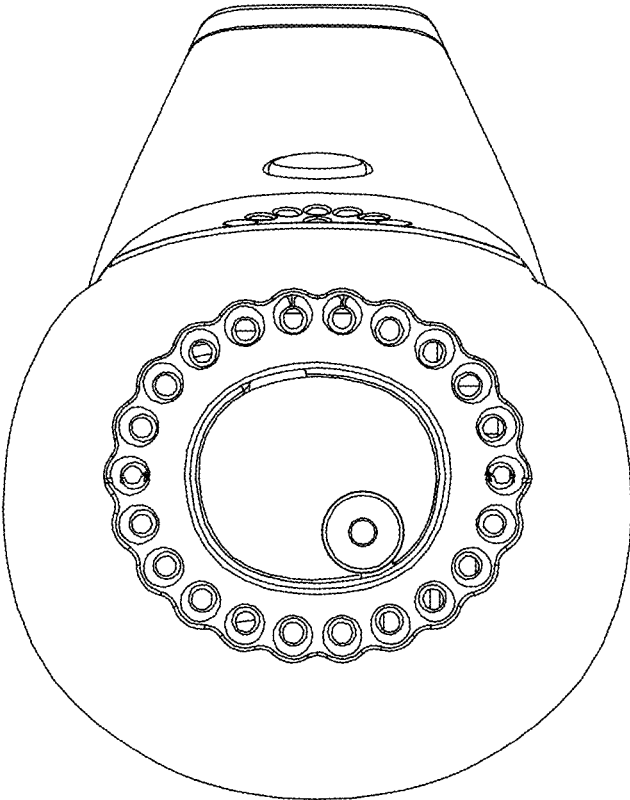


FIG. 6



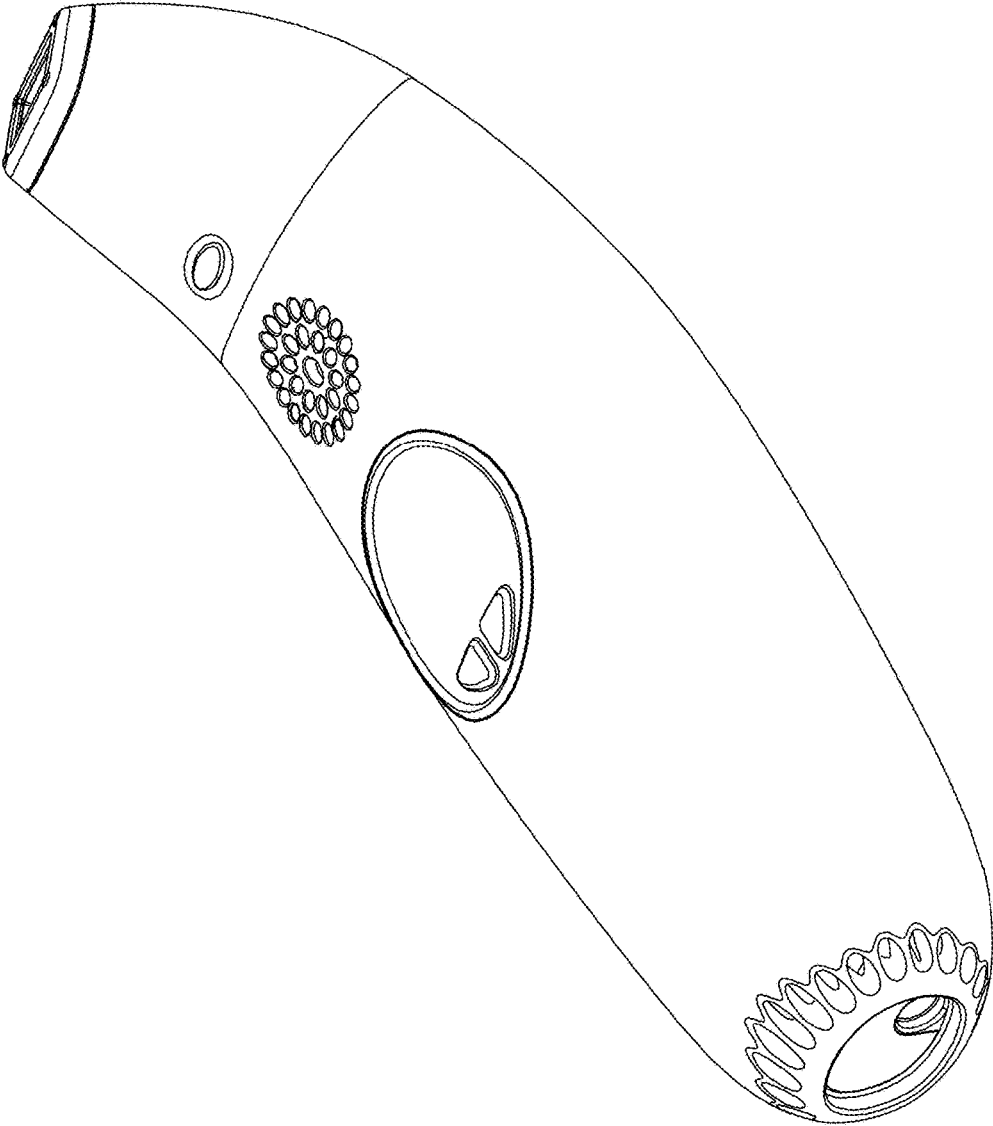


FIG. 7

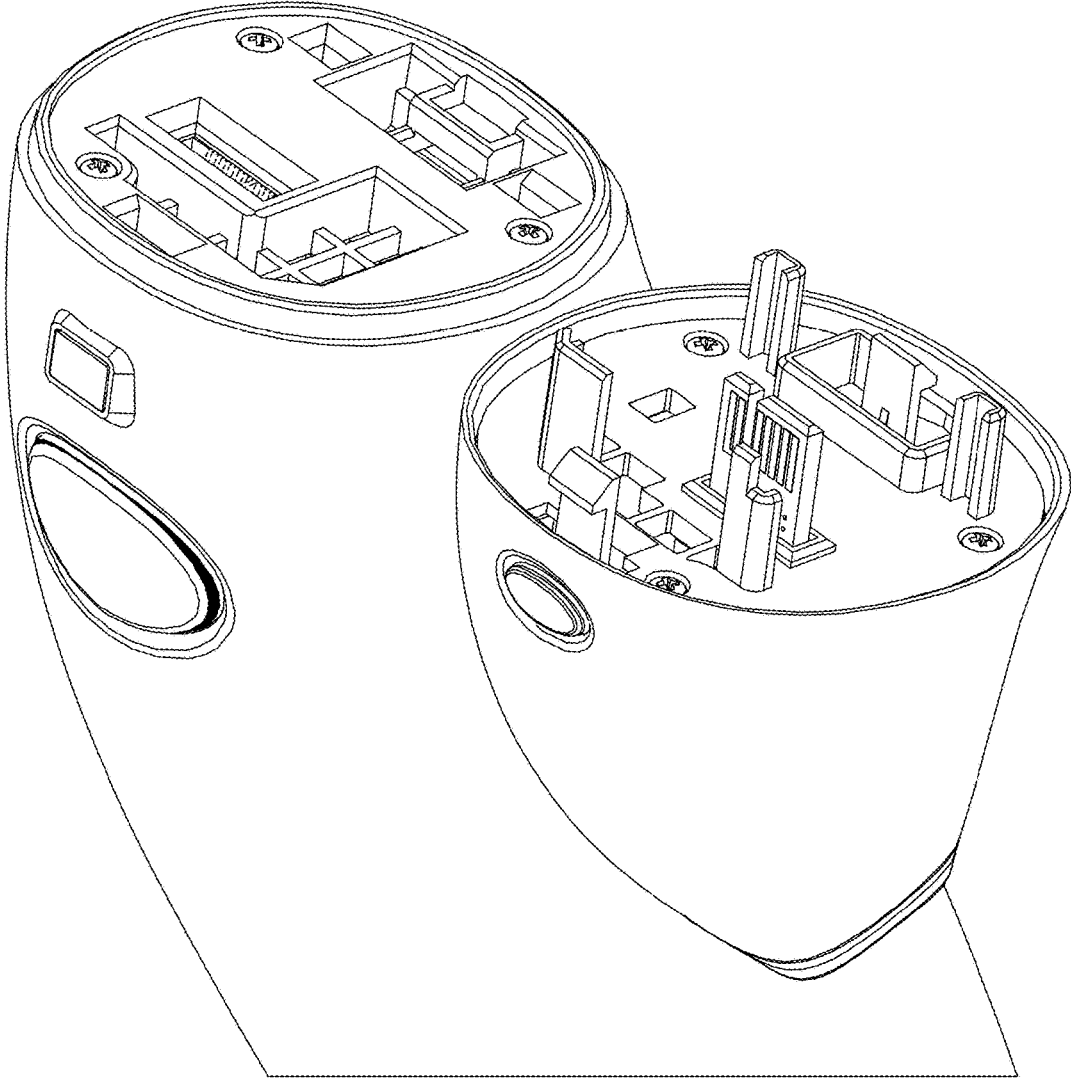


FIG. 8

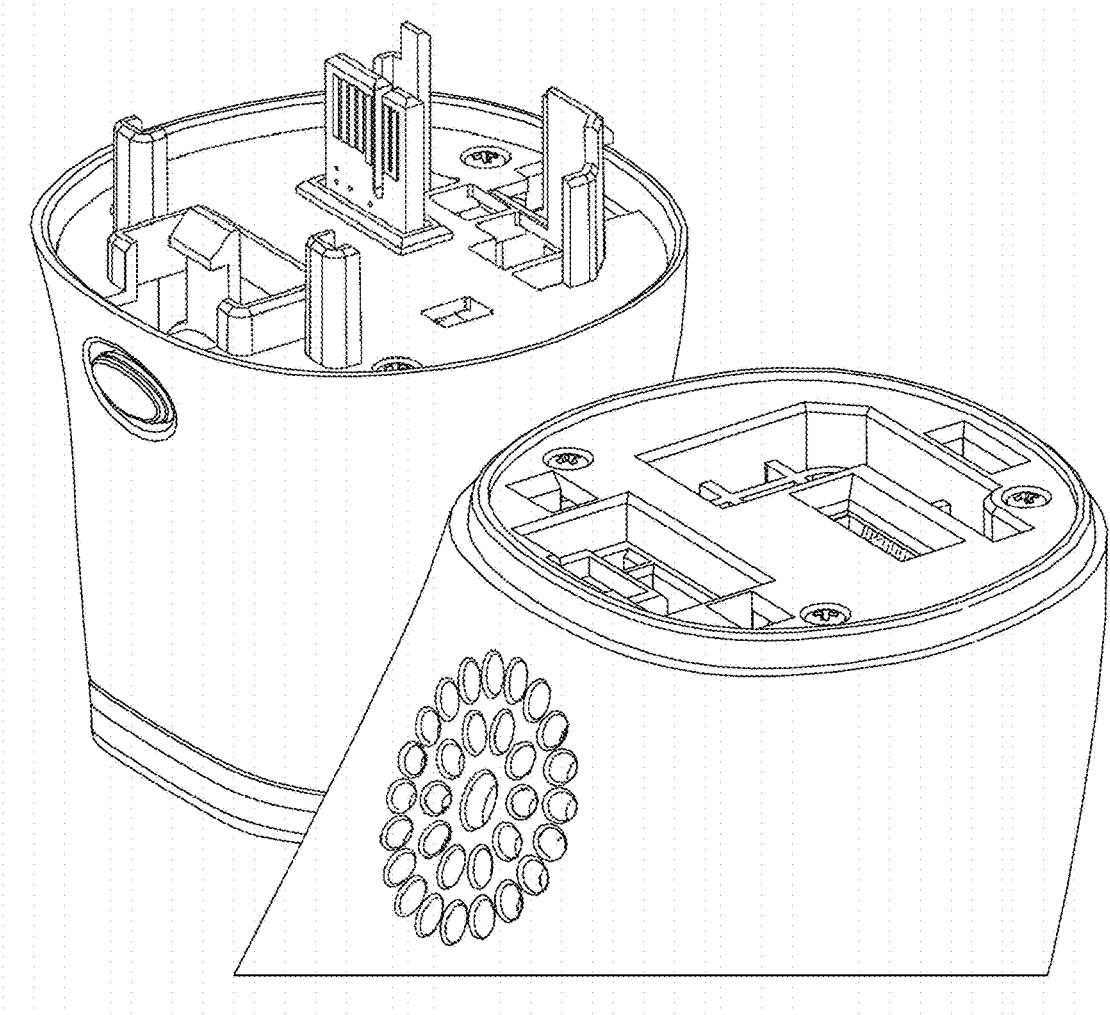


FIG. 9