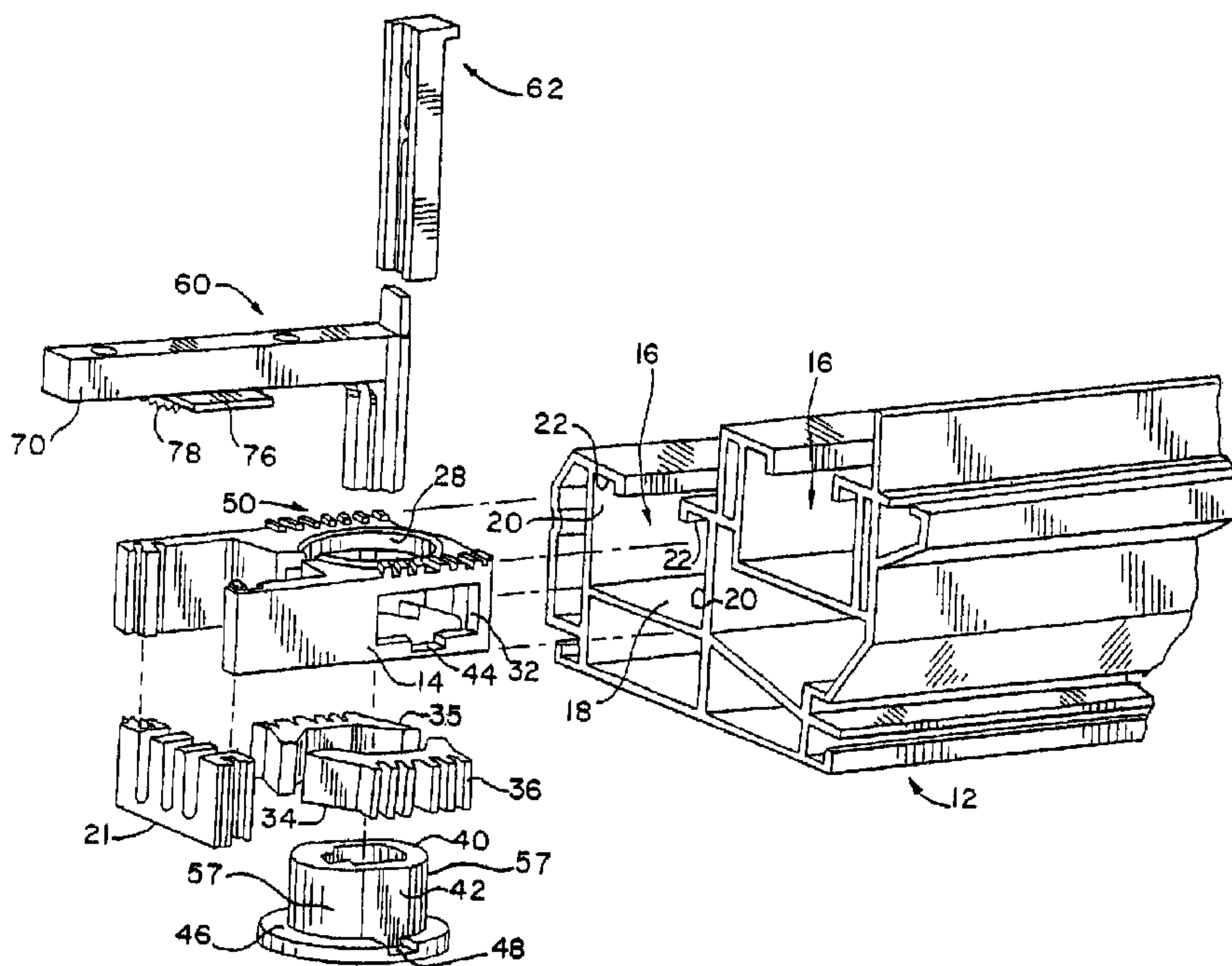




(22) Date de dépôt/Filing Date: 2001/06/22
 (41) Mise à la disp. pub./Open to Public Insp.: 2002/08/09
 (45) Date de délivrance/Issue Date: 2004/09/07
 (30) Priorité/Priority: 2001/02/09 (09/780,917) US

(51) Cl.Int.⁷/Int.Cl.⁷ E05D 15/22
 (72) Inventeurs/Inventors:
 O'DONNELL, RICHARD H., CA;
 ANNES, JASON L., US
 (73) Propriétaire/Owner:
 ASHLAND PRODUCTS, INC., US
 (74) Agent: BLAKE, CASSELS & GRAYDON LLP

(54) Titre : PATIN DE FREIN POUR FENETRE A GUILLOTINE OU PORTE
 (54) Title: BRAKE SHOE FOR SASH WINDOW OR DOOR ASSEMBLY



(57) Abrégé/Abstract:

A brake assembly for locking a vertical or horizontal slidable sash window or door within a track of a frame is disclosed. The track has an elongated base and a pair of spaced apart, opposed sidewalls extending perpendicular from the base. Each sidewall has an inner shoulder spaced from and parallel to the base. The assembly has a slider body having a central opening extending from a front face of the body to a rear face of the body. The slider body has a side opening in each side of the slider body and being in communication with the central opening. A pair of brake members are provided wherein one brake member is slidably positioned within a respective one of the side openings. A cam has a rear face and a front face, and is adapted to receive a pivot, member mounted on either the sash window or door. The cam is positioned in the central opening and is adapted to be rotatable within the opening by the pivot member. The cam, slider body and brake members include cooperative structure for converting rotary motion of the cam into radial movement of the brake members through the side openings and axial movement of the cam and slider body to lock the brake assembly within the track.

ABSTRACT

A brake assembly for locking a vertical or horizontal slidable sash window or door within a track of a frame is disclosed. The track has an elongated base and a pair of spaced apart, opposed sidewalls extending perpendicular from the base. Each sidewall has an inner shoulder spaced from and parallel to the base. The assembly has a slider body having a central opening extending from a front face of the body to a rear face of the body. The slider body has a side opening in each side of the slider body and being in communication with the central opening. A pair of brake members are provided wherein one brake member is slidably positioned within a respective one of the side openings. A cam has a rear face and a front face, and is adapted to receive a pivot member mounted on either the sash window or door. The cam is positioned in the central opening and is adapted to be rotatable within the opening by the pivot member. The cam, slider body and brake members include cooperative structure for converting rotary motion of the cam into radial movement of the brake members through the side openings and axial movement of the cam and slider body to lock the brake assembly within the track.

BRAKE SHOE FOR SASH WINDOW OR DOOR ASSEMBLY**DESCRIPTION****Technical Field**

This invention relates to a pivoting and sliding device for slidable door or window assemblies mounted in a frame. More particularly, it relates to a pivoting and sliding device having cam activated locking mechanisms that are activated when pivoting a slidable door or window out of the plane of the frame.

Background of the Invention

It is known in the prior art of slidable window sash and frame construction to have vertical and horizontal sliding windows adapted to be pivoted out of the frame when desired. For tasks such as cleaning the window from within the building in which the window is installed, a pivoting window must be securely arrested from sliding at the pivot point to prevent sagging or complete dislodging of the sash from the frame.

Pivot mechanisms have included movable pins mounted on the edge of the sash which may be extended outwardly to engage holes in the frame about which the sash may be pivoted. U.S. Patent No. 4,222,201 discloses a pivoting mechanism wherein a pair of spring biased pins are manually extended outward. Mating apertures in the tracks receive the pins, providing an axis of rotation. The sash may then be pivoted. After the window is pivoted back into the plane of the frame, the pins are retracted and secured in place by a screw to allow the sash to freely slide within the frame.

U.S. Patent No. 5,058,321 discloses a mechanism wherein spring biased pivot pins are freed for selective extension into apertures formed in a frame by rotating said pins. The pins are retracted by rotation and secured in place by an arrangement of detents.

It is also known in the prior art to provide a pivoting arrangement which achieves automatic arresting of the sliding motion of a slider body in a track in response to the commencement of the pivoting of the window sash. U.S. Patent No. 4,610,108 discloses such a device which incorporates a generally U-shaped spring member within a block, wherein a pin or strut extending from a window sash is connected. A cam member is incorporated in the block member which is rotatably engagable with the U-shaped member to lock the block in position upon pivoting the window sash. Although simple to operate, experience has shown that a pivot arrangement of this type may not develop adequate arresting strength and reliability.

U.S. Patent No. 5,414,960 discloses a cam and frictional locking assembly in which rotation of the cam in a sliding block, slidably mounted within a track, produces lateral, or radial expansion and normal, or axial biasing of the slide block to frictionally engage four sides of the slide block with respective opposing track surfaces.

Summary of the Invention

According to a first aspect of the invention, a sash balance brake assembly is disclosed for locking a slidable sash window or door within a track of a frame, the track having an elongated base and a pair of spaced apart, opposed sidewalls extending perpendicular from the base, each sidewall having an inner shoulder spaced from and parallel to the base. The assembly has a slider body having a central opening extending from a front face of the body to a rear face of the body, a pair of side openings in the slider body being in communication with the central opening. A brake member is slidably positioned within each side opening. A cam is provided having a rear face and a front face adapted to receive a pivot member mounted on either the sash window or door. The cam is positioned in the central

opening and adapted to be rotatable within the opening by the pivot member for radially biasing the brake members for movement through the side openings wherein the brake members are adapted to frictionally abut the opposed sidewalls and for axially biasing the cam and slider body for axial movement wherein the rear face of the cam is adapted to frictionally abut the elongated base of the track and the front face of the slider body is adapted to frictionally abut the inner shoulders to lock the slider body from slidable travel in the track.

According to another aspect of the invention, radial movement of the brake members and axial movement of the cam and slider body occur substantially simultaneously. In addition, the frictional abutment of the brake members with the sidewalls and the frictional abutment of the cam against the elongated base and slider body against the shoulders occur substantially simultaneously.

According to a further aspect of the invention, the slider body, brake members and cam are provided with frictional surfaces.

According to another aspect of the invention, the brake members are connected by a resilient flexible membrane.

Other features and advantages of the invention will be apparent from this specification taken in conjunction with the following drawings.

Brief Description of the Drawings

The pivoting and sliding device of the invention will now be described with reference to the accompanying drawings, in which:

FIG. 1 is a front elevation of a horizontally slidable sash and frame incorporating the brake shoe assembly device of the present invention;

FIG. 2 is a front elevation of a horizontally slidable sash and frame showing installation and removal of the sash;

FIG. 3 is a partial front elevation of the sash and frame utilizing the present invention showing the sash pivoted perpendicular to the frame;

FIG. 4 is a front elevation of a double-hung vertically sliding window assembly incorporating the device of the present invention;

5 FIG. 5 is an exploded perspective view of a brake shoe assembly, pivot bar and a brake shoe track;

FIG. 6 is an exploded perspective view of the brake shoe assembly and pivot bar as seen from below, with a sash shown in phantom lines;

FIG. 7 is an exploded view of the brake shoe assembly;

10 FIG. 8 is a perspective view of a slide block of the brake shoe assembly;

FIG. 9 is a perspective view of radial brake members of the brake shoe assembly;

FIG. 10 is a perspective view of a cam mechanism of the brake shoe assembly;

15 FIG. 11 is a plan view of the brake shoe assembly in a shoe track wherein the sash, depicted by phantom lines, is in a normally planar position;

FIG. 12 is a plan view of the brake shoe assembly with the sash, depicted by phantom lines, pivoted 90° out of the plane of the frame, showing the brake shoe assembly in an actuated position;

20 FIG. 13 is a vertical cross section taken through line 13-13 of FIG. 11 showing the brake shoe assembly in a non-actuated position and also showing additional sash frame construction;

FIG. 14 is a partial vertical cross section taken through line 14-14 of FIG. 12 showing the brake shoe assembly in an actuated position and also showing additional sash frame construction;

25 FIG. 15 is a partial cut-away view of the brake shoe with the cam mechanism rotated and showing a radial brake member extending beyond an outer surface of the brake shoe;

FIG. 16 is a partial cut-away of the brake shoe with the cam mechanism rotated and showing the radial brake member not depicted in FIG. 15 extending beyond an outer surface of the brake shoe;

FIG. 17 is a perspective view of the brake shoe showing the radial brake members extended beyond the outer surface of the brake shoe;

FIG. 18 is a partial view of a window assembly depicting the window at its initial stages of pivoting;

FIG. 19 is a rear view of the brake shoe assembly;

FIG. 20 is a perspective view of the rear of a second preferred embodiment of the brake shoe assembly of the invention;

FIG. 21 is an exploded perspective view of the second preferred embodiment of the brake shoe assembly of the invention;

FIG. 22 is a front plan view of the second preferred embodiment of the brake shoe assembly of the invention;

FIG. 23 is a side view of the second preferred embodiment of the brake shoe assembly of present invention;

FIG. 24 is a perspective view of the rear of the second preferred embodiment of the brake shoe assembly of the present invention showing the radial brake members extended beyond the outer surface of the brake shoe;

FIG. 25 is a front view of the brake shoe assembly of the second preferred embodiment of the present invention;

FIG. 26 is an end view of the brake shoe assembly of the second preferred embodiment of the present invention showing the radial brake members extended beyond the outer surface of the brake shoe;

FIG. 27 is a front elevation view of a third preferred embodiment of the invention; and

FIG. 28 is a front elevation view of the embodiment of FIG. 27 showing the cam in a rotated position.

Detailed Description

5 While this invention is susceptible of embodiment in many different forms, there is shown in the drawings and will herein be described in detail preferred embodiments of the invention with the understanding that the present disclosure is to be considered as an exemplification of the principles of the invention and is not intended to limit the broad aspect of the invention to the embodiments illustrated.

10 Referring now to FIG. 1 of the drawings, there is shown a slidable window generally designated by numeral 10 and a window frame 12. It is understood that the window assembly could also be a door assembly wherein a slidable door is positioned within a door frame. Brake shoe assemblies 11 are mounted in parallel opposed tracks 16 to provide normal sliding motion of the sash 10 in frame 12. As
15 shown in FIG. 3, the sash 10 is adapted to pivot out of the plane of the frame 12 about a vertical axis through the brake shoe assemblies 11. While FIGS. 1-3 show a horizontal window assembly, the invention can also be utilized in a vertical window assembly such as the double-hung window assembly shown in FIG. 4. It is further understood that the invention is not limited to either horizontally or
20 vertically sliding sashes, but also relates to any other sliding member within a frame.

Now referring to FIG. 5, a partial perspective view of the frame 12 is shown having a pair of integral parallel tracks 16 formed therein into one of which a slider body 14 may be slidably mounted. The frame 12 may be formed of aluminum or
25 plastic in an extrusion process or other suitable manufacturing method. Significant components of the track 16 include an elongated base 18 and a pair of opposed, spaced apart sidewalls 20 substantially parallel to one another and generally

perpendicular to the elongated base 18. Each sidewall 20 has an inwardly facing shoulder 22, substantially parallel to the opposed elongated base 18. The function and importance of the track configuration as described herein will become evident as the description continues.

5 A detailed construction of a brake shoe assembly 11 of the present invention is shown in FIGS. 5-10. The brake shoe assembly 11 generally includes a slider body 14, a cam mechanism 40, and brake members 34,35. The slider body 14 has outside dimensions contoured to fit within the track 16 as described above. Slider body 14 preferably is manufactured from a tough material such as nylon. The
10 slider body 14 has a central opening 28 in proximity to an end 27. The central opening 28 extends from a front face of the body 14 to a rear face of the body 14. The end of slider body 14 distal from end 27 is adapted to receive insert 21 (FIG. 6) which is capable of connection to a means of providing counter balance weight for assisting in the sliding of sash 10 when, for example, the invention is utilized
15 with a vertically sliding sash 10 such as in a conventional double hung window as that shown in FIG. 4. Side or radial openings 32,33 are formed in sidewalls of the slider body 14 and are in communication with the central opening 28. The side openings 32,33 receive radial or lateral brake members 34,35 for reciprocal lateral travel. Brake members 34,35 have protrusions 38 formed in an underside rear side thereof and the radial or side openings 32,33 have a slot 44 to accommodate the
20 protrusion 38. As shown in FIG. 19, the slider body 14 has two pairs of protuberances 45 that are preferably integrally formed with the slider body 14 and extend into the central opening 28. The slider body 14 is adapted to accept different inserts 21 at its upper portion. The inserts accommodate different types of balance systems. Different types of balance systems have different connecting
25 structures. Thus, with the use of inserts 21, a single slider body 14 can accept any of the different balance systems.

Referring to FIGS. 5, 6, 7 and 9, the brake members 34,35 are generally u-shaped. The inner surface 31 of each brake member 34 has a centrally located substantially planar or flat surface or portion 47. The flat surface 47 confronts the cam mechanism 40 as described in greater detail below. Integrally formed in brake members 34 are lips 41. Each brake member 34,35 preferably has a pair of lips 41 at opposite ends. Radial brake members 34,35 are adapted such that lips 41 cooperate with the protrusions 45 as will be described in greater detail below. The brake members 34 also have outer braking surfaces such as frictional ribbed surfaces 36. The frictional ribs 36 can be formed into two groups that extend away from one another, or merely be formed in generally parallel relation. In one preferred embodiment of the invention, the frictional ribs 36, have serrated ends as shown in FIG. 19, to further improve their friction engaging properties.

As shown in FIGS. 5-7, 10 and 15-17, the cam mechanism 40 is adapted to rotate and axially move in the central opening 28 in the slider body 14. The outer surface of the cam 40 has two diametrically opposite flats or flat portions 42 and two generally circular portions 57. The cam mechanism 40 also has a circular flange 46 preferably integrally formed therewith. The flange 46 of the cam mechanism 40 has a pair of diametric recesses 48 on a base surface of the flange 46. The recesses 48 receive protuberances 38 positioned on the brake members 34,35. The flange 46 is adapted to fit in close abutment against a shoulder 30 (FIG. 6) of the slider body 14. The cam mechanism 40 is further adapted such that flats 42 fit in close abutment with planar surfaces 47 of the brake members 34,35. The underside of cam mechanism 40 has a plurality of elongated ridges or cam base friction ribs 43 extending across its planar underside. When the cam mechanism 40 is rotated, cam action produces both lateral expansion of radial brake members 34,35 and vertical or axial biasing of the slider body 14 to lock

slider body 14 in track 16, resulting in four-way breaking as will be described in greater detail below.

As shown in FIGS. 5-8 and 15, slider body 14 also includes friction engaging means 50 such as substantially transverse friction ribs 51 extending from a front or upper surface of the slider body 14. The ribs 51 slide in close abutment with the track inwardly facing shoulders 22. As depicted, the ribs 51 are comprised of two groups positioned at converging angles with respect to one another. Alternatively, the ribs 51 could be positioned in substantial parallel relation. When brake members 34,35 are expanded laterally or radially and the slider body 14 is biased axially, the outer braking surfaces 36, are pressed tightly against the opposed track side walls 20 and the friction ribs 50 and cam base friction ridges 43 are pressed tightly against the opposed shoulders 22 and elongated base 18 respectively. The brake shoe assembly 11 is then frictionally arrested against movement of the slider body 14 within track 16 via four-way breaking.

Referring now to FIGS. 5-7 and 10, cam mechanism 40 includes an elongated axial opening 54, centrally located, having a rectangular keyway 56 at one side opposing an arcuate surface 58. An upwardly extending pivot means 60, or pivot member or bar 60, for joining sash 10 to slider body 14 is mounted within the opening 54 of cam mechanism 40, adapted to fit in close abutment with the keyway 56. The upper extension of the pivot member 60 has longitudinal ribs 68 configured to receive mating slotted surface 64 of locking tab 62. The sliding of locking tab 62 downward, such that the locking tab lower extension 63 enters the opening 54 in close and mating abutment with the arcuate surface 58, tightly engages pivot means 60 in keyway 56 of opening 54. Locking tab 62 is secured to pivot means 60 by a bolt and lock nut (not shown). Extension 70 of the pivot means 60 is securely fastened to the underside of sash 10 in recess 74, such as with two screws (not shown) or any other known connection means. While the pivot

bar 60 is shown as a separate structure that is releasably connected to the sash 10 and cam mechanism 40, it is understood that the pivot bar 60 may be integral with the sash 10. It is further understood that other pivot members 60 could be utilized with the brake shoe 11.

5 As shown in FIG. 6, a friction pad 76, consisting of a plurality of elongated ribs 78 is mounted to the underside of horizontal arm 70 of pivot means 60 via any suitable known attachment means, such that elongated ribs 78 extend from horizontal arm 70 towards the shoe track 16 when the sash 10 is in its slidable position. Sash 10 has surfaces 80 adjacent to tracks 16 when sash 10 is in its
10 slidable position. Additional friction pads 76 are mounted to surfaces 80 by any known suitable attachment means such that their elongated ribs 78 extend towards the track 16 when sash 10 is in its slidable position.

In operation, window or door sash 10 freely slides horizontally or vertically in frame 12. When the sash 10 is freely slidable, the flat portions 42 of the cam 40
15 are adjacent to the flat portions 47 of brake members 34 and the recesses 48 receive the protrusions 38 of brake members 34,35. The brake members 34,35 and cam 40 are positioned generally within the slider body 14. This is defined as a free-sliding window or door position, such as shown in FIGS. 11 and 13.

If it is desired to pivot sash 10 out of the plane of the frame 12, such as for
20 washing the rear side of the sash glass, the end of the sash distal from the slider body 14, is freed from the frame and pivoted outwardly to a position such as shown in FIGS. 3, 4, 12 and 14, by rotation of pivot means 60 and cam mechanism 40 of the slider body 14. As discussed the cam 40 and brake members 34,35 include cooperative structure for converting rotary motion of the cam 40 into radial
25 movement of the brake members 34,35 through the side openings 32,33 and axial movement of the cam 40 and slider body 14. During the initial stages of sash 10 rotation, friction pads 76 frictionally engage the adjacent tracks 16 (FIG. 18) to

provide initial braking of any sliding movement of the slider bodies 14 prior to full engagement of the four-way braking of the present invention. Through further rotation of sash 10, cam mechanism 40 is rotated causing its substantially circular portions 57 to cooperate with and engage the flat portions 47 of the brake members 34,35 laterally displacing radial brake members 34,35 through the side openings 32,33 whereby the ribbed surfaces 36 are pressed radially outwardly against opposed track sidewalls 20 causing frictional engagement of the same (FIGS. 12 and 14). This radial movement can be realized quicker with the embodiment shown in FIGS. 27 and 28 described below. Upon this displacement, the first and second lips 41 on the brake members 34,35 engage the first and second protuberances 45 (FIG. 19).

This rotation of the cam mechanism 40 also substantially concurrently causes axial biasing of cam mechanism 40 and slider body 14 via interaction of the protrusions 38 moving out of the recesses 48 and engaging the base surface of the flange 46 of the cam 40 such as shown in FIGS. 15-17. In this configuration and as shown in FIG. 14, the friction ribs 51 on the slider body 14 are pressed against the inwardly facing shoulders 22, and cam base elongated ribs 43 are pressed against track base 18 causing frictional abutment or engagement against the opposed elongated base 18 and shoulders 22. This position is defined as a locked window or door position. Thus, the brake assembly 11 is locked against the four inner surfaces of the shoe track 16. It is understood that the placement of the cooperating camming surfaces allow the radial brake members 34,35 to move substantially simultaneously with the axial movement of the cam 40 and slider body 14. Furthermore, it is understood that the braking forces applied to the shoe track 16 by the brake members 34,35, cam 40 and slider body 14 are also simultaneous when in the locked position.

When the sash 10 is rotated back to its slidable position, cam mechanism 40 is rotated such that flats 42 are adjacent to flat portions 47 of brake members 34,35. Protuberances 45 cooperate with lips 41 to provide a resilient biasing force to assist in retracting the radial brake members 34, thereby frictionally releasing ribbed surfaces 36 from opposed track sidewalls 20. In addition, as the cam mechanism 40 is rotated back to its slidable position, the recesses 48 again receive camming protrusions 38 thereby frictionally releasing frictional ribs 51 from inwardly facing shoulders 22 and cam base ridges 43 from the elongated base 18. Thus, the brake assembly 11 is returned to a free sliding position allowing the slider body 14 to slide within track 16.

With reference to FIGS. 5-6, sash installation and removal are facilitated by the device of the invention. Removal of locking tab 62, loosens pivot means 60 in the cam mechanism 40 so that the cam mechanism 40 frees the frictional engagement of the four way braking of the subject invention, such that the sash can be tilted when perpendicular to frame 16 to the position shown in FIG. 2, for removal from the frame. The procedure is reversed for installation of a sash, with locking tab 62 inserted once the sash is positioned perpendicular to tracks 16 of frame 12.

A second preferred embodiment of the present invention is depicted in FIGS. 20 - 26. Elements of this second embodiment that are similar in structure and function to corresponding elements of the first described embodiment will be referred to with identical reference numerals.

In this second preferred embodiment, the brake shoe assembly 11 utilizes an integral brake shoe element. The radial or lateral brake members 34 are connected by a first, upper resiliently flexible member 239 and a second, or lower resiliently flexible member 241. The integral brake element consisting of brake members 34,35 and flexible members 239,241 is mounted in the slider body 14 such that the brake members 34 are slidably located in the side openings 32,33 and such that the

flexible members 239,241 are located within the central opening 28. The cam mechanism 40 is mounted within the central opening 28 such that the flexible members 239 generally surround the cam mechanism 40.

5 In operation, the window or door sash 10 freely slides horizontally or vertically in the frame 12. If it is desired to pivot sash 10 out of the plane of the frame 12, such as for washing the rear side of the sash glass, the end of the sash distal from the slider bodies, is freed from the frame and pivoted outwardly away from the frame by rotation of the pivot bar 60 and cam mechanism 40 of the upper and lower slider bodies 14 connected thereto. During the initial stages of sash 10 rotation, friction pads 76 frictionally engage outer surfaces of their adjacent tracks 10 16 to provide initial braking of any sliding movement of slider bodies 14 prior to full engagement of the four-way braking of the present invention. Through further rotation of the sash 10, the cam mechanism 40 is rotated causing its substantially cylindrical surface 57 to cooperate with the inner surface 31 of the brake members 15 34,35 to laterally displace the brake members 34,35 whereby ribbed surfaces 36 are pressed radially outwardly against opposed track sidewalls 20 causing frictional engagement of the same. The flexible members 239,241 flex to allow radial movement of the brake members 34,35. Rotation of the cam mechanism 40 also substantially concurrently causes axial biasing of the slider body 14 and cam mechanism 40 via interaction of the protrusions 38 leaving the recesses 48 on the cam flange 46 and engaging the base surface of the cam flange 46 whereby 20 frictional ribs 51 are pressed upwardly against inwardly facing shoulders 22, and ridges 43 of the cam 40 are pressed against the elongated base 18 causing frictional engagement of the opposed elongated base 18 and shoulders 22.

25 When the sash 10 is rotated back to its slidable position, cam mechanism 40 is rotated such that flats 42 are adjacent to planar surfaces allowing the resiliently flexible members 239,241 to bias the radial brake members 34,35 back through the

side openings 32,33 to thereby release the ribbed surfaces 36 of the brake members 34,35 from the opposed track sidewalls 20. In addition, the recesses 48 again receive camming protrusions 38 thereby releasing frictional ribs 51 from the inwardly facing shoulders 22 and cam ridges 43 from the track base 18, allowing slider body 14 to slide within the track 16. The flexible members 239,241 provide a resilient biasing force to assist in retracting the brake members 34,35 back through the side openings 32,33.

A third preferred embodiment of the present invention is depicted in FIGS. 27 and 28. In this third preferred embodiment, the brake members 34,35 of the first preferred embodiment are connected by a single resilient flexible membrane or member 339 to provide an integral brake element. The brake members 34,35 are slidably mounted within respective side openings 32,33. The planar surfaces 47 of the brake members 34,35 each have a radial brake member depression 340 formed therein. In a most preferred embodiment, the depressions 340 are formed at substantially a midportion of the planar surface 47.

In this embodiment, the cam mechanism 40 has a radial protrusion 341 formed on each flat surface 42. In a most preferred embodiment, the radial protrusion 341 is formed at substantially a midportion of the flat surface 42. The cam mechanism 40 is mounted in the central opening 28 such that the flexible member 339 extends around the cam mechanism 40. The radial protrusions 341 are received by the depressions 340 on the brake members 34,35.

The freely-slidable window position of the third embodiment is defined as that position wherein the cam flats 42 abut the flat portions 47 of brake members 34,35, depressions 340 receive the cam radial protuberances 341 and cam flange recesses 48 receive brake member protrusions 38. As shown in FIG. 28, when the cam is rotated as previously described, the cam radial protuberances 341 leave the depressions 340 and engage the flat surfaces 47 of the brake members 34,35 to bias

the brake members 34,35 for radial movement, thus resulting in frictional engagement of frictional ribbed surfaces 36 with opposed side walls 20 of track 16. Upon further cam 40 rotation, circular portions 57 of cam 40 engage the flat portions 47 of brake members 34,35 thereby continuing to bias the brake members 34,35 for additional and greater frictional engagement of ribbed surfaces 36 with opposed side walls 20 of track 16. Substantially simultaneous with this radial biasing of brake members 34,35, rotation of cam 40 also causes the brake member protrusions 48 to leave the cam flange recesses 48 resulting in axial biasing of the slider body 14 and cam 40 for frictional engagement of friction ribs 51 with shoulders 22 and for frictional engagement of cam friction ridges 43 with elongated base 18. This position is defined as a locked window position.

It is appreciated that the position of the cam radial protrusions 341 and depressions 340 on the brake members 34,35 provide extremely quick movement of the brake members 34,35 upon rotation of the cam 40. For example, radial braking can be realized upon 10 degrees of rotation of the cam 40. In a most preferred embodiment, maximum radial braking is accomplished upon as little as 5 degrees of rotation of the cam 40. In other prior art designs, maximum braking is not accomplished until 30-90 degrees of rotation of the cam member. In addition, with prior art designs, the braking force was reduced if the cam was rotated greater than 90 degrees because of the flat surfaces on opposite sides of the cam. This does not occur with the present invention as even if the cam 40 is rotated greater than 90 degrees, the protrusions 341 will prevent the brake members 34,35 from moving away from the shoe track 16 and reducing the braking force. It is further understood that the location of the camming surfaces between the brake members 34,35 and cam 40 for axial braking allows for axial braking to be accomplished very quickly.

Upon rotation of the cam 40 back to its freely-slidable window position, resilient flexible member 339 provides a resilient biasing force to assist in retracting the brake members 34,35 to their freely-slidable window position wherein the frictional ribbed surfaces 36 of the brake members 34,35 are released
5 from the opposed side walls 20.

It is understood that the camming feature of the third embodiment represented by depression 340 and protuberance 341, can be incorporated into any of the other embodiments described herein. Also, the pairs of camming surfaces described herein can be respectively reserved. For example, it is herein described that brake
10 members 34,35 have a protrusion 38 located on their rear surface and the cam flange 46 has a corresponding recess 48. It is possible to reverse these surfaces and place protrusion 38 on the cam flange 46 and the recess 38 on the brake members 34. Likewise all the features of the several embodiments described herein can be combined as desired to achieve the desired results.

The present invention provides a number of important advantages. The four-
15 way braking described above results in much more secure braking, which is more quickly realized, than that presently available in the prior art. Window sashes and doors can be pivoted out of the plane of a frame, such as for washing, while safely restrained in the frame. Furthermore, by pivoting the window as little as 5 degrees,
20 brake movement and frictional abutment of the braking surfaces with the shoe track can be commenced and accomplished. If desired, the sash can be easily removed from the frame by removal of a locking tab. The connecting portion of the pivot means for joining the sash to the sliding mechanism is hidden from access by intruders and can be detached from the sash only when the sash is
25 removed from the frame. The pivoting and sliding device is simple in design and reliable and trouble-free in operation. The frictional ribs on the slider body 14, cam mechanism 40 and brake members 34 provide increased frictional properties.

Also, the friction pad 76 provides initial braking when the sash or door is pivoted. Finally, the structure and position of the cooperating cam surfaces between the cam 40 and brake members 34,35 allow for substantially simultaneous, or concurrent movement of the slider body 14, brake members 34,35, and cam 40 to achieve substantially simultaneous, or concurrent four-way locking against the four inner faces of the track 16 more quickly.

While the specific embodiments and various details thereof have been illustrated and described, numerous modifications come to mind without significantly departing from the spirit of the invention and the scope of protection is only limited by the scope of the accompanying Claims.

CLAIMS

WE CLAIM:

- 5 1. A brake assembly for locking a slidable sash window or door within a track of a frame, the track having an elongated base and a pair of spaced apart, opposed sidewalls extending perpendicular from the base, each sidewall having an inner shoulder spaced from and parallel to the base, the assembly comprising:
- 10 a slider body having a central opening extending from a front face of the body to a rear face of the body, a side opening in the slider body being in communication with the central opening;
- a brake member slidably positioned within the side opening;
- a cam having a rear face and a front face adapted to receive a pivot member mounted on either the sash window or door, the cam positioned in
- 15 the central opening and adapted to be rotatable within the opening by the pivot member for radially biasing the brake member for movement through the side opening wherein the brake member is adapted to frictionally abut one of the sidewalls and axially biasing the cam and slider body for axial
- movement wherein the rear face is adapted to frictionally abut the elongated
- 20 base and the front face of the slider body is adapted to frictionally abut the inner shoulders to lock the slider body from slidable travel in the track.
2. The brake assembly of claim 1 wherein the radial movement of the brake member and axial movement of the cam and slider body occur substantially
- 25 simultaneously.

3. The brake assembly of claim 1 wherein the frictional abutment of the brake member against the side wall and the frictional abutment of the cam against the elongated base and slider body against the shoulders occur substantially simultaneously.

5

4. The brake assembly of claim 1 further comprising a second brake member and a second side opening in a second side of the slider body, the second side opening being in communication with the central opening where upon rotation of the cam the second brake member is radially biased through the second side opening wherein the second brake member is adapted to frictionally abut an opposite side wall.

10

5. The brake assembly of claim 1 wherein the brake member further comprises an inner surface with a flat portion formed therein, the cam further comprising an outer surface having a flat portion and a curved portion, wherein the cam is adapted for cooperation between the curved portion of the cam outer surface and the flat portion of the brake member inner surface for said radial biasing of the brake member.

15

6. The brake assembly of claim 1 wherein the brake member has a rear surface, the cam having a flange having a flange surface in opposed relation to the rear surface, one of the surfaces having a protrusion and the other of the surfaces having a recess adapted to receive the protrusion, wherein upon rotation of the cam, the protrusion leaves the recess wherein the slider body is axially biased away from the cam for frictional engagement of the slider body against the shoulders and for frictional engagement of the cam against the elongated base.

20

25

7. The brake assembly of claim 6 wherein the protrusion is located on the brake member, the first side opening having a slot adapted to receive the protrusion.

5 8. The brake assembly of claim 1 wherein the front face of the slider body has a plurality of friction ribs.

9. The brake assembly of claim 8 wherein at least one friction rib has a serrated surface.

10

10. The brake assembly of claim 8 wherein the plurality of friction ribs comprises two groups of ribs positioned at converging angles with respect to one another.

15

11. The brake assembly of claim 1 wherein the brake member has an outer surface having a plurality of brake member friction ribs.

12. The brake assembly of claim 11 wherein at least one of the brake member friction ribs has a serrated surface.

20

13. The brake assembly of claim 11 wherein the plurality of brake member friction ribs comprise two groups of ribs, the groups extending from the brake member and away from one another.

25

14. The brake assembly of claim 1 where the rear face of the cam has a plurality of friction ridges.

15. The brake assembly of claim 1 wherein the slider body has a protuberance extending into the central opening and the brake member has a lip, the lip engaging the protrusion when the brake member extends through the side opening.

5

16. The brake assembly of claim 1 wherein the slider body has a first protuberance and a second protuberance each extending into the central opening and the brake member has a first lip and a second lip, the first lip engaging the first protuberance and the second lip engaging the second protuberance when the brake member extends through the side opening.

10

17. The brake assembly of claim 1 wherein the pivot member has a friction pad fastened thereto.

15

18. The brake assembly of claim 17 wherein the friction pad has a plurality of elongated ribs.

19. The brake assembly of claim 3 wherein the brake members are connected by a resilient flexible member.

20

20. The brake assembly of claim 1 wherein the slider body is adapted to receive a plurality of different inserts to accommodate connection to different balance systems that provide an upward biasing force to the slider body.

25

21. A brake assembly for locking a slidable sash window or door within a track of a frame, the track having an elongated base and a pair of spaced apart,

opposed sidewalls extending perpendicular from the base, each sidewall having an inner shoulder spaced from and parallel to the base, the assembly comprising:

5 a slider body having a central opening extending from a front face of the body to a rear face of the body, a side opening in each side of the slider body and being in communication with the central opening;

a pair of brake members, one brake member slidably positioned within a respective one of the side openings;

10 a cam having a rear face and a front face, the cam adapted to receive a pivot member mounted on either the sash window or door, the cam positioned in the central opening and adapted to be rotatable within the opening by the pivot member;

15 the cam and brake members including cooperative means for converting rotary motion of the cam into radial movement of the brake members through the side openings and axial movement of the cam and slider body.

22. The brake assembly of claim 21 wherein the radial movement of the brake members and axial movement of the cam and slider body occur substantially simultaneously.

20 23. The brake assembly of claim 22 wherein the radial movement of the brake members through the side openings locks the brake members against the side walls and the axial movement of the cam and slider body locks the cam against the base and the slider body against the shoulders wherein the locking occurs simultaneously.

25 24. The brake assembly of claim 21 wherein each brake member further comprises an inner surface with a flat portion formed therein, the cam further

comprising an outer surface having a pair of flat portions and a pair of curved portions, wherein the cam is adapted for cooperation between the curved portions of the outer surface and the flat portion of the inner surfaces for radial movement of the brake members.

5

25. The brake assembly of claim 21 wherein the brake members have a rear surface, the cam having a flange having a flange surface in opposed relation to the rear surface, either each brake member rear surface having a protrusion and the flange surface having a pair of recesses or each brake member rear surface having a depression and the flange surface having a pair of protrusions, where upon rotation of the cam, the protrusions leave the recesses for axial biasing of the slider body away from the cam.

10

26. The brake assembly of claim 25 wherein the protrusions are located on the rear surfaces and the side openings have a slot adapted to receive the protrusions.

15

27. The brake assembly of claim 21 wherein the front face of the slider body has a plurality of friction ribs.

20

28. The brake assembly of claim 27 wherein the plurality of friction ribs comprises two groups of ribs positioned at converging angles with respect to one another.

25

29. The brake assembly of claim 21 wherein the brake members have an outer surface having a plurality of brake member friction ribs.

30. The brake assembly of claim 29 wherein at least one of the brake member friction ribs has a serrated surface.

5 31. The brake assembly of claim 21 where the rear face of the cam has a plurality of friction ridges.

10 32. The brake assembly of claim 21 wherein the slider body has a protuberance extending into the central opening and the brake member has a lip, the lip engaging the protuberance when the brake member extends through the side opening.

33. The brake assembly of claim 21 wherein the pivot member has a friction pad fastened thereto.

15 34. The brake assembly of claim 33 wherein the friction pad has a plurality of elongated ribs.

20 35. The brake assembly of claim 21 wherein the brake members are connected by a resilient flexible member.

25 36. A brake assembly for locking a slidable sash window or door within a track of a frame, the track having an elongated base and a pair of spaced apart, opposed sidewalls extending perpendicular from the base, each sidewall having an inner shoulder spaced from and parallel to the base, the assembly comprising:
a slider body having a central opening extending from a front face of the body to a rear face of the body, a side opening in each side of the slider body and being in communication with the central opening;

a pair of brake members, one brake member slidably positioned within a respective one of the side openings;

a cam having a rear face and a front face adapted to receive a pivot member mounted on either the sash window or door, the cam positioned in the central opening and adapted to be rotatable within the opening by the pivot member for radially biasing the brake members through the side openings wherein the brake members are adapted to frictionally abut the sidewalls and axially biasing the cam and slider body wherein the rear face is adapted to frictionally abut the base and the front face of the slider body is adapted to frictionally abut the inner shoulders to lock the slider body from slidable travel in the track.

37. The brake assembly of claim 36 wherein the radial movement of the brake members and axial movement of the cam and slider body occurs substantially simultaneously.

38. A pivoting locking device for use with a window or door sash slidably mountable for travel in at least one of a pair of opposed tracks, said tracks each having an elongated base and a pair of spaced apart, opposed sidewalls extending perpendicular from said base, each of said sidewalls having an inner shoulder spaced from and parallel to the base, said device comprising:

a slide block having a front surface and having a central opening therethrough, and further having a radial opening extending laterally from the central opening;

a brake member mountable in said slide block for reciprocal movement through said radial opening, the brake member having an outer braking surface, a rear surface and an inner surface;

a cam having a non-circular outer surface and a substantially circular bottom flange having a lower surface and an upper surface, the cam rotatably mounted in

the central opening such that the outer surface of the cam mechanism is adjacent to the inner surface of the brake member and the upper surface of the bottom flange is adjacent to the rear surface of the radial brake member;

5 wherein rotation of said cam causes the outer surface of the cam to cooperate with the inner surface of the radial brake member thereby displacing the radial brake member for frictional engagement of the outer braking surface with a side wall of said track and wherein said rotation of the cam causes the upper surface of the bottom flange to cooperate with the rear surface of the radial brake member thereby axially displacing the cam mechanism for frictional engagement of the
10 lower surface of the bottom flange with the elongated base and for frictional engagement of the front surface of the slide block with one of said inner shoulders.

39. A brake assembly for locking a slidable sash window or door within a track of a frame, the track having an elongated base and a pair of spaced apart,
15 opposed sidewalls extending perpendicular from the base, each sidewall having an inner shoulder spaced from and parallel to the base, the assembly comprising:

a slider body having a central opening extending from a front face of the body to a rear face of the body, a side opening in each side of the slider body, each side opening being in communication with the central opening;

20 a pair of brake members connected by a flexible membrane, one brake member slidably positioned within a respective one of the side openings, each of said brake members having an inner surface with a flat portion formed thereon, said flat portion having a depression formed thereon, each of said brake members further having an outer surface with a series of friction ribs formed thereon, each of said
25 brake members further having a rear surface with a protrusion formed thereon;

a cam having a rear face and a front face adapted to receive a pivot member mounted on either the sash window or door, the cam positioned in the central

opening and adapted to be rotatable within the opening by the pivot member, the cam further having an outer surface with a pair of curved portions and a pair of flat portions, each of said flat portions of the cam outer surface having a cam protuberance formed thereon, the cam further having a flange connected to the rear face, the flange having an upper surface with a pair of cam depressions formed therein, the rear face of the cam having a plurality of friction ridges formed thereon;

the cam being rotatable for radially biasing the brake members through the respective side openings by cooperation between the cam protuberances and the brake member depressions and between the curved portions of the cam outer surface with the flat portions of the brake members, wherein the brake members are adapted to frictionally abut a respective one of the sidewalls, the cam being further adapted for axially biasing the slider body and cam by cooperation between the cam depressions and brake member protrusions, wherein the rear face of the cam is adapted to frictionally abut the elongated base and the front face of the slider body is adapted to frictionally abut the inner shoulders to lock the slider body from slidable travel in the track.

40. A brake assembly for locking a slidable sash window or door within a track of a frame, the track having an elongated base and a pair of spaced apart, opposed sidewalls extending perpendicular from the base, each sidewall having an inner shoulder spaced from and parallel to the base, the assembly comprising:

a slider body having a central opening extending from a front face of the body to a rear face of the body, a side opening in the slider body being in communication with the central opening;

a pair of brake members, one brake member slidably positioned within a respective one of the side openings, each brake member having an inner surface with a flat portion formed thereon and a rear surface;

5 a cam having a rear face and a front face adapted to receive a pivot member mounted on either the sash window or door, the cam positioned in the central opening and adapted to be rotatable within the opening by the pivot member, the cam further having an outer surface with a pair of flat portions and a pair of curved portions, the cam further having a flange having a flange surface in opposed relation to the rear surfaces, either each rear surface having a protrusion and the flange surface having a pair of recesses or each rear surface having a depression
10 and the flange surface having a pair of protrusions,

wherein when the brake member flat portions engage the cam flat portions and the protrusions are received by the recesses, the brake assembly is in a free-sliding window movement position, and when the brake member flat portions engage the cam curved portions and the protrusions leave the recesses, the brake assembly is
15 in a locked position to slidably lock the window within the frame.

41. A brake assembly for locking a slidable sash window or door within a track of a frame, the track having an elongated base and a pair of spaced apart, opposed sidewalls extending perpendicular from the base, each sidewall having an inner shoulder spaced from and parallel to the base, the assembly comprising:
20

a slider body having a central opening extending from a front face of the body to a rear face of the body, a side opening in the slider body being in communication with the central opening;

25 a brake member slidably positioned within the side opening, the brake member having an inner surface;

a cam having a rear face and a front face adapted to receive a pivot member mounted on either the sash window or door, the cam positioned in the central opening and adapted to be rotatable within the opening by the pivot member, the cam having an outer surface,

5 wherein either the brake member inner surface or the cam outer surface has a depression and the other has a protuberance received by the depression to define a slidable position, where upon rotation of the cam causes the protuberance to be displaced out of the depression to radially bias the brake member through the side opening to define a locked position.

10

42. The brake assembly of claim 41 wherein the inner surface has a flat portion formed therein and the outer surface has a flat portion formed therein wherein the protuberance and depression are respectively formed in either the inner surface flat portion or the outer surface flat portion.

15

43. The brake assembly of claim 42 wherein the protuberance and the depression are respectively located at a mid portion of either the inner surface flat portion or the outer surface flat portion.

20

44. A pivoting and locking device for use with a window or door sash mounted for slidable travel in a pair of opposed tracks, said tracks each having an elongated base and a pair of spaced apart, opposed sidewalls extending perpendicular from said base, each of said sidewalls having an inner shoulder spaced from and parallel to the base, said device comprising:

25

an elongated slide block having an upper surface with friction locking means thereon slidably mountable within each track in close abutment with the opposed track sidewalls and the track inner shoulders, said slide block having in proximity to one end thereof a central vertical opening and a pair of

side wall openings extending laterally from said central opening, a locking device slidably mounted for reciprocal lateral travel in each sidewall opening, each said frictional locking device having an outer friction locking means and an underside surface, noncircular cam means having a substantially circular
5 bottom flange having an undersurface with friction locking means thereon and having an upper surface adapted to oppose and abut the underside surface of the lateral locking devices, one of said opposing surfaces having a recess and the other of said opposing surfaces having a mating protuberance adapted to be received in the recess, said noncircular cam means rotatably mounted in
10 the slide block central opening for abutting the lateral locking devices upon rotation for displacing the lateral devices diametrically outwardly for abutment of the frictional locking means thereon against the opposed track sidewalls and for concurrently axially biasing the upper surface with friction locking means thereon against the track inner shoulders and the cam means
15 undersurface with friction locking means thereon against the track base whereby the slide block is frictionally locked against slidable travel in the track, pivot means adapted to be secured to a window or door sash, and means for releasably mounting said pivot means in the slide block for actuation of the cam means by pivoting of the window or door sash.

20

45. A pivoting and locking device as claimed in claim 44, wherein said friction locking means comprise a textured or ribbed surface formed on the upper surfaces of the comers of the slide block, the underside of the cam means and the outer surfaces of the friction locking devices whereby the outer lateral movement
25 of the lateral locking devices out of the slide block against the opposed track sidewalls and upward movement of the slide block upper surface against the track inner upper shoulders with opposite downward movement of the dam means frictionally engage opposed surfaces.

46. A pivoting and locking device as claimed in claim 44 wherein the pivot means having an extension and the cam means have an opening with a keyway for loosely receiving said pivot means extension, and a locking tab for tight-fitting
5 insertion into said cam means opening for tightly engaging the pivot means extension in the keyway whereby the cam means are rotatable with the pivot means.

FIG. 1

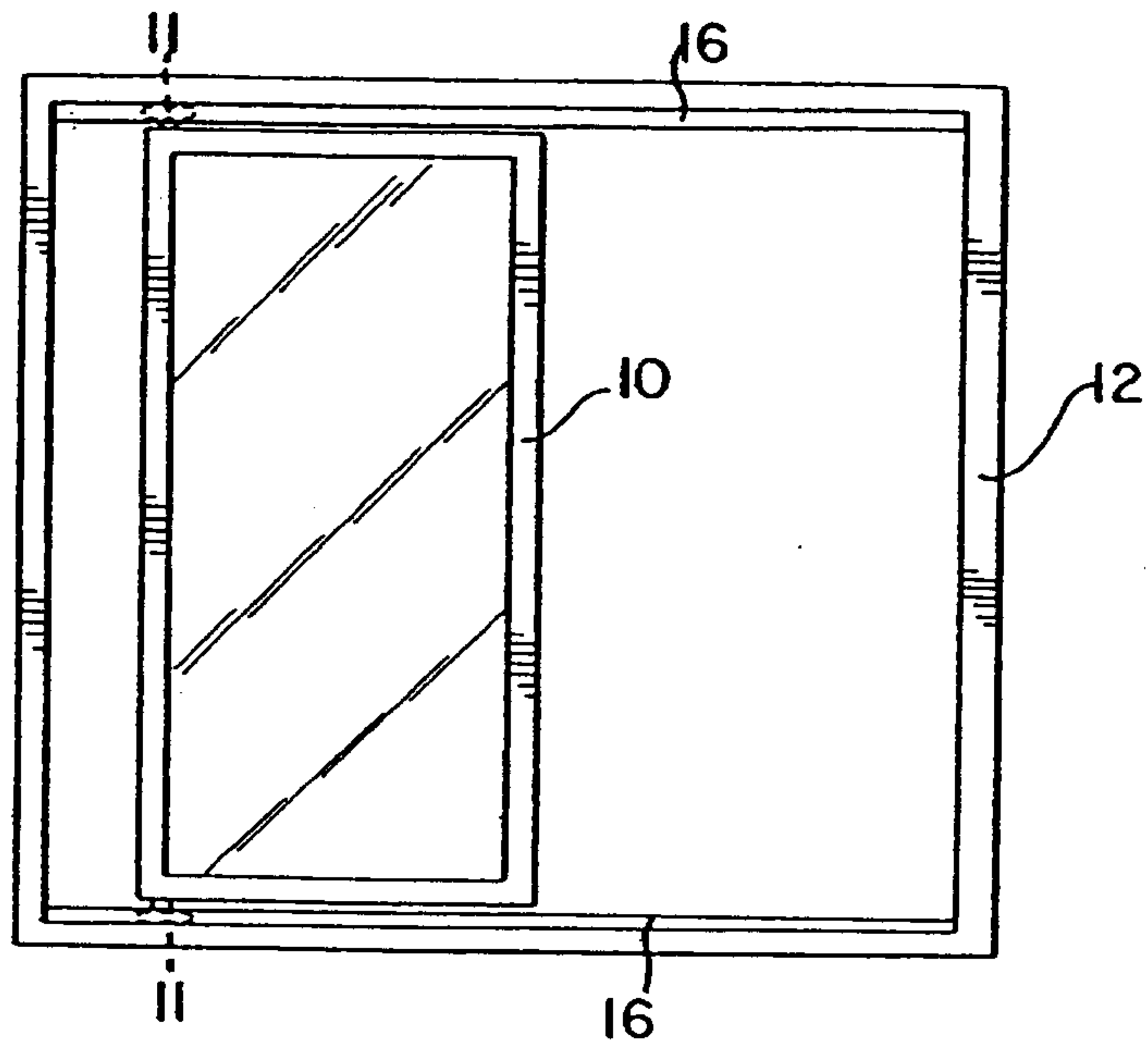


FIG. 2

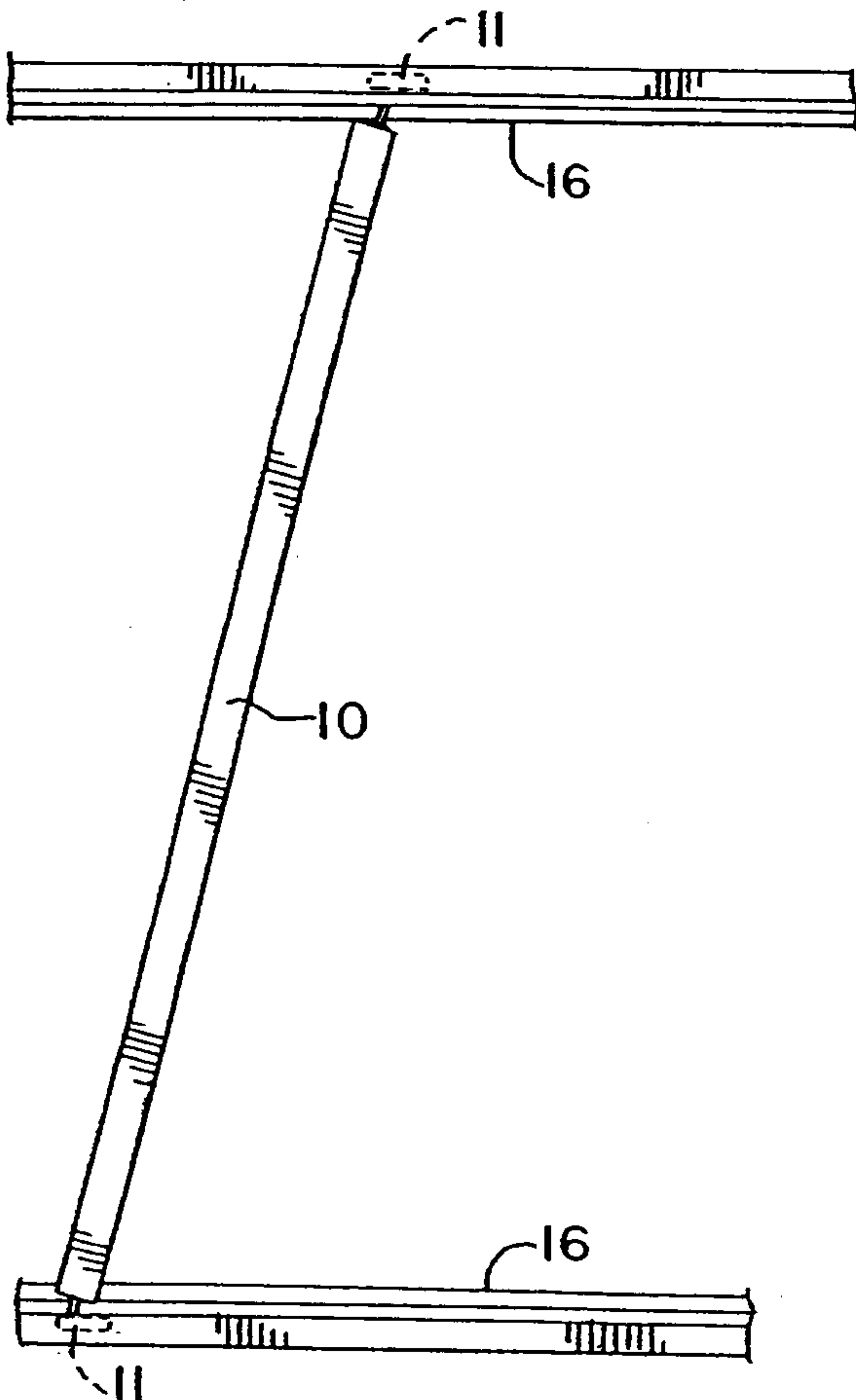


FIG. 3

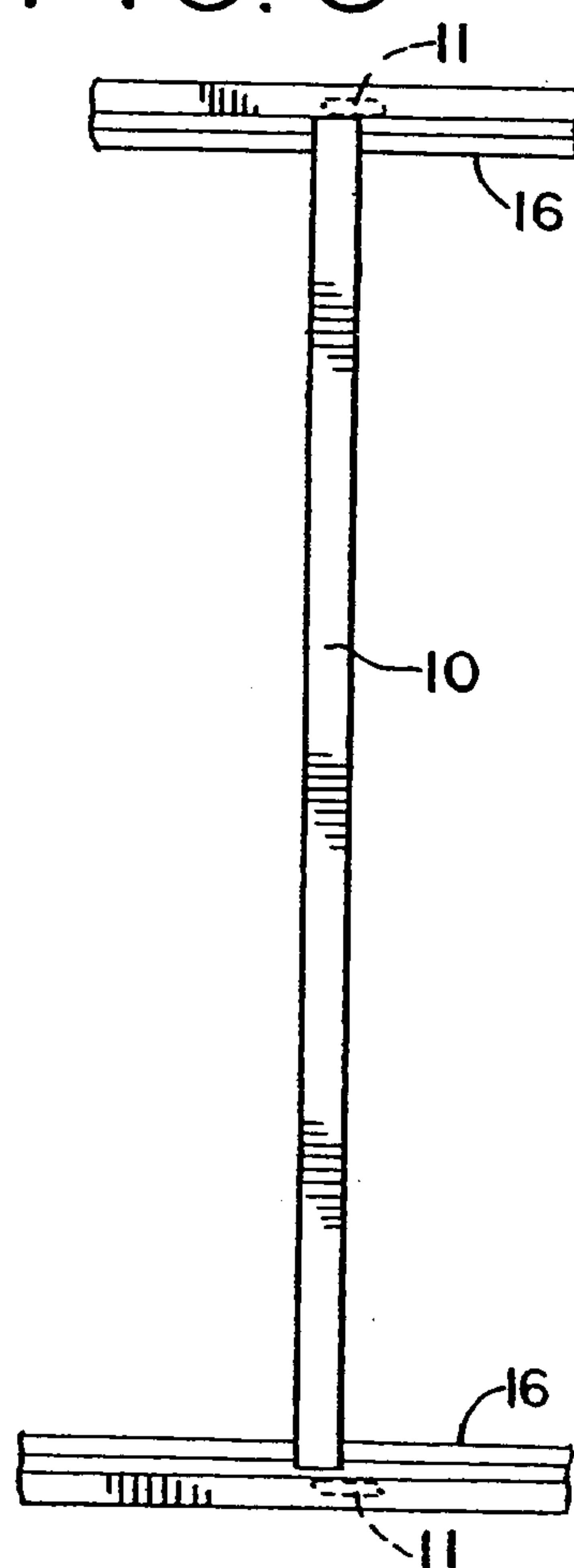


FIG. 4

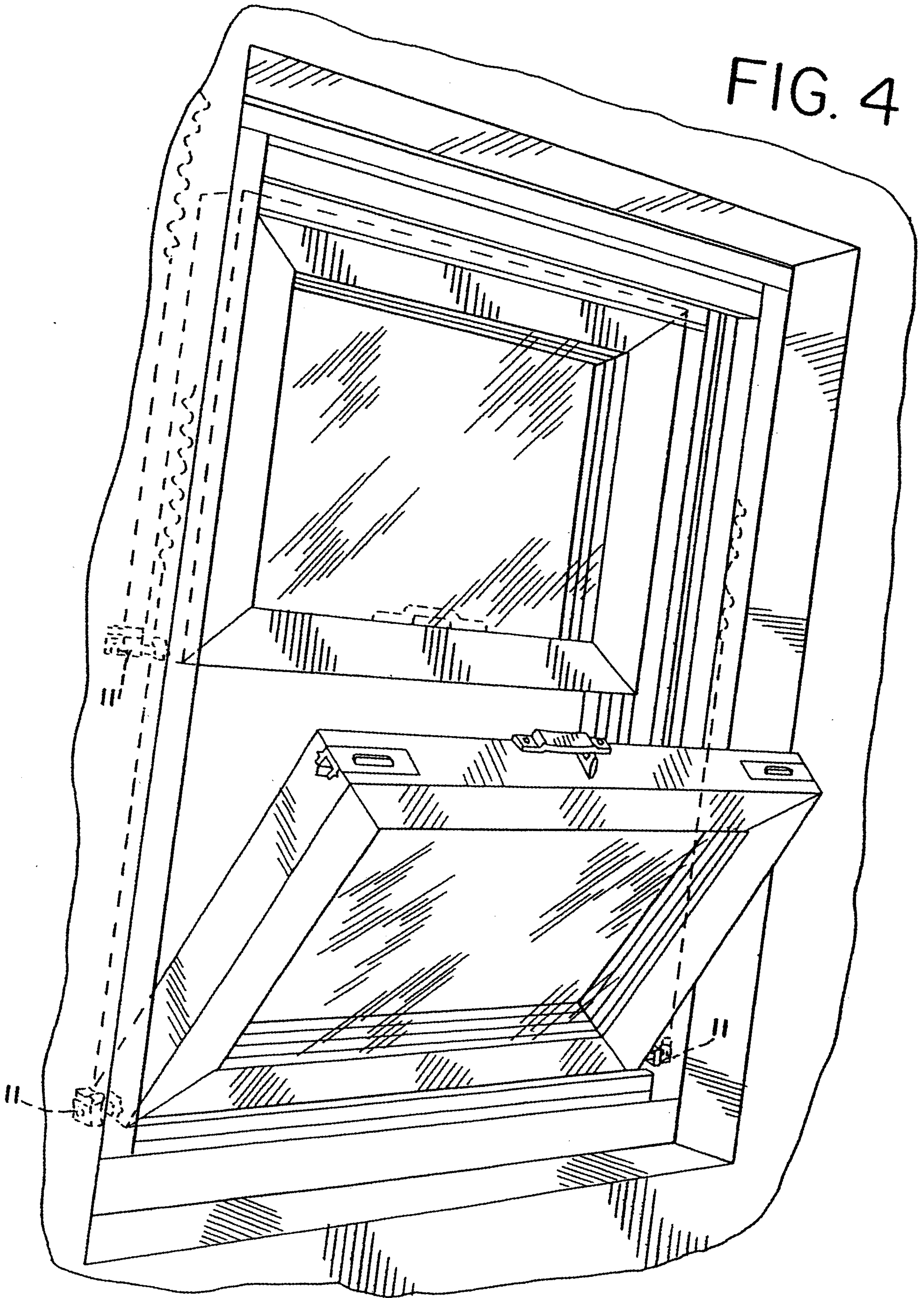


FIG. 5

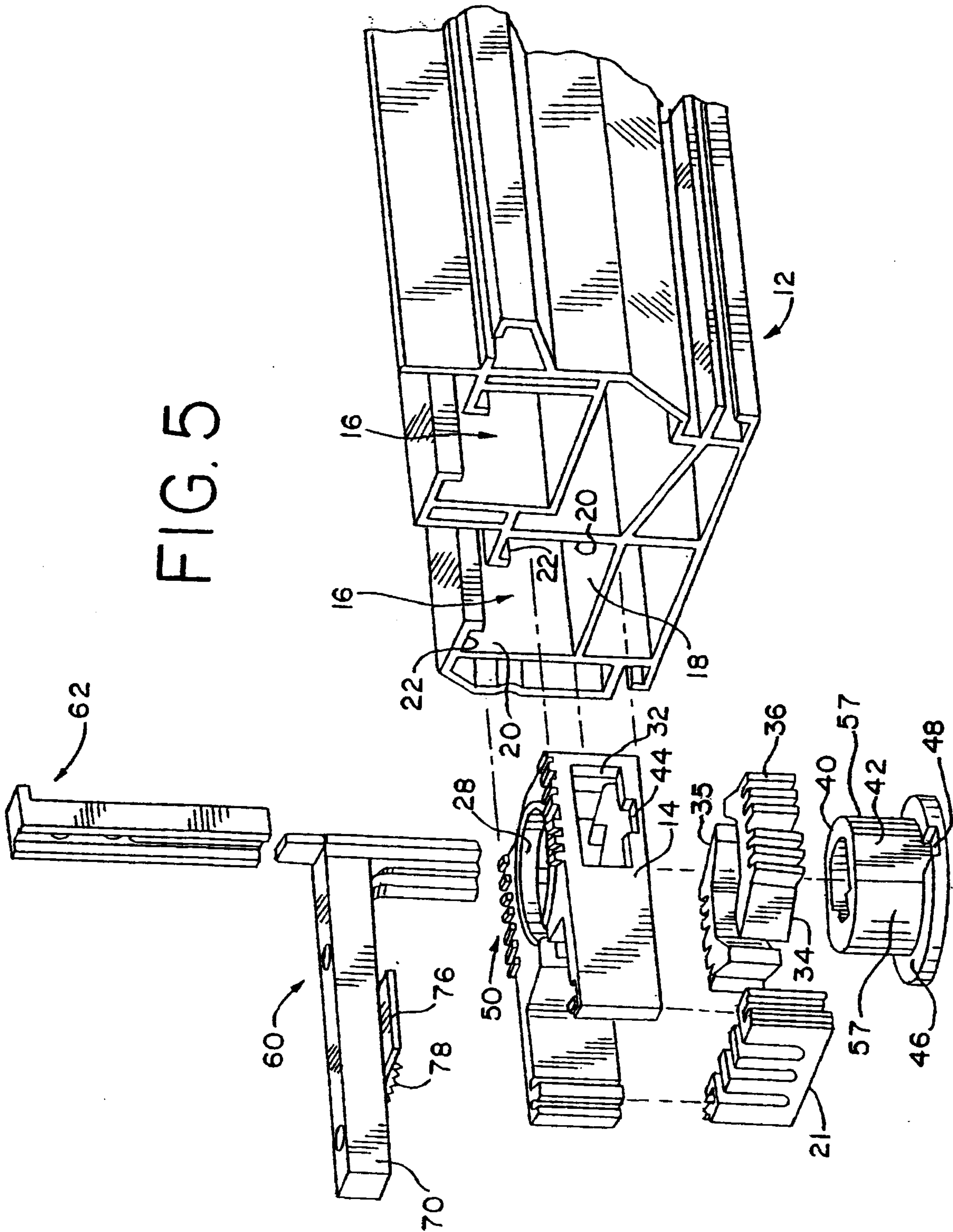


FIG. 6

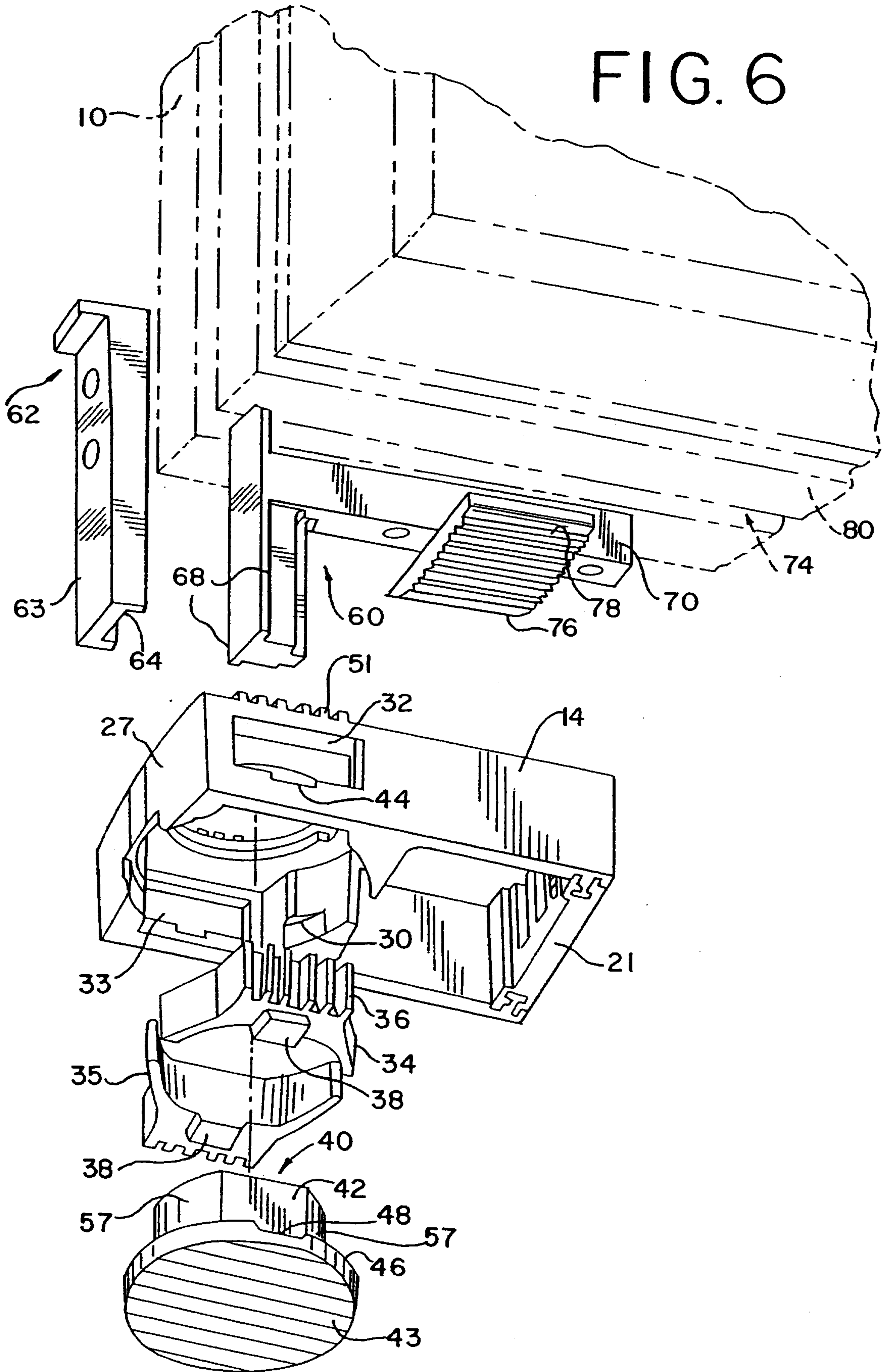


FIG. 7

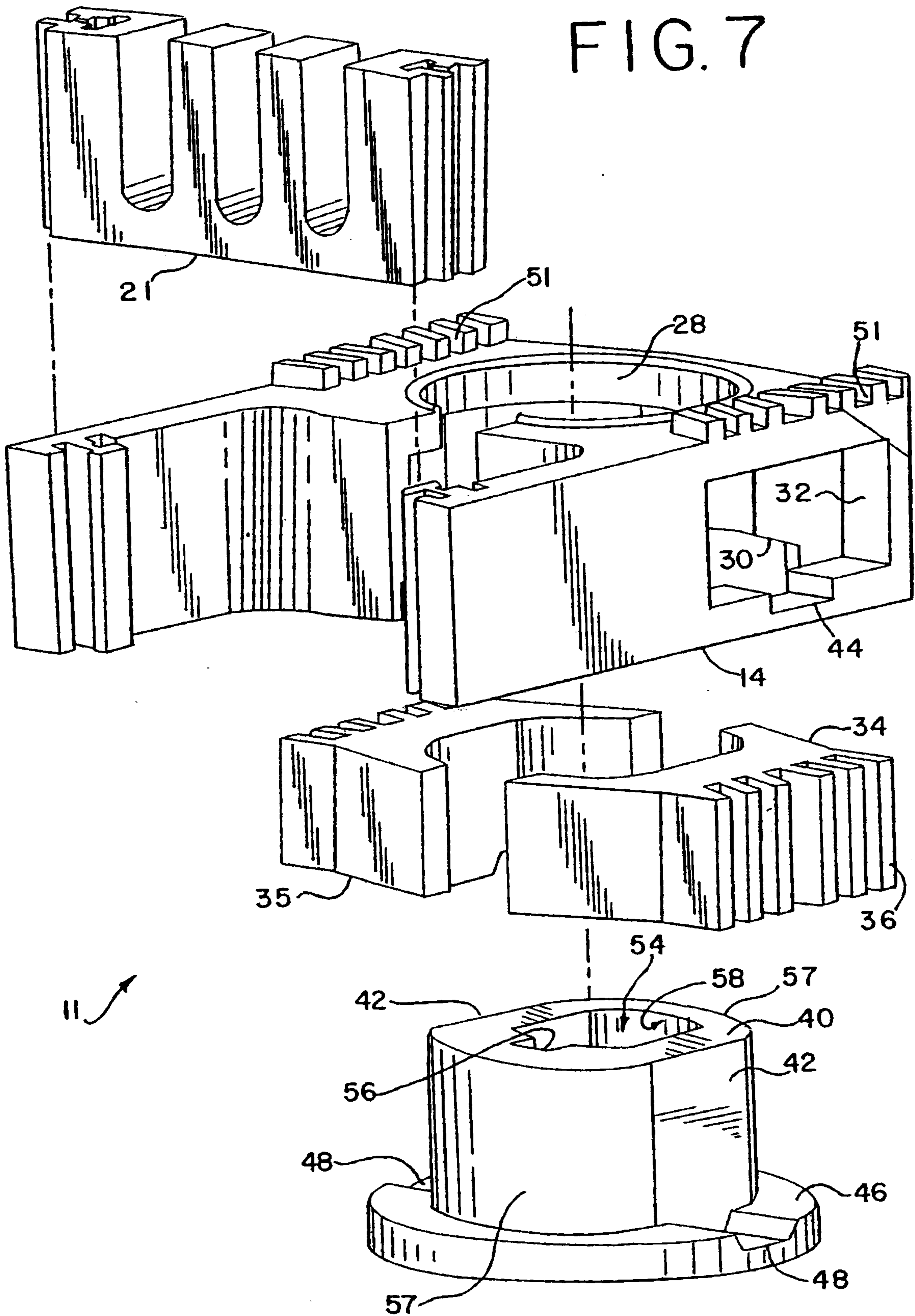


FIG. 8

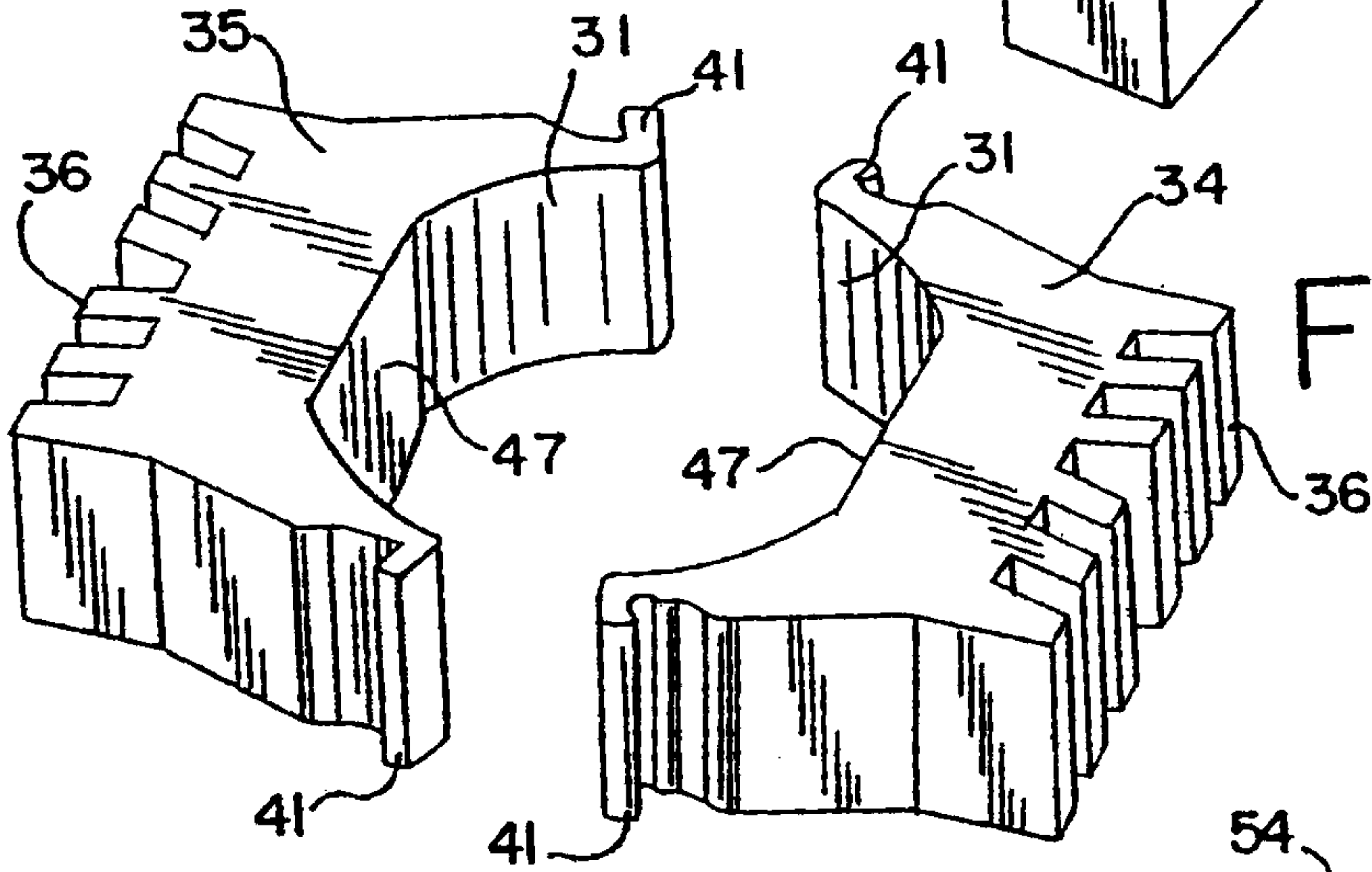
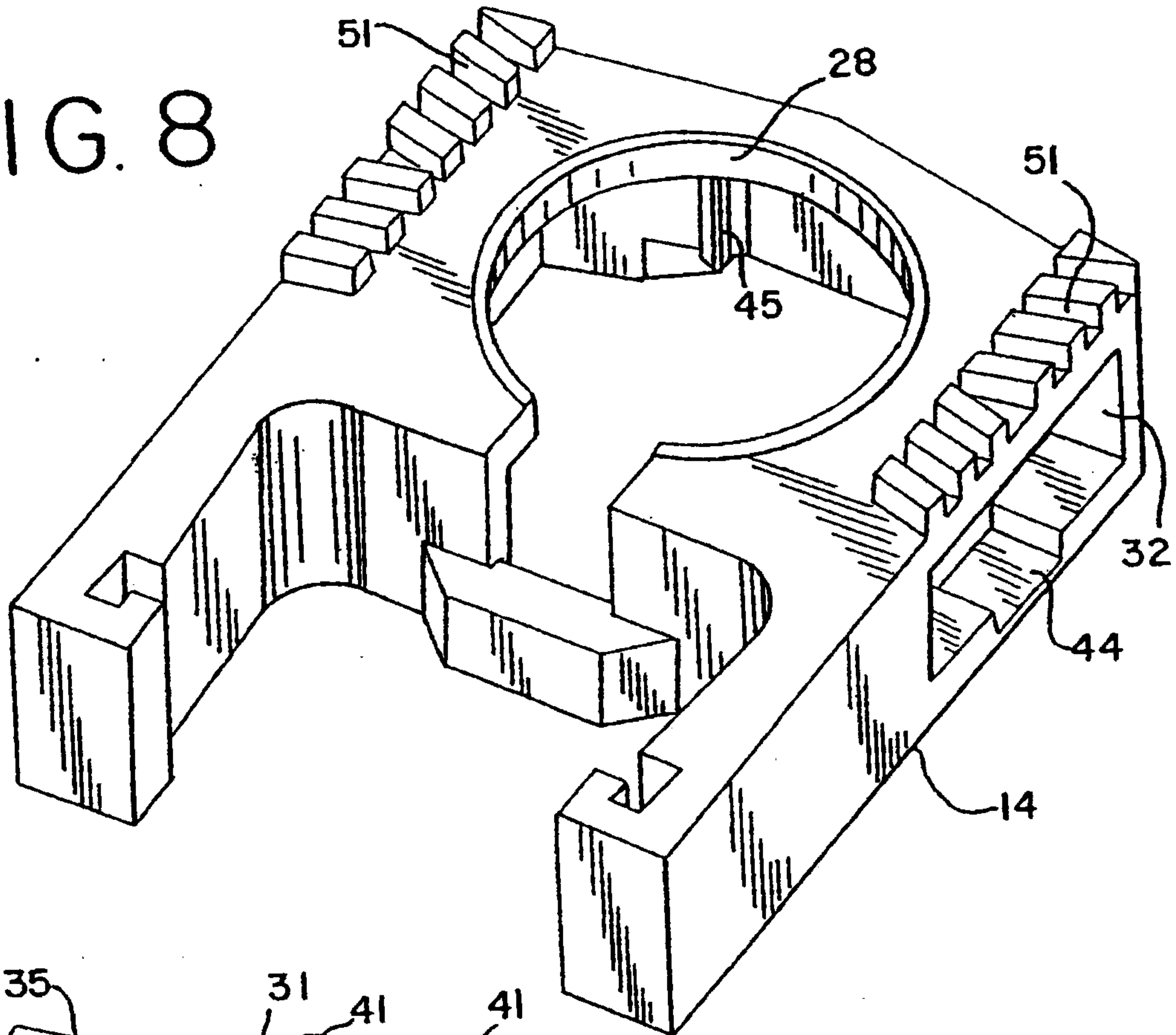


FIG. 9

FIG. 10

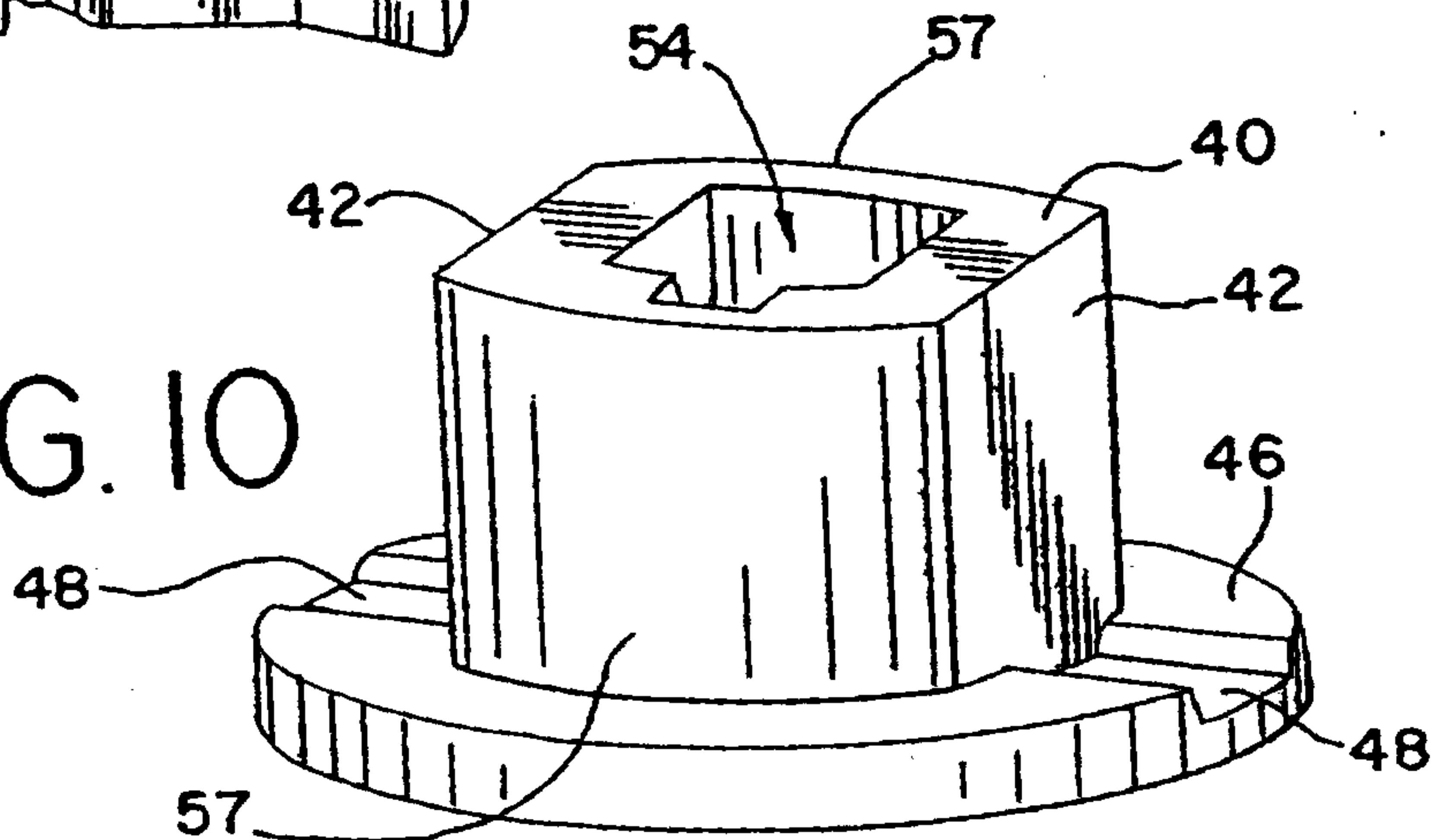


FIG. II

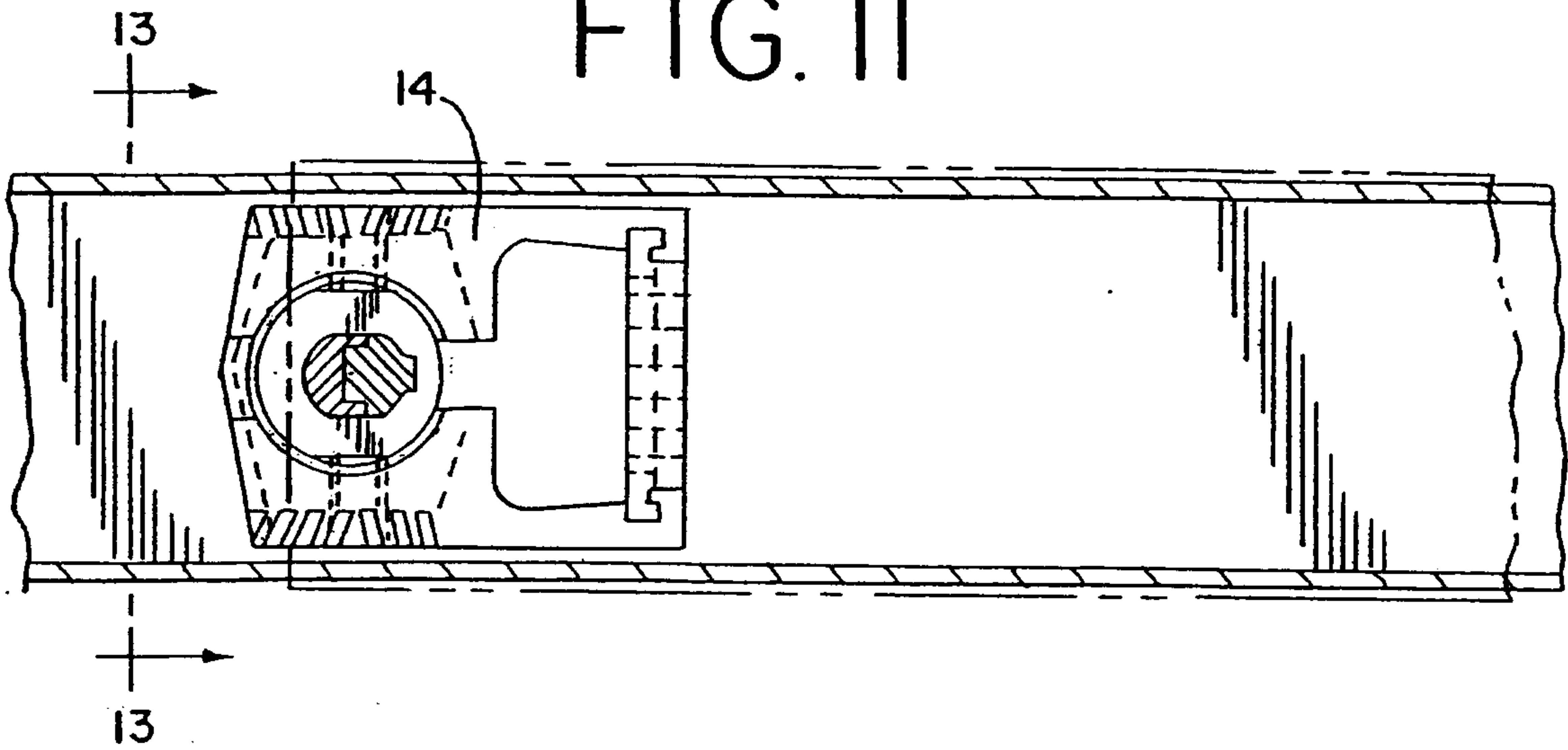


FIG. 12

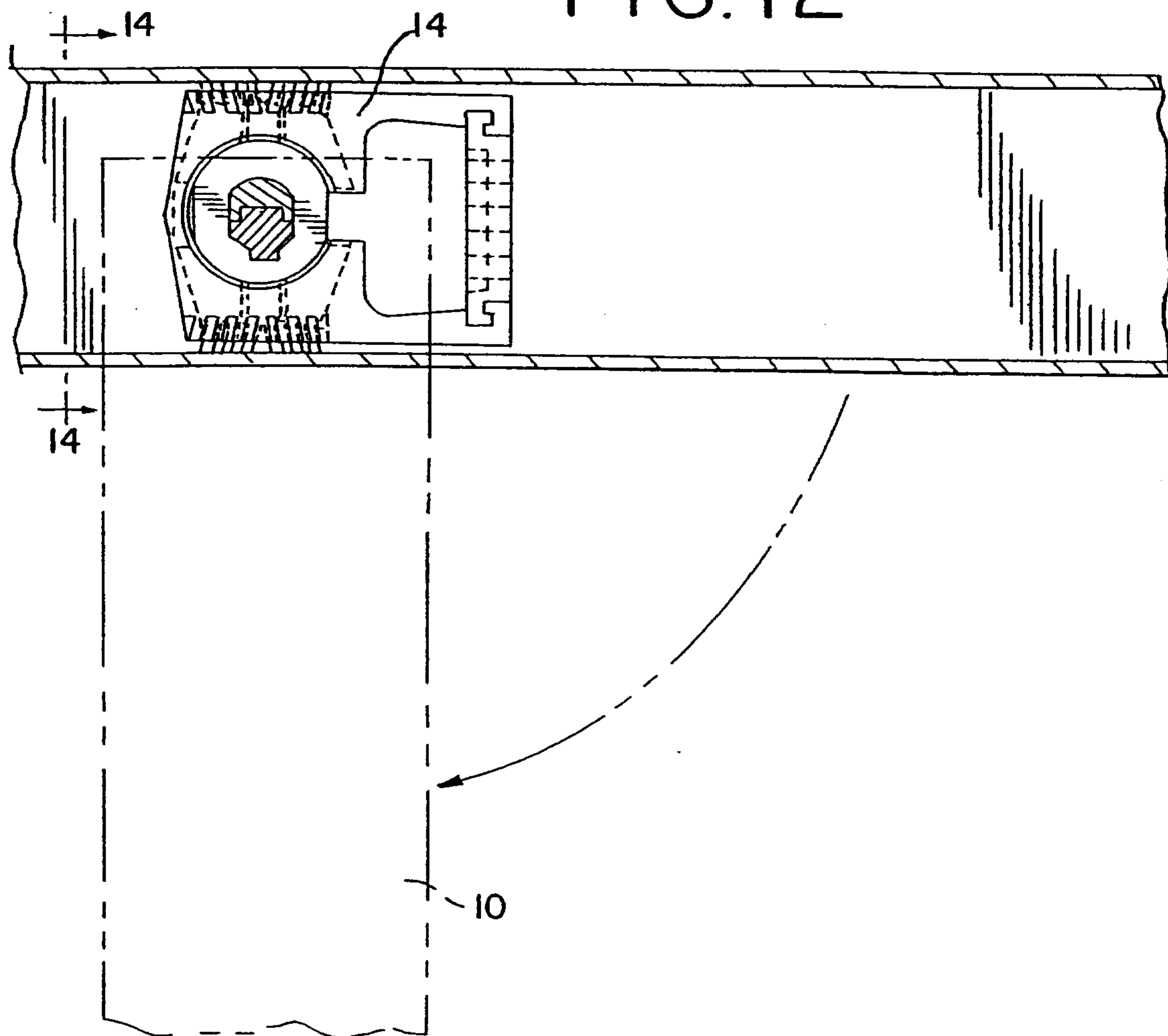


FIG. 13

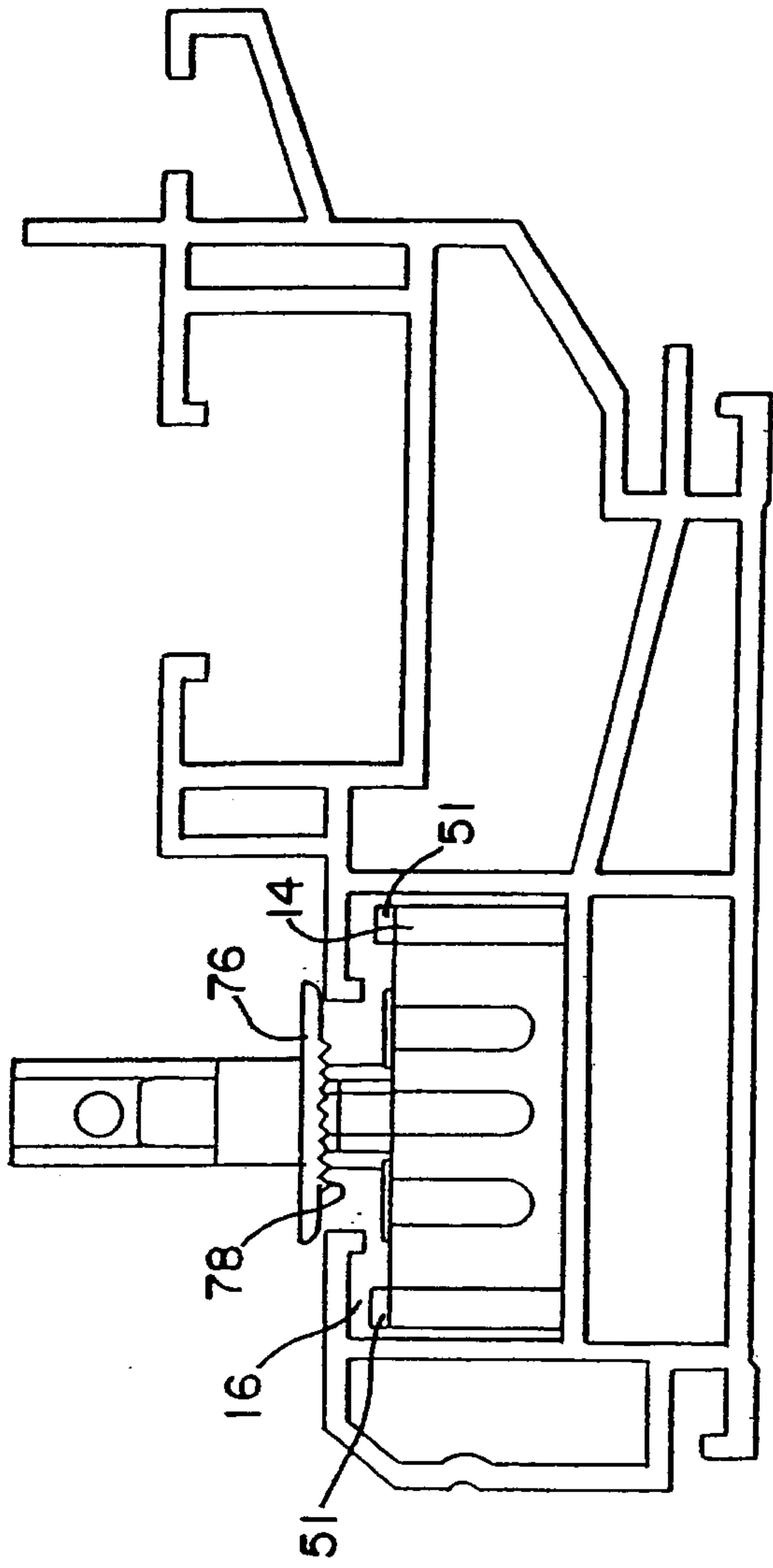


FIG. 14

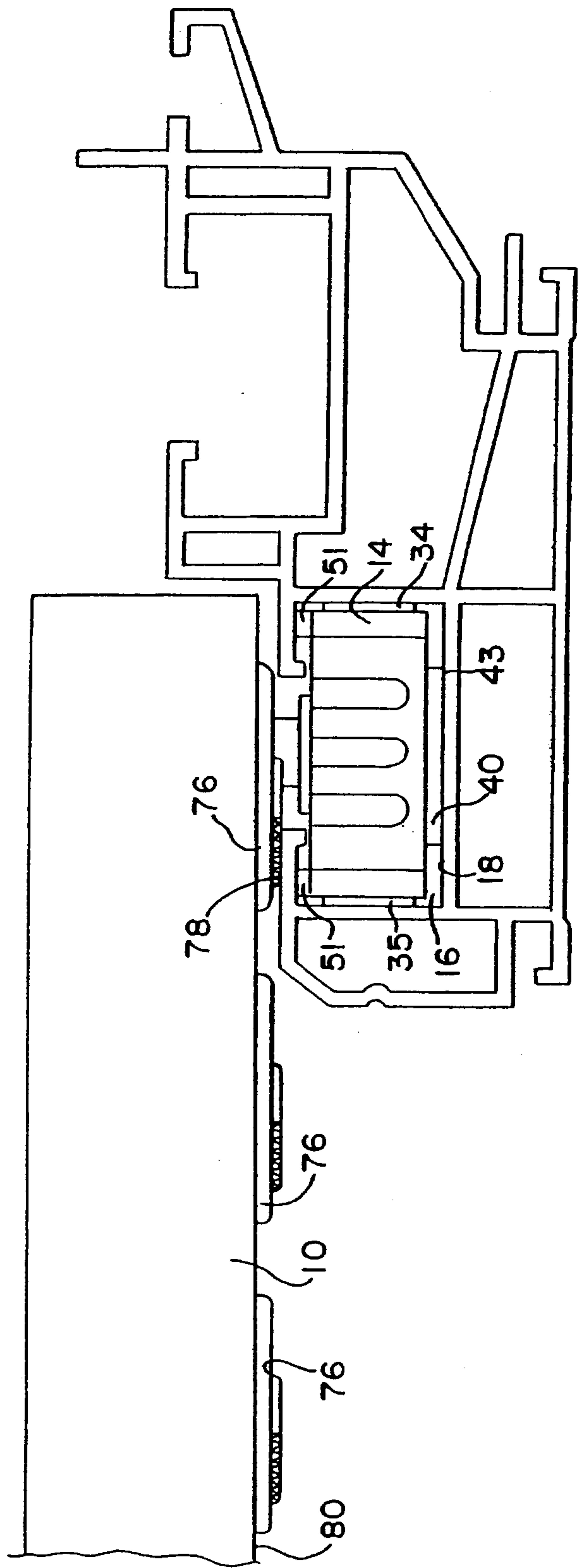


FIG. 15

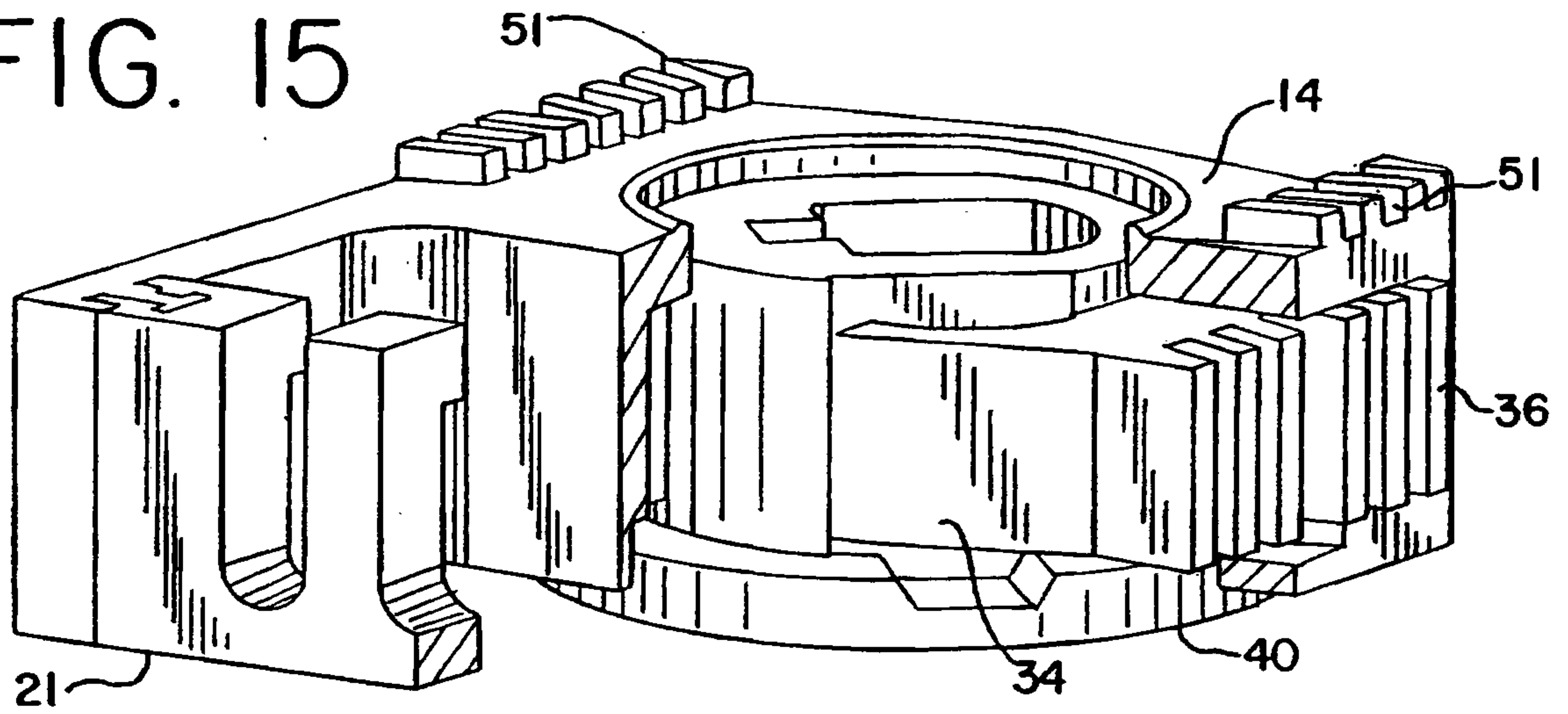


FIG. 16

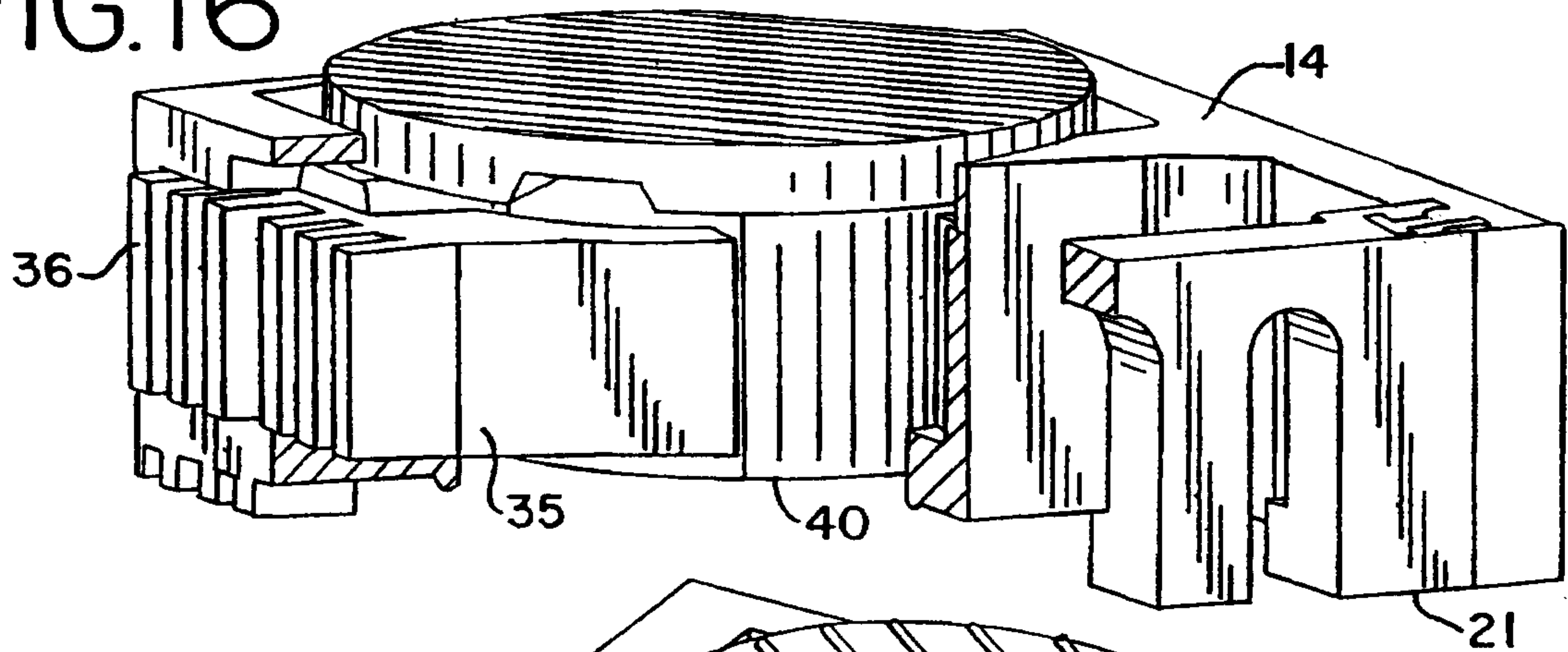


FIG. 17

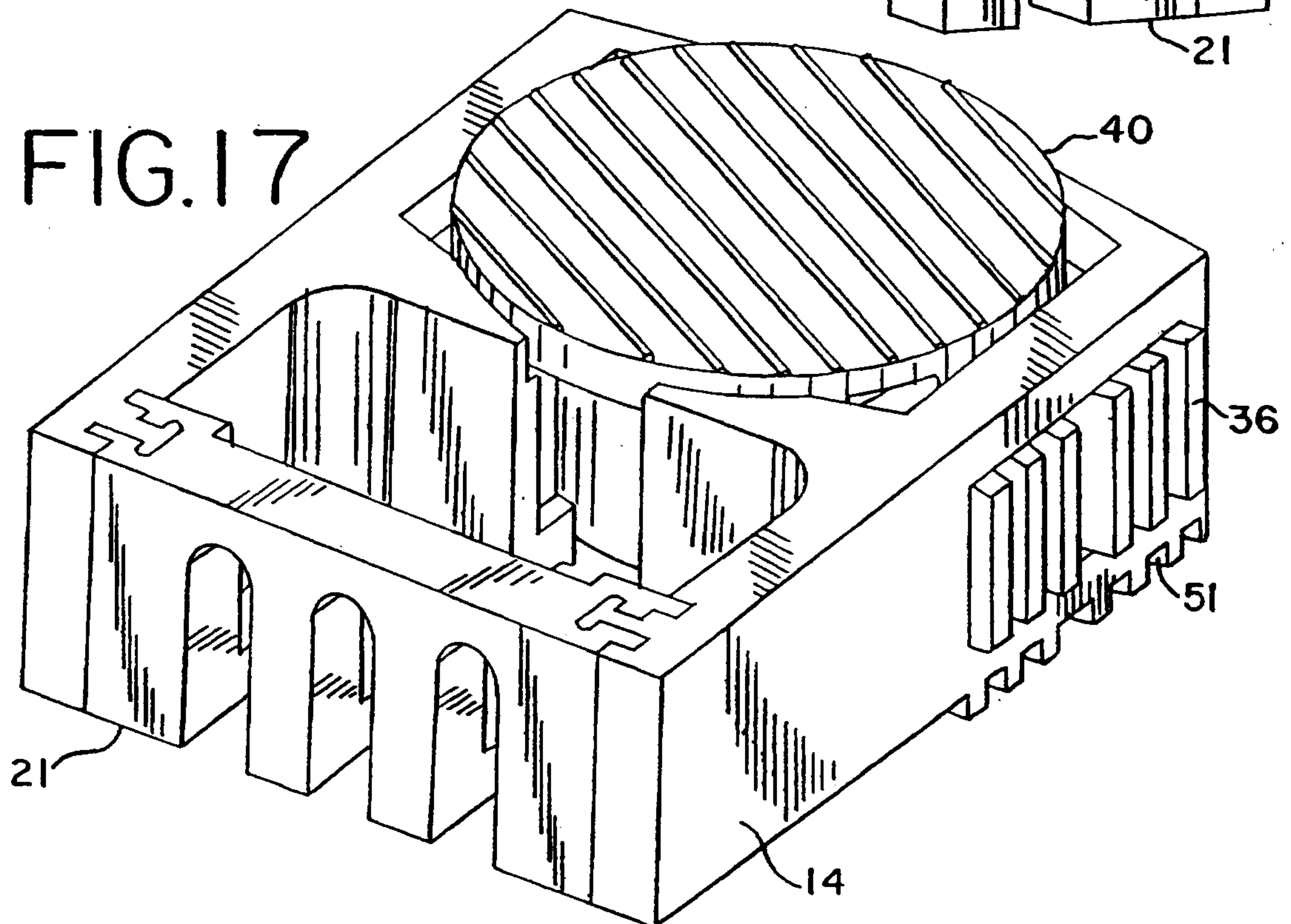


FIG. 18

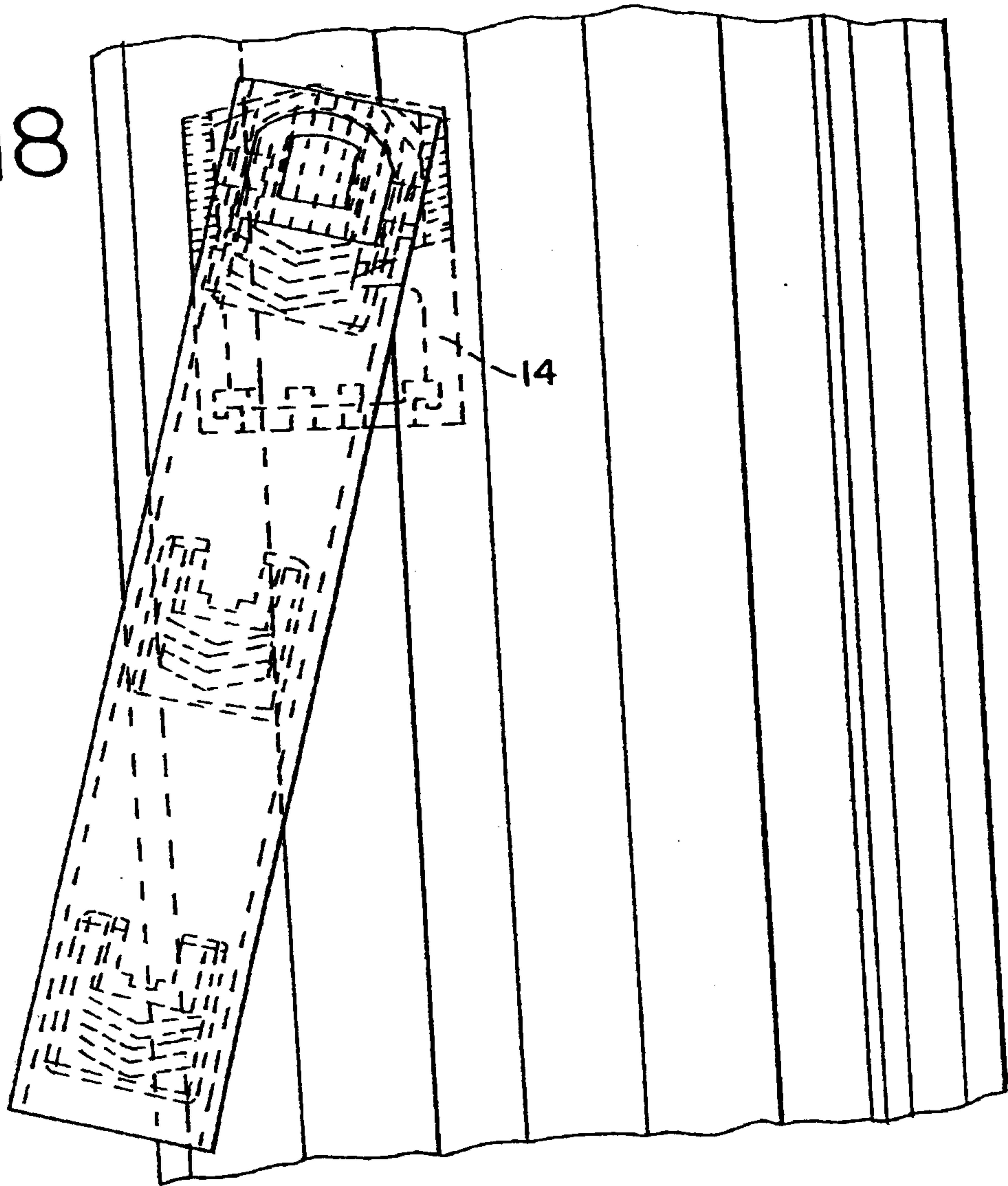


FIG. 19

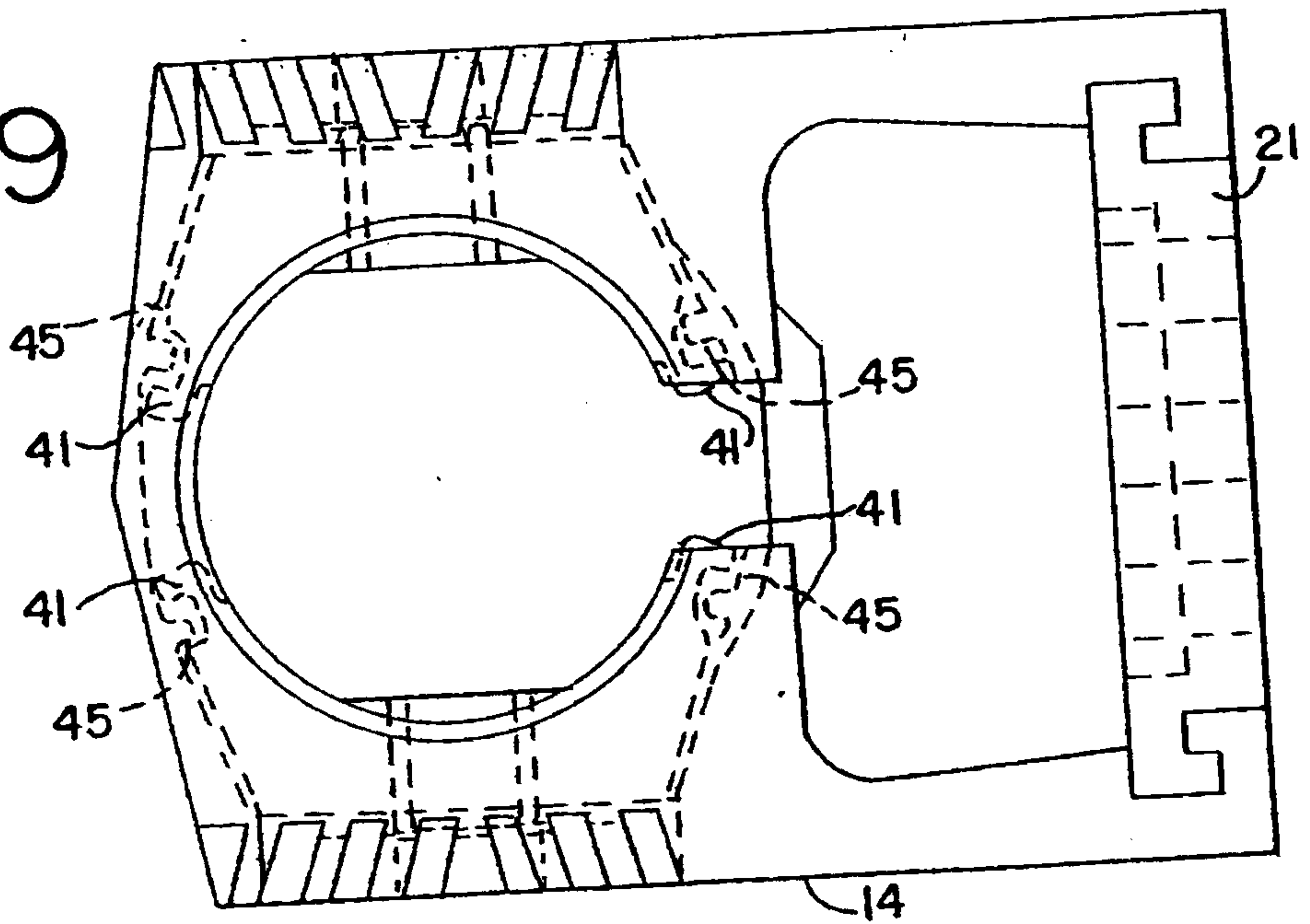


FIG. 20

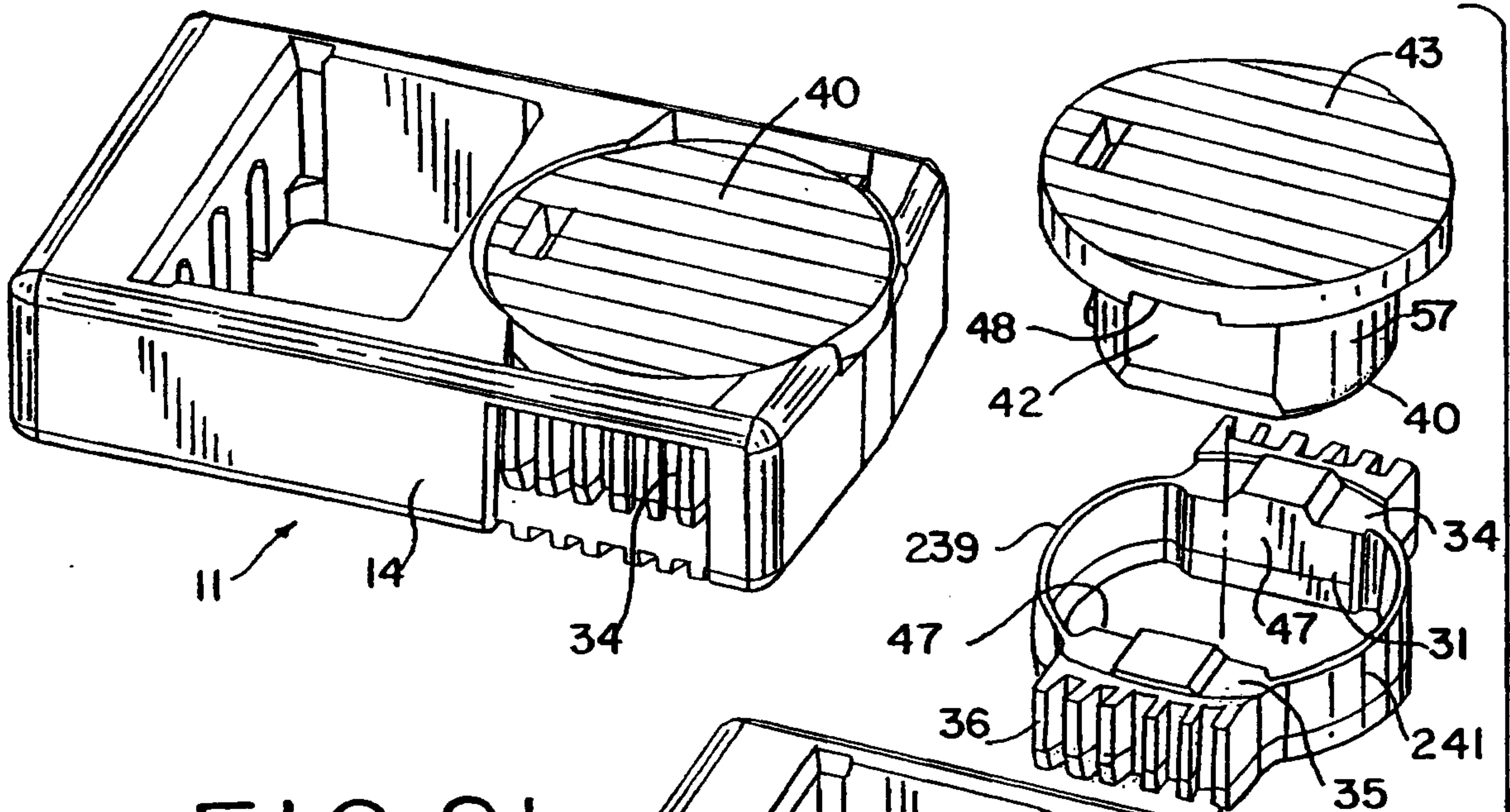


FIG. 21

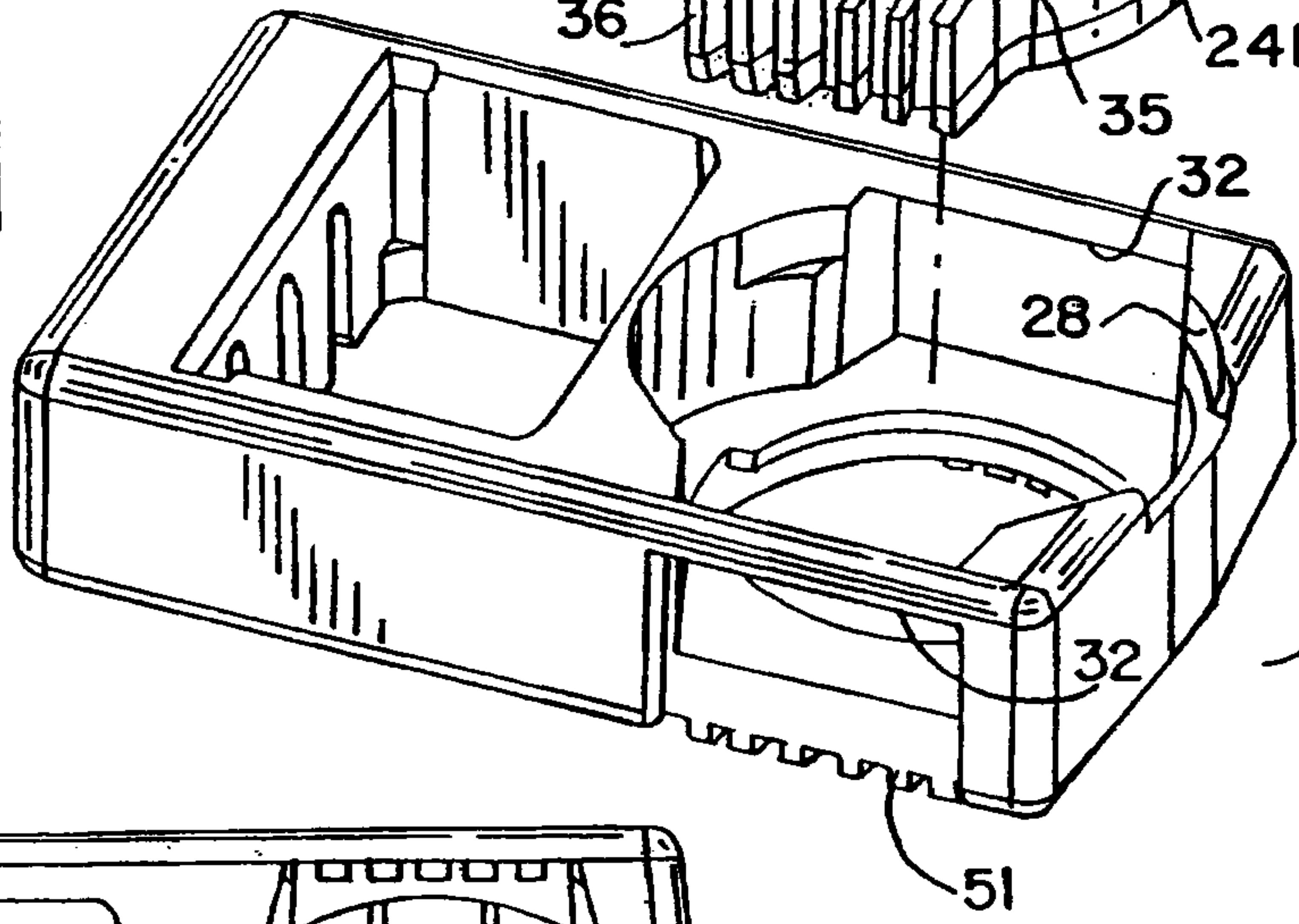


FIG. 22

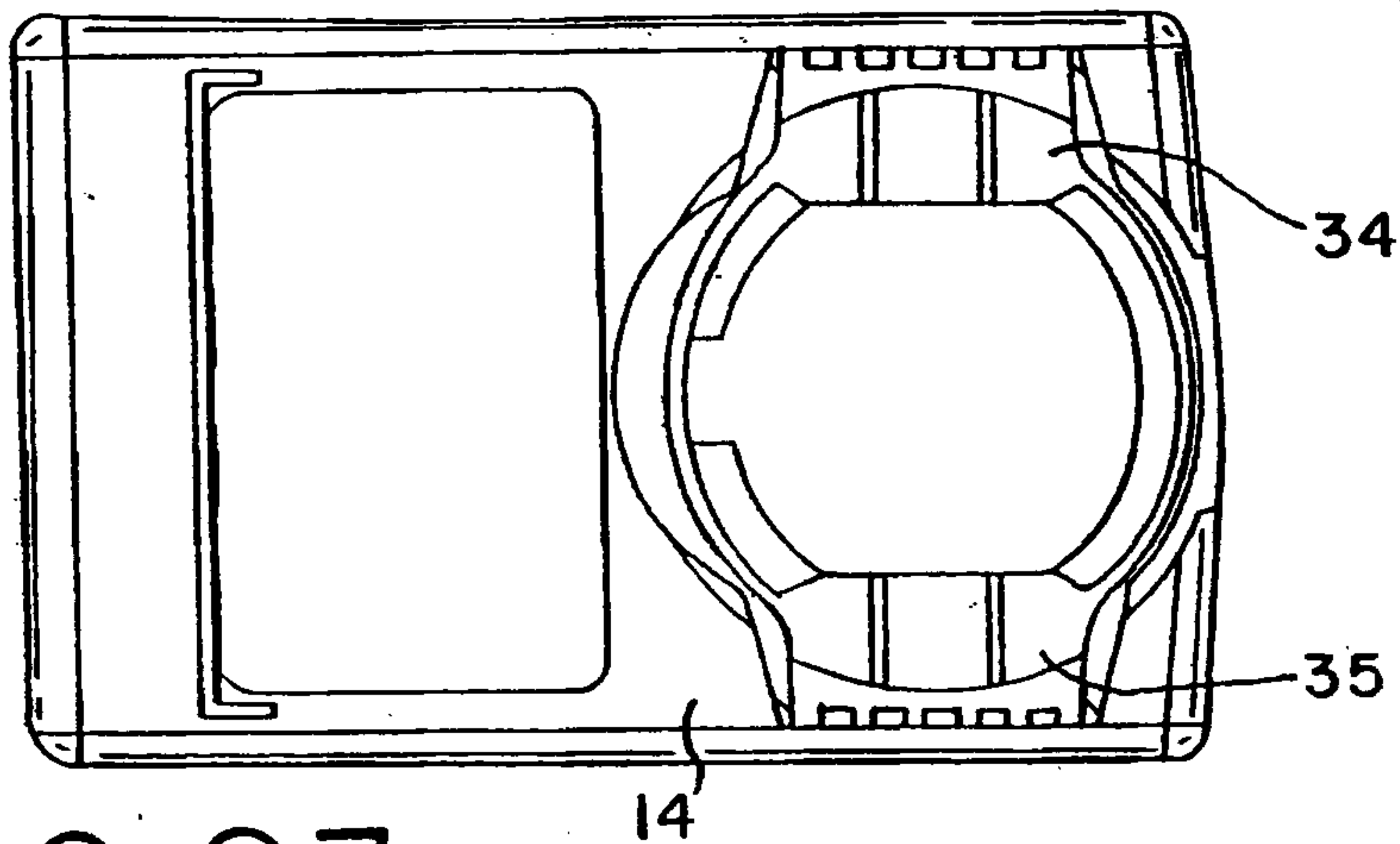


FIG. 23

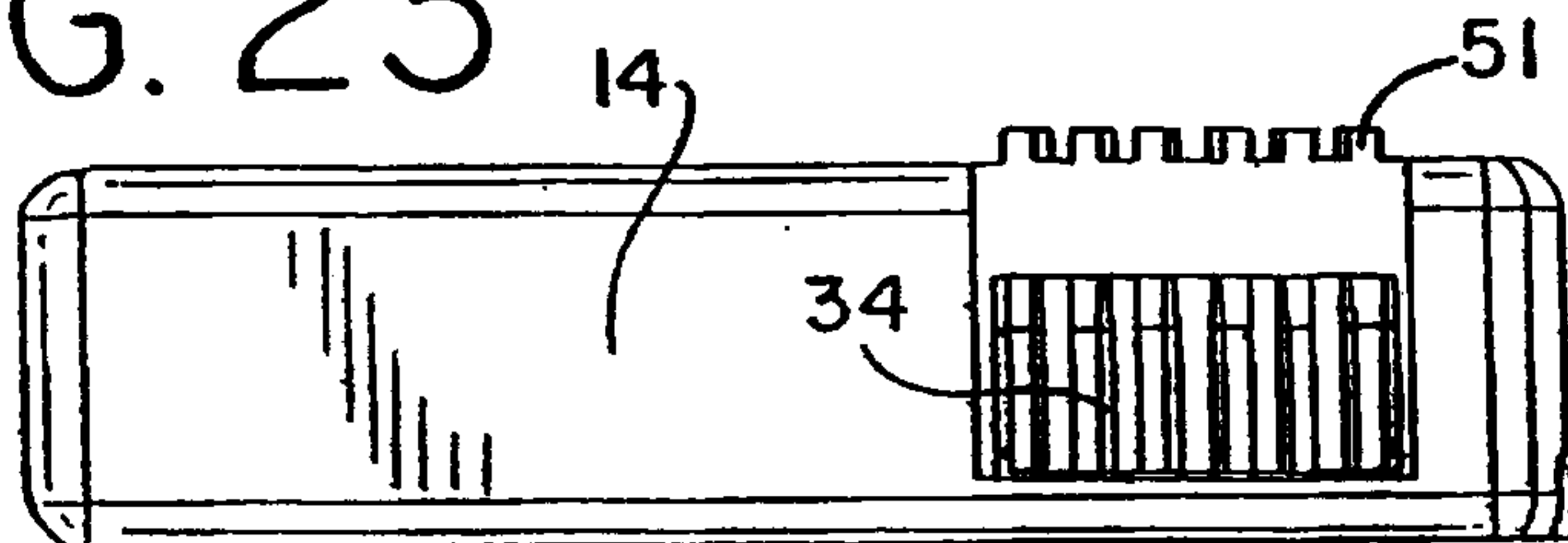


FIG. 24

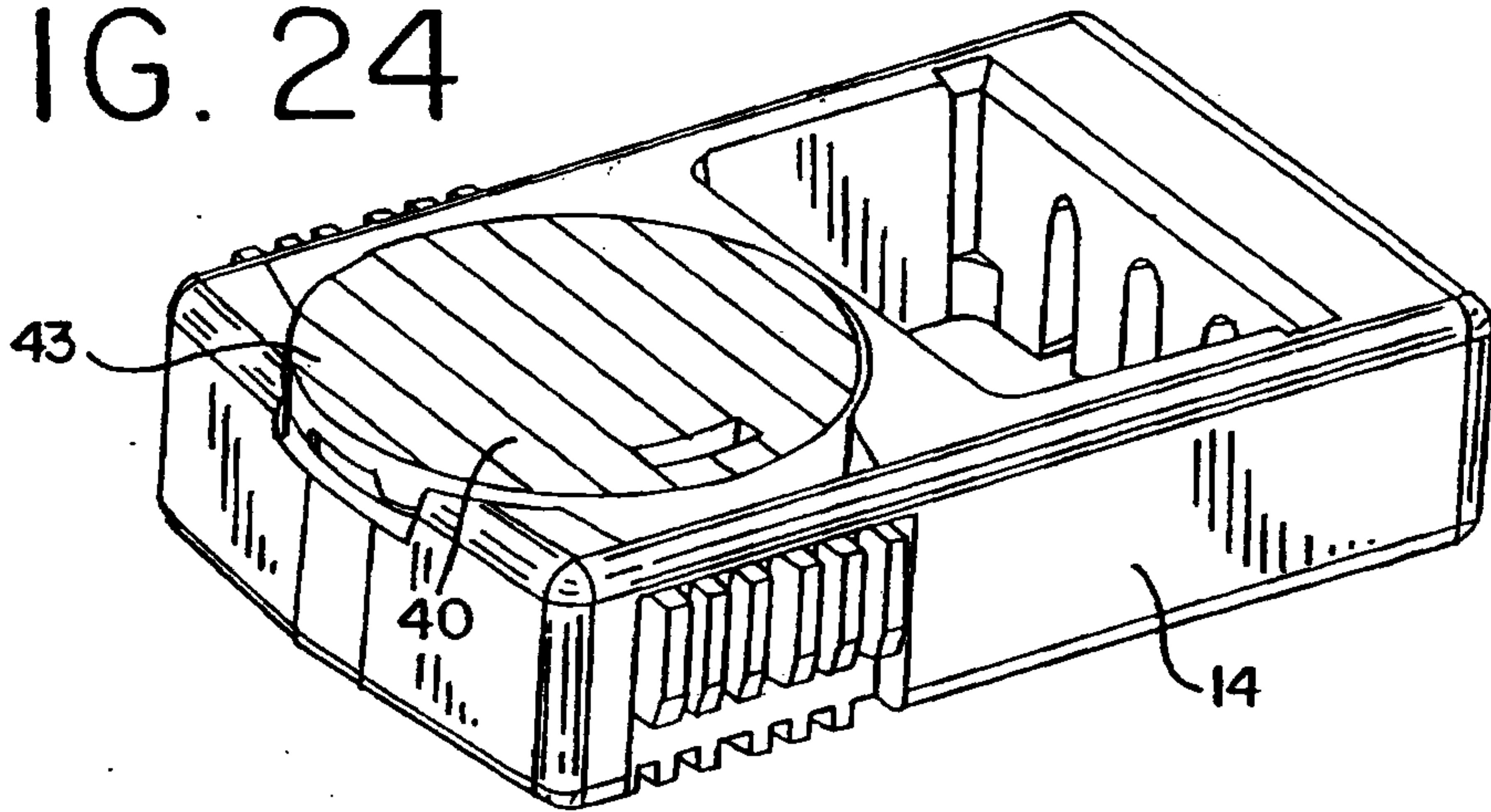


FIG. 25

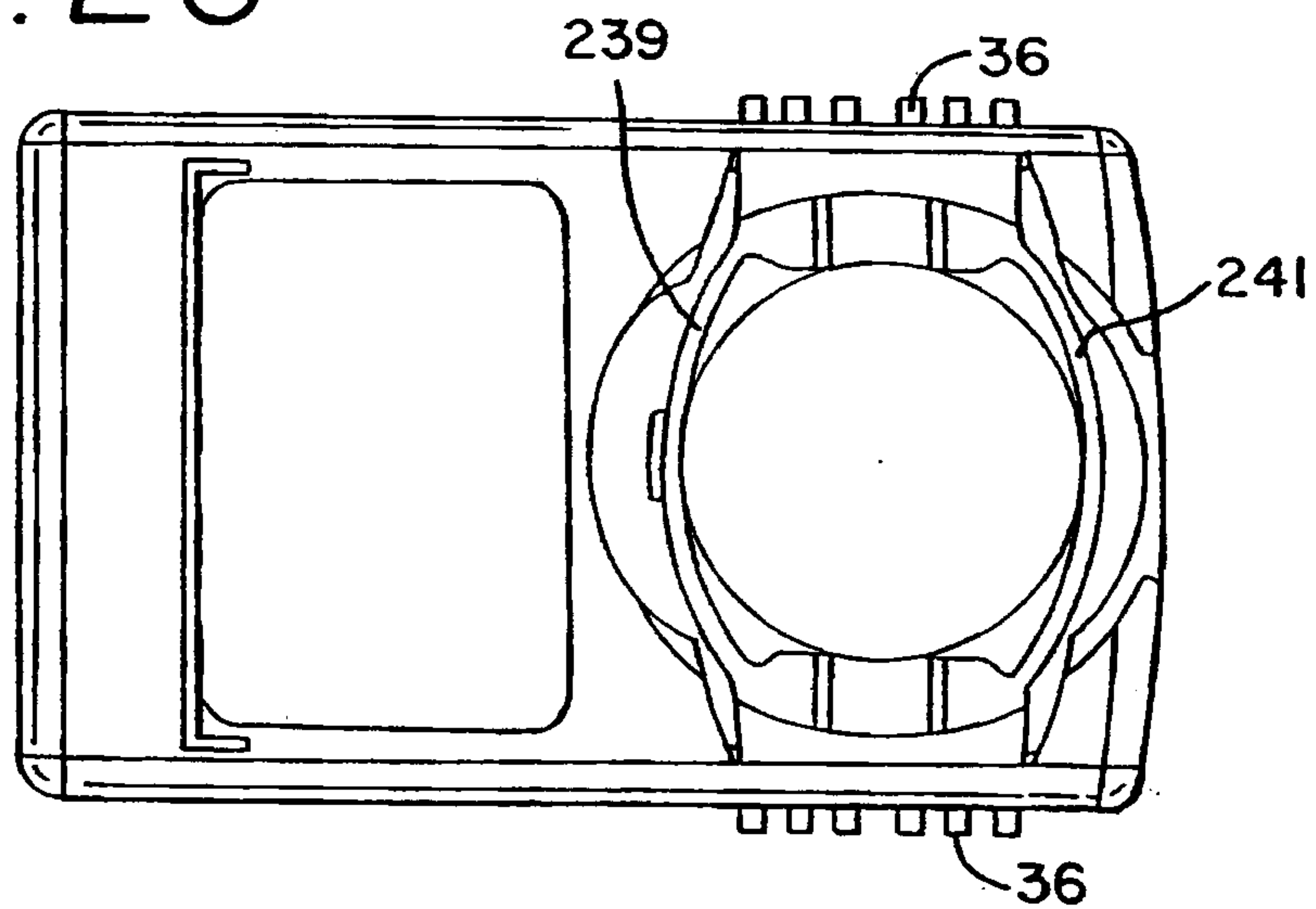


FIG. 26

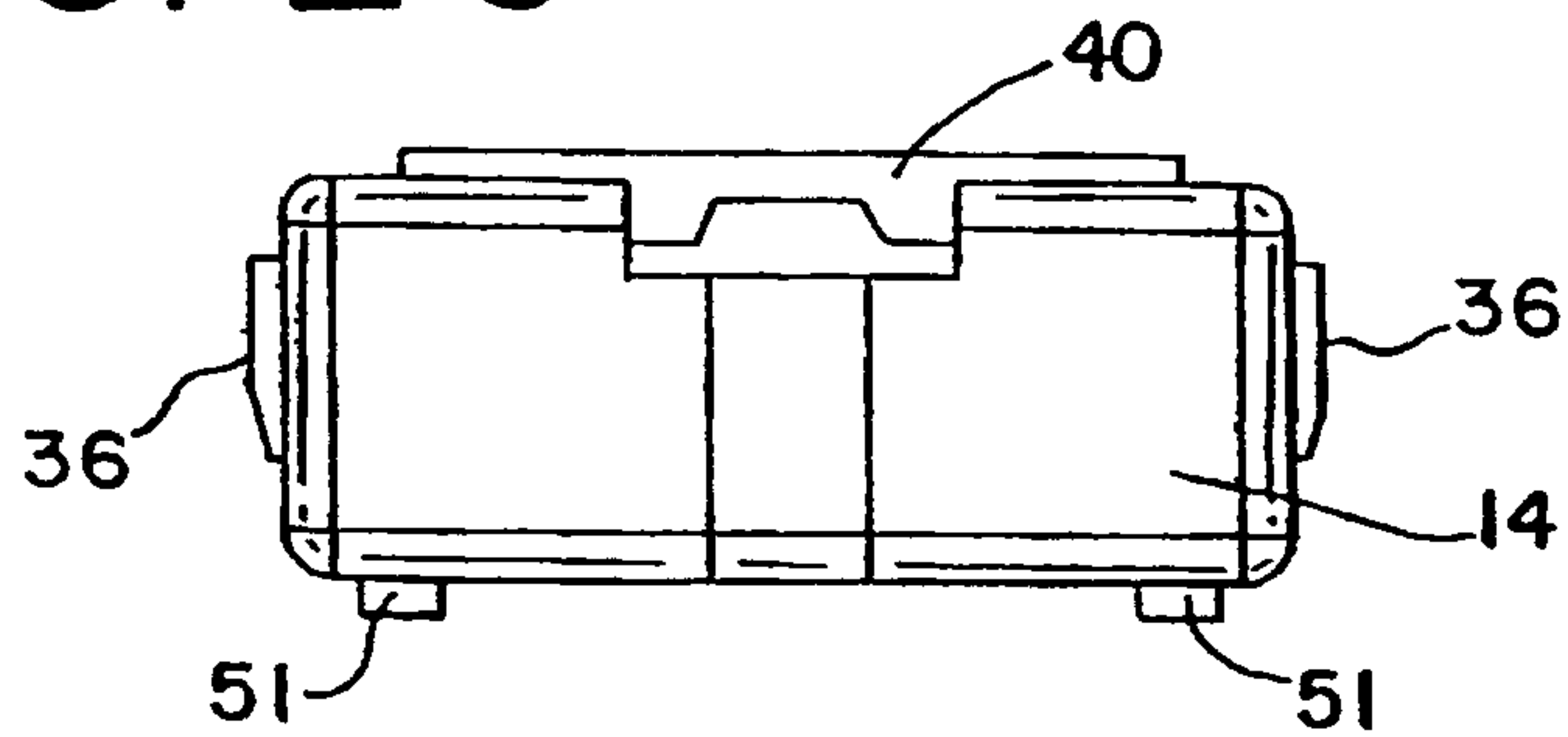


FIG. 27

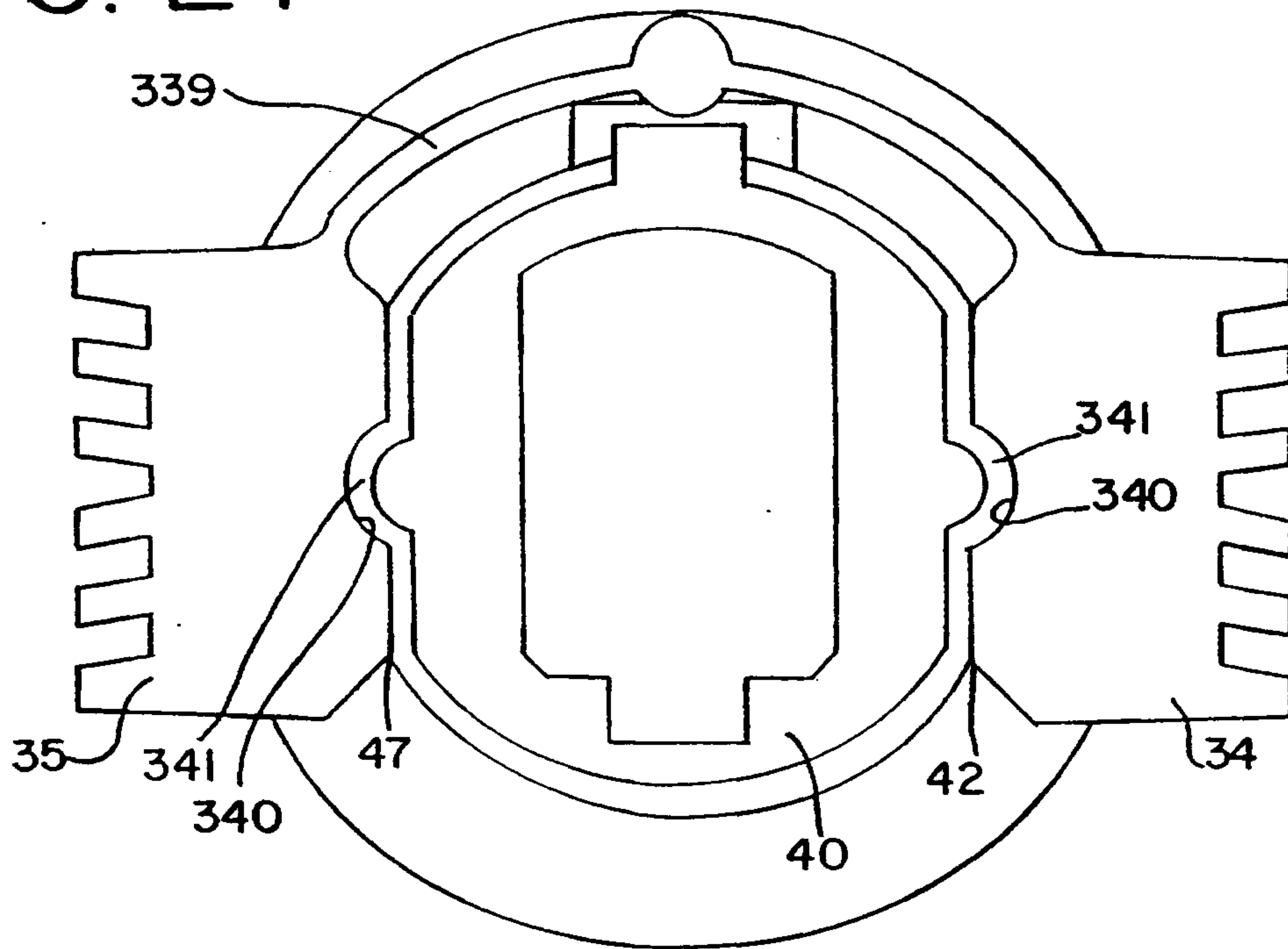


FIG. 28

