

**United States Patent** [19]

**Knutson**

[11] **Patent Number: Des. 292,690**

[45] **Date of Patent: \*\* Nov. 10, 1987**

[54] **SPARE TIRE MOUNTING BRACKET**

[56] **References Cited**

**U.S. PATENT DOCUMENTS**

[76] **Inventor: Ken M. Knutson, 2906 De Schepper Dr., Grand Rapids, Minn. 55744**

D. 243,839 3/1977 Driscoll ..... D12/202  
4,225,066 9/1980 Barr ..... 70/259  
4,294,088 10/1981 Barr ..... 224/42.25

[\*\*] **Term: 14 Years**

*Primary Examiner*—James M. Gandy  
*Attorney, Agent, or Firm*—Don E. Ferrell

[21] **Appl. No.: 704,044**

[57] **CLAIM**

The ornamental design for a spare tire mounting bracket, as shown.

[22] **Filed: Feb. 21, 1985**

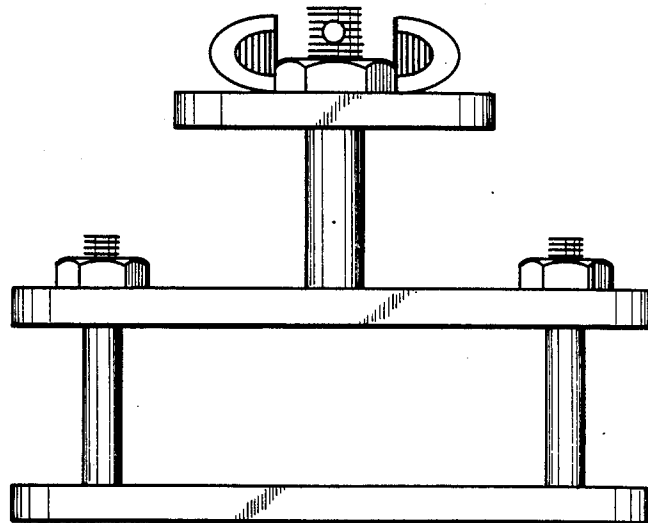
**DESCRIPTION**

[52] **U.S. Cl. .... D12/202; D8/349; D8/354**

FIG. 1 is a side elevation view of a spare tire mounting bracket showing my new design;

[58] **Field of Search .... D12/202; D8/349, 354, D8/373, 394; 296/37.2; 224/42.06, 42.12, 42.21, 42.24-42.26; 248/505; 70/259, 229**

FIG. 2 is a top plan view thereof;  
FIG. 3 is a bottom plan view thereof; and  
FIG. 4 is an end elevation view thereof.



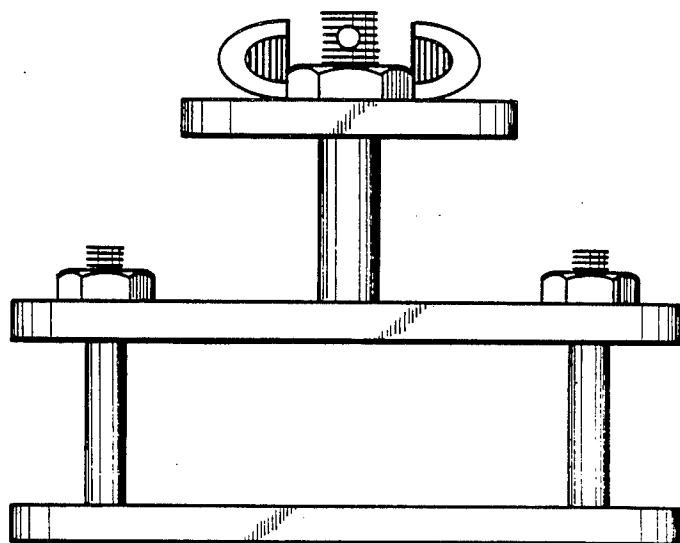


FIG 1

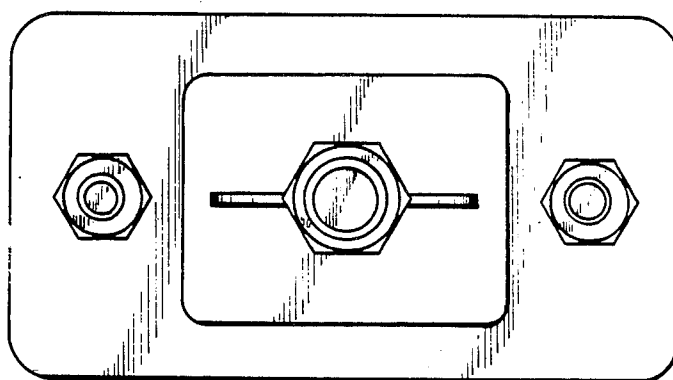


FIG 2

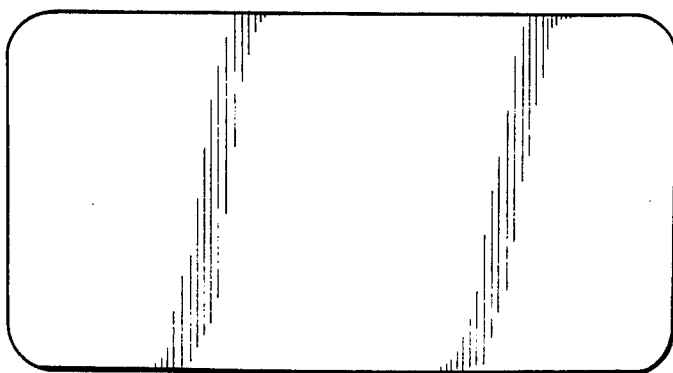


FIG 3

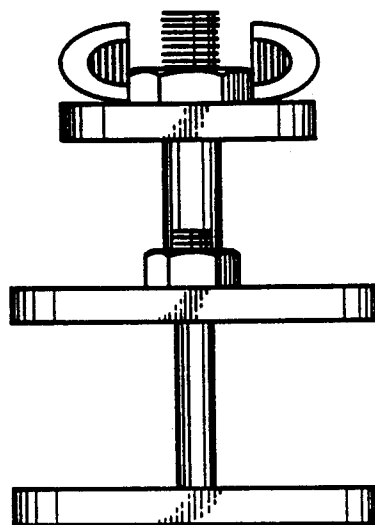


Fig. 4