



US00D334076S

United States Patent [19]

[11] Patent Number: **Des. 334,076**

Dieperink et al.

[45] Date of Patent: **** Mar. 16, 1993**

[54] LUMINAIRE

[56] References Cited

[75] Inventors: **Menno Dieperink, Amsterdam;**
Stefanus F. W. Joosten, Eindhoven,
both of Netherlands

U.S. PATENT DOCUMENTS

| | | | |
|------------|---------|--------------------|-----------|
| D. 193,575 | 9/1962 | Blitzer | D26/76 |
| D. 292,026 | 9/1987 | Krol | D26/77 |
| D. 301,278 | 5/1989 | Hughes et al. | D26/78 |
| 2,647,985 | 8/1953 | Biller | D26/74 X |
| 2,963,251 | 12/1960 | Fuss | 362/404 X |

[73] Assignee: **U.S. Philips Corporation, New York,**
N.Y.

Primary Examiner—Susan J. Lucas
Attorney, Agent, or Firm—Jack E. Haken

[**] Term: **14 Years**

[57] CLAIM

The ornamental design for a luminaire, as shown.

[21] Appl. No.: **506,660**

DESCRIPTION

[22] Filed: **Apr. 9, 1990**

FIG. 1 is a bottom perspective view of a luminaire showing our new design;

[30] Foreign Application Priority Data

Oct. 30, 1989 [WO] World Int. Prop. O. ... DM/014.914

FIG. 2 is a front elevational view thereof;

FIG. 3 is a rear elevational view thereof;

FIG. 4 is a left side elevational view thereof;

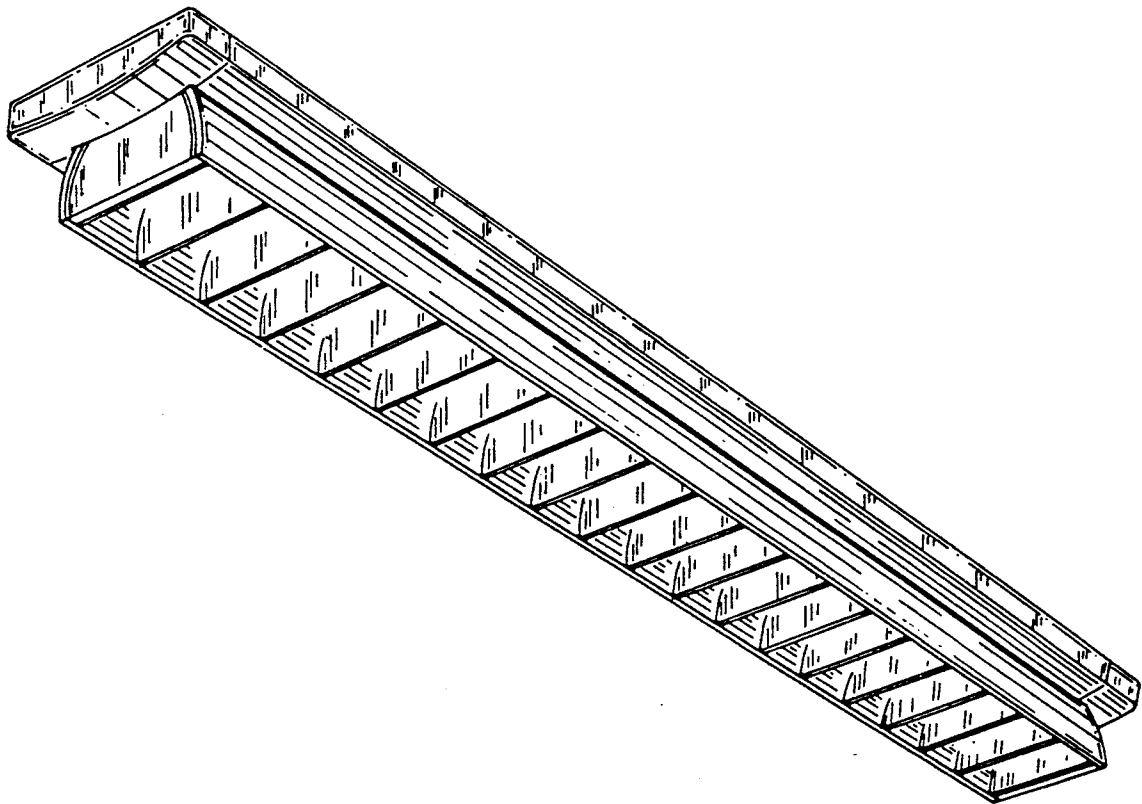
FIG. 5 is a right side elevational view thereof;

FIG. 6 is a top plan view thereof; and,

FIG. 7 is a bottom plan view thereof.

[52] U.S. Cl. **D26/77**

[58] Field of Search **D26/72-92;**
362/147, 404, 432, 217, 222, 223, 362



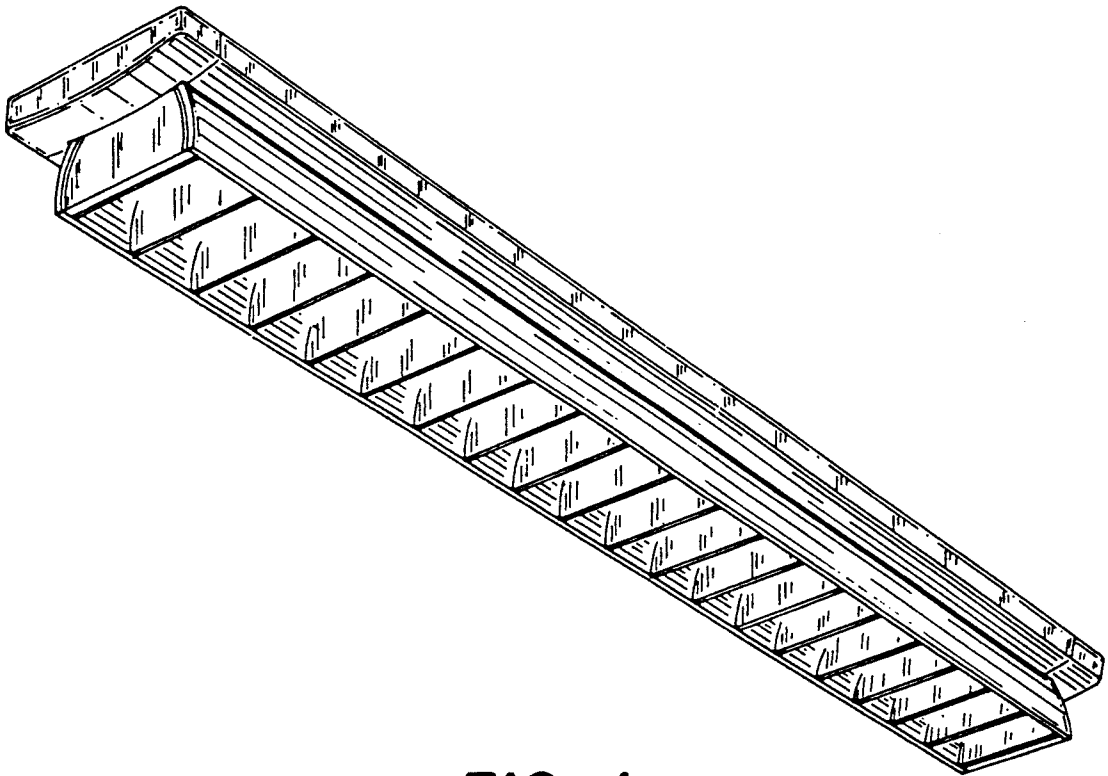


FIG. 1

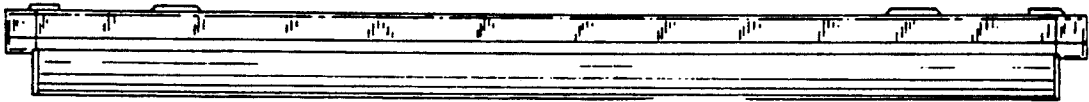


FIG. 2

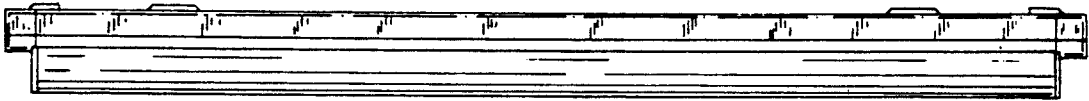


FIG. 3



FIG. 4



FIG. 5

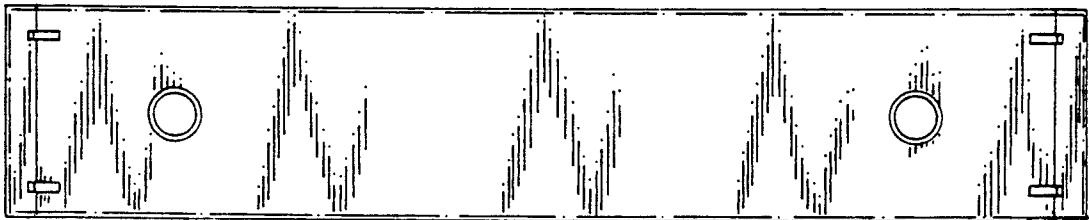


FIG. 6

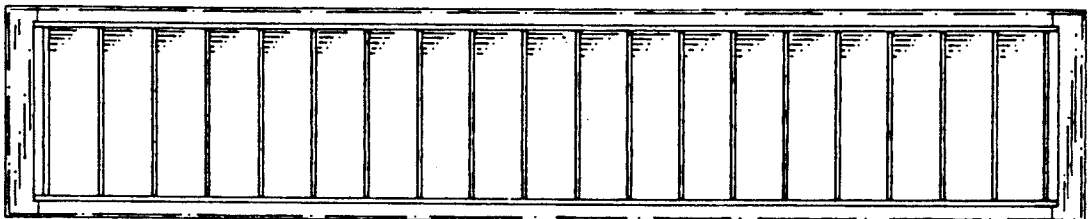


FIG. 7