



US00D468235S

(12) **United States Design Patent**
Yamazaki

(10) **Patent No.:** **US D468,235 S**

(45) **Date of Patent:** **** Jan. 7, 2003**

- (54) **BALL TOY**
- (75) Inventor: **Tomohiro Yamazaki, Katsushika-ku (JP)**
- (73) Assignee: **Tomy Company, Ltd., Tokyo (JP)**
- (**) Term: **14 Years**
- (21) Appl. No.: **29/142,013**
- (22) Filed: **May 18, 2001**
- (30) **Foreign Application Priority Data**
Nov. 20, 2000 (JP) 2000-033140
- (51) **LOC (7) Cl.** **21-01**
- (52) **U.S. Cl.** **D11/398; D11/406; D11/713; D11/714**
- (58) **Field of Search** **D21/398, 406, D21/713, 714; 473/596; 446/397, 491**
- (56) **References Cited**
U.S. PATENT DOCUMENTS
D61,805 S * 1/1923 Griffiths D21/714
2,115,926 A * 5/1938 Hatton 473/596

D142,394 S	*	9/1945	Fisk et al.	D21/714
D211,594 S	*	7/1968	Ostrander	D21/714
D241,869 S	*	10/1976	Hilprecht	D21/713
D274,070 S	*	5/1984	Ma	D21/714
D375,986 S	*	11/1996	Wilkinson et al.	D21/713
D414,534 S	*	9/1999	Takahashi	D21/713
6,093,077 A	*	7/2000	Spector	473/596
D433,084 S	*	10/2000	Hart	D21/713

* cited by examiner

Primary Examiner—Dominic Simone

(74) *Attorney, Agent, or Firm*—Olliff & Berridge, PLC

(57) **CLAIM**

The ornamental design for ball toy, as shown and described.

DESCRIPTION

FIG. 1 is a front perspective view of a ball toy;
 FIG. 2 is a front view thereof;
 FIG. 3 is a rear view thereof;
 FIG. 4 is a top view thereof;
 FIG. 5 is a bottom view thereof;
 FIG. 6 is a left-side view thereof; and,
 FIG. 7 is a right-side view thereof.

1 Claim, 3 Drawing Sheets



FIG. 1



FIG. 2

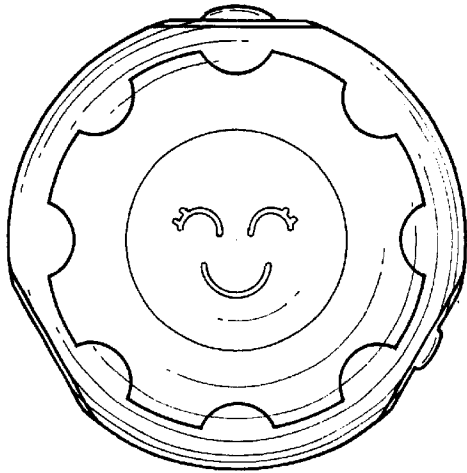


FIG. 3

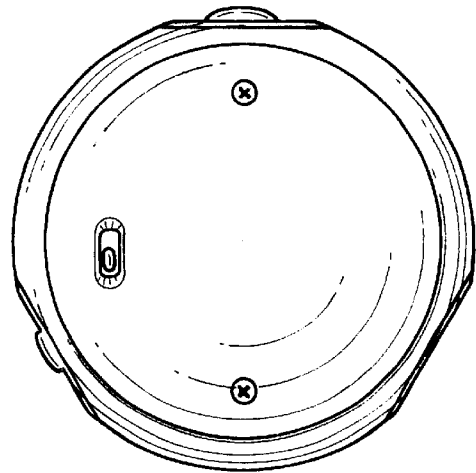


FIG. 4

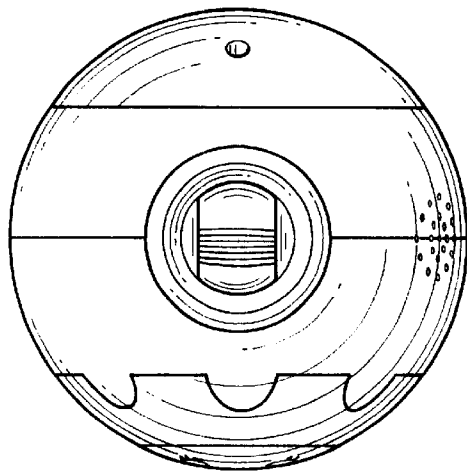


FIG. 5

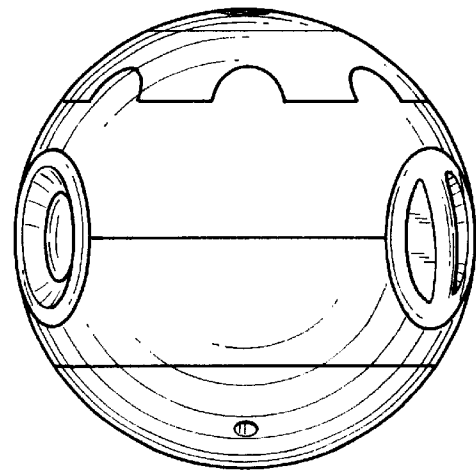


FIG. 6

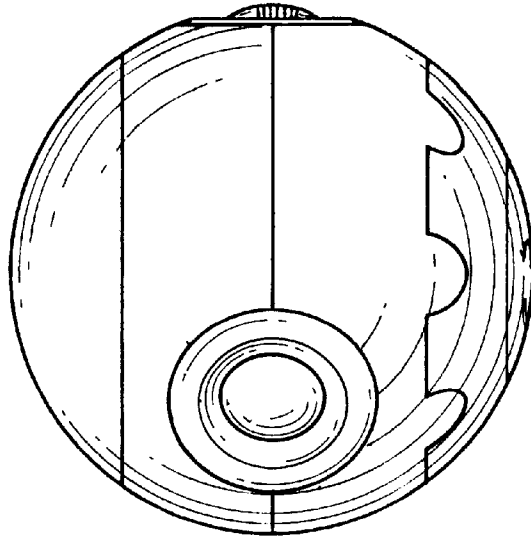


FIG. 7

