



US00D868262S

(12) **United States Design Patent**
Achleitner et al.

(10) **Patent No.:** **US D868,262 S**

(45) **Date of Patent:** **** Nov. 26, 2019**

- (54) **MEDICAL APPARATUS FOR IMAGING**
- (71) Applicant: **Siemens Healthcare GmbH**, Erlangen (DE)
- (72) Inventors: **Roman Achleitner**, Nuremberg (DE);
Sebastian Bulach, Heroldsberg (DE);
Peter Gall, Uttenreuth (DE)
- (73) Assignee: **Siemens Healthcare GmbH**, Erlangen (DE)

D738,505 S *	9/2015	Eberler	D24/158
D758,587 S *	6/2016	Eberler	D24/158
D785,180 S *	4/2017	Avranches	D24/158
D785,181 S *	4/2017	Grosshauser	D24/158
D785,182 S *	4/2017	Grosshauser	D24/158
D785,801 S *	5/2017	Grosshauser	D24/158
D794,798 S *	8/2017	Grosshauser	D24/158
D794,799 S *	8/2017	Achleitner	D24/158
D806,878 S *	1/2018	Chang	D24/158

* cited by examiner

Primary Examiner — Anhdao Doan

(74) *Attorney, Agent, or Firm* — Schiff Hardin LLP

(**) Term: **15 Years**

(21) Appl. No.: **29/648,328**

(22) Filed: **May 21, 2018**

(30) **Foreign Application Priority Data**

Nov. 22, 2017 (EM) 004517688

(51) **LOC (12) Cl.** **24-01**

(52) **U.S. Cl.**
USPC **D24/158**

(58) **Field of Classification Search**
USPC D24/107, 158-161, 185, 186, 187, 231
CPC .. A61B 6/03; A61B 6/035; A61B 5/05; A61B
5/055; A61N 5/01; A61N 5/10; A61N
5/1081; A61N 5/1084; A61N 2005/1054;
A61N 2005/1055; A61N 2005/1074
See application file for complete search history.

(56) **References Cited**

U.S. PATENT DOCUMENTS

D701,309 S *	3/2014	Ohmukai	D24/158
D715,945 S *	10/2014	Zhang	D24/159

(57) **CLAIM**

The ornamental design for a medical apparatus for imaging, as shown and described.

DESCRIPTION

FIG. 1 is a front elevational view of a medical apparatus for imaging showing our new design; FIG. 2 is a back elevational view thereof; FIG. 3 is a top plan view thereof; FIG. 4 is a bottom plan view thereof; FIG. 5 is a right side elevational view thereof; FIG. 6 is a left side elevational view thereof; and, FIG. 7 is a perspective view taken generally from the front, top, and right-hand side thereof. The broken lines shown in the drawings represent portions of the medical apparatus for imaging that form no part of the claimed design.

1 Claim, 7 Drawing Sheets

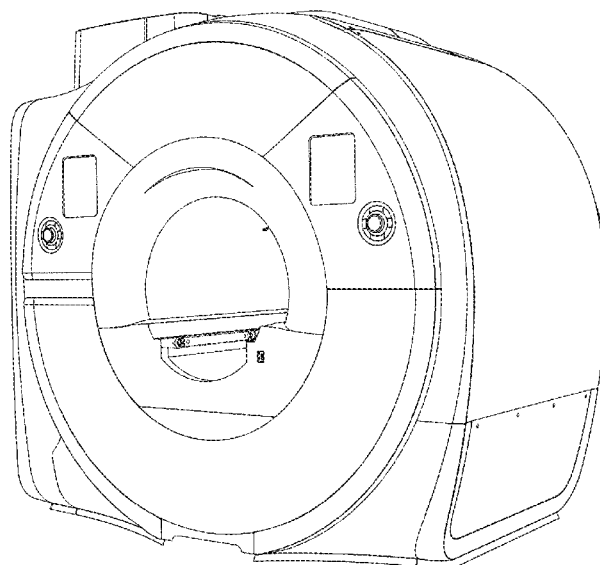


FIG. 1

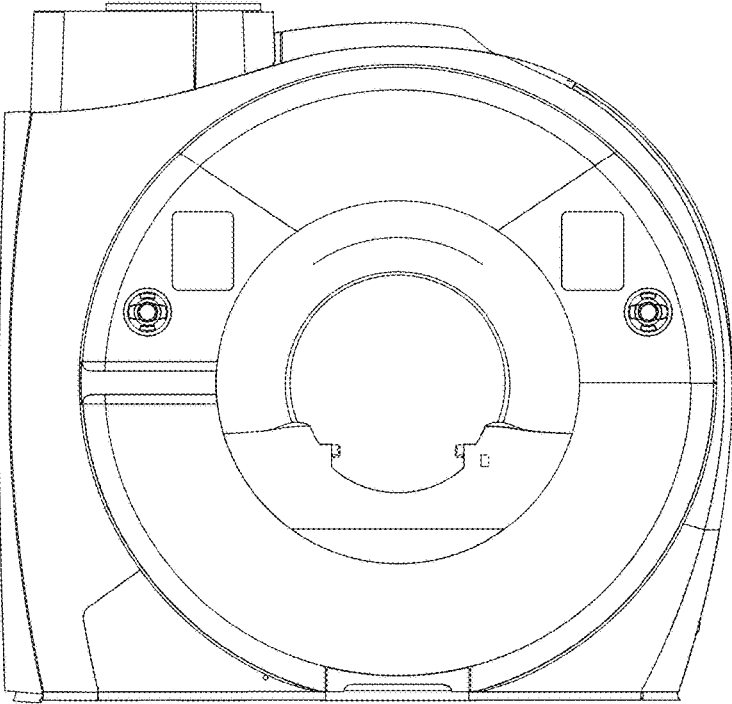


FIG. 2

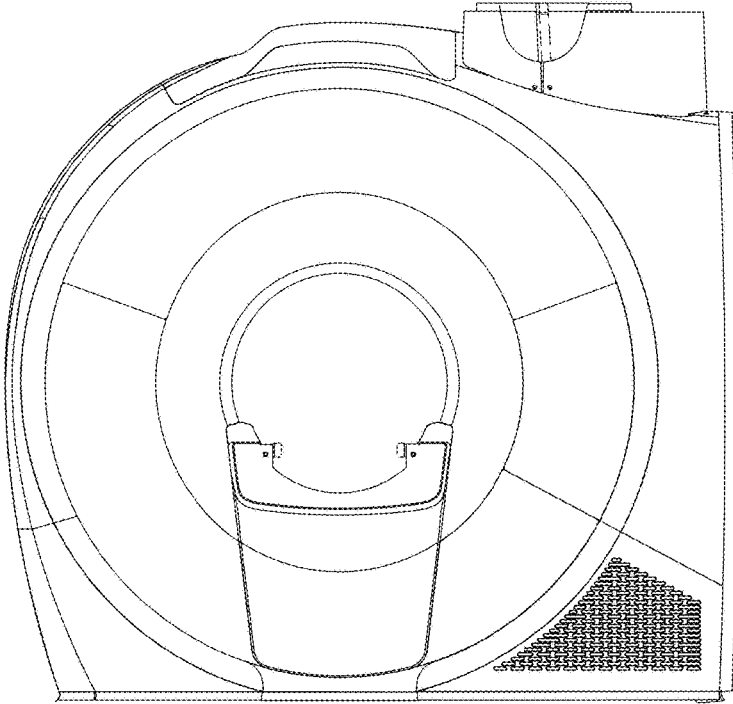


FIG. 3

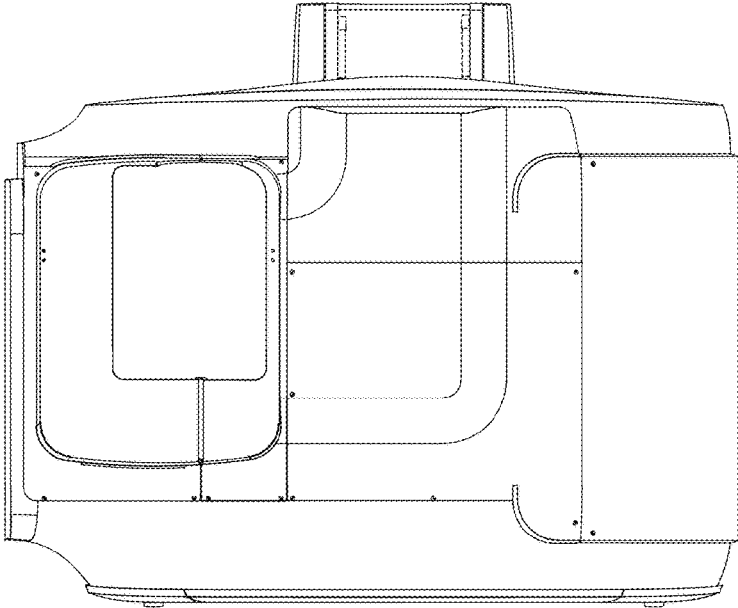


FIG. 4

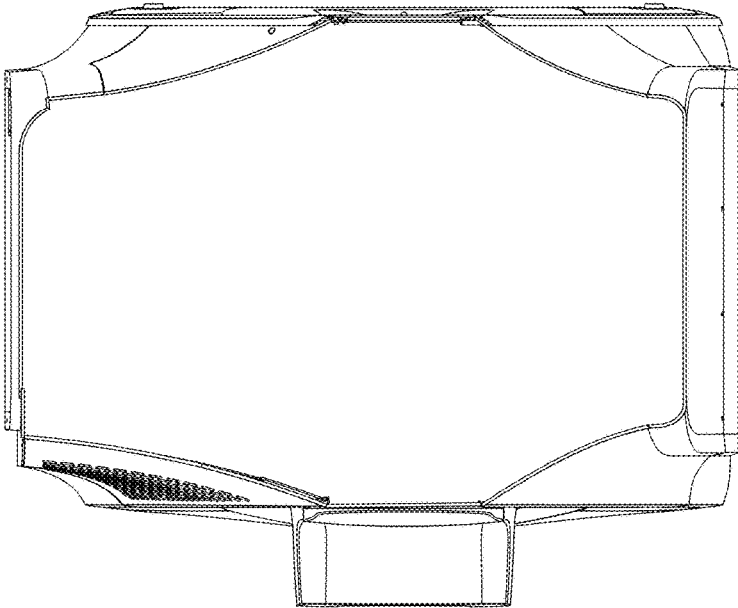


FIG. 5

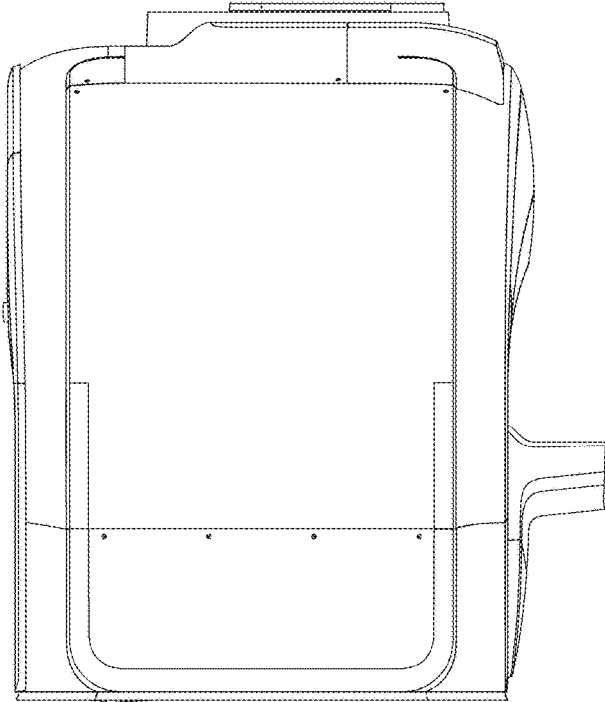


FIG. 6

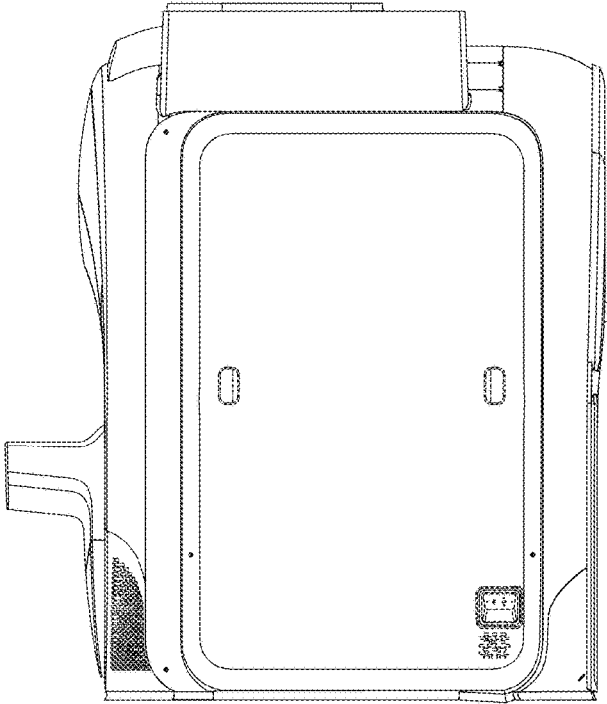


FIG. 7

