



- (51) International Patent Classification:
E02B 3/04 (2006.01) E02B 3/14 (2006.01)
E02B 3/06 (2006.01)
- (21) International Application Number: PCT/IB2014/059912
- (22) International Filing Date: 17 March 2014 (17.03.2014)
- (25) Filing Language: English
- (26) Publication Language: English
- (30) Priority Data: 61/800,367 15 March 2013 (15.03.2013) US
- (72) Inventor; and
- (71) Applicant : BARTKOWSKI, Michael [US/US]; 10132 Bittern Drive, Pensacola, Florida 32507 (US).
- (74) Agent: FLETCHER, Brian; The Fletcher Law Firm PLLC, 2121 Eisenhower Ave., Suite 200, Alexandria, Virginia 22314 (US).
- (81) Designated States (unless otherwise indicated, for every kind of national protection available): AE, AG, AL, AM, AO, AT, AU, AZ, BA, BB, BG, BH, BN, BR, BW, BY, BZ, CA, CH, CL, CN, CO, CR, CU, CZ, DE, DK, DM,

DO, DZ, EC, EE, EG, ES, FI, GB, GD, GE, GH, GM, GT, HN, HR, HU, ID, IL, IN, IR, IS, JP, KE, KG, KN, KP, KR, KZ, LA, LC, LK, LR, LS, LT, LU, LY, MA, MD, ME, MG, MK, MN, MW, MX, MY, MZ, NA, NG, NI, NO, NZ, OM, PA, PE, PG, PH, PL, PT, QA, RO, RS, RU, RW, SA, SC, SD, SE, SG, SK, SL, SM, ST, SV, SY, TH, TJ, TM, TN, TR, TT, TZ, UA, UG, US, UZ, VC, VN, ZA, ZM, ZW.

(84) Designated States (unless otherwise indicated, for every kind of regional protection available): ARIPO (BW, GH, GM, KE, LR, LS, MW, MZ, NA, RW, SD, SL, SZ, TZ, UG, ZM, ZW), Eurasian (AM, AZ, BY, KG, KZ, RU, TJ, TM), European (AL, AT, BE, BG, CH, CY, CZ, DE, DK, EE, ES, FI, FR, GB, GR, HR, HU, IE, IS, IT, LT, LU, LV, MC, MK, MT, NL, NO, PL, PT, RO, RS, SE, SI, SK, SM, TR), OAPI (BF, BJ, CF, CG, CI, CM, GA, GN, GQ, GW, KM, ML, MR, NE, SN, TD, TG).

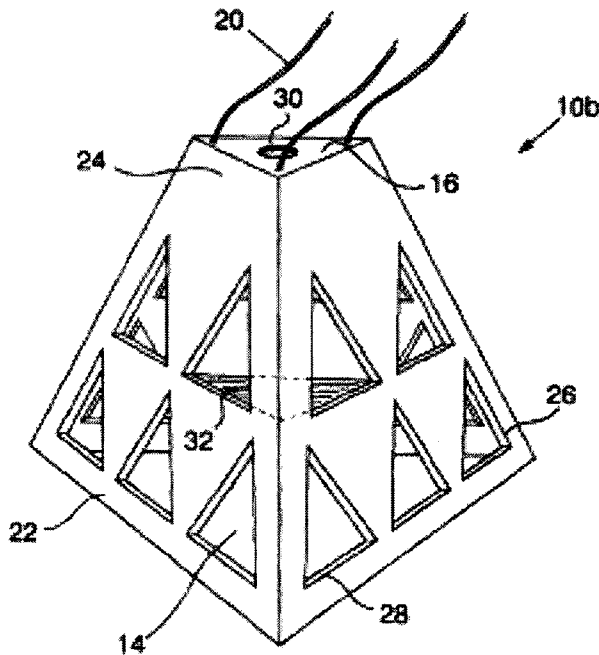
Declarations under Rule 4.17:

- as to applicant's entitlement to apply for and be granted a patent (Rule 4.17(ii))
- of inventorship (Rule 4.17(iv))

[Continued on next page]

(54) Title: ARTIFICIAL REEF

Fig. 2



(57) Abstract: An artificial reef provides a system that can inhibit coastal erosion, promote marine growth and offer shelter to marine life while being economically feasible and long-lasting. Various embodiments of the artificial reef unit devices and methods described herein can include three polygonal side walls, an enclosed top and an opened bottom, a base unit and corrugated walls.





Published:

— *with international search report (Art. 21(3))*

(88) Date of publication of the international search report:

27 November 2014

INTERNATIONAL SEARCH REPORT

International application No.
PCT/IB2014/059912**A. CLASSIFICATION OF SUBJECT MATTER****E02B 3/04(2006.01)i, E02B 3/06(2006.01)i, E02B 3/14(2006.01)i**

According to International Patent Classification (IPC) or to both national classification and IPC

B. FIELDS SEARCHED

Minimum documentation searched (classification system followed by classification symbols)

E02B 3/04; A01B 61/00; E02B 3/00; E02B 3/14; A01K 61/00; E02B 3/06

Documentation searched other than minimum documentation to the extent that such documents are included in the fields searched

Korean utility models and applications for utility models

Japanese utility models and applications for utility models

Electronic data base consulted during the international search (name of data base and, where practicable, search terms used)

eKOMPASS(KIPO internal) & Keywords:artificial reef, wall, hollow base, enclosure, concrete, impervious, and corrugate

C. DOCUMENTS CONSIDERED TO BE RELEVANT

Category*	Citation of document, with indication, where appropriate, of the relevant passages	Relevant to claim No.
Y	US 6186702 B1 (BARTKOWSKI, MICHAEL SCOTT) 13 February 2001 See claims 1-2,5-6,9 and figures 1-2.	1-9
Y	JP 06-185034 A (MIYAZAKI, SHIRO) 05 July 1994 See abstract, paragraph [0006] and figures 3-5.	1-4, 6
Y	US 4502816 A (CRETER, JR. et al.) 05 March 1985 See column 2, lines 15-48, claim 1 and figures 1-2.	5-9
A	JP 09-025621 A (OISHI et al.) 28 January 1997 See paragraphs [0011]-[0014] and figures 1-4.	1-9
A	US 4997311 A (VAN DOREN, DAVID A.) 05 March 1991 See claims 1-5 and figures 1-3.	1-9

 Further documents are listed in the continuation of Box C. See patent family annex.

* Special categories of cited documents:

"A" document defining the general state of the art which is not considered to be of particular relevance

"E" earlier application or patent but published on or after the international filing date

"L" document which may throw doubts on priority claim(s) or which is cited to establish the publication date of another citation or other special reason (as specified)

"O" document referring to an oral disclosure, use, exhibition or other means

"P" document published prior to the international filing date but later than the priority date claimed

"T" later document published after the international filing date or priority date and not in conflict with the application but cited to understand the principle or theory underlying the invention

"X" document of particular relevance; the claimed invention cannot be considered novel or cannot be considered to involve an inventive step when the document is taken alone

"Y" document of particular relevance; the claimed invention cannot be considered to involve an inventive step when the document is combined with one or more other such documents, such combination being obvious to a person skilled in the art

"&" document member of the same patent family

Date of the actual completion of the international search

01 September 2014 (01.09.2014)

Date of mailing of the international search report

01 September 2014 (01.09.2014)

Name and mailing address of the ISA/KR

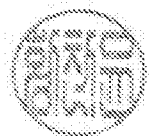
International Application Division
Korean Intellectual Property Office
189 Cheongsu-ro, Seo-gu, Daejeon Metropolitan City, 302-701,
Republic of Korea

Facsimile No. +82-42-472-7140

Authorized officer

HWANG, Chan Yoon

Telephone No. +82-42-481-3347



INTERNATIONAL SEARCH REPORT

Information on patent family members

International application No.

PCT/IB2014/059912

Patent document cited in search report	Publication date	Patent family member(s)	Publication date
US 6186702 B1	13/02/2001	None	
JP 06-185034 A	05/07/1994	None	
US 04502816 A	05/03/1985	None	
JP 09-025621 A	28/01/1997	JP 03074130 B2	07/08/2000
US 04997311 A	05/03/1991	None	