



US00D834074S

(12) **United States Design Patent** (10) **Patent No.:** **US D834,074 S**
Palushaj et al. (45) **Date of Patent:** **** Nov. 20, 2018**

(54) **SANDING TOOL**
(71) Applicant: **Diamabrush LLC**, Madison Heights, MI (US)
(72) Inventors: **Simon Palushaj**, Washington, MI (US); **Robert T. Cendrowski**, Rochester Hills, MI (US)
(73) Assignee: **Diamabrush LLC**, Madison Heights, MI (US)

D595,320 S * 6/2009 Park D15/126
D595,749 S * 7/2009 Kusuyama D15/126
D626,977 S * 11/2010 Popov D15/126
D660,888 S * 5/2012 Piliguian D15/126
D681,078 S * 4/2013 Heo D15/126
D682,651 S * 5/2013 McRoberts D8/20
D797,168 S * 9/2017 Ruan D15/126
2008/0176494 A1 7/2008 Palushaj
2008/0176498 A1 7/2008 Rossi

(**) Term: **15 Years**

FOREIGN PATENT DOCUMENTS

WO 2008/088908 A1 7/2008
WO 2008/142544 A1 11/2008
WO 2014/086367 A1 6/2014

(21) Appl. No.: **29/570,958**

OTHER PUBLICATIONS

(22) Filed: **Jul. 13, 2016**

Non-Final Office Action dated Mar. 1, 2018 for U.S. Appl. No. 15/190,988 (25 pages).
International Search Report and Written Opinion of the ISA for PCT/US2017/037412 dated Sep. 20, 2017 (12 pages).

Related U.S. Application Data

(63) Continuation-in-part of application No. 15/190,988, filed on Jun. 23, 2016.

* cited by examiner

(51) **LOC (11) Cl.** **15-03**

Primary Examiner — Ian Simmons

(52) **U.S. Cl.**

Assistant Examiner — Khawaja Anwar

USPC **D15/126**

(74) *Attorney, Agent, or Firm* — Bejin Bieneman PLC

(58) **Field of Classification Search**

USPC D15/122, 124, 126, 138, 139, 19, 21, 28, D15/29; D8/62, 70, 90; D7/372, 376, D7/370

(57) **CLAIM**

CPC B24B 37/013; B24B 19/14; B24B 37/042; B24B 37/107; B24B 13/00; B24B 13/04; B24B 21/00; B24B 21/006; B24B 21/20; B24B 23/06; B24B 31/06; B24B 37/04; B24B 41/002; B24B 47/22; B24B 49/10; B24B 49/14; B24B 49/16; B24B 49/01

We claim the ornamental design for a sanding tool, as shown herein.

See application file for complete search history.

DESCRIPTION

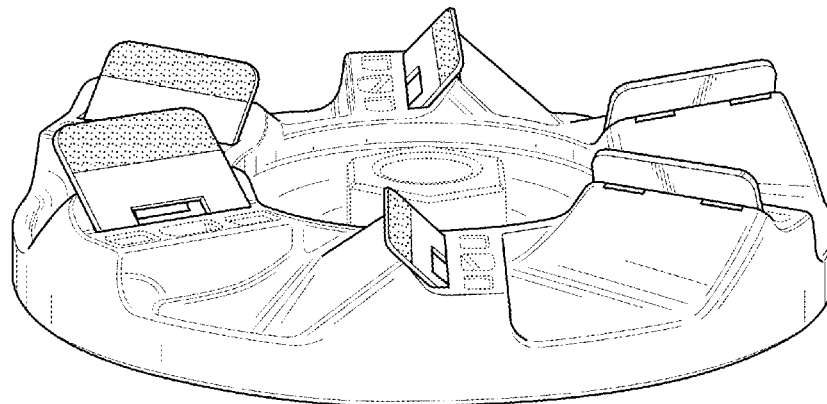
(56) **References Cited**

U.S. PATENT DOCUMENTS

D548,757 S * 8/2007 Ruan D15/126
D589,541 S * 3/2009 Park D15/126
D590,850 S * 4/2009 Park D15/126

FIG. 1 is a top perspective view of the sanding tool of the ornamental design;
FIG. 2 is a top plan view of the sanding tool;
FIG. 3 is a bottom plan view of the sanding tool; and,
FIG. 4 is a side plan view of the sanding tool.
Broken lines in the Figures depict portions of the sanding tool that are not claimed and form no part of the claimed design.

1 Claim, 3 Drawing Sheets



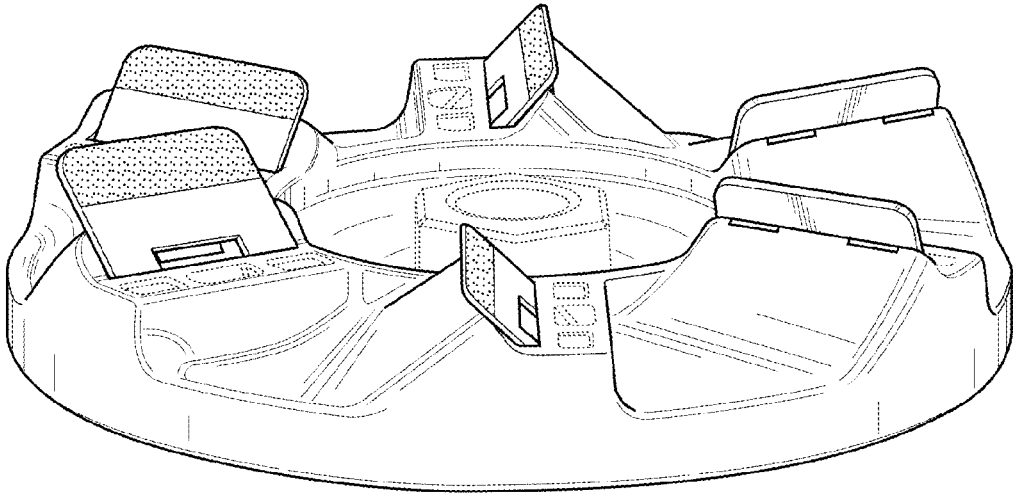


FIG. 1

FIG. 2

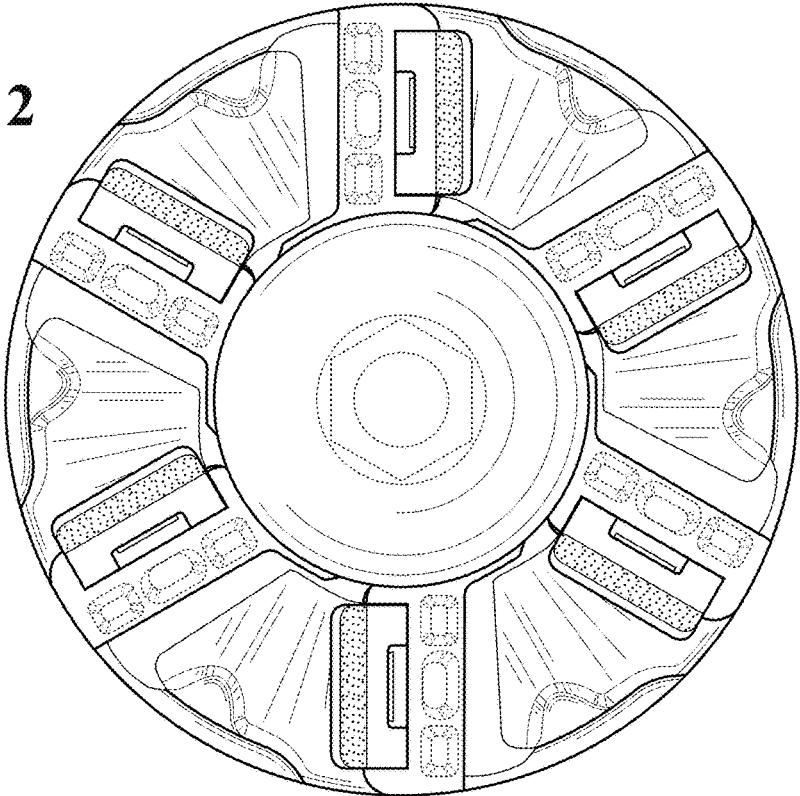
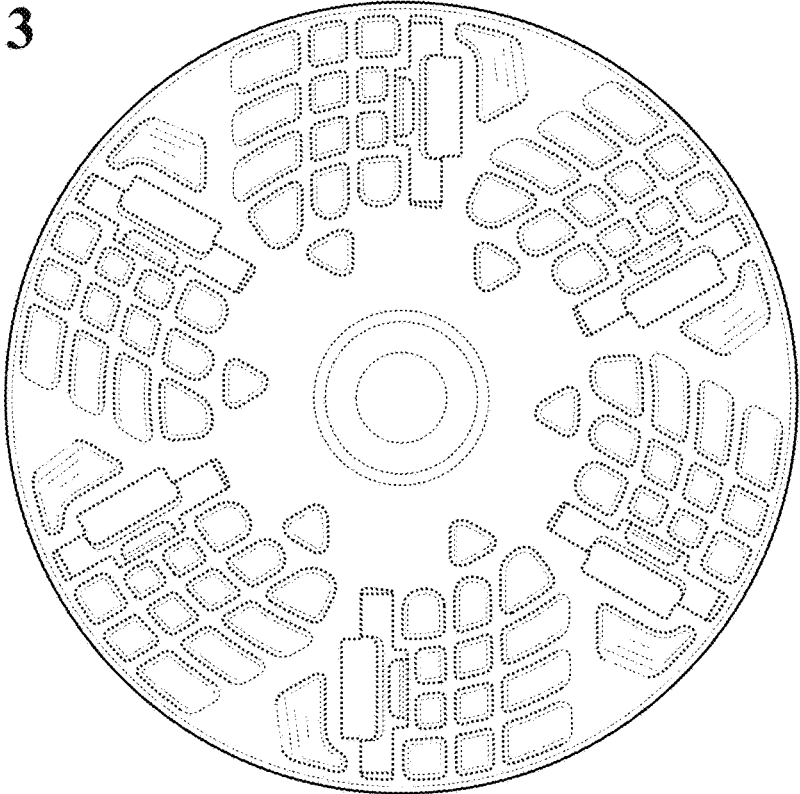


FIG. 3



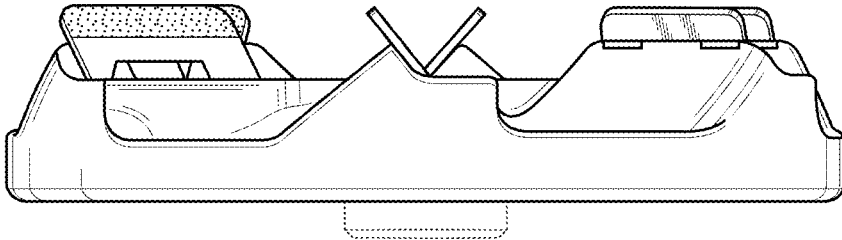


FIG. 4