



US00D839194S

(12) **United States Design Patent**
Wardenburg et al.

(10) **Patent No.:** **US D839,194 S**

(45) **Date of Patent:** **** Jan. 29, 2019**

- (54) **ELECTRICAL CONNECTOR WITH SKIRT**
- (71) Applicant: **Hydrofarm, L.L.C.**, Petaluma, CA (US)
- (72) Inventors: **Peter Wardenburg**, Petaluma, CA (US); **Sergio Corona**, Upland, CA (US)
- (73) Assignee: **Hydrofarm, L.L.C.**, Petaluma, CA (US)

D488,130 S * 4/2004 Hsiao D13/145
 7,077,676 B2 7/2006 Matsumoto et al.
 7,137,825 B2 * 11/2006 Myer H01R 23/6873
 439/63
 7,195,505 B1 3/2007 Becker
 D560,278 S * 1/2008 Malis D24/144
 7,422,463 B2 9/2008 Kuo
 7,429,193 B2 9/2008 Cairns et al.

(Continued)

- (**) Term: **15 Years**
- (21) Appl. No.: **29/612,497**
- (22) Filed: **Aug. 1, 2017**
- (51) **LOC (11) Cl.** **13-03**
- (52) **U.S. Cl.**
USPC **D13/133**
- (58) **Field of Classification Search**
USPC D13/101, 103, 110, 112, 117, 118, 120,
D13/123, 129-133, 145-147, 149, 151,
D13/153-155, 173, 183, 199
CPC . H01R 9/00; H01R 9/05; H01R 11/00; H01R
12/00; H01R 13/00; H01R 13/44; H01R
13/46; H01R 13/627; H01R 13/648;
H01R 13/66; H01R 24/00; H01R 31/06
See application file for complete search history.

OTHER PUBLICATIONS

ProMaxi 2-Prong Figure 8 Power Cord, dated Apr. 28, 2016, [online], [site visited Jun. 19, 2018]. Available from Internet, <URL: https://www.amazon.com/ProMaxi-18AWG-Polarized-2-Prong-Figure-8/dp/B01DQ6QDNC/ref=sr_1_5?ie=UTF8&qid=1529411616&sr=8-5&keywords=c8+power+cord> (Year: 2016).*

Primary Examiner — Angela J Lee
Assistant Examiner — Shawn T Gingrich
(74) *Attorney, Agent, or Firm* — Keusey & Associates, P.C.

(57) **CLAIM**

The ornamental design for an electrical connector with skirt, as shown and described.

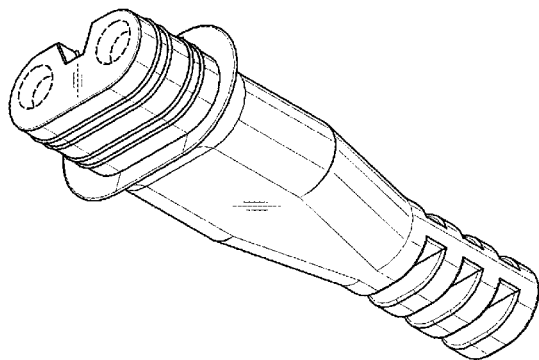
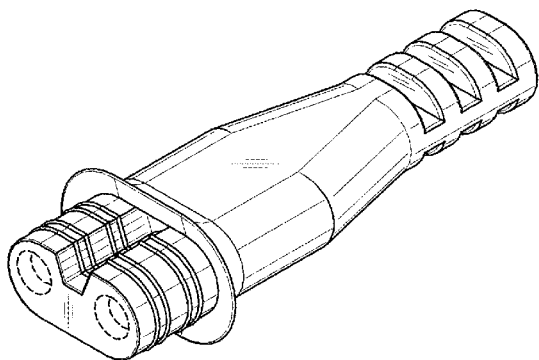
DESCRIPTION

FIG. 1 is a front, top, right side perspective view of my new design of an electrical connector with skirt.
FIG. 2 is a front, bottom, right side perspective view thereof.
FIG. 3 is a right side elevational view thereof, the left side elevational view being a mirror image thereof.
FIG. 4 is a top plan view thereof.
FIG. 5 is a bottom plan view thereof.
FIG. 6 is a front side elevational view thereof; and,
FIG. 7 is a rear side elevational view thereof.
The broken lines in FIGS. 1, 2, 6 and 7 represent environment only, and form no part of the claimed design.

1 Claim, 2 Drawing Sheets

(56) **References Cited**
U.S. PATENT DOCUMENTS

D198,529 S *	6/1964	Lewis	D13/145
3,611,255 A	10/1971	Shroyer		
3,960,429 A	6/1976	Moulin		
4,637,674 A	1/1987	Kobler		
4,895,533 A	1/1990	Yagi et al.		
5,206,579 A	4/1993	Kawate et al.		
D341,815 S *	11/1993	Blood	D13/133
6,022,237 A	2/2000	Esh		
D434,377 S *	11/2000	Bussett	D13/133
D453,921 S *	2/2002	Bussett	439/252
6,412,988 B1 *	7/2002	Dean, Jr.	G02B 6/3833 385/76



(56)

References Cited

U.S. PATENT DOCUMENTS

D678,201	S	3/2013	Corona	
D678,202	S	3/2013	Corona	
D678,203	S	3/2013	Corona	
D678,204	S	3/2013	Corona	
8,853,542	B2	10/2014	Anderson et al.	
D729,169	S	5/2015	Corona	
9,130,303	B2	9/2015	Anderson et al.	
D814,418	S *	4/2018	Kawakami D13/133
2008/0003868	A1	1/2008	Cairns	
2008/0194137	A1	8/2008	Kuo	
2010/0120294	A1 *	5/2010	Ko H01R 24/52 439/660
2011/0014821	A1 *	1/2011	Ko H01R 9/03 439/733.1
2012/0322312	A1 *	12/2012	Tsai H01R 24/28 439/628
2014/0235092	A1 *	8/2014	Akuta H01R 13/6581 439/353

* cited by examiner

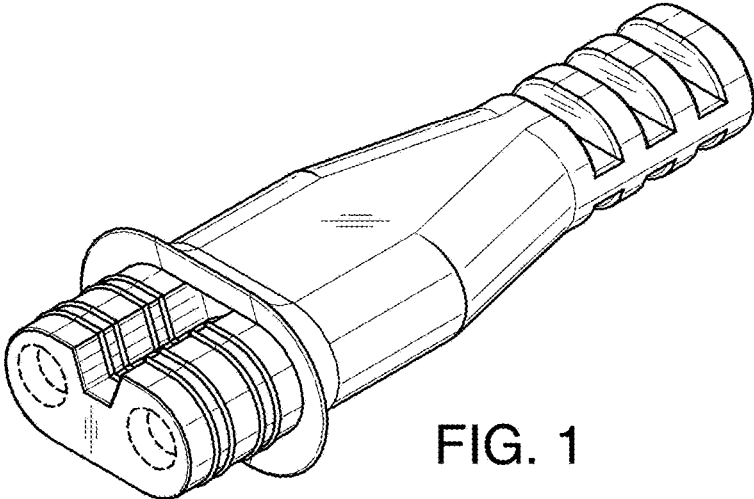


FIG. 1

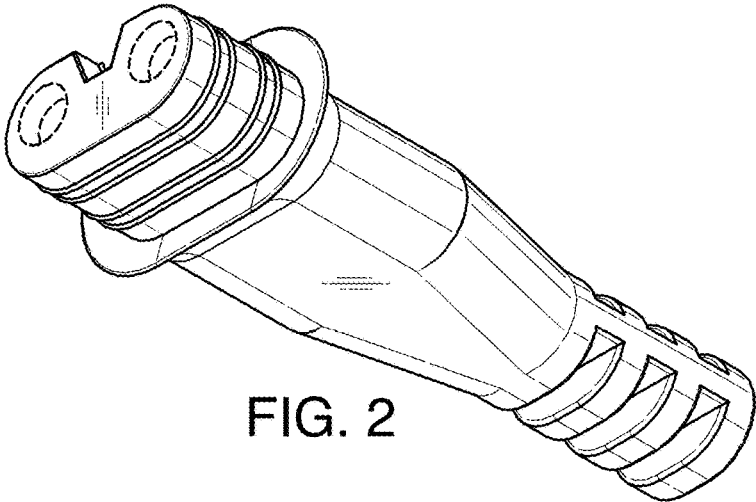


FIG. 2

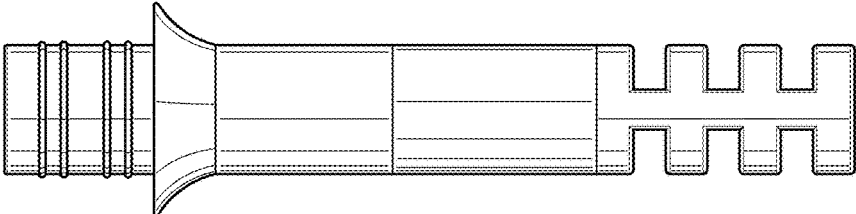


FIG. 3

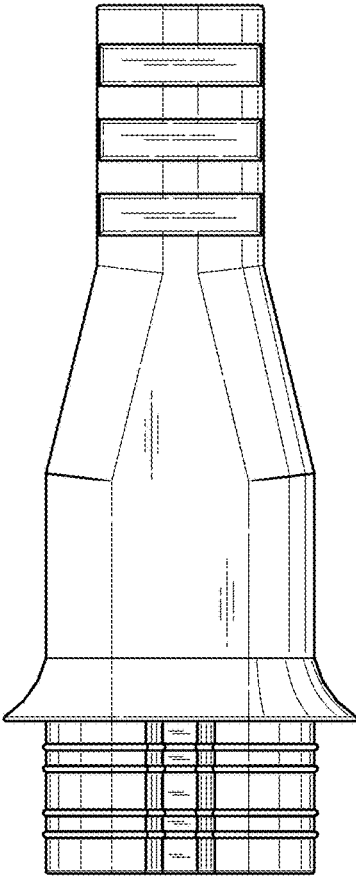


FIG. 4

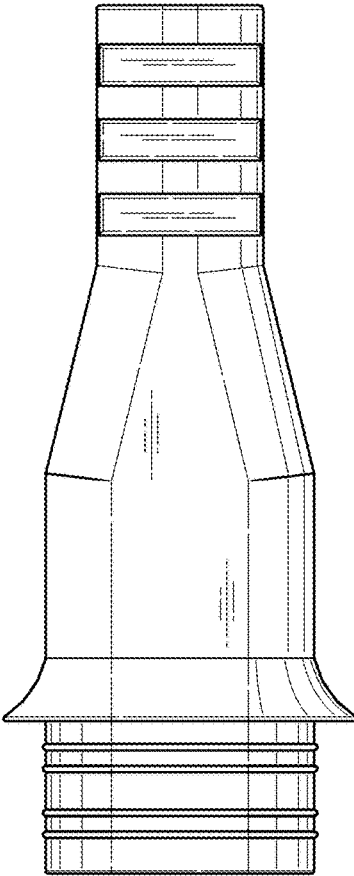


FIG. 5

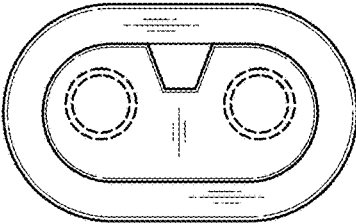


FIG. 6

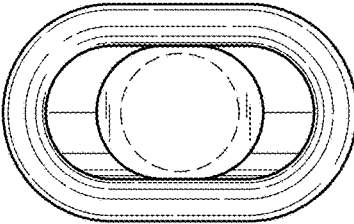


FIG. 7