



US00D570245S

(12) **United States Design Patent**  
**McAbee**

(10) **Patent No.:** **US D570,245 S**

(45) **Date of Patent:** **\*\* Jun. 3, 2008**

(54) **ANTLER DISPLAY DEVICE WITH A SQUARE BASE**

(76) Inventor: **Troy McAbee**, 2744 Vaugh Bridge Rd., Hartselle, AL (US) 35640

(\*\*) Term: **14 Years**

(21) Appl. No.: **29/259,841**

(22) Filed: **May 16, 2006**

(51) **LOC (8) Cl.** ..... **11-02**

(52) **U.S. Cl.** ..... **D11/164; D11/131**

(58) **Field of Classification Search** ..... D11/117-164;  
D6/329, 349, 449, 450, 396, 455, 466, 495,  
D6/497, 509; D19/94-97; D20/10, 12, 15,  
D20/29, 30, 43; 428/7, 8, 13, 15-20, 22,  
428/27, 542.2, 542.4; 248/176.1, 346.01,  
248/346.03, 908, 915

See application file for complete search history.

(56) **References Cited**

**U.S. PATENT DOCUMENTS**

D22,165 S *	1/1893	Librowicz .....	D11/164
970,040 A *	9/1910	Gounevitch et al. ....	368/23
D40,930 S *	10/1910	Spaulding .....	D11/161
D55,266 S *	5/1920	Fuller .....	D6/310
D181,159 S *	10/1957	Merle .....	D11/164
D232,442 S *	8/1974	Atwell .....	D11/157
D255,628 S *	7/1980	Van Koert .....	D6/486
D345,946 S *	4/1994	Palmer .....	D11/131
D517,237 S *	3/2006	Morrow .....	D26/110

**OTHER PUBLICATIONS**

Wallace Silversmiths Trophy Headquarters, Jan. 1942: trophy pedestals shown on p. 8.\*

Passon's Trophies 1966 catalog: item D170 on upper left of p. 4.\*

\* cited by examiner

*Primary Examiner*—Catherine Tuttle

(74) *Attorney, Agent, or Firm*—Frank M. Caprio; Mark Swanson; Bradley Arant Rose & White LLP

(57) **CLAIM**

I claim the ornamental design for an antler display device with a square base, as shown and described.

**DESCRIPTION**

FIG. 1 is a left front perspective view of an antler display device with a square base.

FIG. 2 is a top view thereof.

FIG. 3 is a front elevational view thereof. The dotted line portion showing an upper surface is for illustrative purposes only and forms no part of the claimed design.

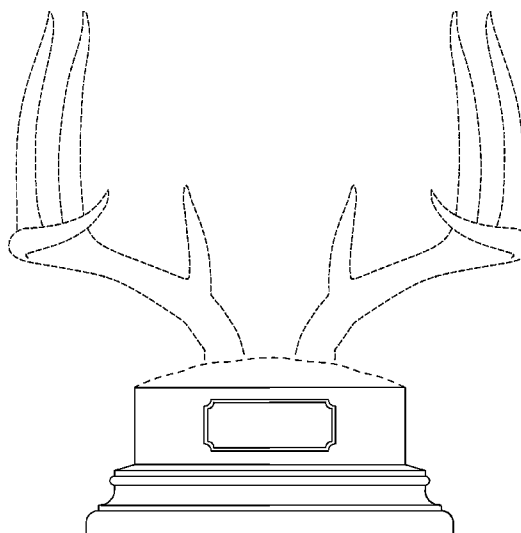
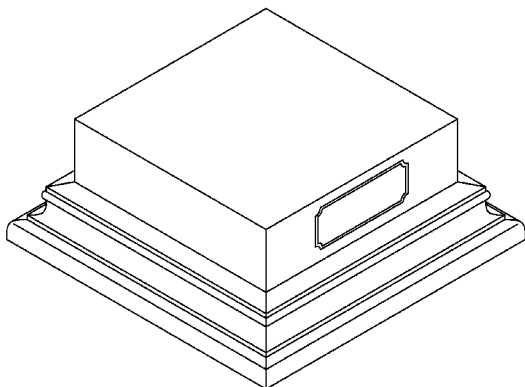
FIG. 4 is a rear elevational view thereof. The dotted line portion showing an upper surface is for illustrative purposes only and forms no part of the claimed design.

FIG. 5 is a right-side elevational view thereof. The dotted line portion showing an upper surface is for illustrative purposes only and forms no part of the claimed design.

FIG. 6 is a left-side elevation view thereof. The dotted line portion showing an upper surface is for illustrative purposes only and forms no part of the claimed design; and,

FIG. 7 is a front view thereof. The dotted line portions showing a pair of antlers and an upper surface are for illustrative purposes only and form no part of the claimed design.

**1 Claim, 4 Drawing Sheets**



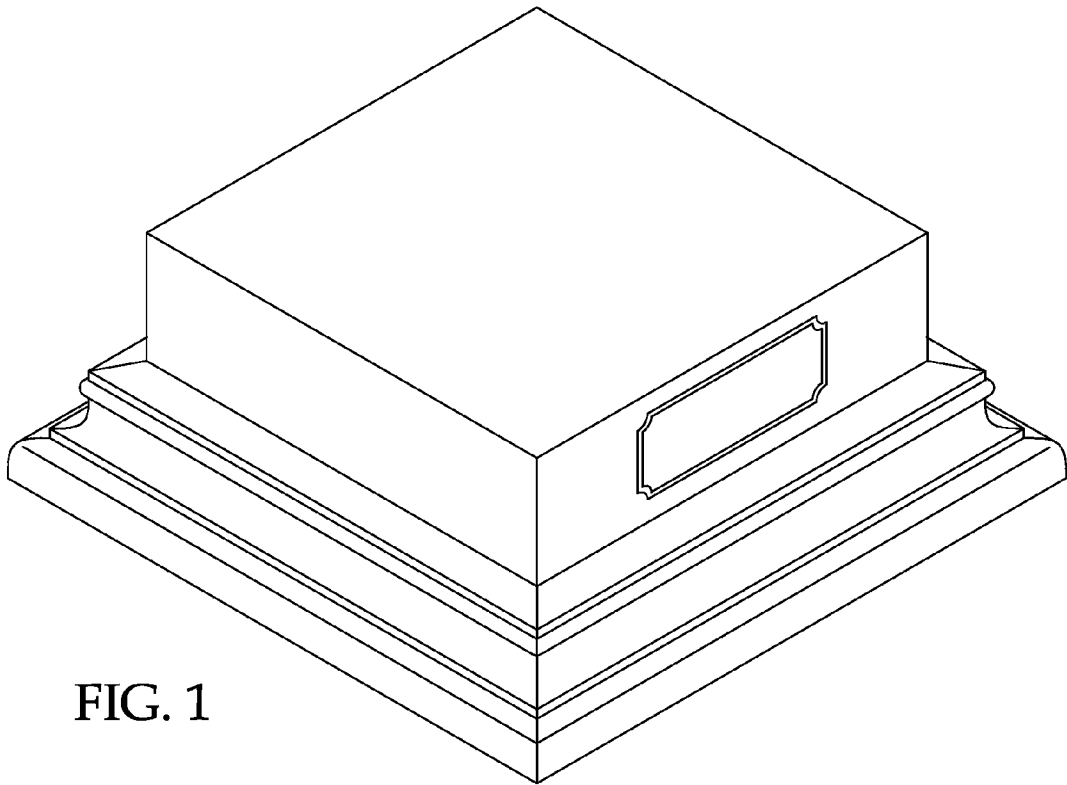


FIG. 1

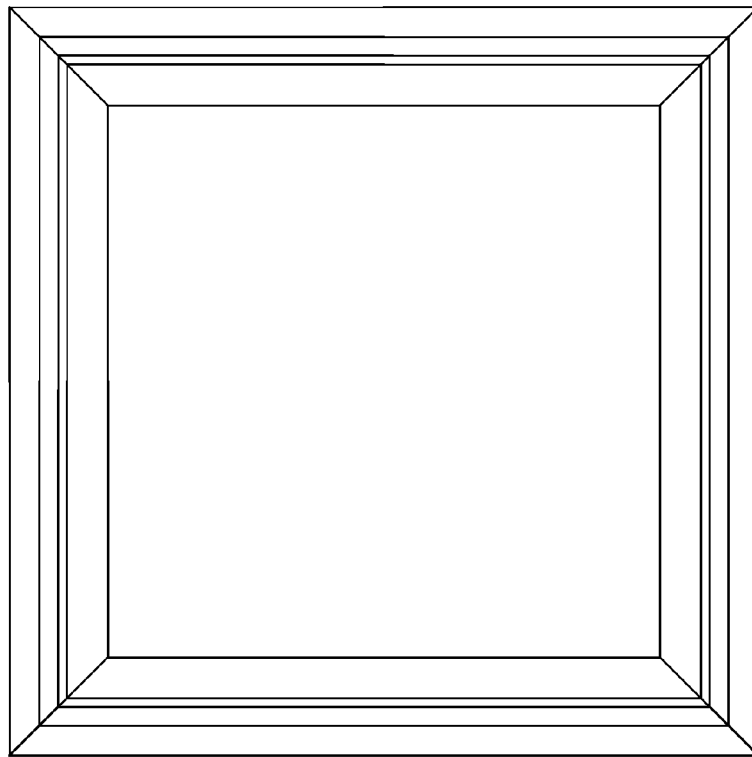


FIG. 2

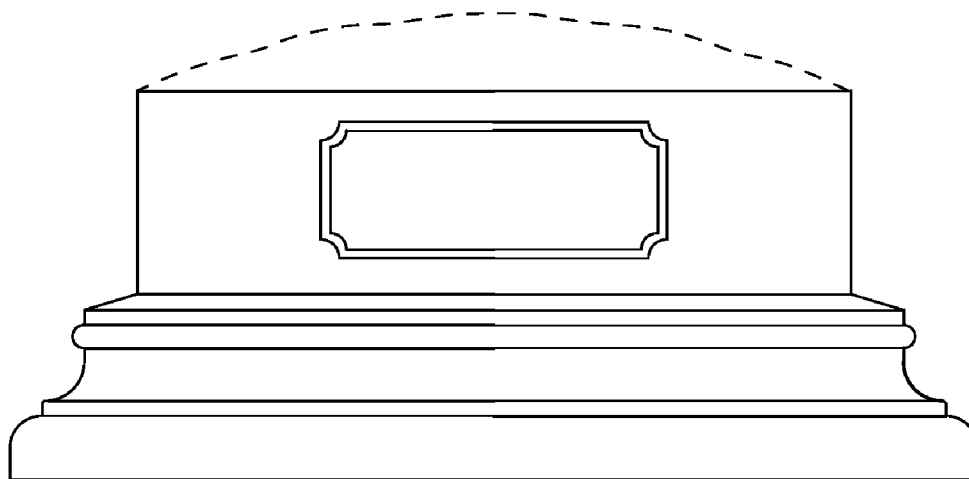


FIG. 3

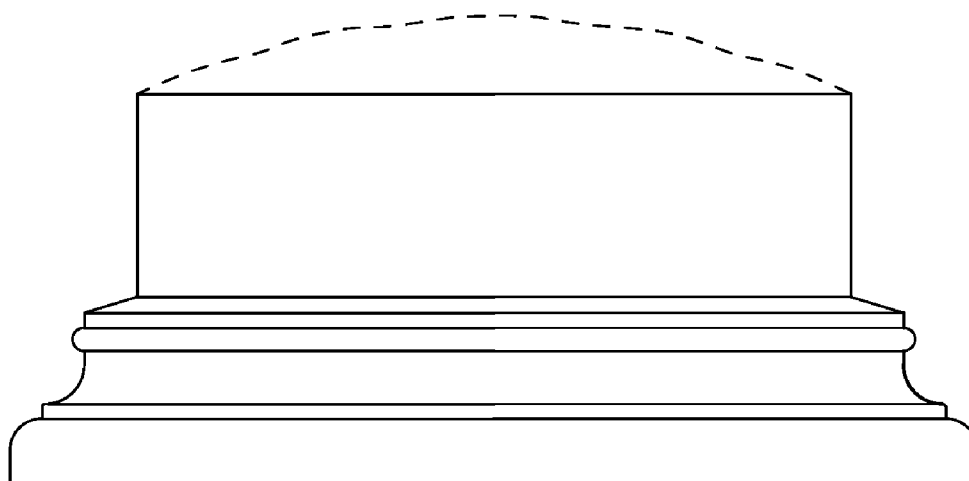


FIG. 4

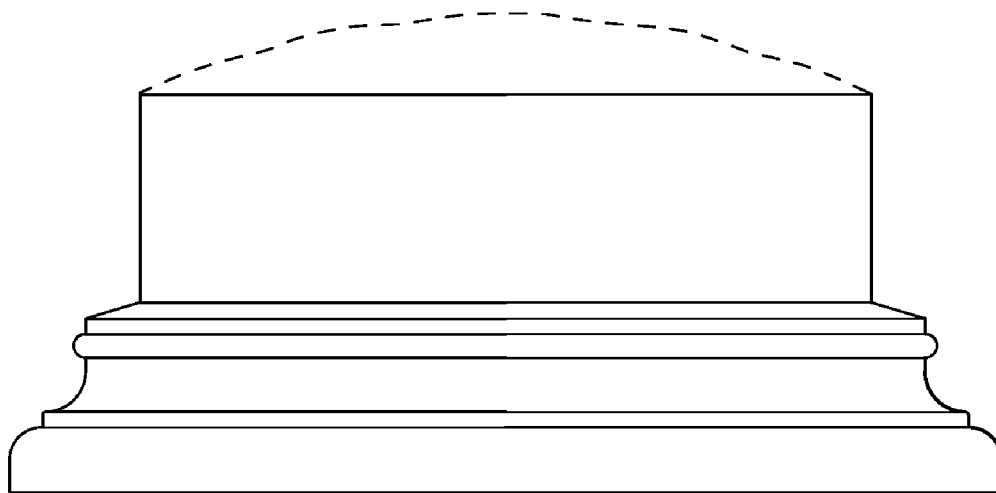


FIG. 5

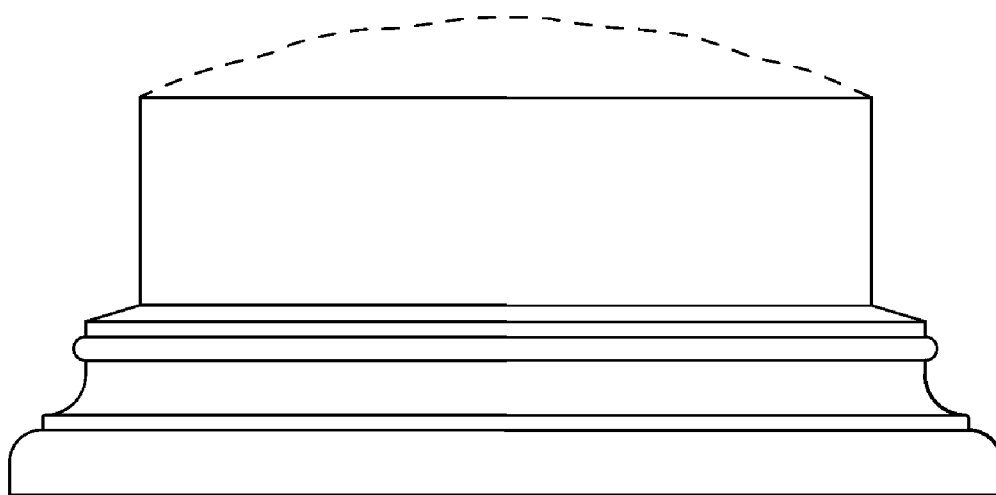


FIG. 6

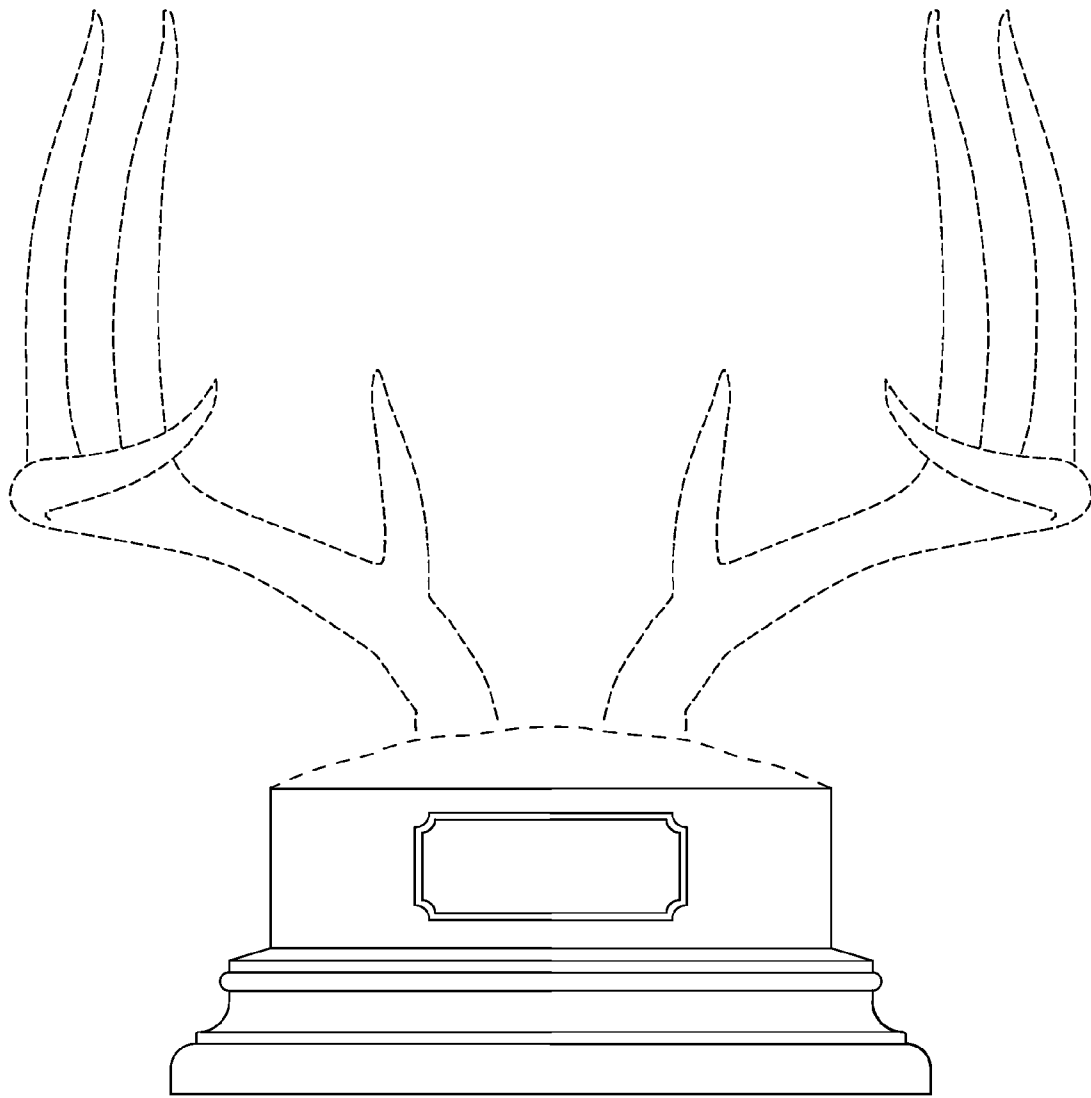


FIG. 7