



US00D535262S

(12) **United States Design Patent**
Saito et al.

(10) **Patent No.:** **US D535,262 S**

(45) **Date of Patent:** **** Jan. 16, 2007**

(54) **LIGHT EMITTING DIODE MODULE**

(75) Inventors: **Takeshi Saito**, Hyogo (JP); **Keiji Nishimoto**, Osaka (JP); **Noriyasu Tanimoto**, Osaka (JP); **Hideo Nagai**, Osaka (JP)

(73) Assignee: **Matsushita Electric Industrial Co., Ltd.**, Osaka (JP)

(**) Term: **14 Years**

(21) Appl. No.: **29/244,308**

(22) Filed: **Dec. 7, 2005**

(30) **Foreign Application Priority Data**

Jun. 8, 2005 (JP) 2005-016626
Jun. 8, 2005 (JP) 2005-016627

(51) **LOC (8) Cl.** **13-03**

(52) **U.S. Cl.** **D13/180**

(58) **Field of Classification Search** D13/180;
D26/2; 257/79, 80, 81, 82, 88, 89, 95, 98,
257/99, 100, 678, 680, 433, 434, 666; 313/483,
313/498, 500; 361/820; 362/235, 249, 555,
362/800; 372/45.01

See application file for complete search history.

(56) **References Cited**

U.S. PATENT DOCUMENTS

D363,464 S * 10/1995 Fukasawa D13/182
D439,351 S * 3/2001 Kiba et al. D26/37
6,371,637 B1 * 4/2002 Atchinson et al. 362/555
6,422,716 B1 * 7/2002 Henrici et al. 362/249
6,428,189 B1 * 8/2002 Hochstein 362/373
6,726,502 B1 * 4/2004 Hayes 439/422
D494,286 S 8/2004 Matsui et al.

D494,287 S 8/2004 Matsui et al.
D494,288 S 8/2004 Matsui et al.
D494,687 S 8/2004 Matsui et al.
6,788,541 B1 * 9/2004 Hsiung 361/719
D505,120 S * 5/2005 Suenaga D13/180
D515,517 S * 2/2006 Matsui et al. D13/180
6,999,318 B1 * 2/2006 Newby 361/719
7,044,620 B1 * 5/2006 Van Duyn 362/294
2004/0070338 A1 * 4/2004 Noguchi et al. 313/512
2006/0092637 A1 * 5/2006 Yeh 362/249

FOREIGN PATENT DOCUMENTS

JP D 1182538 8/2003
JP D 1182540 8/2003
JP D 1183708 9/2003
JP D 1190712 11/2003
JP D 1191624 12/2003

* cited by examiner

Primary Examiner—Selina Sikder

(74) *Attorney, Agent, or Firm*—Brinks Hofer Gilson & Lione

(57) **CLAIM**

We claim the ornamental design for a light emitting diode module, as shown and described.

DESCRIPTION

FIG. 1 is a top perspective view of a light emitting diode module of the present invention;
FIG. 2 is a front view thereof;
FIG. 3 is a bottom view thereof;
FIG. 4 is a first side view thereof;
FIG. 5 is a second side view thereof; and,
FIG. 6 is a top view thereof.

1 Claim, 2 Drawing Sheets

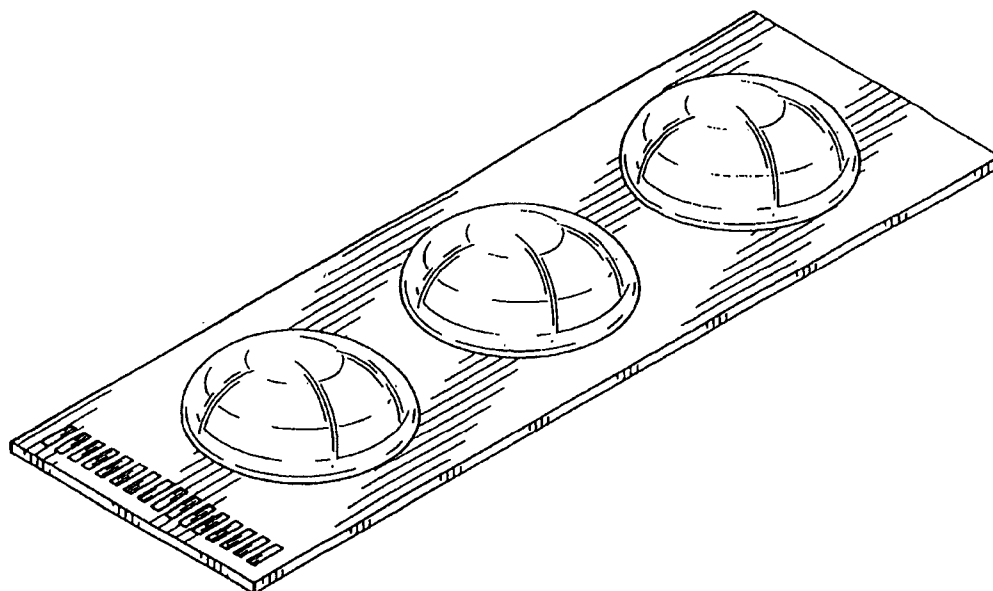


FIG. 1

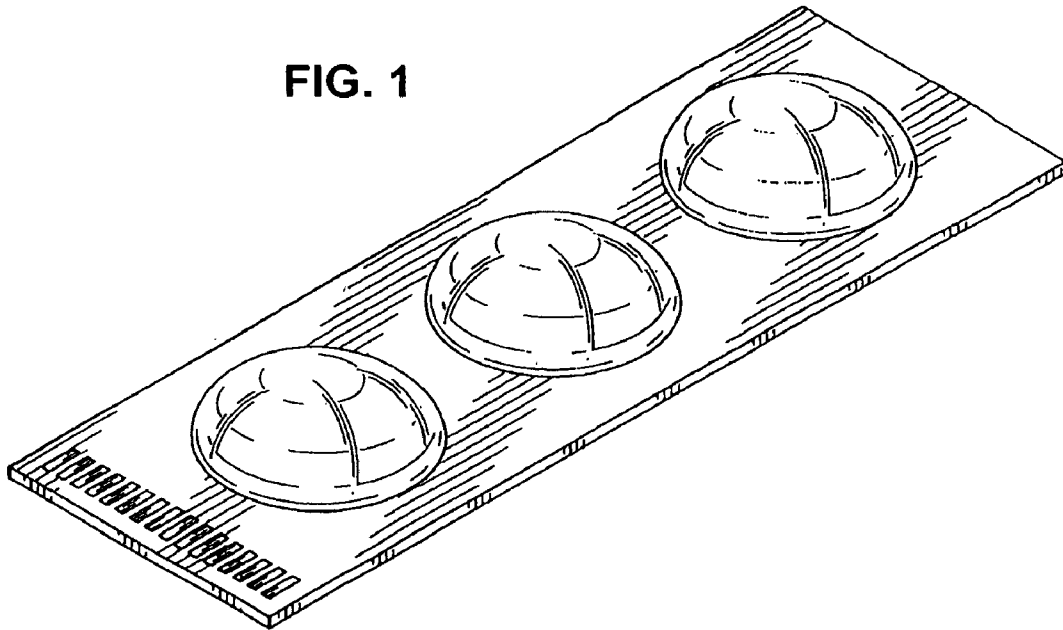


FIG. 2

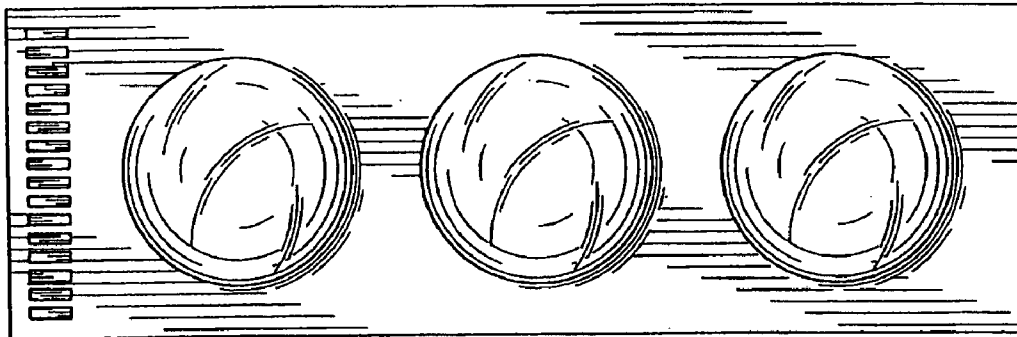


FIG. 3



FIG. 4



FIG. 5



FIG. 6

