



US00D733092S

(12) **United States Design Patent**
Gan

(10) **Patent No.:** **US D733,092 S**

(45) **Date of Patent:** **** Jun. 30, 2015**

(54) **HEADPHONES**

(71) Applicant: **Creative Technology Ltd**, Singapore (SG)

(72) Inventor: **Huey Ying Gan**, Singapore (SG)

(73) Assignee: **Creative Technology Ltd**, Singapore (SG)

(**) Term: **14 Years**

(21) Appl. No.: **29/492,352**

(22) Filed: **May 30, 2014**

(51) **LOC (10) Cl.** **14-01**

(52) **U.S. Cl.**
USPC **D14/205**

(58) **Field of Classification Search**
USPC D14/205; D29/112; 2/209; 181/129,
181/130, 135; 379/430, 431; 381/380, 381,
381/374; 455/90.3, 575.1

CPC H04R 1/1066
See application file for complete search history.

(56) **References Cited**

U.S. PATENT DOCUMENTS

| | | | | | | |
|-----------|----|---|---------|------------------|-------|---------|
| D328,074 | S | * | 7/1992 | Yamazaki et al. | | D14/205 |
| D345,163 | S | * | 3/1994 | Yamatogi | | D14/205 |
| D449,034 | S | * | 10/2001 | Weikel et al. | | D14/205 |
| D476,639 | S | * | 7/2003 | Bergeron et al. | | D14/205 |
| 7,072,483 | B2 | * | 7/2006 | Lenhard-Backhaus | | 381/383 |
| D541,255 | S | * | 4/2007 | Taylor et al. | | D14/205 |
| D628,554 | S | * | 12/2010 | Tedja et al. | | D14/205 |

| | | | | | | |
|--------------|----|---|---------|----------------|-------|---------|
| D632,668 | S | * | 2/2011 | Brunner et al. | | D14/205 |
| D657,344 | S | * | 4/2012 | Brunner et al. | | D14/205 |
| D677,648 | S | * | 3/2013 | Lee et al. | | D14/206 |
| D691,582 | S | * | 10/2013 | Nguyen et al. | | D14/205 |
| 8,559,665 | B2 | * | 10/2013 | Schmidt et al. | | 381/374 |
| D693,791 | S | * | 11/2013 | Troy | | D14/205 |
| D699,702 | S | * | 2/2014 | Chen | | D14/205 |
| D705,161 | S | * | 5/2014 | Chen et al. | | D13/110 |
| 8,767,996 | B1 | * | 7/2014 | Lin et al. | | 381/380 |
| 8,861,767 | B2 | * | 10/2014 | Lee et al. | | 381/370 |
| D719,136 | S | * | 12/2014 | Schaal et al. | | D14/206 |
| D721,052 | S | * | 1/2015 | Carr et al. | | D14/205 |
| 2010/0310093 | A1 | * | 12/2010 | Semcken | | 381/104 |

* cited by examiner

Primary Examiner — Paula Greene

(74) *Attorney, Agent, or Firm* — Russell Swerdon; Desmond Gean

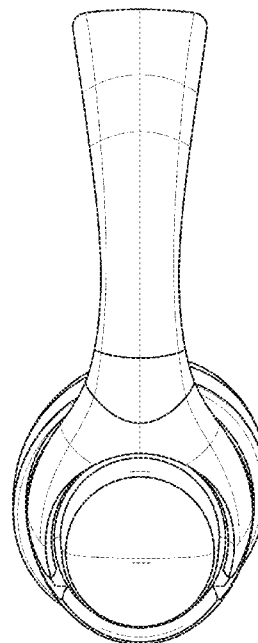
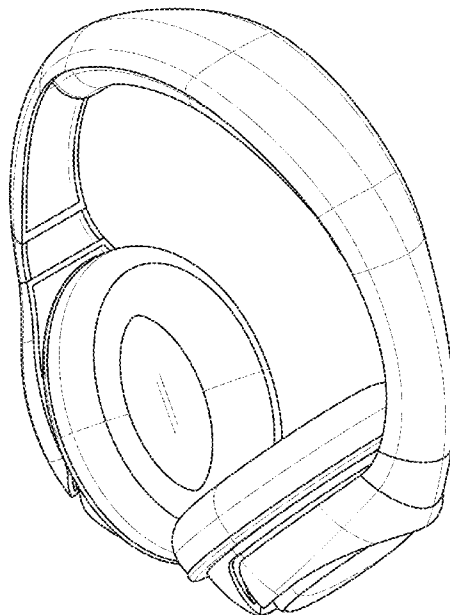
(57) **CLAIM**

The ornamental design for a headphones, substantially as shown and described.

DESCRIPTION

FIG. 1 is a front top right side perspective view of a headphones showing our new design;
FIG. 2 is a rear top left side perspective view thereof;
FIG. 3 is a front elevational view thereof;
FIG. 4 is a rear elevational view thereof;
FIG. 5 is a right side elevational view thereof;
FIG. 6 is a left side elevational view thereof;
FIG. 7 is a top plan view thereof; and,
FIG. 8 is a bottom plan view thereof.

1 Claim, 8 Drawing Sheets



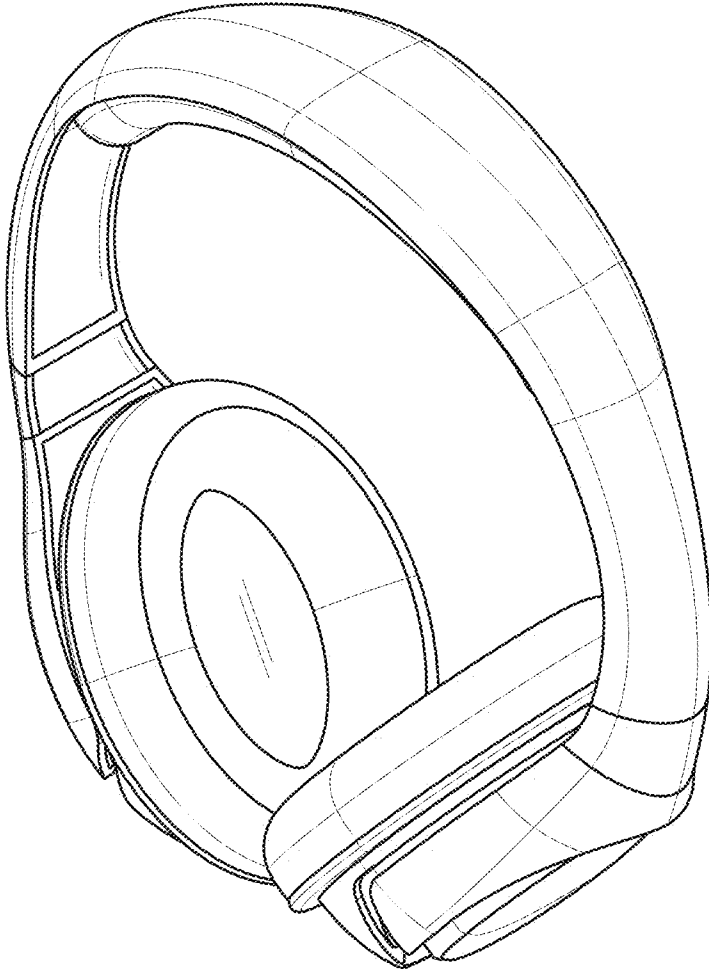


FIG. 1

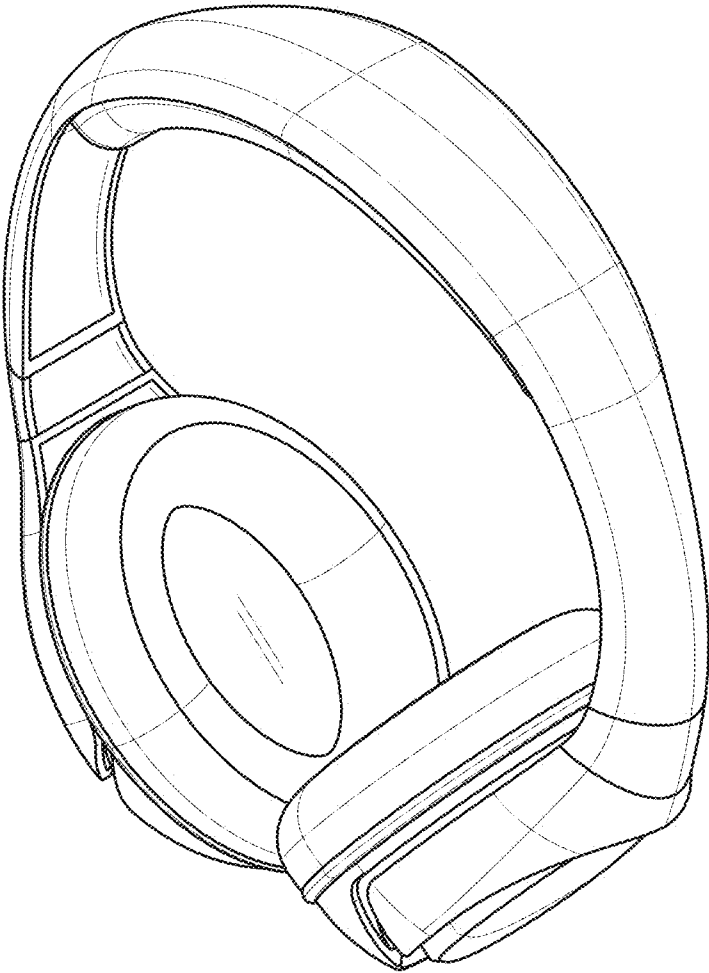


FIG. 2

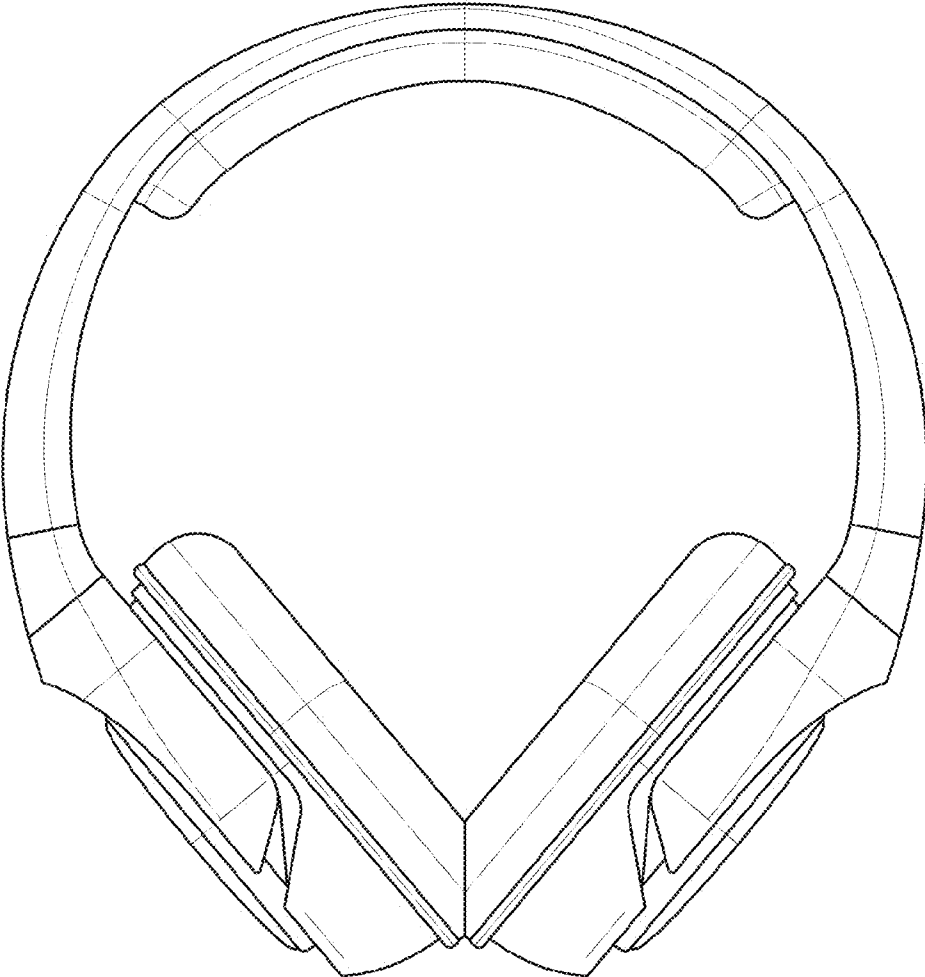


FIG. 3

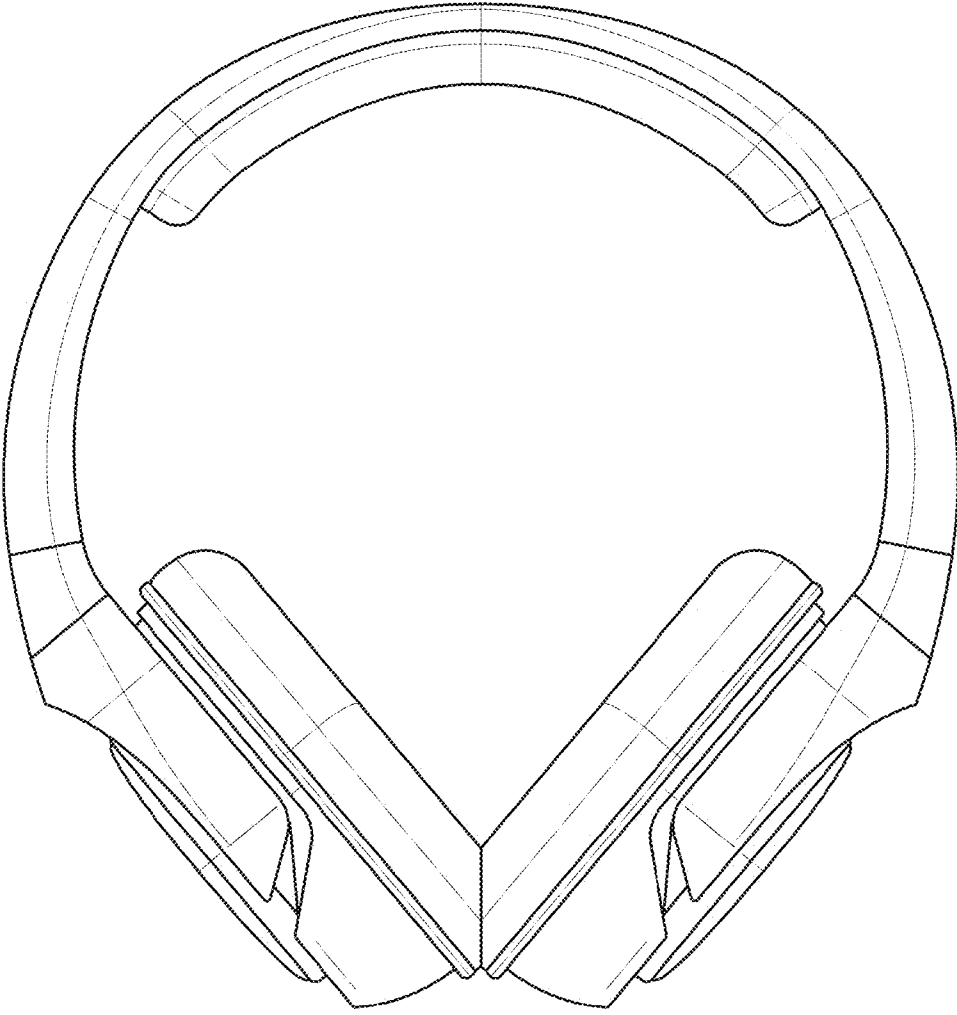


FIG. 4

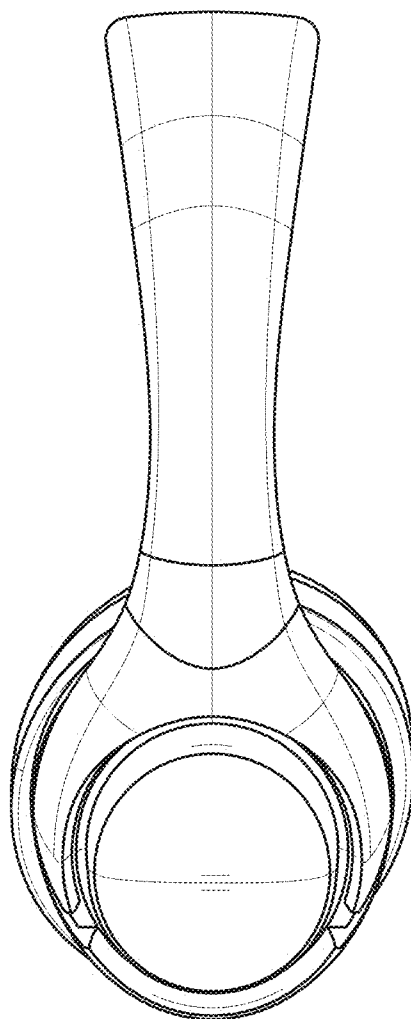


FIG. 5

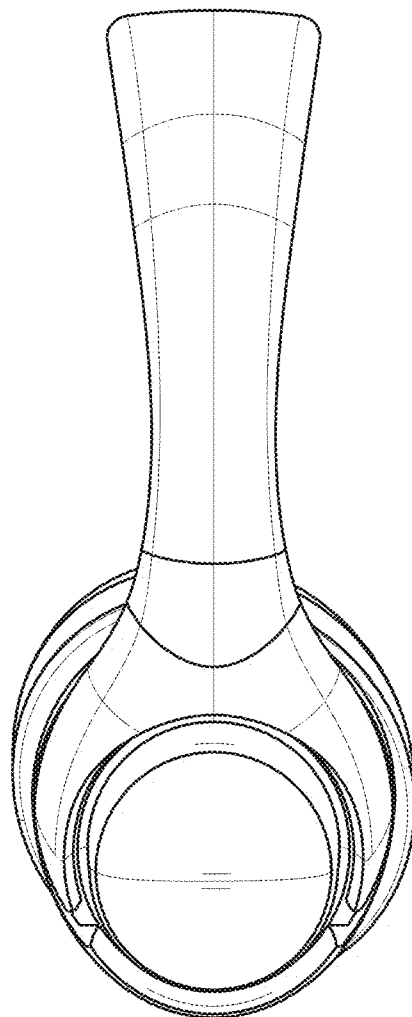


FIG. 6

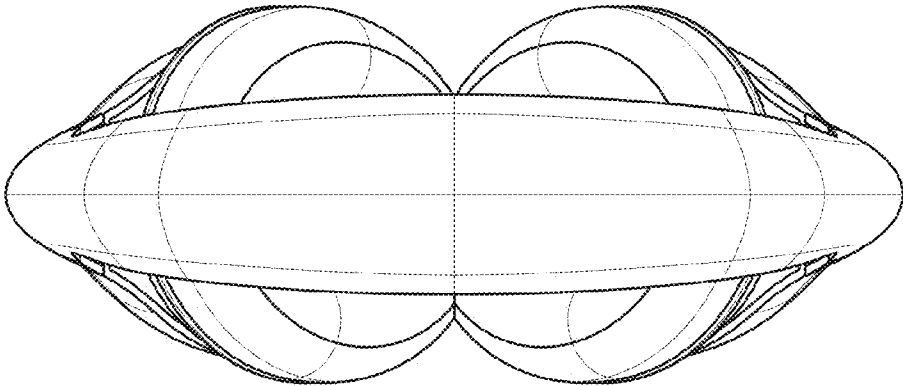


FIG. 7

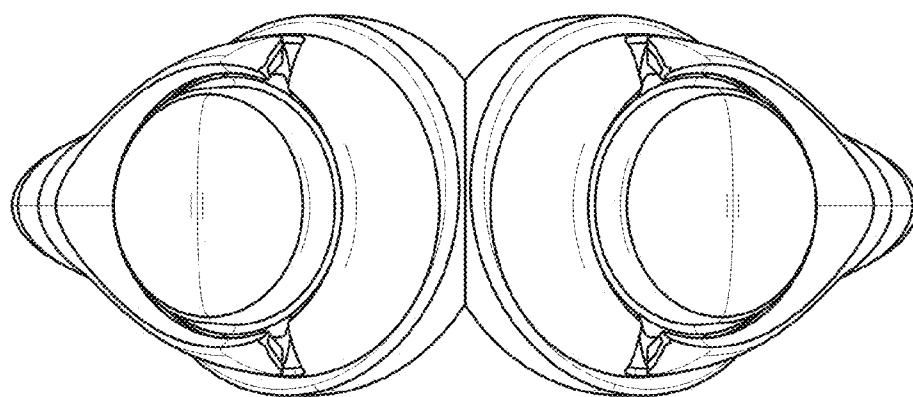


FIG. 8