



US00D564659S

(12) **United States Design Patent**
Hayashi

(10) **Patent No.:** **US D564,659 S**

(45) **Date of Patent:** **** Mar. 18, 2008**

(54) **ENDOSCOPE CONNECTOR**

(75) Inventor: **Tatsuyuki Hayashi**, Saitama (JP)

(73) Assignee: **PENTAX Corporation**, Tokyo (JP)

(**) Term: **14 Years**

(21) Appl. No.: **29/262,585**

(22) Filed: **Jul. 7, 2006**

(30) **Foreign Application Priority Data**

Jan. 10, 2006 (JP) 2006-000181

(51) **LOC (8) Cl.** **24-02**

(52) **U.S. Cl.** **D24/138; D24/129**

(58) **Field of Classification Search** D24/138,
D24/129; 348/75, 65; 600/142, 131, 459,
600/132, 174, 134, 453, 461, 160, 462
See application file for complete search history.

(56) **References Cited**

U.S. PATENT DOCUMENTS

5,993,381 A * 11/1999 Ito 600/131
6,099,466 A * 8/2000 Sano et al. 600/160
6,482,149 B1 * 11/2002 Torii 600/142

D481,125 S * 10/2003 Hayamizu D24/138
D498,533 S * 11/2004 Hayamizu D24/138
2006/0052663 A1 * 3/2006 Koitabashi 600/132

* cited by examiner

Primary Examiner—Ian Simmons

Assistant Examiner—Christopher Lee

(74) *Attorney, Agent, or Firm*—Sughrue Mion, PLLC

(57) **CLAIM**

The ornamental design for an endoscope connector, as shown.

DESCRIPTION

FIG. 1 is a perspective view of the top, front and right side of an endoscope connector showing my new design;

FIG. 2 is a front elevational view thereof;

FIG. 3 is a rear elevational view thereof;

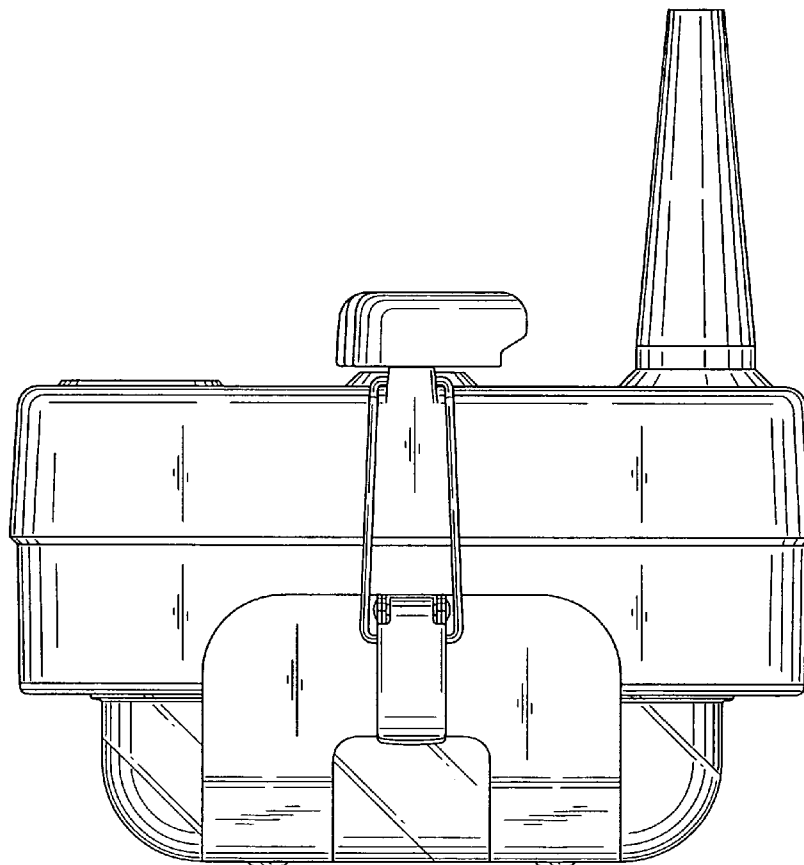
FIG. 4 is a right side elevational view thereof;

FIG. 5 is a left side elevational view thereof;

FIG. 6 is a top plan view thereof; and,

FIG. 7 is a bottom plan view thereof.

1 Claim, 5 Drawing Sheets



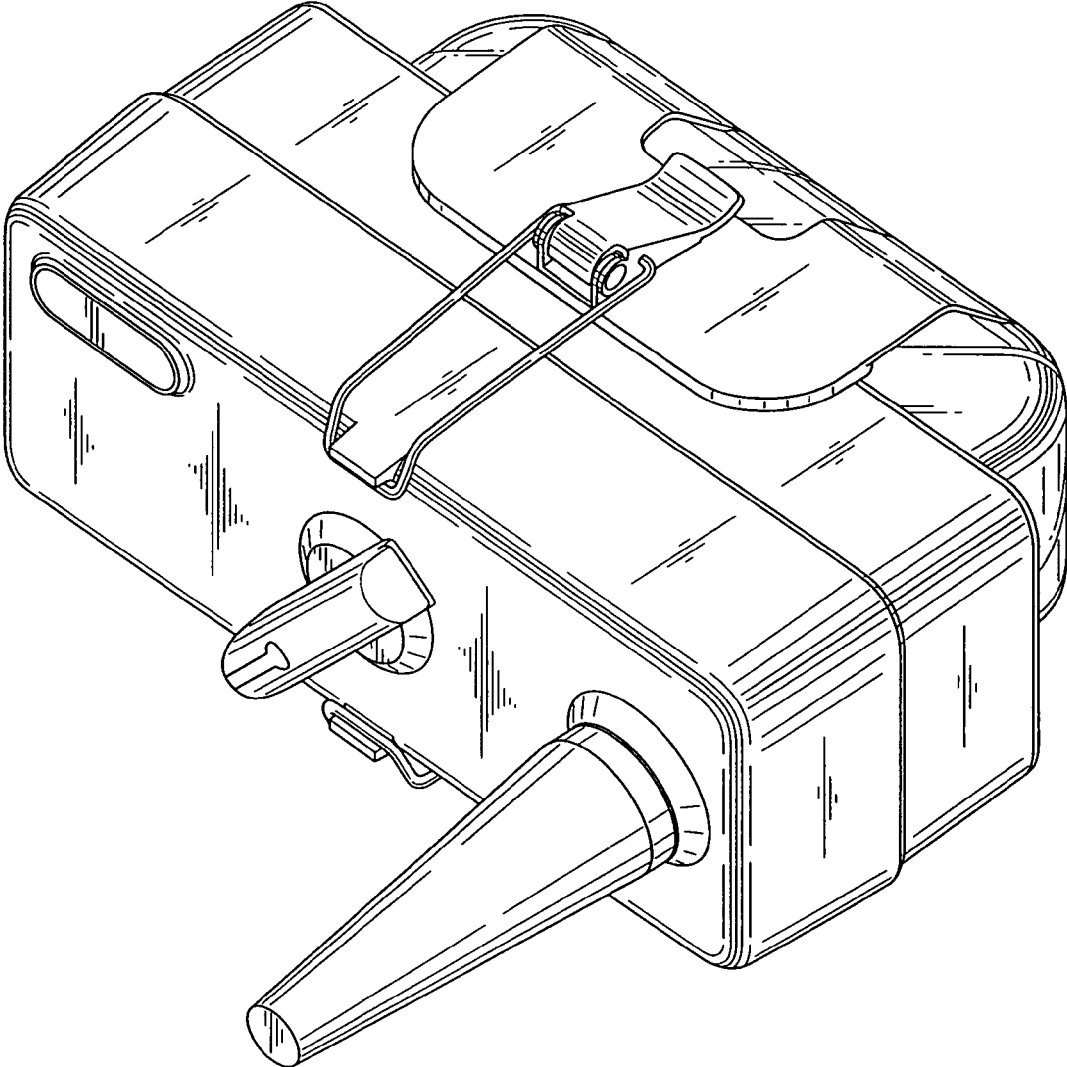


FIG. 1

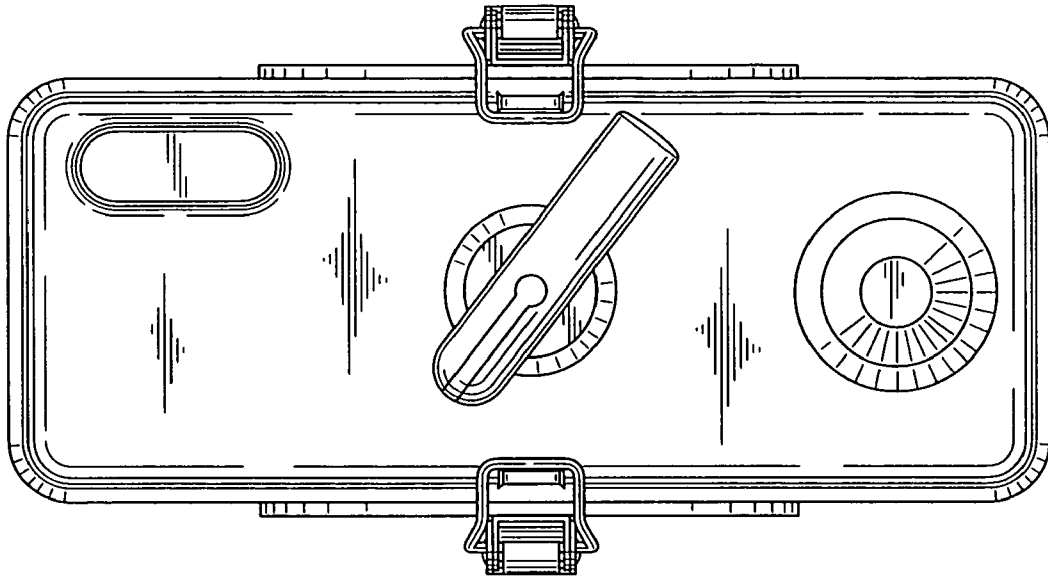


FIG. 2

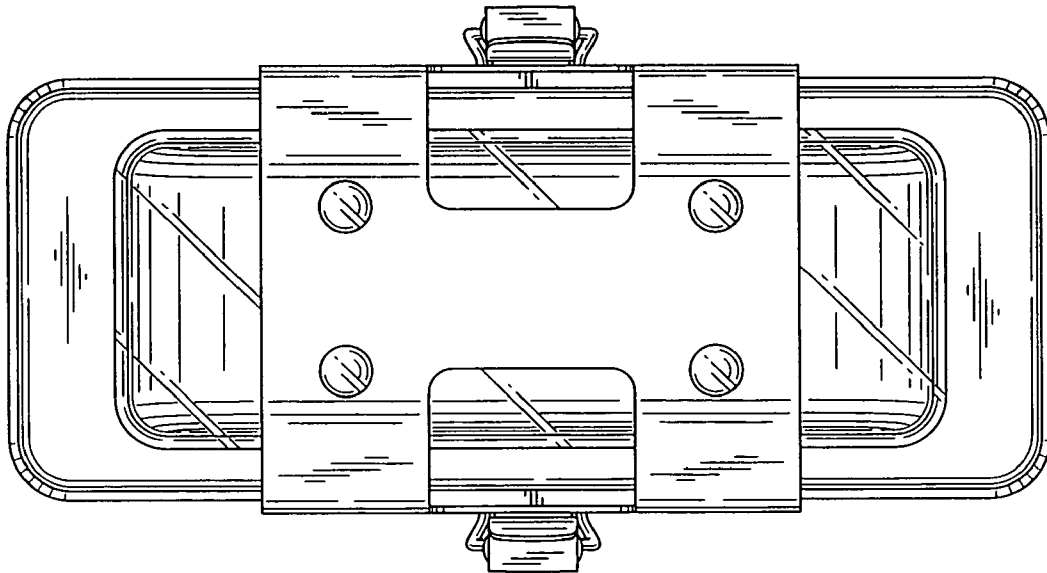


FIG. 3

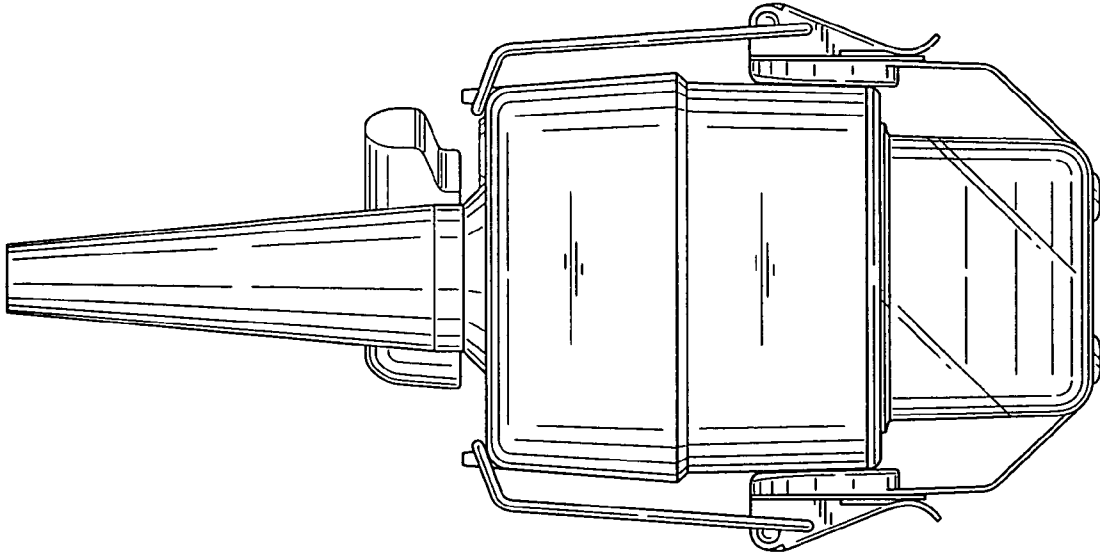


FIG. 4

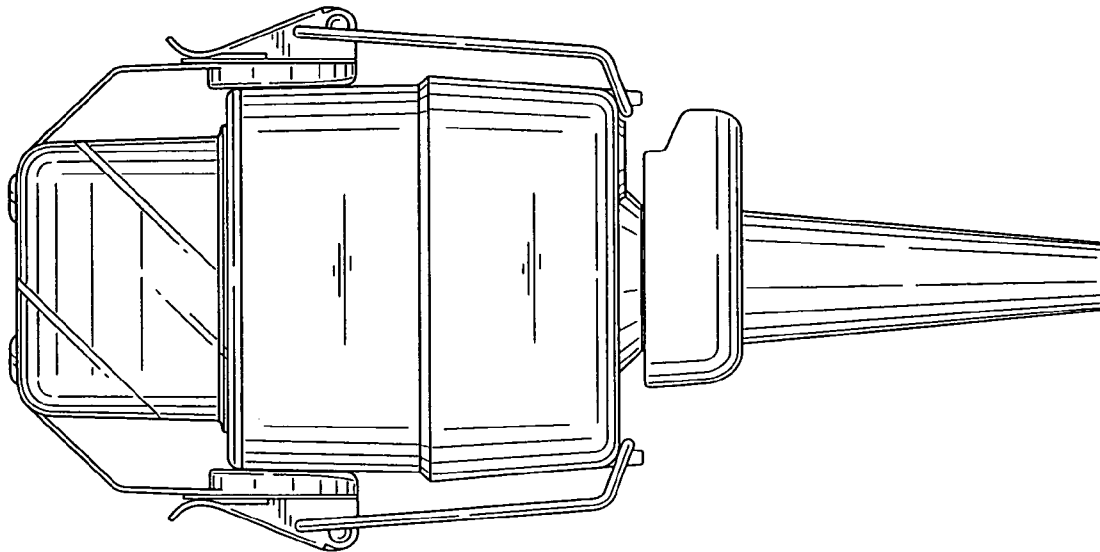


FIG. 5

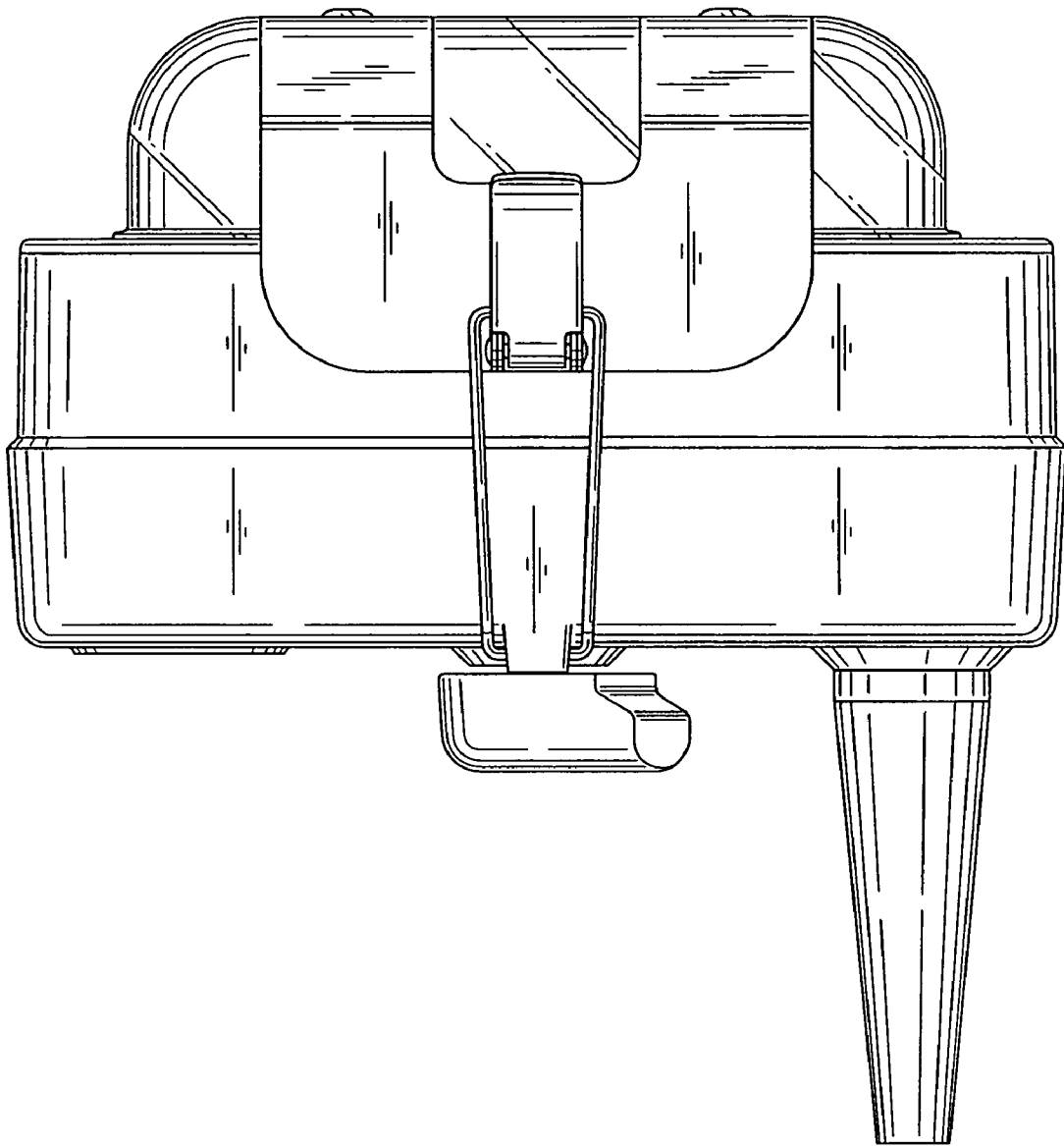


FIG. 6

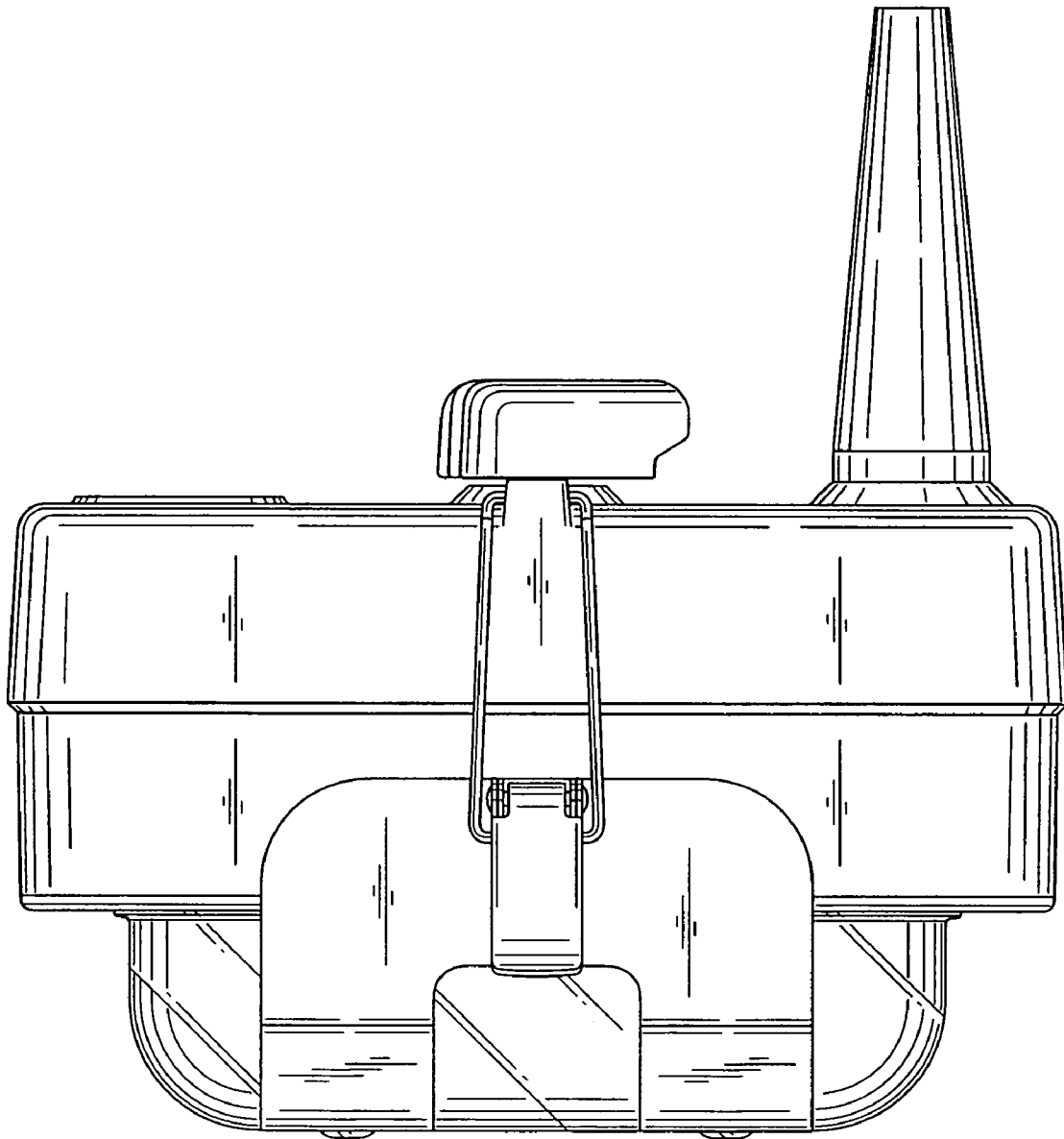


FIG. 7