



US0D1051049S

(12) **United States Design Patent**
Liu

(10) **Patent No.:** **US D1,051,049 S**

(45) **Date of Patent:** **** Nov. 12, 2024**

(54) **WIRELESS CHARGER**

(71) Applicant: **Shenzhen Yifeng Intelligent Technology Co., Ltd.**, Shenzhen (CN)

(72) Inventor: **Ning Liu**, Shenzhen (CN)

(73) Assignee: **Shenzhen Yifeng Intelligent Technology Co., Ltd.**, Shenzhen (CN)

(**) Term: **15 Years**

(21) Appl. No.: **29/873,013**

(22) Filed: **Mar. 23, 2023**

(30) **Foreign Application Priority Data**

Feb. 10, 2023 (CN) 202330042283.6

(51) **LOC (14) Cl.** **13-02**

(52) **U.S. Cl.**
USPC **D13/108**

(58) **Field of Classification Search**
USPC D13/103, 107, 108, 118, 119, 184, 199;
D14/447, 251, 252, 253
CPC H02J 7/0044; H02J 7/0045; H04B 1/3883
See application file for complete search history.

(56) **References Cited**

U.S. PATENT DOCUMENTS

D688,235 S *	8/2013	Song	D14/253
D772,812 S *	11/2016	Choe	D13/108
D787,441 S *	5/2017	Lee	D13/108
D859,308 S *	9/2019	Connell	D13/108
D896,816 S *	9/2020	Qiu	D14/434
D897,953 S *	10/2020	Chen	D13/108
D913,919 S *	3/2021	Wang	D13/108
D915,276 S *	4/2021	Peng	D13/108
D931,208 S *	9/2021	Liao	D14/252
D934,796 S *	11/2021	Liao	D13/108
D969,076 S *	11/2022	Li	D13/108

D974,296 S *	1/2023	Zhang	D13/108
D979,495 S *	2/2023	Sun	D13/108
D1,000,382 S *	10/2023	Ferber	D13/108
D1,019,549 S *	3/2024	Lin	D13/108
D1,022,896 S *	4/2024	Liu	D13/108

(Continued)

FOREIGN PATENT DOCUMENTS

EM 015002481 * 11/2022

OTHER PUBLICATIONS

Barpeyou Wireless Charging Station. Found online Apr. 30, 2024 at amazon.com. Reference dated Jun. 15, 2023. Retrieved from <https://www.amazon.com/dp/B0C61FRPMF/?th=1>. (Year: 2023).*

(Continued)

Primary Examiner — Shawn T Gingrich
Assistant Examiner — Amanda Christensen
(74) *Attorney, Agent, or Firm* — Nitin Kaushik

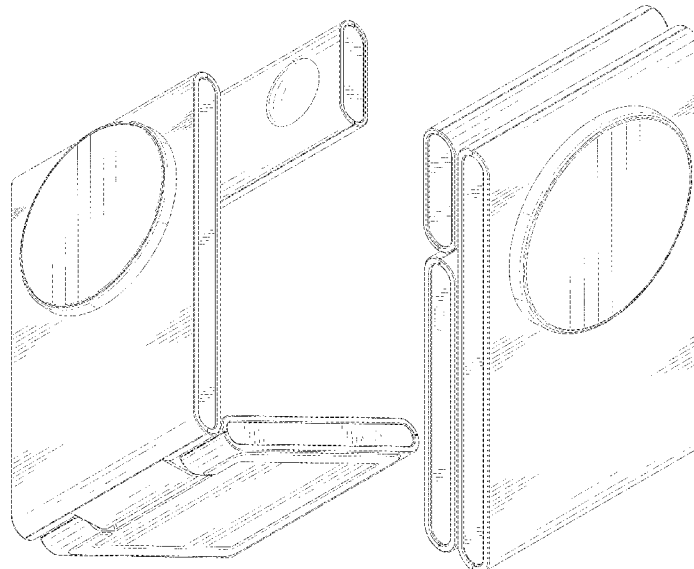
(57) **CLAIM**

The ornamental design for a wireless charger, as shown and described.

DESCRIPTION

FIG. 1 is a top perspective view of a wireless charger, showing my new design;
FIG. 2 is a bottom perspective view thereof;
FIG. 3 is a front view thereof;
FIG. 4 is a rear view thereof;
FIG. 5 is a left side view thereof;
FIG. 6 is a right side view thereof;
FIG. 7 is a top view thereof;
FIG. 8 is a bottom view thereof;
FIG. 9 is a perspective view showing the wireless charger in a folded state; and,
FIG. 10 is a perspective view thereof.
The broken lines in the drawings illustrate the portions of the wireless charger, which form no part of the claimed design.

1 Claim, 10 Drawing Sheets



(56)

References Cited

U.S. PATENT DOCUMENTS

2010/0317413 A1* 12/2010 Tan H02J 7/35
455/573
2022/0247453 A1* 8/2022 Chiyo H02J 50/005
2023/0069686 A1* 3/2023 Liao F16M 13/00
2023/0075001 A1* 3/2023 Jacobsen F16M 11/10

OTHER PUBLICATIONS

Sikai Case Wireless Charger. Found online Apr. 30, 2024 at amazon.com. Reference dated Aug. 23, 2023. Retrieved from <https://www.amazon.com/SIKAI-CASE-Wireless-Magnetic-Foldable/dp/B0CF5G1325>. (Year: 2023).*

HMCASE 3-in-1 Folding Wireless Charging Stand. Found online Apr. 30, 2024 at youtube.com. Reference dated Sep. 21, 2023. Retrieved from <https://www.youtube.com/watch?v=SWIGBYqLQeg> (Year: 2023).*

Yifeng M5 Magnetic Wireless Charger. Found online Apr. 30, 2024 at youtube.com. Reference dated May 20, 2023. Retrieved from <https://www.youtube.com/watch?v=rtzLLSfmwvU> (Year: 2023).*

* cited by examiner

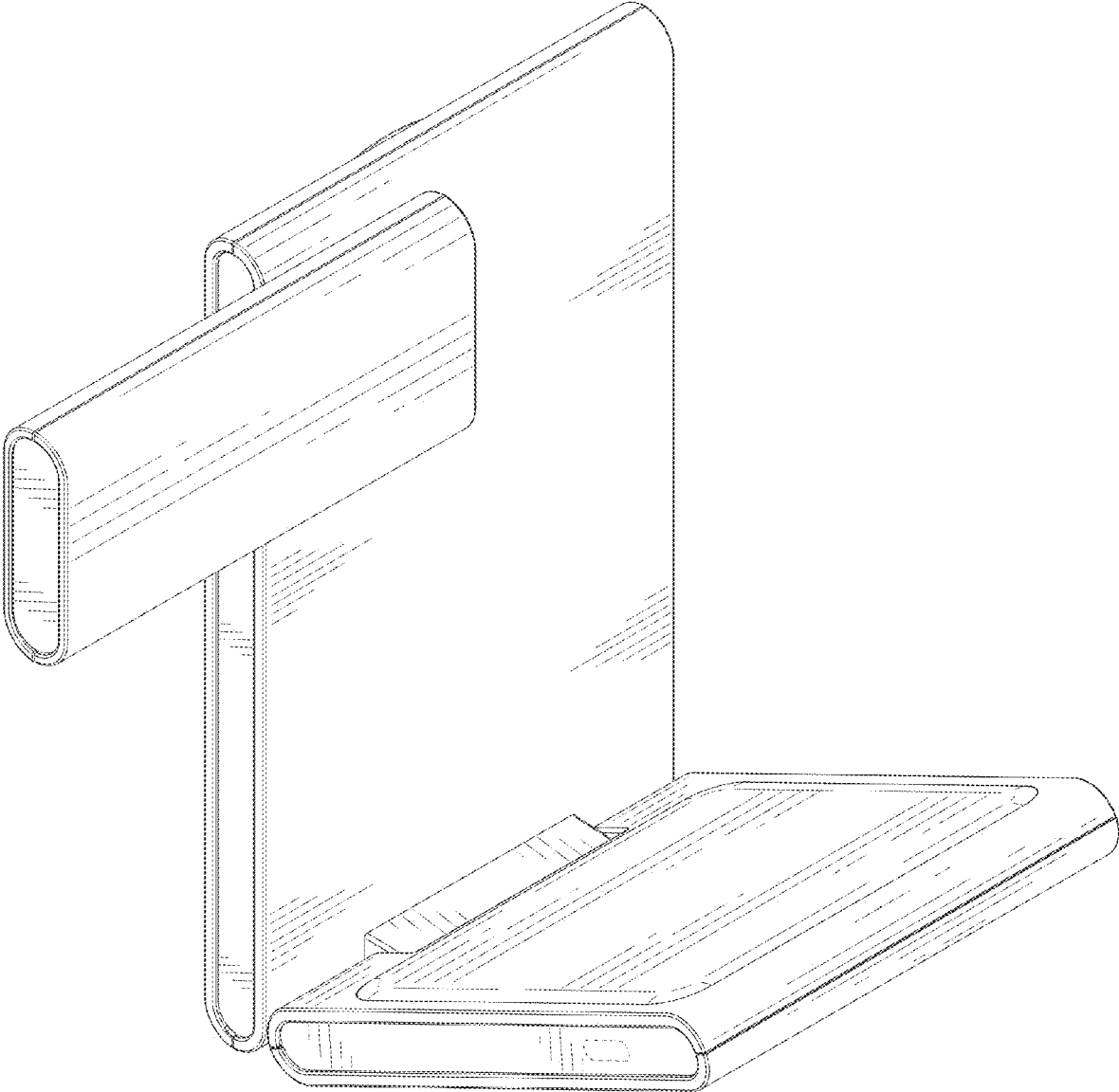


FIG. 1

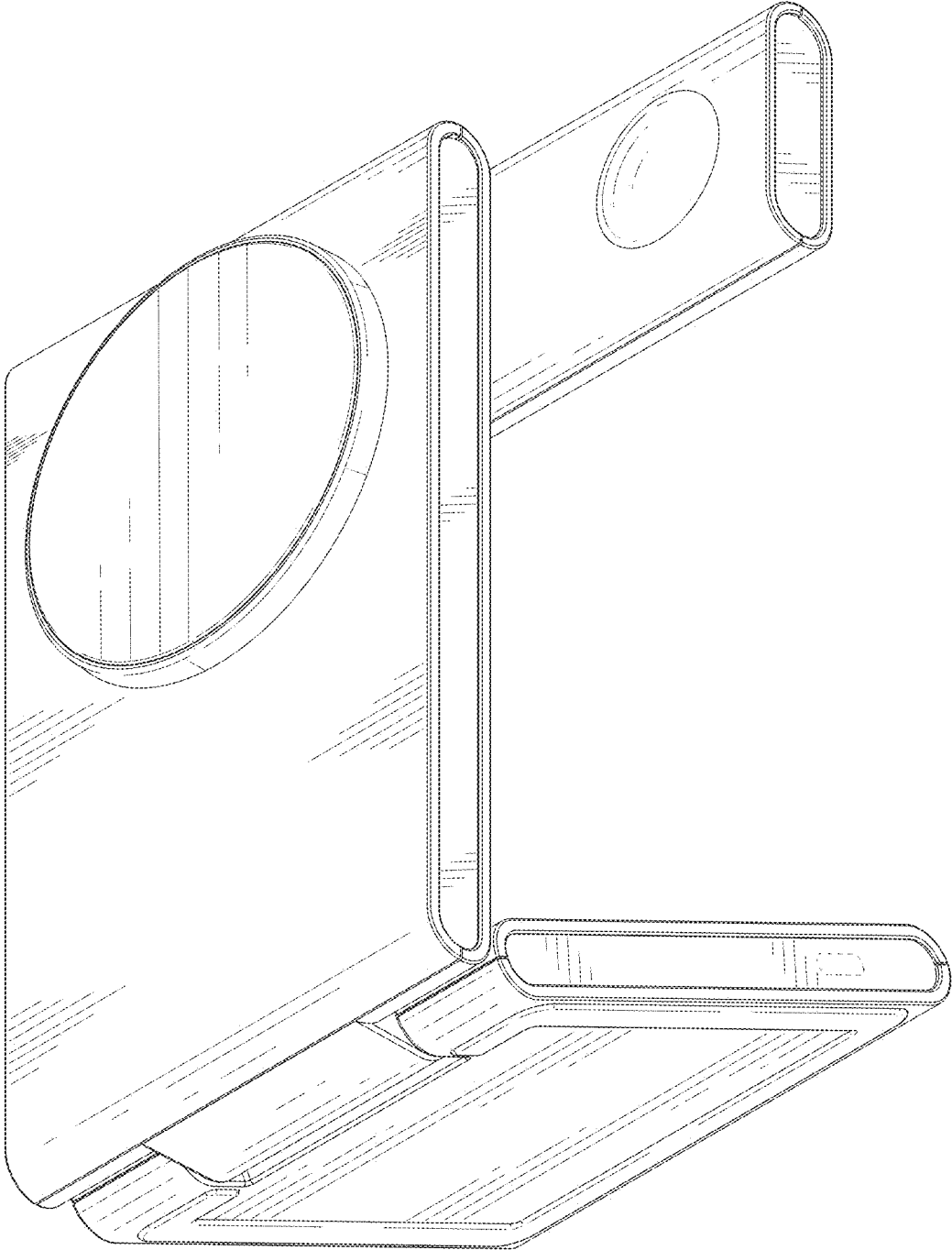


FIG. 2



FIG. 3

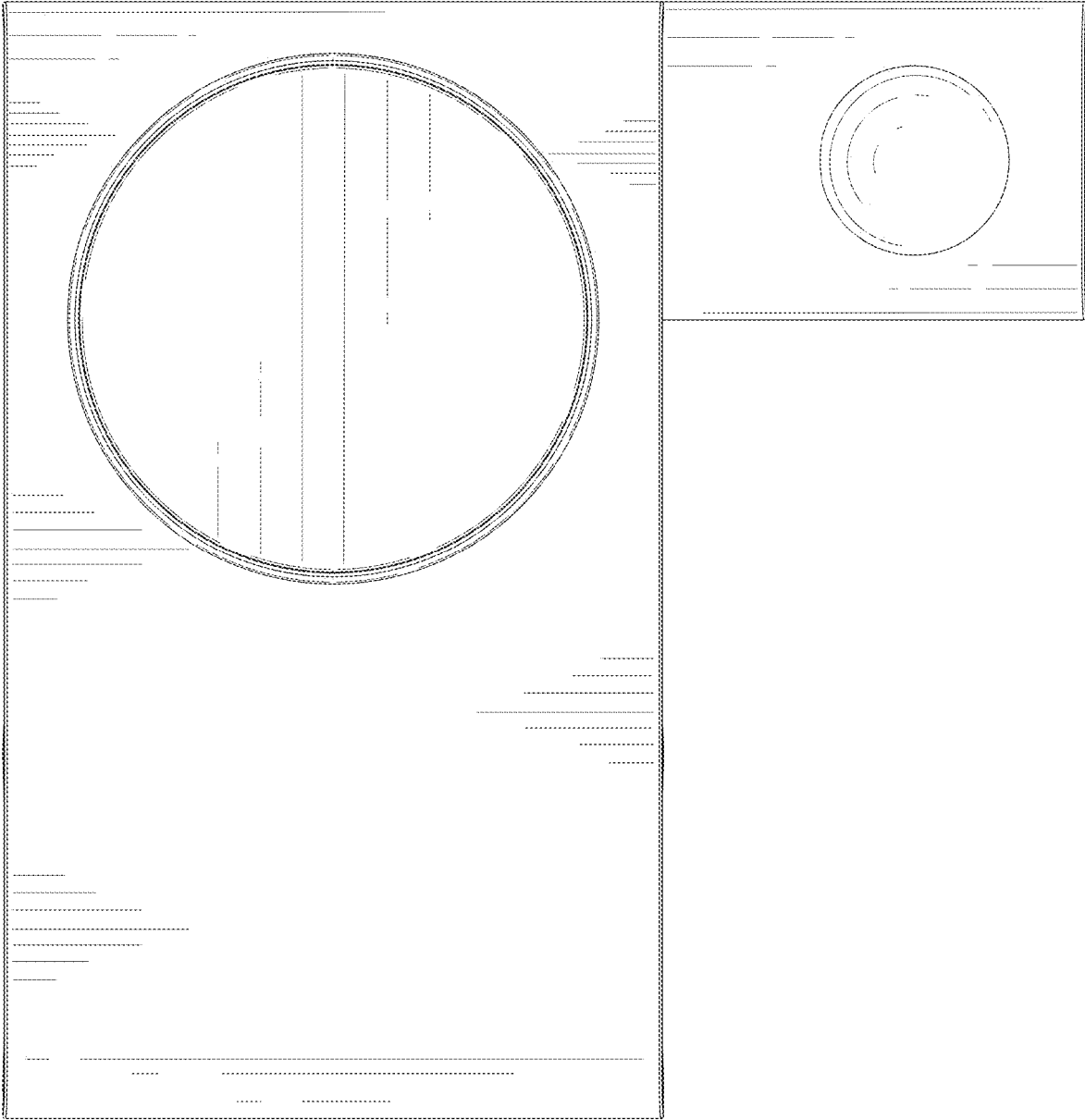


FIG. 4

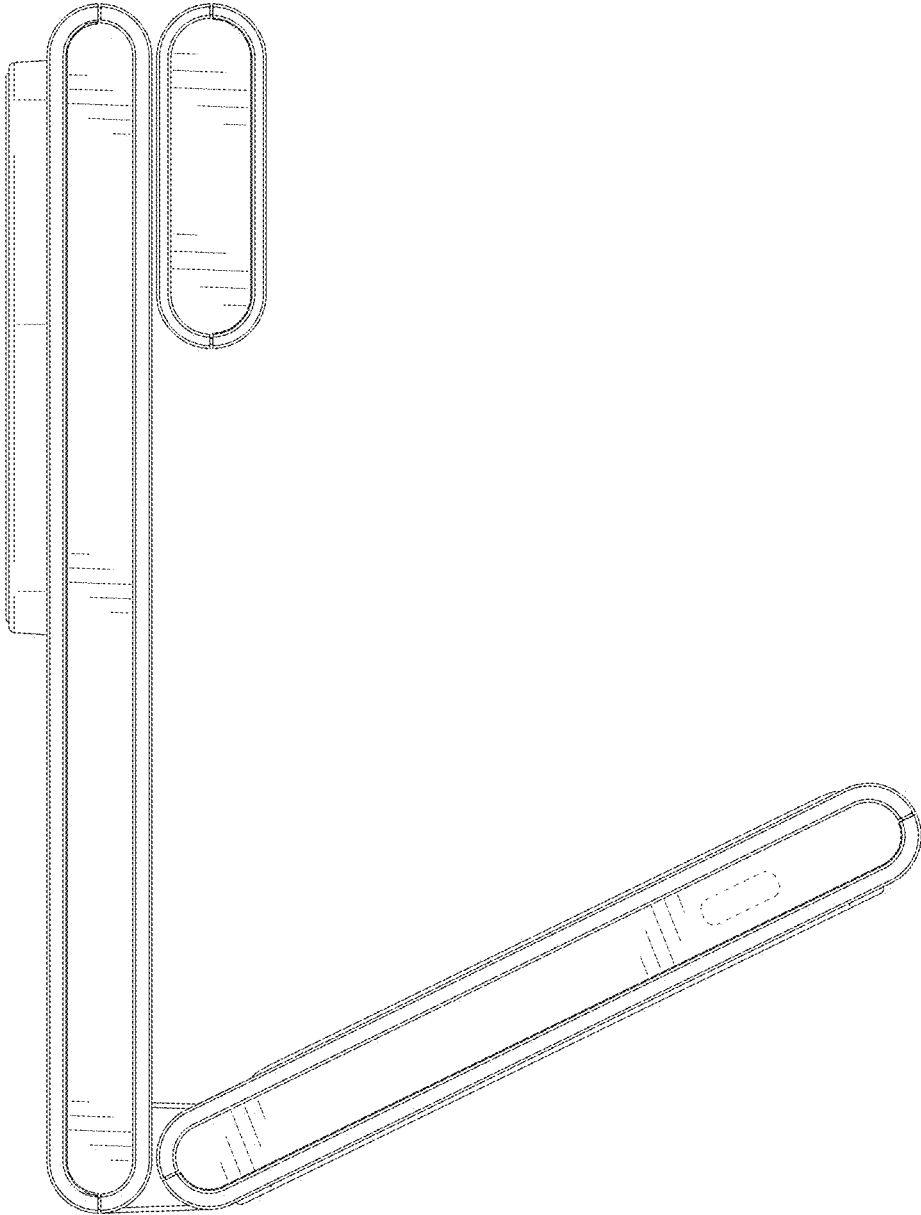


FIG. 5

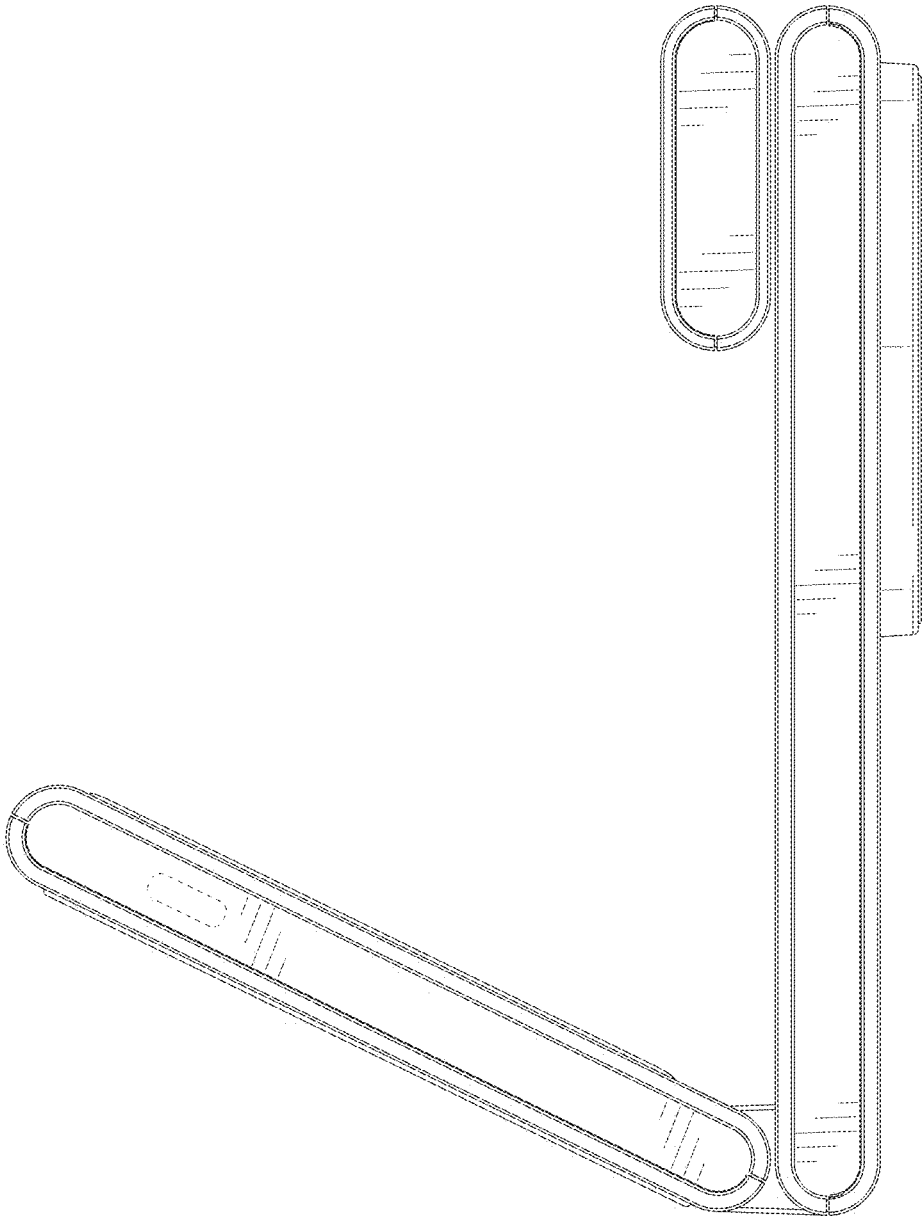


FIG. 6

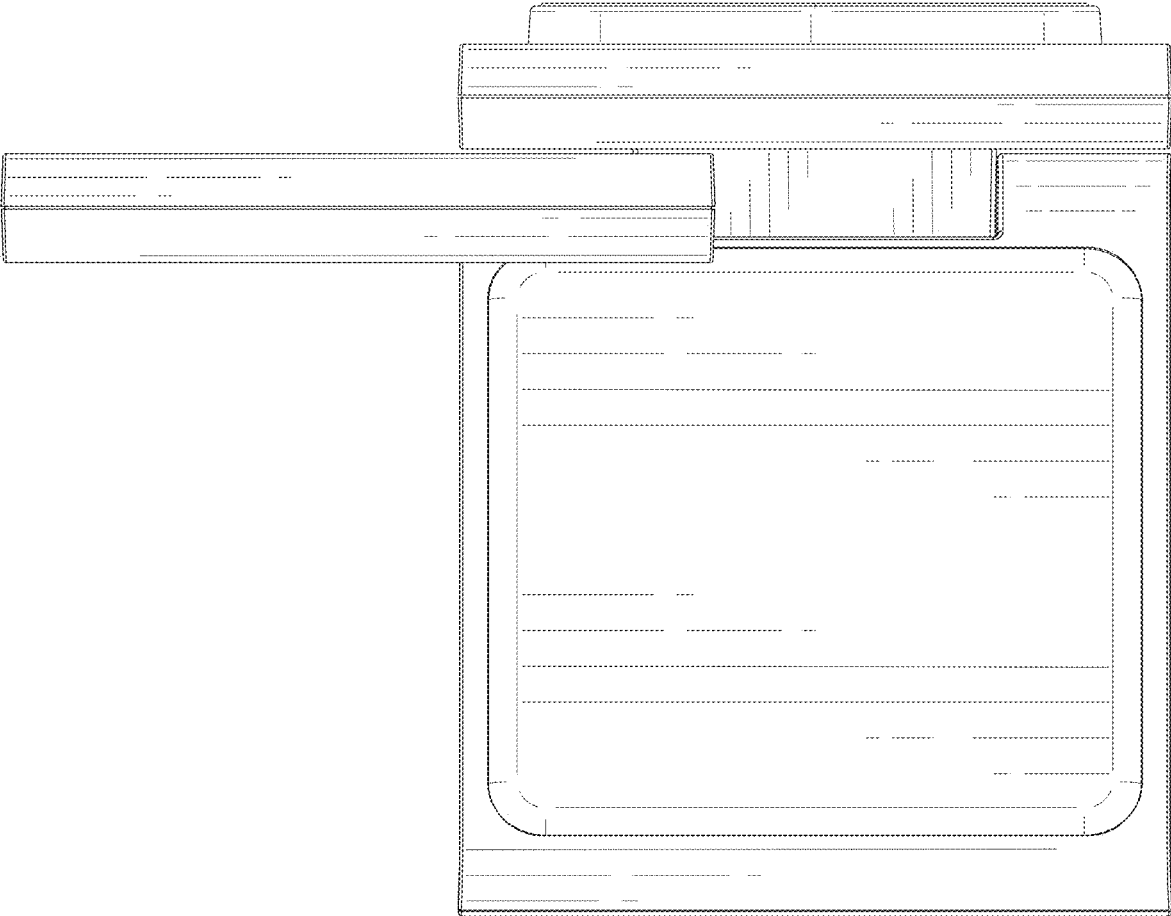


FIG. 7

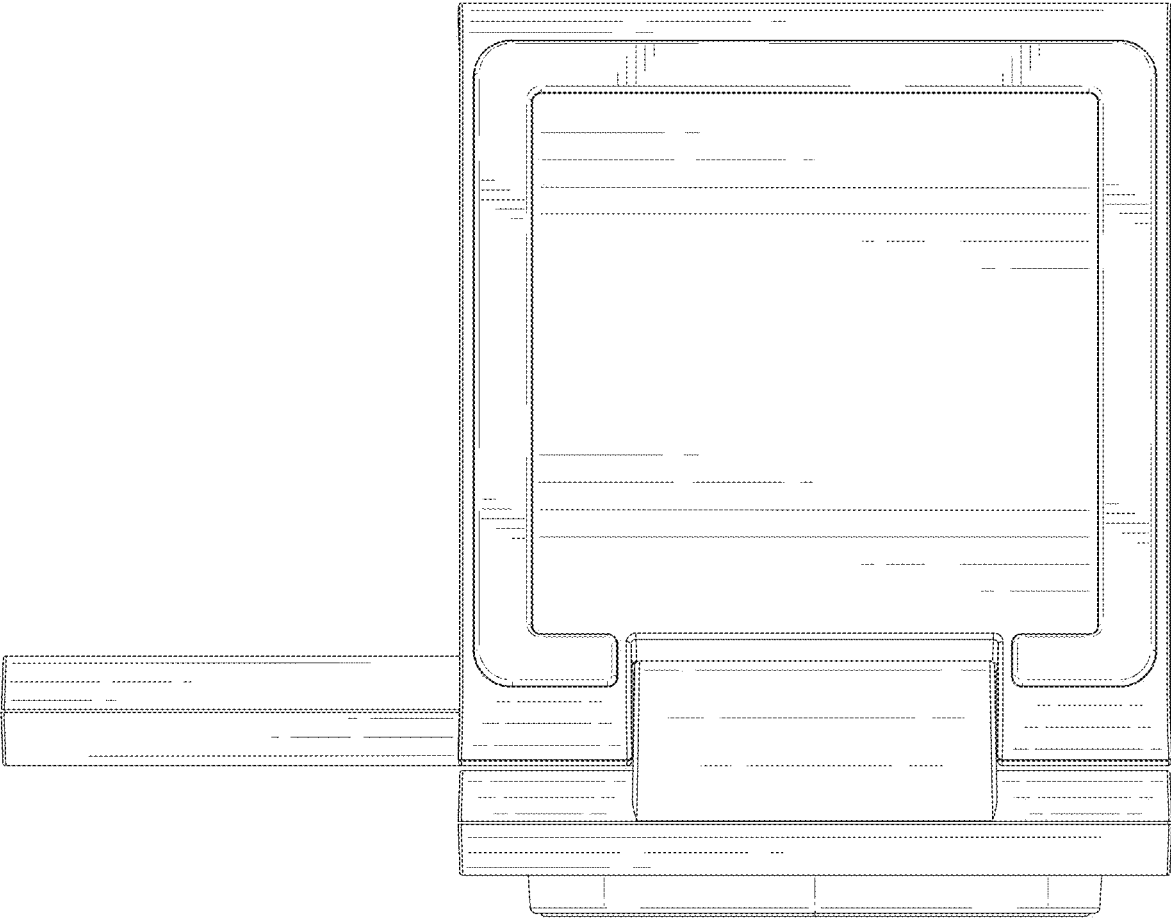


FIG. 8

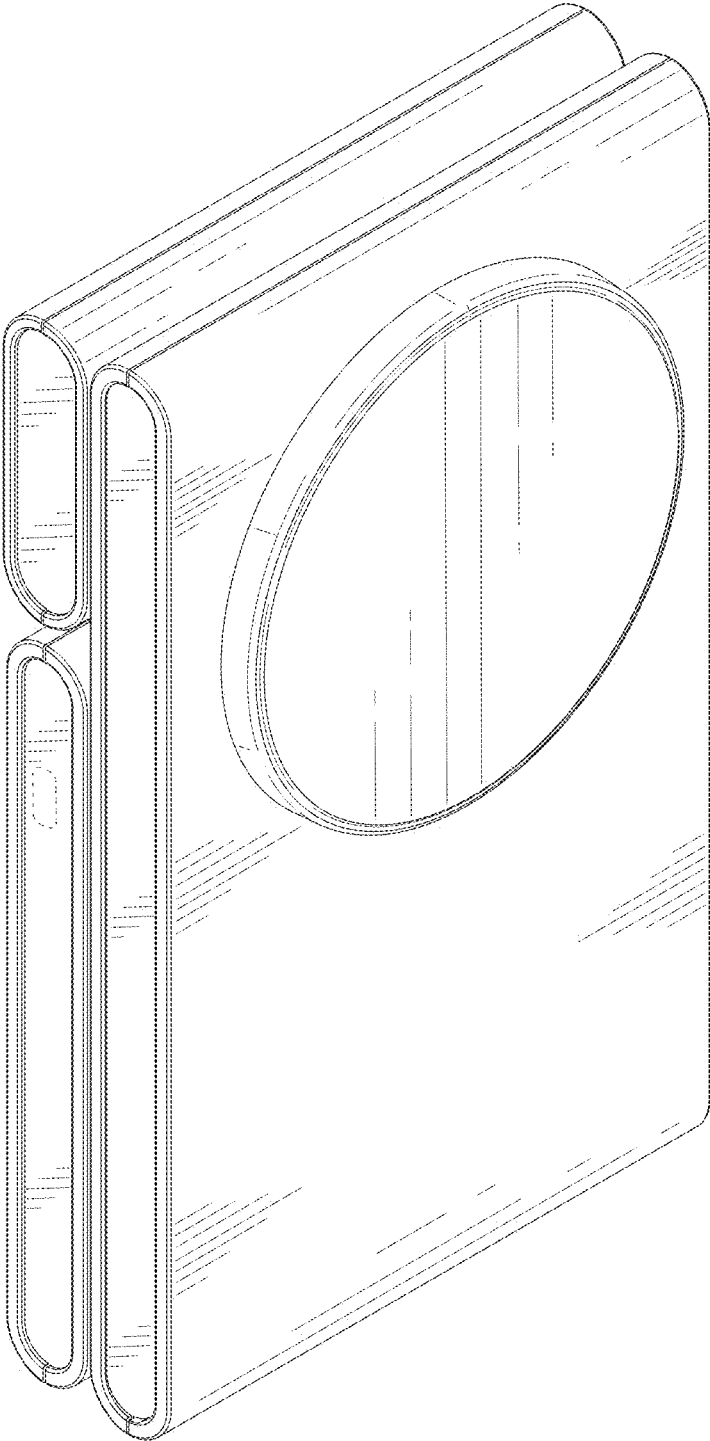


FIG. 9

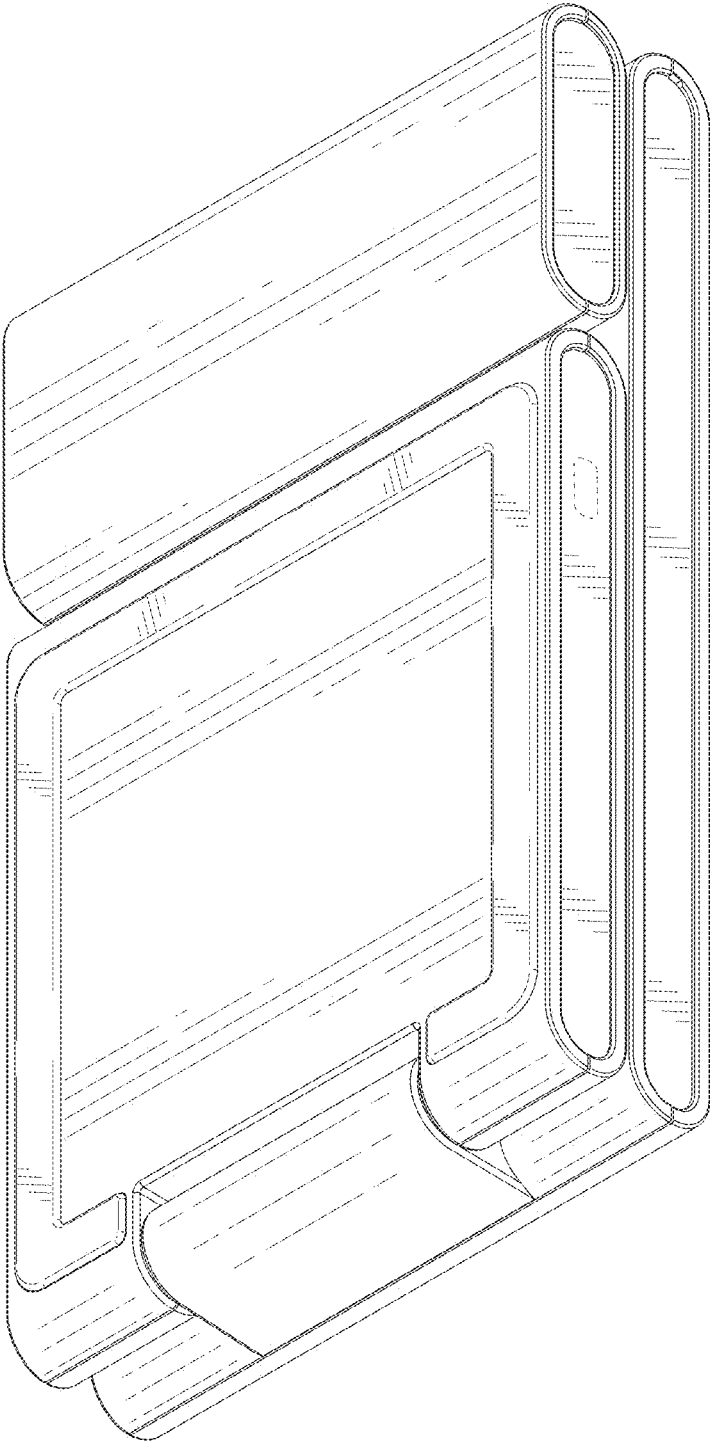


FIG. 10