

(19) World Intellectual Property Organization
International Bureau



(43) International Publication Date
7 April 2011 (07.04.2011)

PCT

(10) International Publication Number
WO 2011/041448 A3

(51) International Patent Classification:

F16L 21/08 (2006.01) F16L 23/16 (2006.01)
F16L 21/06 (2006.01) F16L 23/036 (2006.01)
F16L 21/02 (2006.01) F16L 17/02 (2006.01)

53534 (US). SCHELLIN, Robert [US/US]; 1224 West Milwaukee St., Stoughton, Wisconsin 53589 (US).

(21) International Application Number:

PCT/US2010/050771

(74) Agents: MASSEY, Bryan J. et al.; 8 East Broadway, Suite 600, Salt Lake City, Utah 84111 (US).

(22) International Filing Date:

29 September 2010 (29.09.2010)

(81) Designated States (unless otherwise indicated, for every kind of national protection available): AE, AG, AL, AM, AO, AT, AU, AZ, BA, BB, BG, BH, BR, BW, BY, BZ, CA, CH, CL, CN, CO, CR, CU, CZ, DE, DK, DM, DO, DZ, EC, EE, EG, ES, FI, GB, GD, GE, GH, GM, GT, HN, HR, HU, ID, IL, IN, IS, JP, KE, KG, KM, KN, KP, KR, KZ, LA, LC, LK, LR, LS, LT, LU, LY, MA, MD, ME, MG, MK, MN, MW, MX, MY, MZ, NA, NG, NI, NO, NZ, OM, PE, PG, PH, PL, PT, RO, RS, RU, SC, SD, SE, SG, SK, SL, SM, ST, SV, SY, TH, TJ, TM, TN, TR, TT, TZ, UA, UG, US, UZ, VC, VN, ZA, ZM, ZW.

(25) Filing Language:

English

(26) Publication Language:

English

(30) Priority Data:

61/246,842 29 September 2009 (29.09.2009) US

(71) Applicant (for all designated States except US): CUMMINS IP, INC. [US/US]; 1400-73rd Avenue NE, Minneapolis, Minnesota 55432 (US).

(72) Inventors; and

(75) Inventors/Applicants (for US only): DROST, Jason [US/US]; 990 Stonefield Drive, Edgerton, Wisconsin

(84) Designated States (unless otherwise indicated, for every kind of regional protection available): ARIPO (BW, GH, GM, KE, LR, LS, MW, MZ, NA, SD, SL, SZ, TZ, UG, ZM, ZW), Eurasian (AM, AZ, BY, KG, KZ, MD, RU, TJ, TM), European (AL, AT, BE, BG, CH, CY, CZ, DE, DK, EE, ES, FI, FR, GB, GR, HR, HU, IE, IS, IT, LT, LU,

[Continued on next page]

(54) Title: SPHERICAL FLANGE JOINT

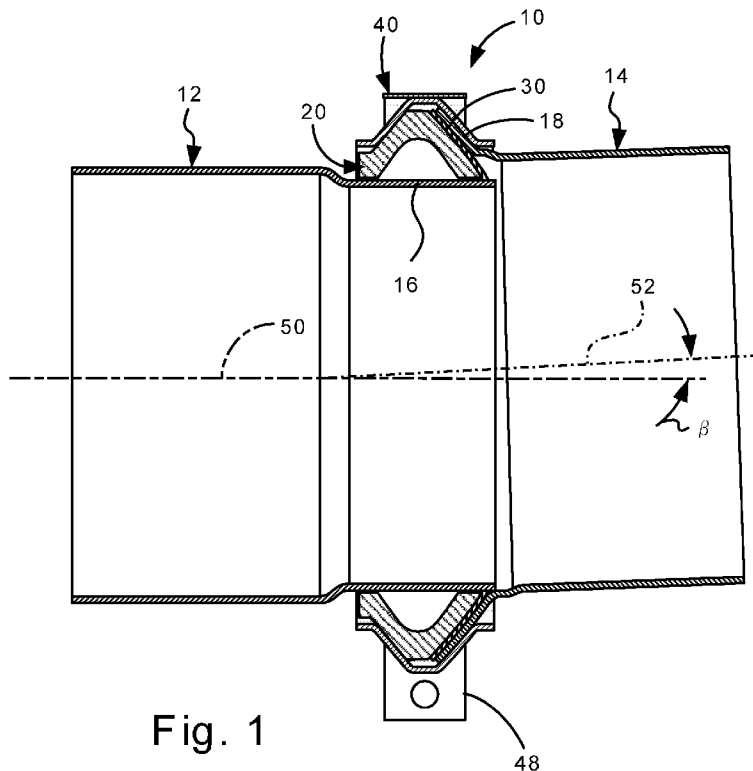


Fig. 1

(57) Abstract: According to one embodiment, a flange joint (10) for joining a first pipe (12) to a second pipe (14) includes an adapter (20) coupled to the first pipe. The adapter includes a convex surface (24). The flange joint also includes a gasket (30) with a first concave surface (34) and a second convex surface (36). The first concave surface of the gasket is matingly engageable with the convex surface of the adapter. The second convex surface is matingly engageable with the second pipe. The gasket is supported on the first pipe. The flange joint further includes a clamp (40) that includes a concave surface (80) that is matingly engageable with the second pipe to secure the gasket to the adapter.



WO 2011/041448 A3

LV, MC, MK, MT, NL, NO, PL, PT, RO, SE, SI, SK, (88) Date of publication of the international search report:
SM, TR), OAPI (BF, BJ, CF, CG, CI, CM, GA, GN, GQ, 6 October 2011
GW, ML, MR, NE, SN, TD, TG).

Published:

— with international search report (Art. 21(3))

A. CLASSIFICATION OF SUBJECT MATTER

F16L 21/08(2006.01)i, F16L 21/06(2006.01)i, F16L 21/02(2006.01)i, F16L 23/16(2006.01)i, F16L 23/036(2006.01)i, F16L 17/02(2006.01)i

According to International Patent Classification (IPC) or to both national classification and IPC

B. FIELDS SEARCHED

Minimum documentation searched (classification system followed by classification symbols)

F16L 21/08; F16L 51/00; F16L 19/04; F16L 19/02; F16L 17/02; F16L 27/10; F16L 21/06

Documentation searched other than minimum documentation to the extent that such documents are included in the fields searched

Korean utility models and applications for utility models

Japanese utility models and applications for utility models

Electronic data base consulted during the international search (name of data base and, where practicable, search terms used)

eKOMPASS(KIPO internal) & Keywords : 'Spherical', 'Flange' and 'Joint'

C. DOCUMENTS CONSIDERED TO BE RELEVANT

Category*	Citation of document, with indication, where appropriate, of the relevant passages	Relevant to claim No.
A	JP 09-133276 A (CALSONIC CORP.) 20 May 1997 See fig. 1.	1-20
A	JP 2006-009914 A (CALSONIC KANSEI CORP.) 12 January 2006 See fig. 2. and fig. 3.	1-20
A	KR 10-0904419 B1 (KIM, SU GEN) 26 June 2009 See fig. 4a.	1-20
A	KR 10-0776367 B1 (SAM JUNG DCP CO., LTD.) 15 November 2007 See fig. 2.	1-20

Further documents are listed in the continuation of Box C.

See patent family annex.

* Special categories of cited documents:

"A" document defining the general state of the art which is not considered to be of particular relevance

"E" earlier application or patent but published on or after the international filing date

"L" document which may throw doubts on priority claim(s) or which is cited to establish the publication date of citation or other special reason (as specified)

"O" document referring to an oral disclosure, use, exhibition or other means

"P" document published prior to the international filing date but later than the priority date claimed

"T" later document published after the international filing date or priority date and not in conflict with the application but cited to understand the principle or theory underlying the invention

"X" document of particular relevance; the claimed invention cannot be considered novel or cannot be considered to involve an inventive step when the document is taken alone

"Y" document of particular relevance; the claimed invention cannot be considered to involve an inventive step when the document is combined with one or more other such documents, such combination being obvious to a person skilled in the art

"&" document member of the same patent family

Date of the actual completion of the international search

01 JUNE 2011 (01.06.2011)

Date of mailing of the international search report

01 JUNE 2011 (01.06.2011)

Name and mailing address of the ISA/KR



Korean Intellectual Property Office
Government Complex-Daejeon, 139 Seonsa-ro, Seo-gu, Daejeon 302-701, Republic of Korea

Facsimile No. 82-42-472-7140

Authorized officer

CHUNG Woo Jin

Telephone No. 82-42-481-8427



INTERNATIONAL SEARCH REPORT

Information on patent family members

International application No.

PCT/US2010/050771

Patent document cited in search report	Publication date	Patent family member(s)	Publication date
JP 09-133276 A	20.05.1997	None	
JP 2006-009914 A	12.01.2006	None	
KR 10-0904419 B1	26.06.2009	None	
KR 10-0776367 B1	15.11.2007	None	