



US0D1035933S

(12) **United States Design Patent**
Zhou et al.

(10) **Patent No.:** **US D1,035,933 S**

(45) **Date of Patent:** **** Jul. 16, 2024**

- (54) **LED LAMP FOR VEHICLES**
- (71) Applicant: **Focus Innovation Group LLC**,
Bastrop, TX (US)
- (72) Inventors: **Xiaozhong Zhou**, Zhongshan (CN);
Xin Dong, Bastrop, TX (US)
- (73) Assignee: **Focus Innovation Group LLC**,
Bastrop, TX (US)
- (**) Term: **15 Years**
- (21) Appl. No.: **29/808,527**
- (22) Filed: **Sep. 20, 2021**

D808,553 S *	1/2018	Shengjin	D26/28
D820,485 S	6/2018	Yan	
D824,052 S	7/2018	Conte et al.	
D825,085 S	8/2018	Jian	
D825,796 S	8/2018	Yan	
D841,205 S	2/2019	Dai	
D845,522 S	4/2019	Xu	
D846,775 S	4/2019	Yan	
D865,238 S	10/2019	Wu	
D867,632 S	11/2019	Wu	
D869,031 S *	12/2019	Zhang	D26/28
D890,370 S	7/2020	Pan	
D898,961 S *	10/2020	Xu	D26/24
D899,639 S *	10/2020	Li	D26/24
D899,640 S *	10/2020	Li	D26/24
D913,550 S *	3/2021	Wang	D26/28
D923,215 S *	6/2021	Wang	D26/28
D929,001 S *	8/2021	Zhang	D26/28

(Continued)

Related U.S. Application Data

- (63) Continuation of application No. 16/420,122, filed on
May 22, 2019, now Pat. No. 11,125,428.
- (51) **LOC (14) Cl.** **26-06**
- (52) **U.S. Cl.**
USPC **D26/28**

- (58) **Field of Classification Search**
USPC D26/1-4, 24, 28-36, 113, 138
CPC F21S 43/14; F21S 41/143; F21S 43/26;
F21S 41/285; F21Y 2115/10; B60Q
1/2607; B60Q 1/44; B60Q 1/143; B60Q
1/04; B60Q 1/30; B60Q 1/34; B60Q
1/2611; B60Q 2300/42; B60Q 1/0041;
B60Q 2300/112; B60Q 1/18; B60Q
2400/30; B60Q 1/0035; B60Q 1/46;
B60Q 1/20; B60Q 1/535; B60Q 1/56;
B60R 1/1207; B60R 2325/306; B60R
2011/004; B60R 2019/525
See application file for complete search history.

(56) **References Cited**

U.S. PATENT DOCUMENTS

- D740,984 S 10/2015 Chen et al.
- D789,577 S 6/2017 Xu

Primary Examiner — Mark A Goodwin
Assistant Examiner — William B Melliar
 (74) *Attorney, Agent, or Firm* — NZ CARR LAW
 OFFICE

(57) **CLAIM**

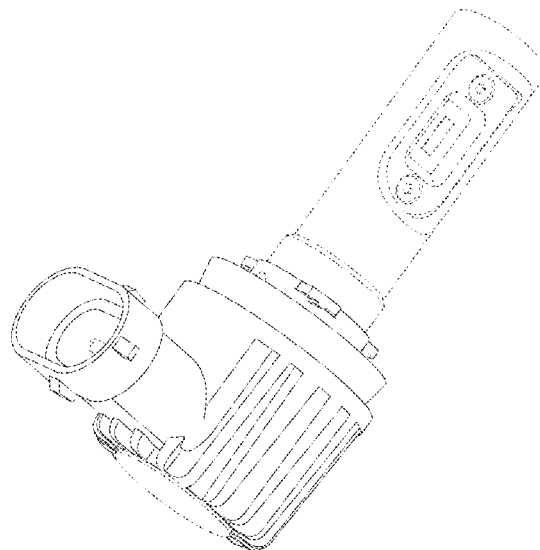
The ornamental design for a LED lamp for vehicles, as shown and described.

DESCRIPTION

FIG. 1 is a front, right perspective view of a LED lamp for vehicles showing our design;
 FIG. 2 is a front, left perspective view thereof;
 FIG. 3 is a front view thereof;
 FIG. 4 is a back view thereof;
 FIG. 5 is a right side view thereof;
 FIG. 6 is a left side view thereof;
 FIG. 7 is a top view thereof; and,
 FIG. 8 is a bottom view.

All broken lines represent portions of the LED lamp for vehicles that form no part of the claimed subject matter.

1 Claim, 8 Drawing Sheets



(56)

References Cited

U.S. PATENT DOCUMENTS

11,125,428	B2 *	9/2021	Zhou	F21K 9/00
D969,369	S *	11/2022	Borgen	D26/28
2019/0360681	A1 *	11/2019	Zhou	F21K 9/00

* cited by examiner

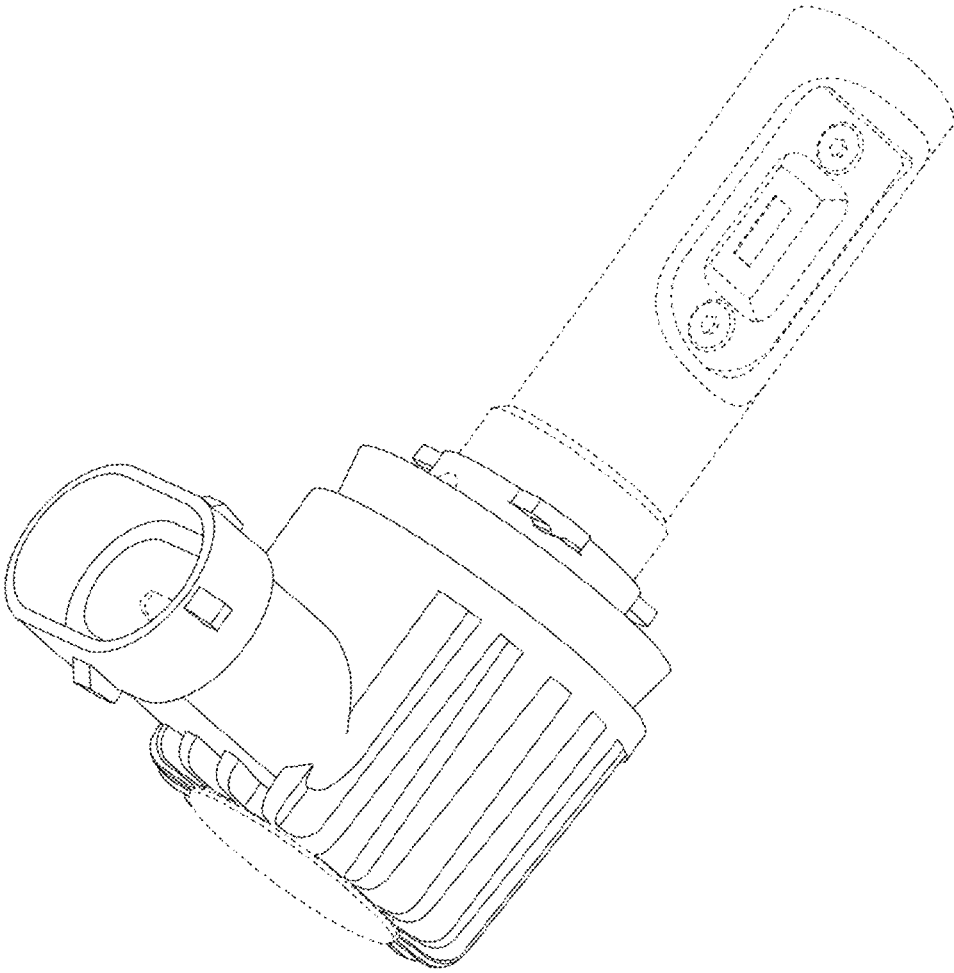


FIG. 1

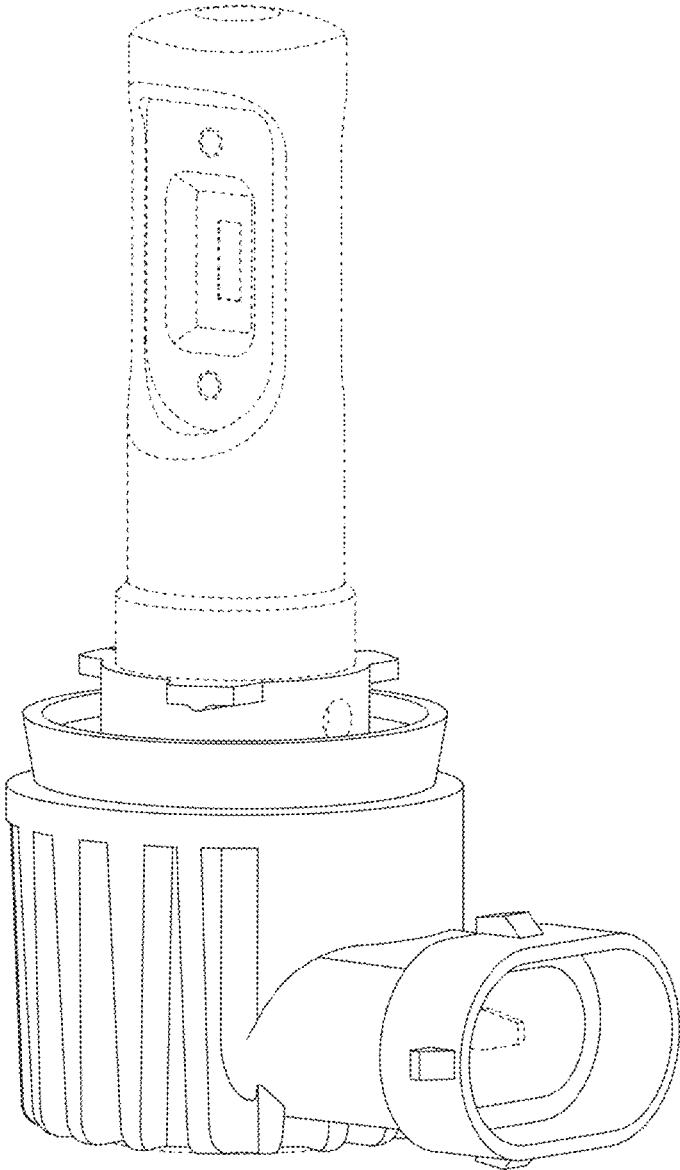


FIG. 2

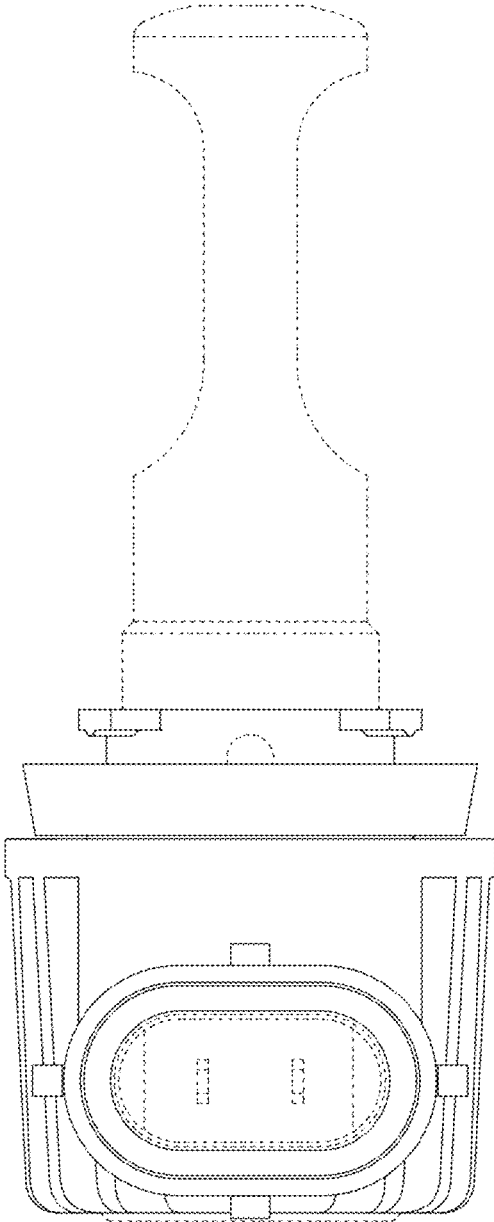


FIG. 3

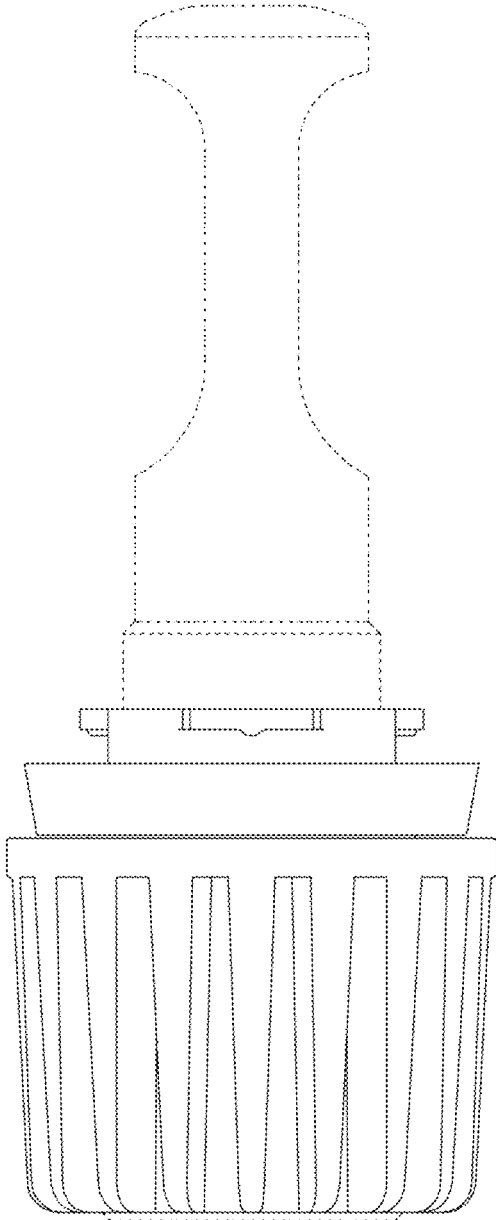


FIG. 4

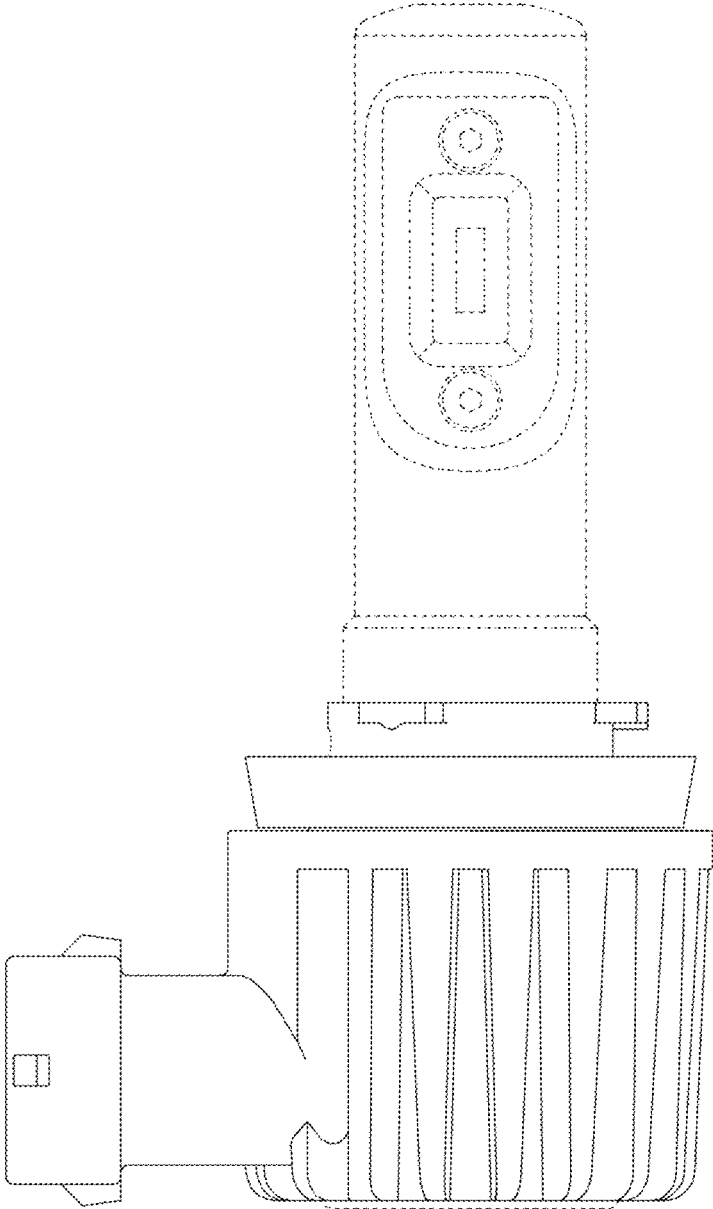


FIG. 5

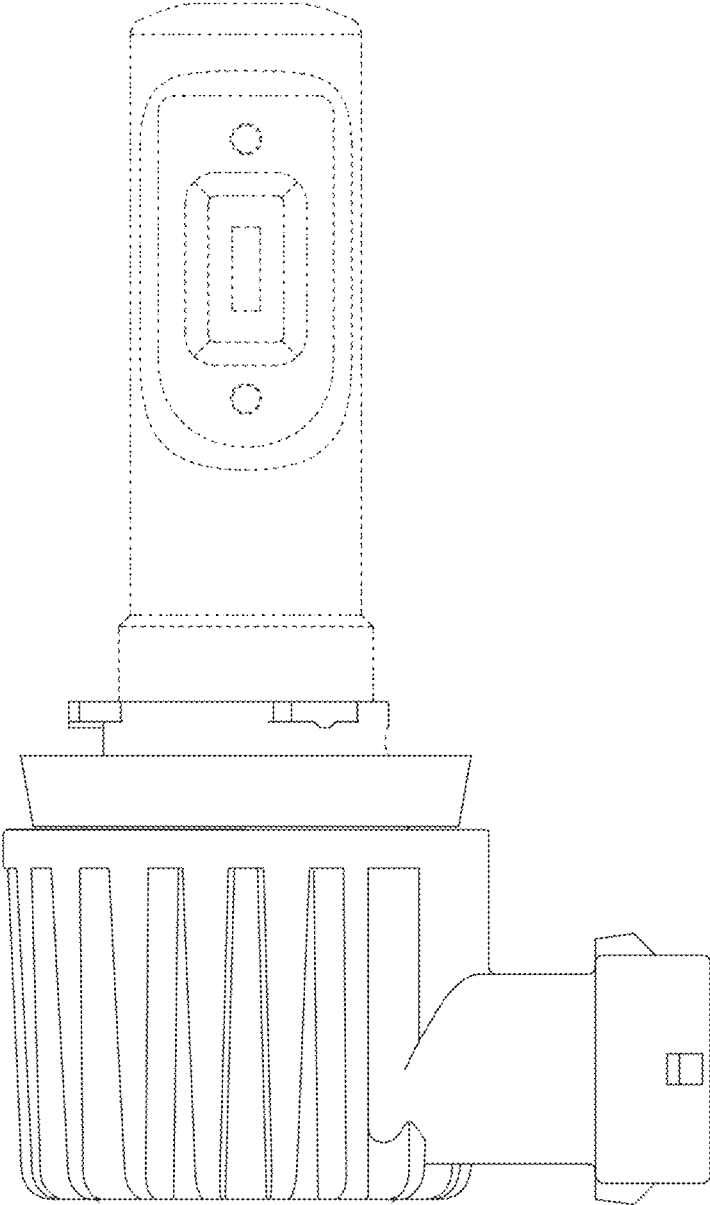


FIG. 6

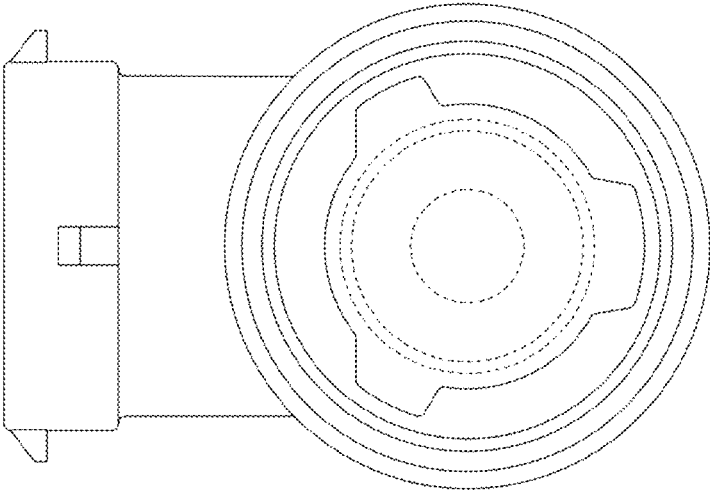


FIG. 7

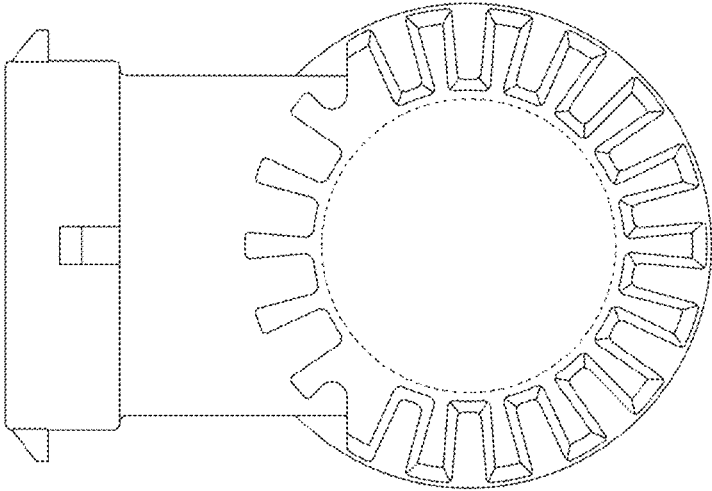


FIG. 8