



US00D748355S

(12) **United States Design Patent**
Sim et al.

(10) **Patent No.:** **US D748,355 S**
(45) **Date of Patent:** **** Jan. 26, 2016**

- (54) **WASHING MACHINE**
- (71) Applicant: **Samsung Electronics Co., Ltd.**,
Suwon-Si, Gyeonggi-Do (KR)
- (72) Inventors: **Hyun-joo Sim**, Seoul (KR); **Cheolyeon Jo**, Seoul (KR); **Dongju Shin**, Seoul (KR)
- (73) Assignee: **Samsung Electronics Co., Ltd.**,
Gyeonggi-Do (KR)
- (**) Term: **14 Years**

- (21) Appl. No.: **29/456,169**
- (22) Filed: **May 29, 2013**

- (30) **Foreign Application Priority Data**
Dec. 7, 2012 (KR) 30-2012-0059148
- (51) **LOC (10) Cl.** **15-05**
- (52) **U.S. Cl.**
USPC **D32/6**
- (58) **Field of Classification Search**
USPC D32/25, 5-10, 28; 68/3 R, 212, 5 R,
68/12.01; D20/6; 34/523-524; 312/31
See application file for complete search history.

(56) **References Cited**

U.S. PATENT DOCUMENTS

D130,835 S *	12/1941	Altofer	D32/6
D164,697 S *	10/1951	Mango	D32/6
D177,011 S *	3/1956	Boldt	D32/6
D300,279 S *	3/1989	Umehara et al.	D32/6
5,437,168 A *	8/1995	Mason et al.	68/3 R
D422,387 S *	4/2000	Mutoh et al.	D32/25
D446,890 S *	8/2001	Cho	D32/6
D460,588 S *	7/2002	Son	D32/6
D492,073 S *	6/2004	Sneddon	D32/6
D503,835 S *	4/2005	Oda	D32/6
D516,258 S *	2/2006	Matsusaki et al.	D32/6
D519,692 S *	4/2006	Jun	D32/6

D537,991 S *	3/2007	Jun	D32/6
D539,995 S *	4/2007	Im	D32/6
D541,491 S *	4/2007	Jun	D32/6
D545,374 S *	6/2007	Gollob	D20/6

(Continued)

FOREIGN PATENT DOCUMENTS

CN	301285153	*	7/2010
CN	301742740	*	6/2011

(Continued)

OTHER PUBLICATIONS

Spin Dryer Cixi Meilie Electrical Appliances Co., Ltd, Announced Mar. 26, 2011, [Site Visited Mar. 2, 2015]http://chinameile.en.alibaba.com/product/306575655-200661962/spin_dryer.html.
Washing Machine 3.0 KG Single Tub for Washing & Spin Dryer (XPB2008 30A), Announced Jan. 10, 2009, [Site Visited Mar. 2, 2015] <http://www.o-digital.com/supplier-catalogs/2227/2290/Washing-Machine-20.html>.

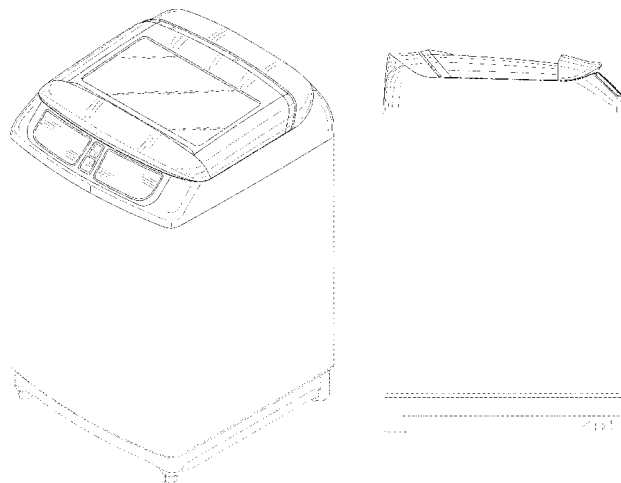
Primary Examiner — Eric Goodman
Assistant Examiner — Luqman McNeil
(74) *Attorney, Agent, or Firm* — Harness, Dickey & Pierce, P.L.C.

(57) **CLAIM**
The ornamental design for a washing machine, as shown and described.

DESCRIPTION

FIG. 1 is the front/right-side/top perspective view of a washing machine showing our new design;
FIG. 2 is the front elevational view thereof;
FIG. 3 is the rear elevational view thereof;
FIG. 4 is the left-side elevational view thereof;
FIG. 5 is the right-side elevational view thereof;
FIG. 6 is the top-side plan view thereof; and,
FIG. 7 is the bottom-side plan view thereof.
The broken lines shown in the drawings represent unclaimed portions of washing machine.

1 Claim, 7 Drawing Sheets



US D748,355 S

Page 2

(56)

References Cited

2008/0011024 A1* 1/2008 Won 68/212
2009/0229320 A1* 9/2009 Yoo et al. 68/3 R

U.S. PATENT DOCUMENTS

D547,915 S * 7/2007 Jun D32/6
D597,712 S * 8/2009 Jeon et al. D32/6
D599,509 S * 9/2009 Jeon et al. D32/6
7,934,400 B2 * 5/2011 Yoo et al. 68/3 R
2006/0107702 A1* 5/2006 Kim 68/3 R

FOREIGN PATENT DOCUMENTS

CN 301840029 * 2/2012
RU 00055894 * 12/2004

* cited by examiner

FIG. 1

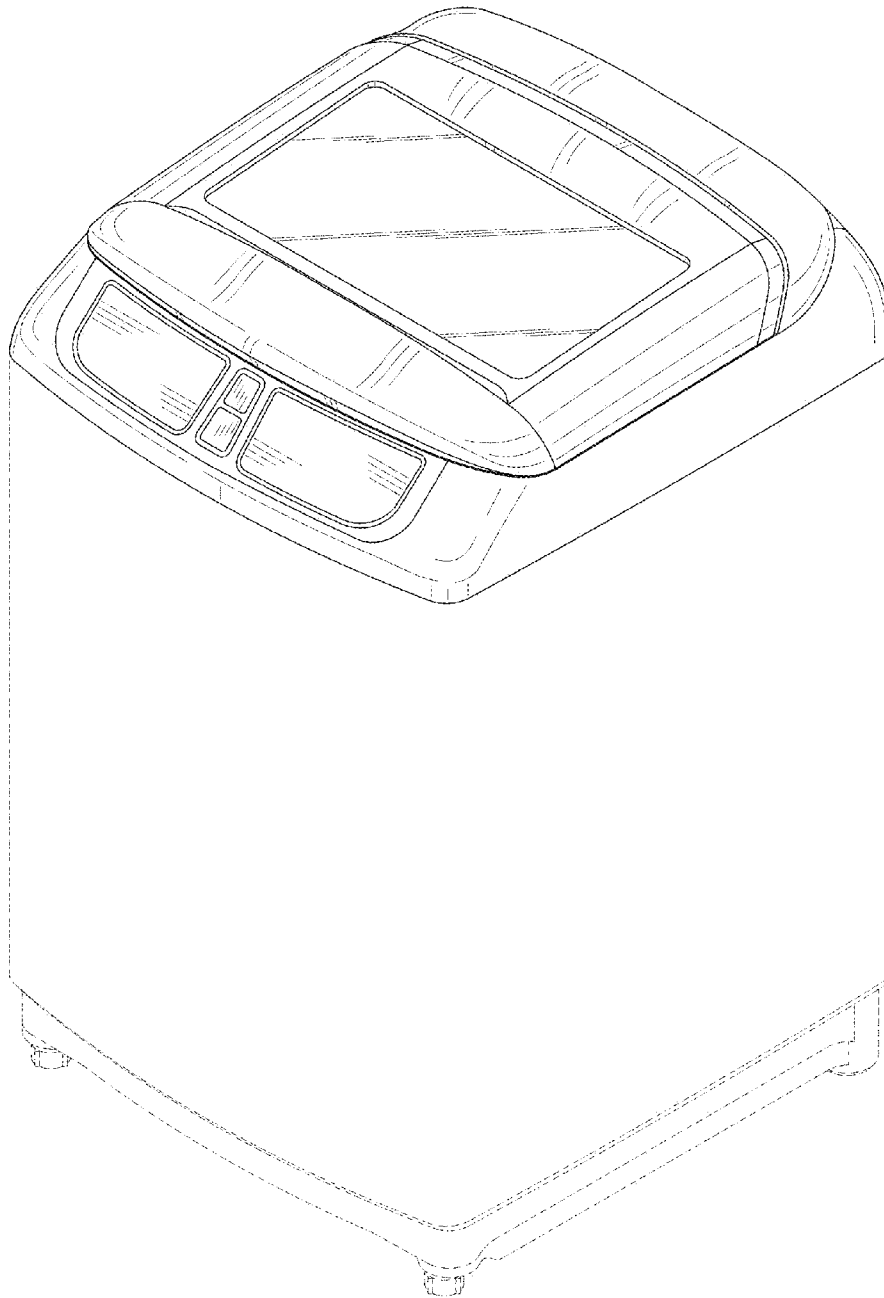


FIG. 2



FIG. 3

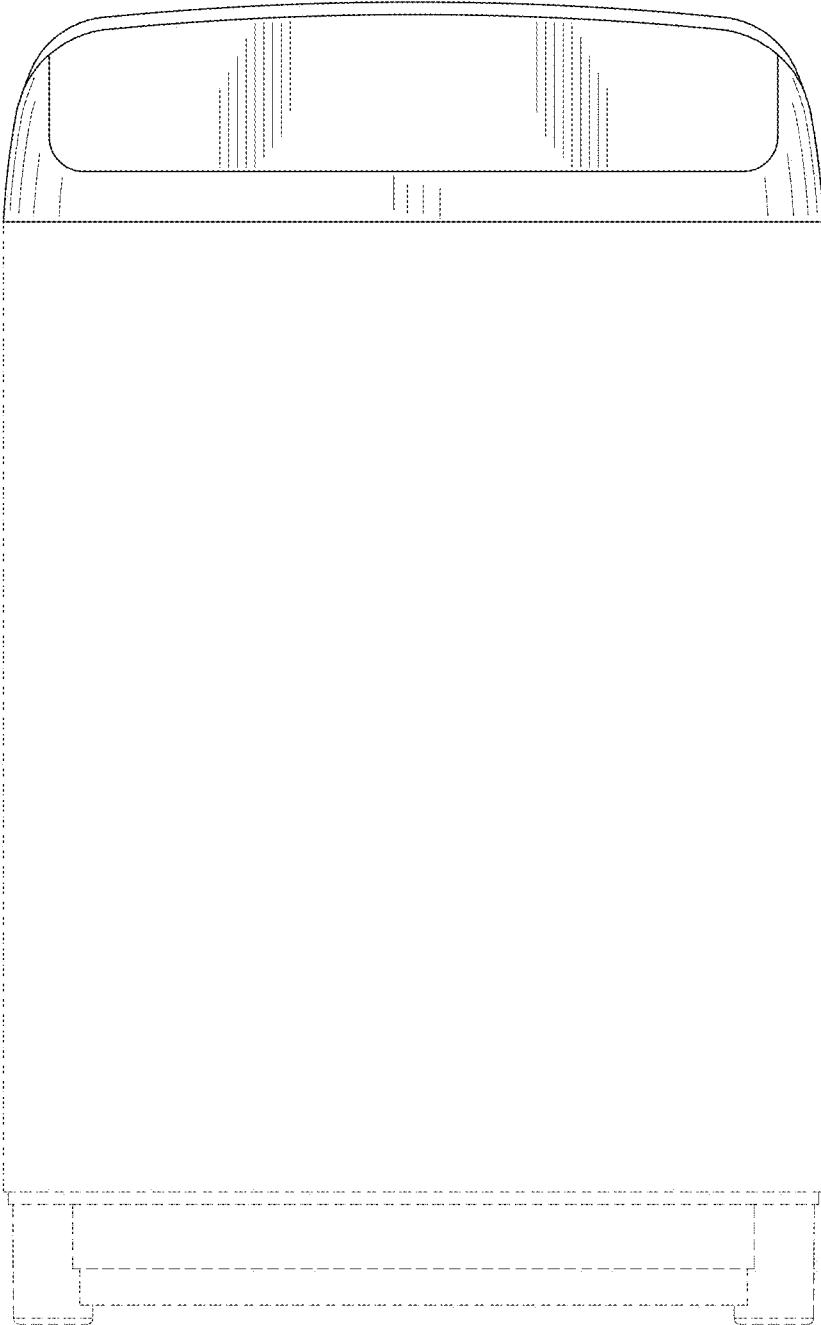


FIG. 4



FIG. 5



FIG. 6

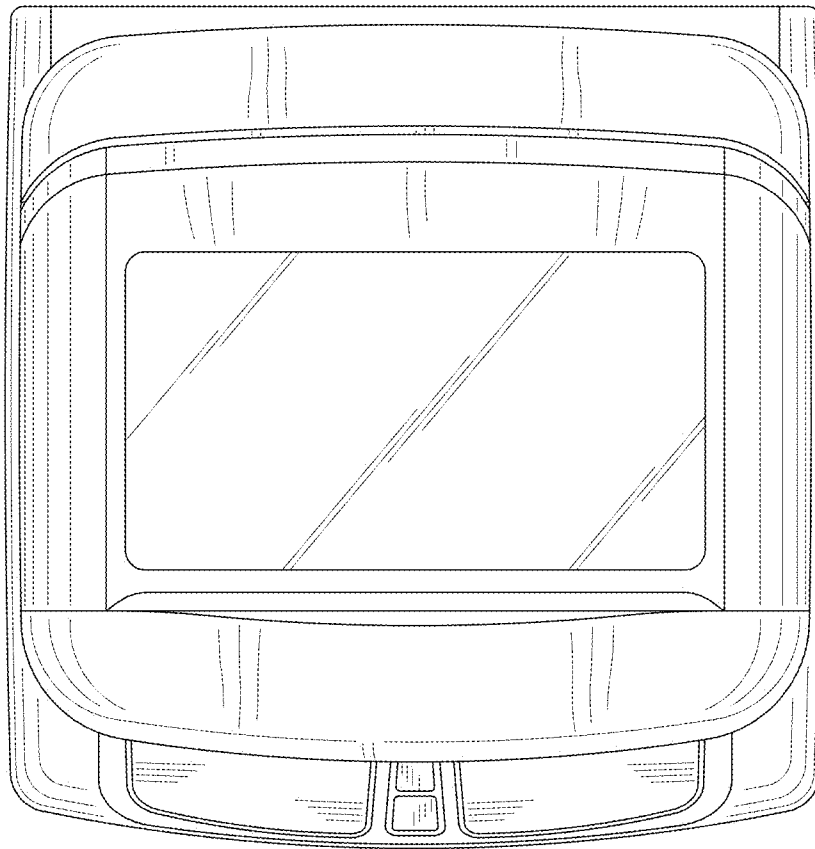


FIG. 7

