



US00D832275S

(12) **United States Design Patent**
Kiernan-Lewis

(10) **Patent No.:** **US D832,275 S**

(45) **Date of Patent:** **** Oct. 30, 2018**

(54) **DISPLAY TABLET MOUNT**

(71) Applicant: **Jeffrey Overall**, Costa Mesa, CA (US)

(72) Inventor: **John Kiernan-Lewis**, Irvine, CA (US)

(73) Assignee: **Jeff Overall**, Fountain Valley, CA (US)

(**) Term: **15 Years**

(21) Appl. No.: **29/643,836**

(22) Filed: **Apr. 12, 2018**

(51) **LOC (11) Cl.** **14-02**

(52) **U.S. Cl.**
USPC **D14/447**; D16/242

(58) **Field of Classification Search**
USPC D16/237-250; D14/224, 229, 238, 251,
D14/253, 432, 439, 447, 451, 457;
D8/300, 306, 316

CPC G03B 17/56; G03B 17/561-17/568; A45F
5/00; A45F 5/10
See application file for complete search history.

D775,684 S 1/2017 Jacob
D797,860 S * 9/2017 Ewing D14/224
D800,821 S * 10/2017 Bergman D16/242
D800,824 S 10/2017 Jacob
9,886,033 B2 * 2/2018 Seydoux G02B 27/0172
D822,028 S * 7/2018 Hackett D14/432

OTHER PUBLICATIONS

CrystalSky Remote Mount | Mavic Remotes. [online] Retrieved Jul. 31, 2018 from URL: <<https://www.polarprofilters.com/collections/dji-mavic-air-filters-and-accessories/products/crystalsky-mavic-mount?variant=5401674383389>>.*
Mavic Pro/Spark Tablet Holder . . . [online] Retrieved Jul. 31, 2018 from URL: <https://www.amazon.com/Powerextra-Adjustable-Extender-Lanyard-Platinum/dp/B0789T3617/ref=sr_1_2_sspa?s=toys-and-games&ie=UTF8&qid=1533059938&sr=1-2-spons&keywords=mavic+pro%2Fspark+tablet+holder&psc=1>.*

* cited by examiner

Primary Examiner — Vy N Koenig

(57) **CLAIM**

The ornamental design for a display tablet mount, as shown and described.

DESCRIPTION

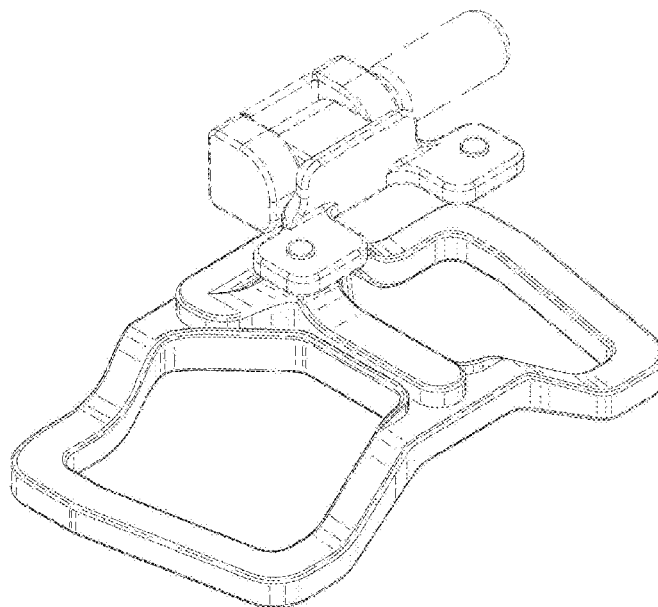
FIG. 1 is a front perspective view of the display tablet mount showing my new design.
FIG. 2 is a front view thereof.
FIG. 3 is a back view thereof.
FIG. 4 is a left-side view thereof.
FIG. 5 is a right-side view thereof.
FIG. 6 is a top side view thereof; and,
FIG. 7 is a bottom side view thereof.
The broken lines in the drawings represent environmental structure and form no part of the claimed design.

1 Claim, 7 Drawing Sheets

(56) **References Cited**

U.S. PATENT DOCUMENTS

D308,389 S	6/1990	Horn	
D445,819 S	7/2001	Backs	
D525,998 S *	8/2006	Bradley D16/242
D587,273 S *	2/2009	Sculler D14/239
D659,178 S *	5/2012	Huang D16/242
D688,548 S *	8/2013	Hobson D8/356
D697,514 S *	1/2014	Davis D14/447
D703,675 S *	4/2014	Jensen D14/447
D714,683 S *	10/2014	McEntyre D11/218
D717,804 S *	11/2014	Budge D14/447
D734,654 S *	7/2015	Geiger D8/354
D772,883 S *	11/2016	Sun D14/447



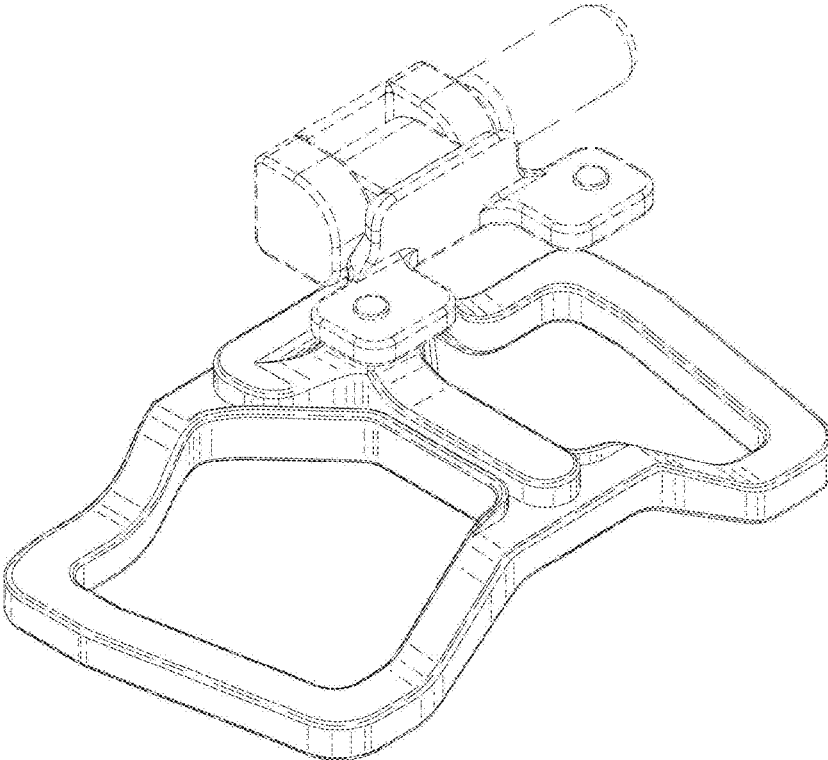


FIG. 1

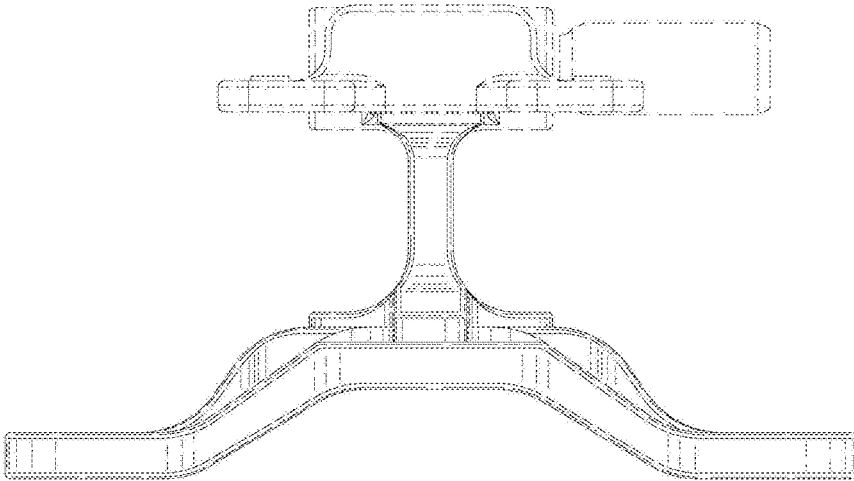


FIG. 2

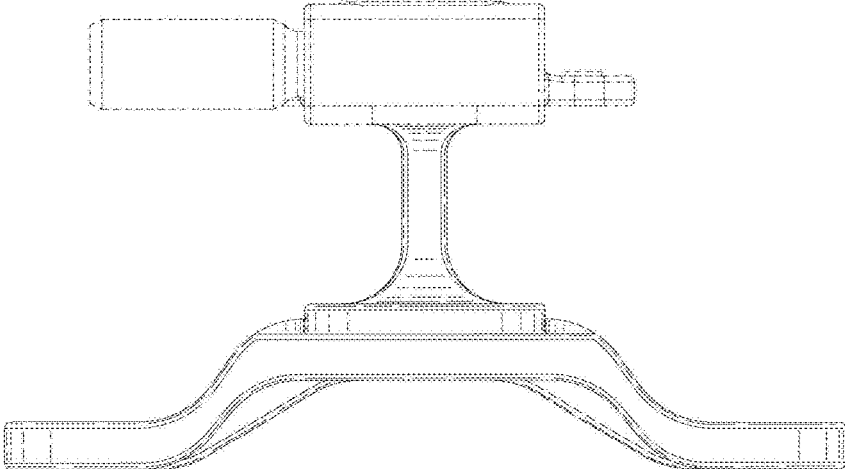


FIG. 3

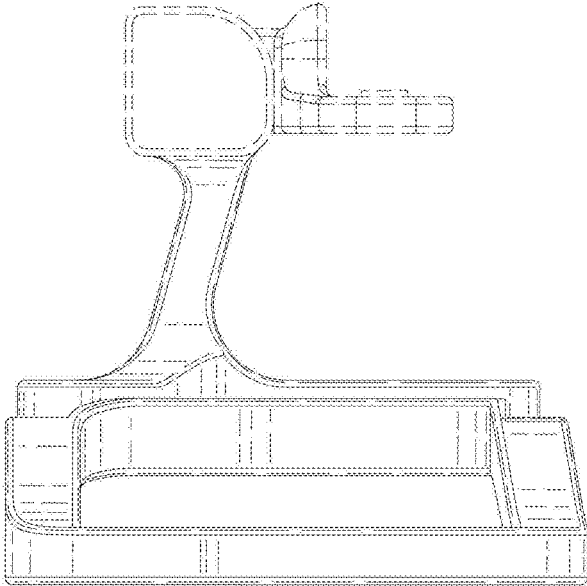


FIG. 4

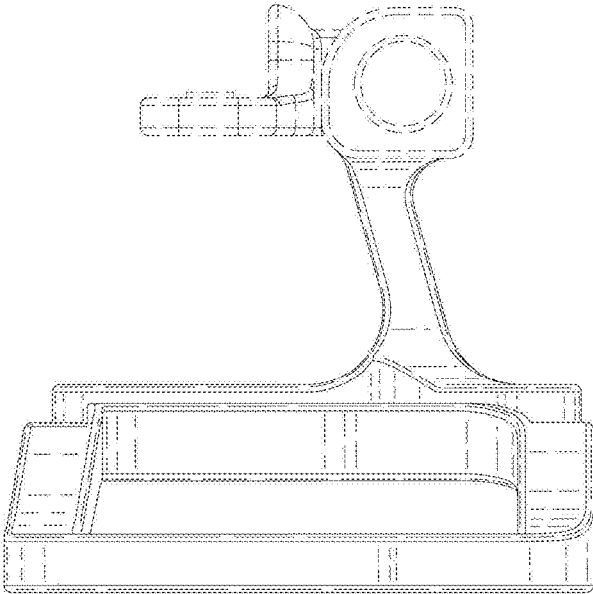


FIG. 5

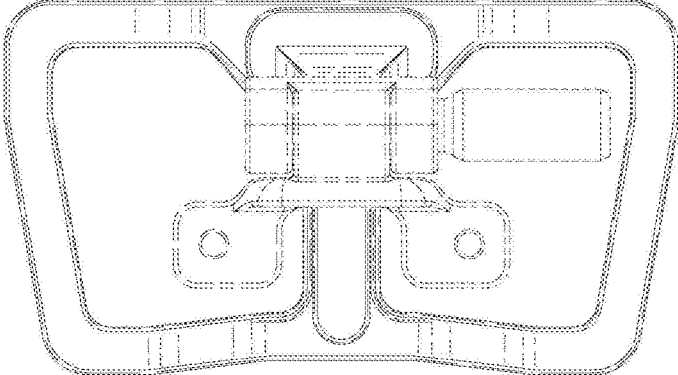


FIG. 6

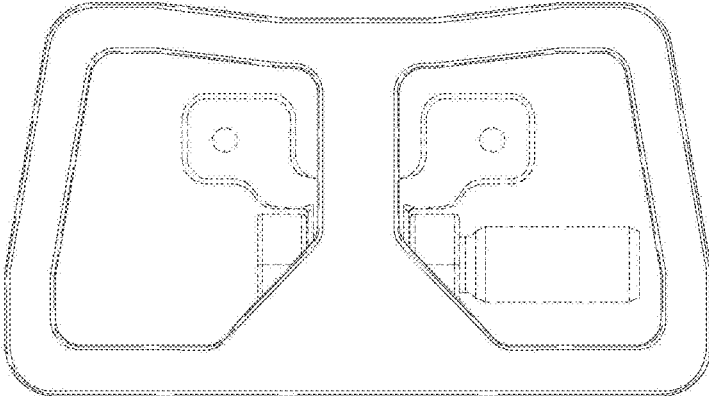


FIG. 7