



US00D984642S

(12) **United States Design Patent**
Mabry

(10) **Patent No.:** **US D984,642 S**

(45) **Date of Patent:** **** Apr. 25, 2023**

- (54) **PELVIC LEVELER**
- (71) Applicant: **Robert Lee Mabry**, Cordova, TN (US)
- (72) Inventor: **Robert Lee Mabry**, Cordova, TN (US)
- (**) Term: **15 Years**
- (21) Appl. No.: **29/855,728**

D621,505 S	8/2010	Gabbay et al.	
D649,656 S *	11/2011	Petersen	D24/215
D659,843 S *	5/2012	Wang	D24/200
D669,997 S	10/2012	Crockford	
D674,089 S *	1/2013	Harrington	D24/135
D694,420 S *	11/2013	Cole	D24/215
D768,309 S *	10/2016	Hetzel	D24/214
D826,418 S *	8/2018	Lad	D24/215
D844,162 S	3/2019	Janapol	
D965,164 S *	9/2022	Luo	D24/215

- (22) Filed: **Oct. 6, 2022**
- (51) **LOC (14) Cl.** **24-02**
- (52) **U.S. Cl.**
USPC **D24/135**
- (58) **Field of Classification Search**
USPC D24/133, 135, 188, 192, 200, 214, 215;
D21/325, 331, 333, 370
CPC A61M 29/00; A61M 29/02; A61B 17/42;
A61D 1/10; A63B 21/002
See application file for complete search history.

OTHER PUBLICATIONS

Mobi Health News. Analytics gets over-the-counter FDA clearance for smartphone-connected pelvic floor muscle trainer. Jul. 12, 2016 by Jonah Comstock. <https://www.mobihealthnews.com/content/analytica-gets-over-counter-fda-clearance-smartphone-connected-pelvic-floor-muscle-trainer> (Year: 2016).*

* cited by examiner

Primary Examiner — Darcey E Gottschalk
(74) *Attorney, Agent, or Firm* — Veritay Group IP PLLC; Susan B. Fentress; Liam O'Donnell

(56) **References Cited**

U.S. PATENT DOCUMENTS

D21,551 S *	5/1892	Young	D24/135
D43,892 S *	4/1913	Parker	D24/109
D143,924 S *	2/1946	McFadden	D24/135
D304,843 S *	11/1989	Tonner	D21/325
D334,414 S *	3/1993	Kitaue	D21/331
D420,251 S *	2/2000	Brady	D7/392.1
D446,856 S	8/2001	Stein	
D447,234 S	8/2001	Stein	
D447,235 S	8/2001	Stein	
D447,236 S	8/2001	Stein	
D447,562 S	9/2001	Stein	
D447,563 S	9/2001	Stein	
D447,800 S	9/2001	Stein	
D464,998 S *	10/2002	Brookins	D21/370
D497,668 S *	10/2004	Bogazzi	D24/146
D510,628 S *	10/2005	Talbot	D24/214
D543,212 S *	5/2007	Marks	D21/333
D599,016 S *	8/2009	Gaab	D24/138

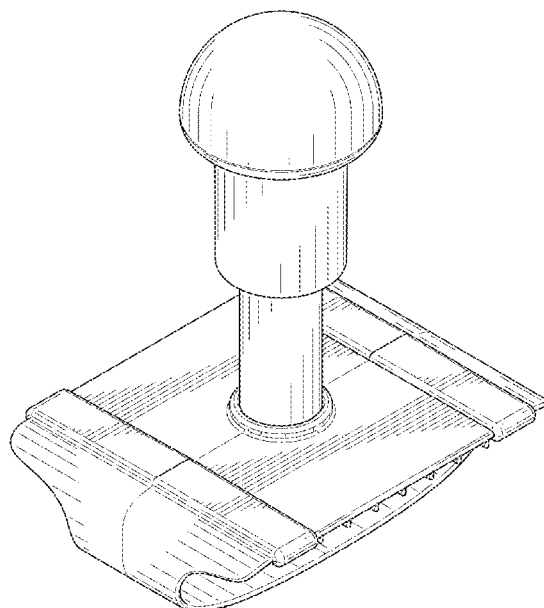
(57) **CLAIM**

The ornamental design for a pelvic leveler, as shown and described.

DESCRIPTION

FIG. 1 is a top, right, front isometric view of a pelvic leveler. FIG. 2 is a bottom, left, rear isometric view of FIG. 1. FIG. 3 is a front view of FIG. 1. FIG. 4 is a right side view of FIG. 1. FIG. 5 is a rear view of FIG. 1. FIG. 6 is a left side view of FIG. 1. FIG. 7 is a top view of FIG. 1; and, FIG. 8 is a bottom view of FIG. 1.

1 Claim, 4 Drawing Sheets



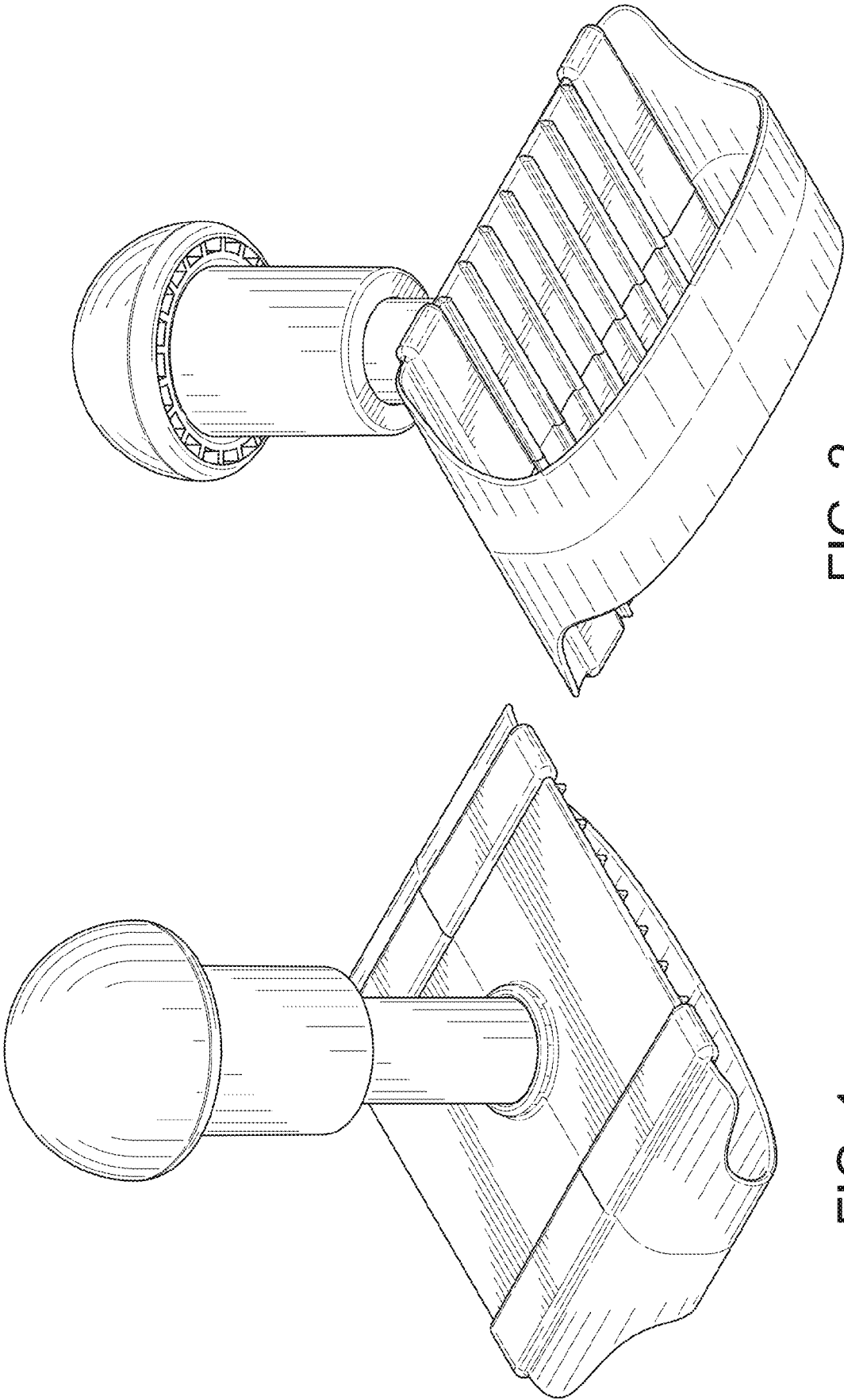


FIG. 2

FIG. 1

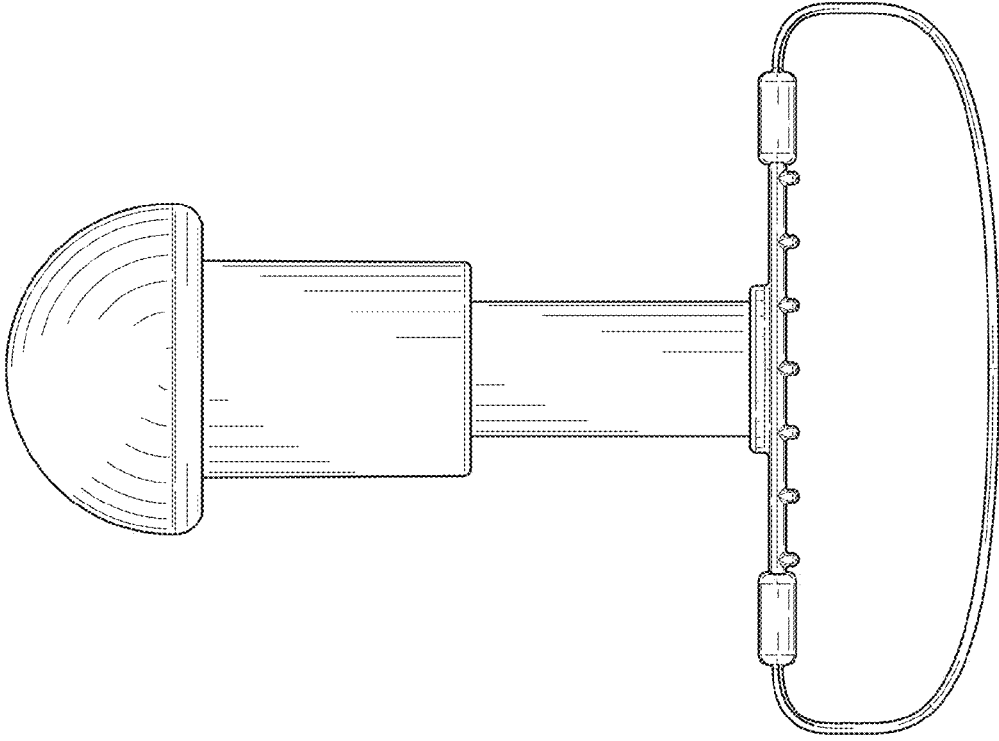


FIG. 3

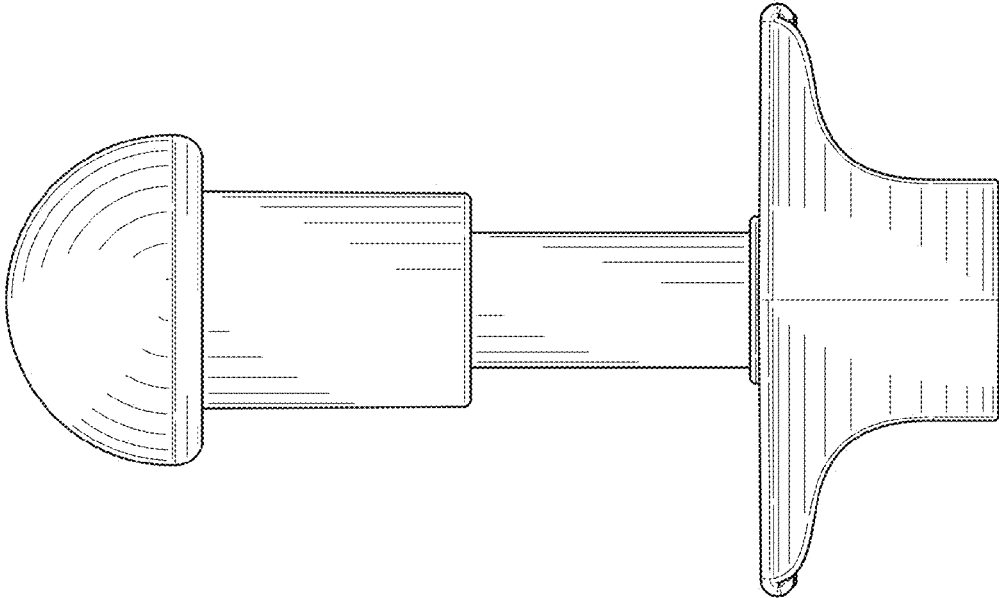


FIG. 4

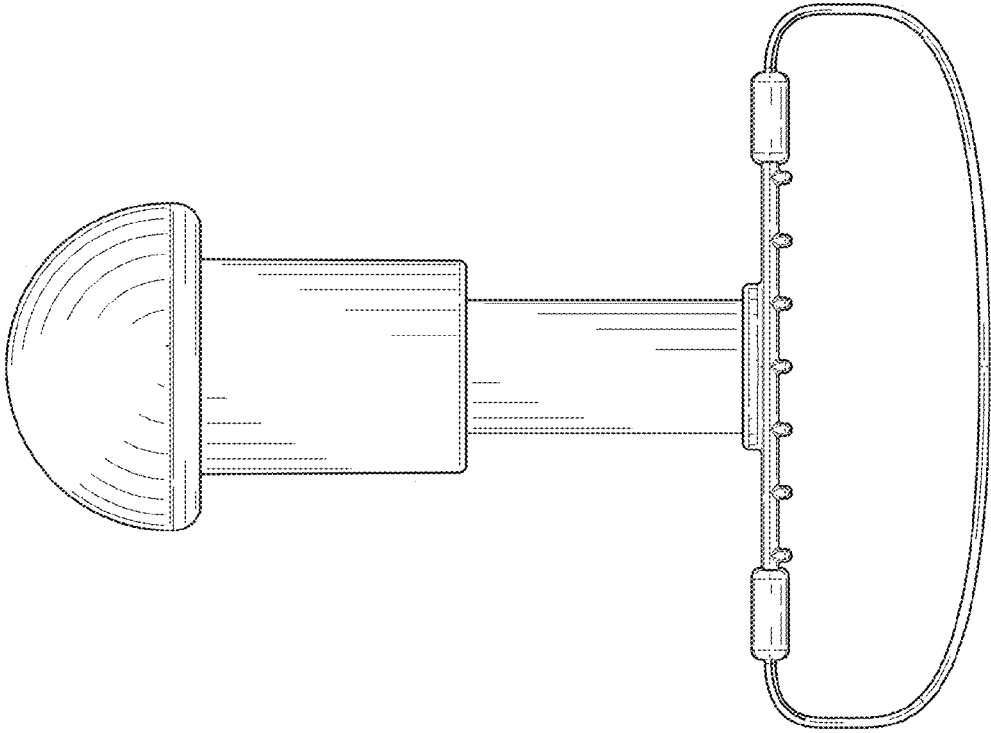


FIG. 5

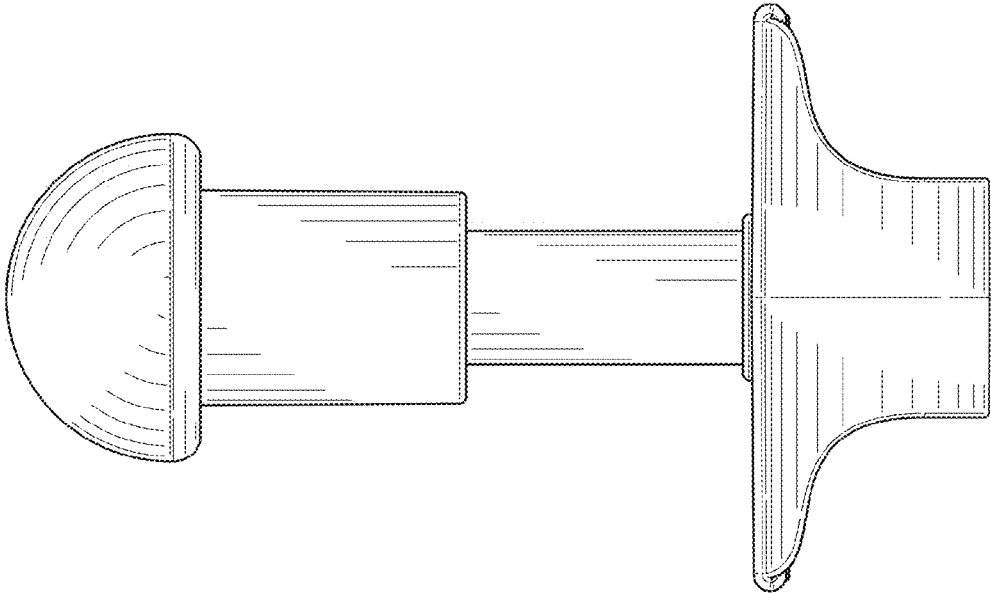


FIG. 6

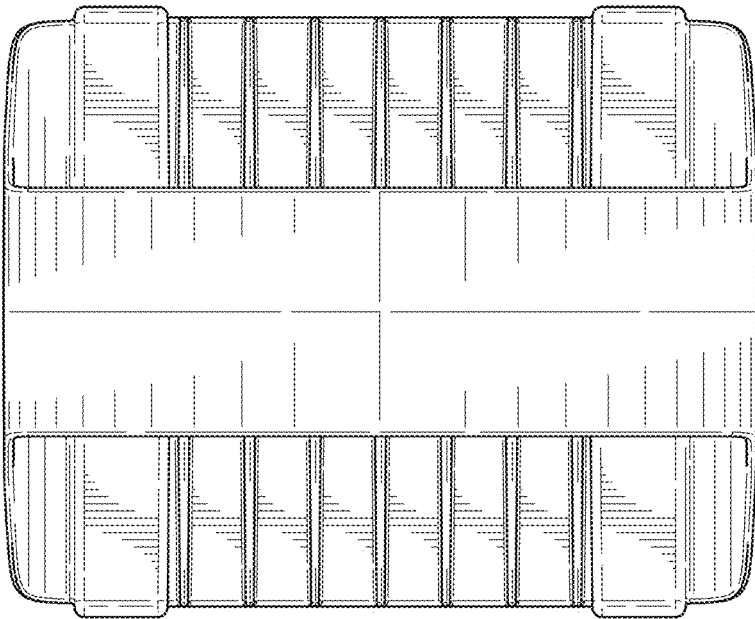


FIG. 7

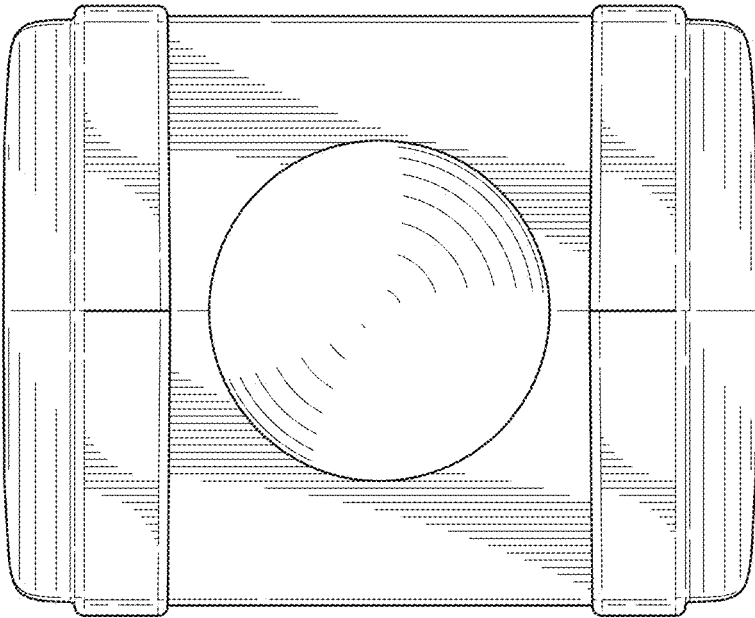


FIG. 8