



US0D1026689S

(12) **United States Design Patent**
Johnson et al.

(10) **Patent No.:** **US D1,026,689 S**

(45) **Date of Patent:** **** May 14, 2024**

- (54) **ROTARY-TYPE LASER LEVEL**
- (71) Applicant: **Johnson Level & Tool Mfg. Co., Inc.**,
Mequon, WI (US)
- (72) Inventors: **Jeffrey R. Johnson**, Mequon, WI (US);
Luis Morales, Franklin, WI (US);
Michael E. Henley, Liberty Township,
OH (US); **Jennifer A. Brake**, Belgium,
WI (US)
- (73) Assignee: **Johnson Level & Tool Mfg. Co., Inc.**,
Mequon, WI (US)

D469,738 S	2/2003	Ishii	
D528,022 S	9/2006	Kallabis	
D587,149 S *	2/2009	Ishii	D10/69
D612,753 S *	3/2010	Ishii	D10/69
D635,038 S	3/2011	Ishii	
D688,578 S *	8/2013	Asher	D10/70
D690,214 S *	9/2013	Asher	D10/70
D692,327 S *	10/2013	Asher	D10/70
D702,572 S *	4/2014	Sun	D10/70
D708,970 S	7/2014	Ishii	
D723,953 S *	3/2015	Ishii	D10/70
D744,355 S	12/2015	Liu et al.	
D826,072 S	8/2018	Matteo	
D928,638 S *	8/2021	Zheng	D10/69

* cited by examiner

(**) Term: **15 Years**

Primary Examiner — Antoine Duval Davis

(21) Appl. No.: **29/847,080**

(74) *Attorney, Agent, or Firm* — Boyle Fredrickson S.C.

(22) Filed: **Jul. 21, 2022**

(57) **CLAIM**

(51) **LOC (14) Cl.** **10-04**

The ornamental design of a rotary-type laser level, as shown and described.

(52) **U.S. Cl.** **D10/69**

DESCRIPTION

(58) **Field of Classification Search**
USPC D10/69
CPC G01C 15/002; G01C 15/004; G02B 7/001;
G02B 27/0988; G02B 5/04
See application file for complete search history.

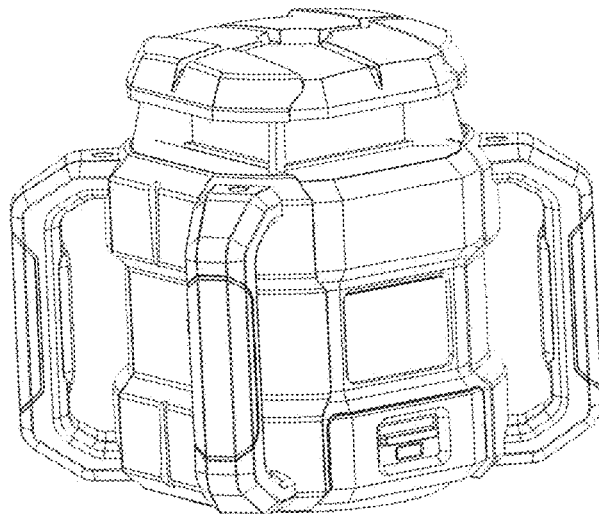
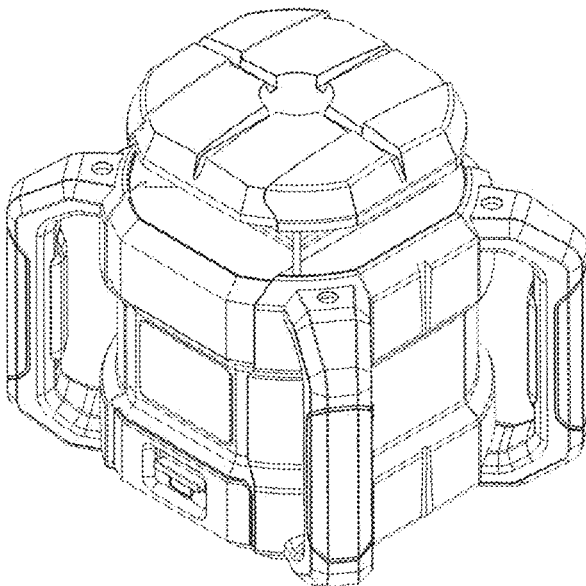
FIG. 1 is a first isometric view of a rotary-type laser level incorporating our new design;
FIG. 2 is a second isometric view thereof;
FIG. 3 is a first side elevation view thereof;
FIG. 4 is a second side elevation view thereof;
FIG. 5 is a first end elevation view thereof;
FIG. 6 is a second end elevation view thereof;
FIG. 7 is a top plan view thereof; and,
FIG. 8 is a bottom plan view thereof.

(56) **References Cited**

U.S. PATENT DOCUMENTS

D461,135 S	8/2002	Watson et al.
D469,369 S	1/2003	Durkin

1 Claim, 8 Drawing Sheets



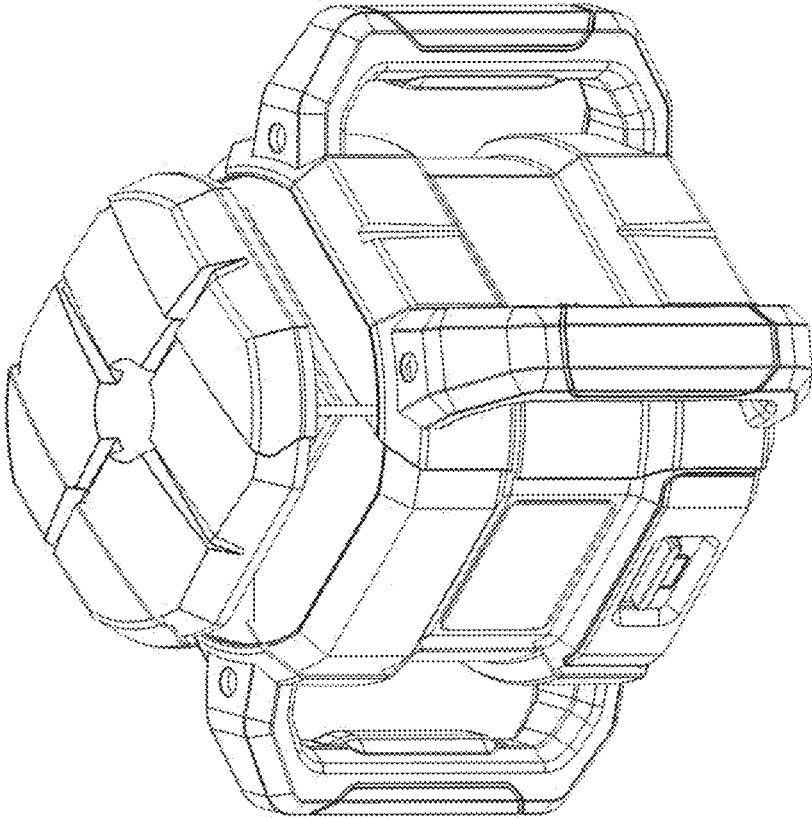


Fig. 1

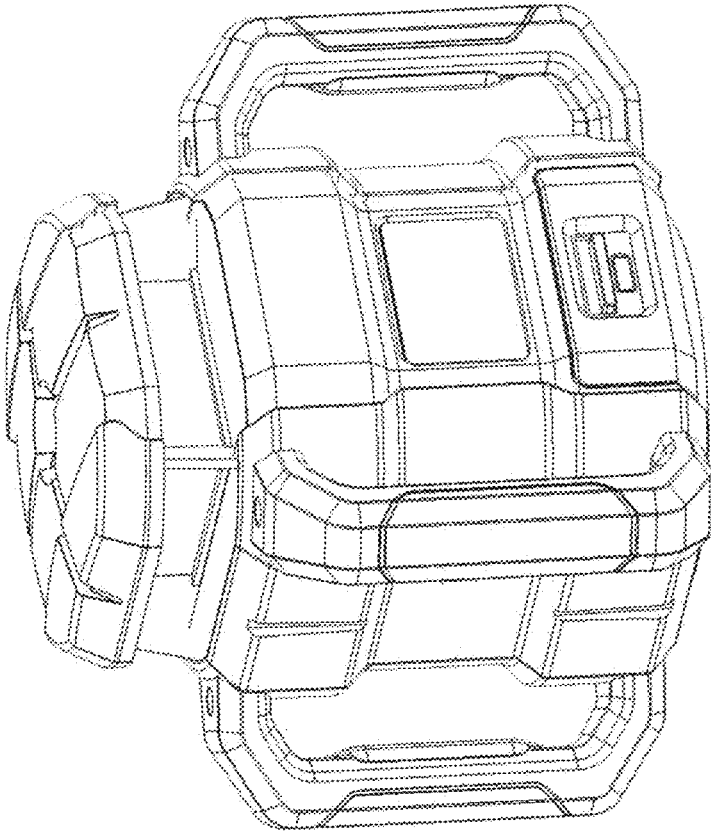


FIG. 2

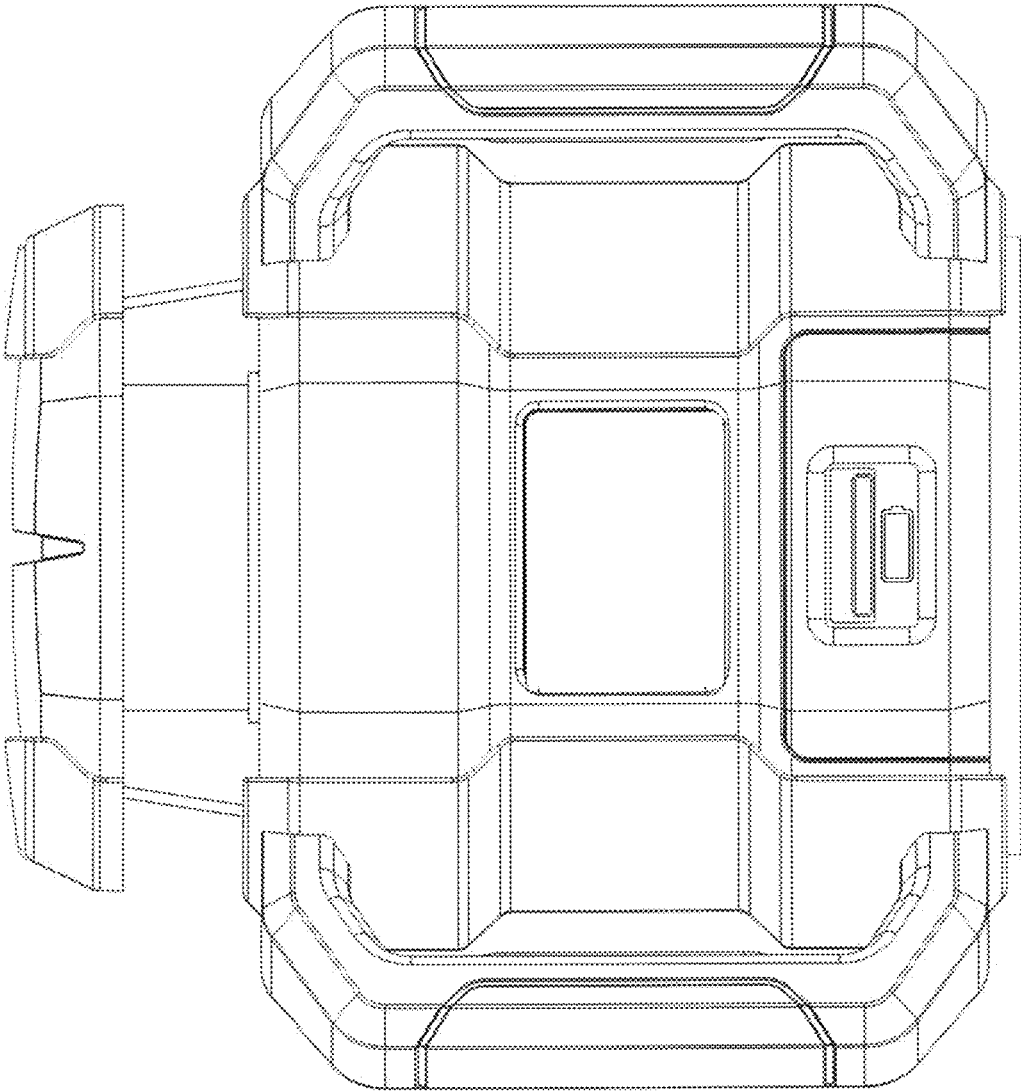


FIG. 3

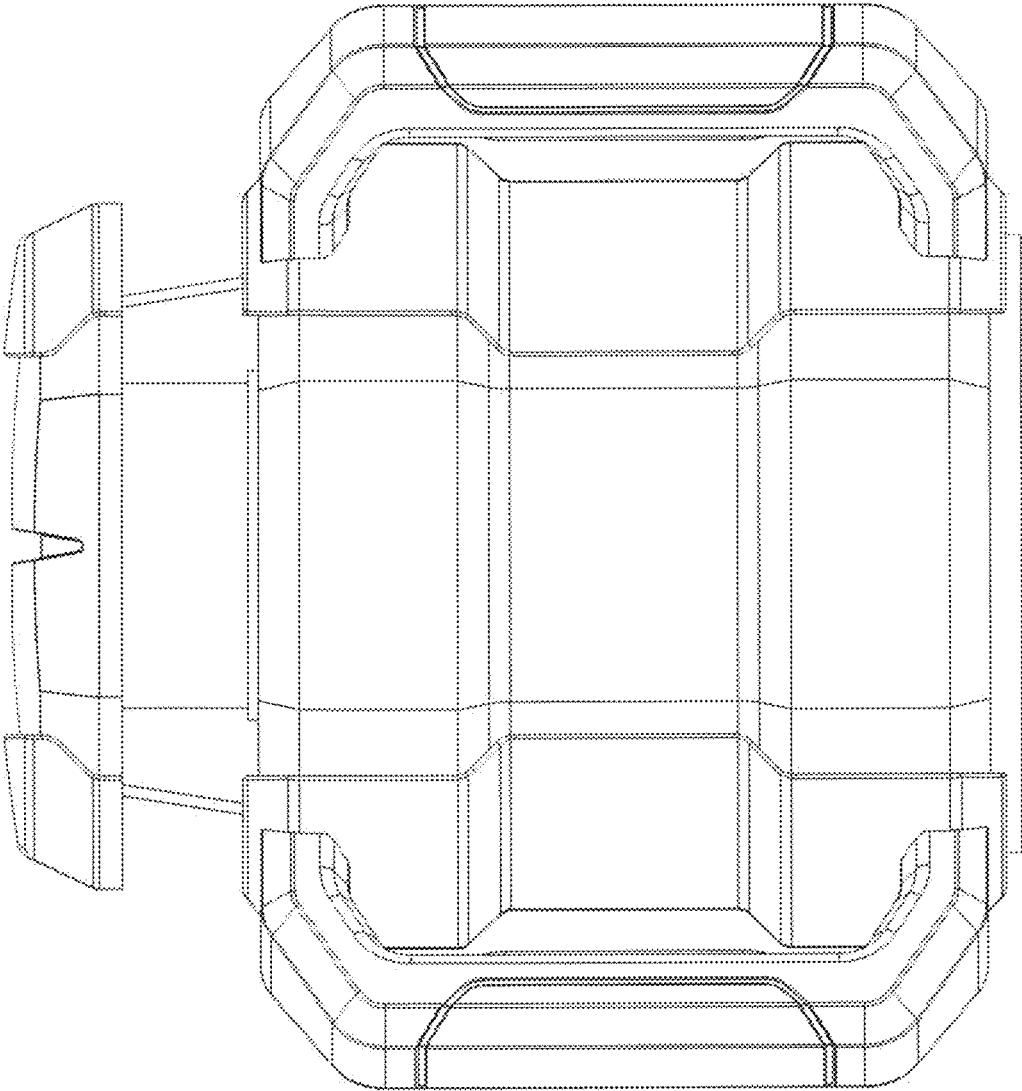


FIG. 4

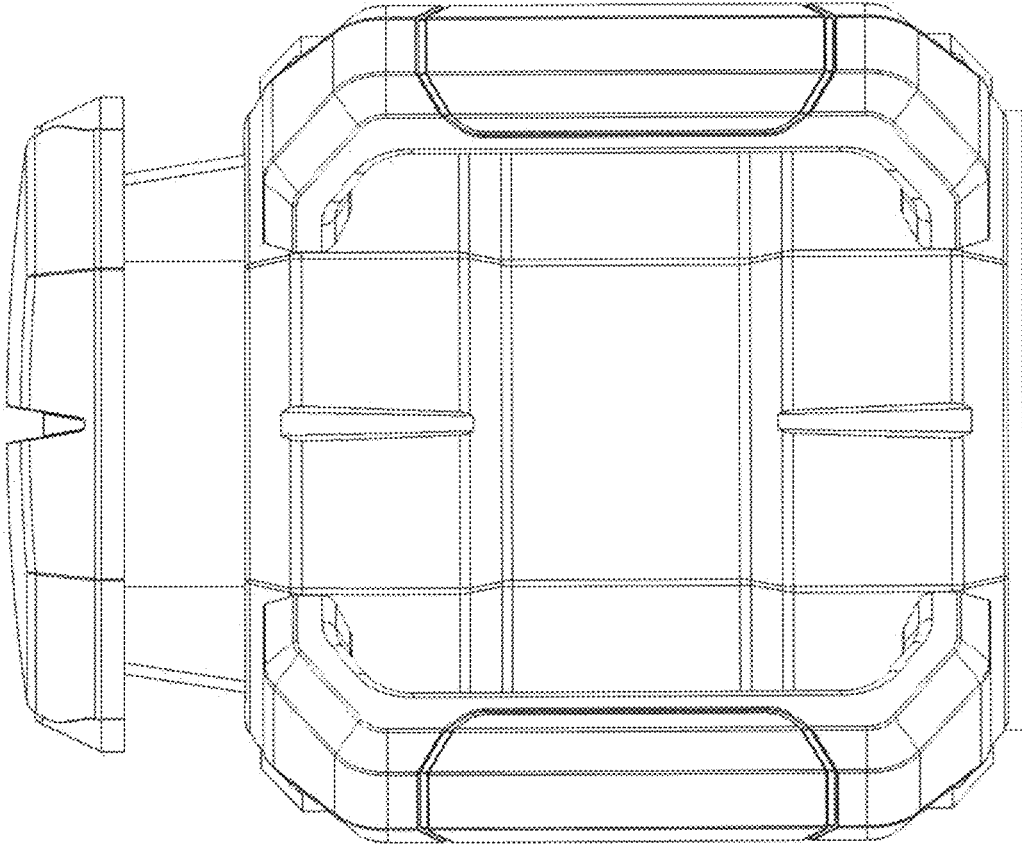


FIG. 5

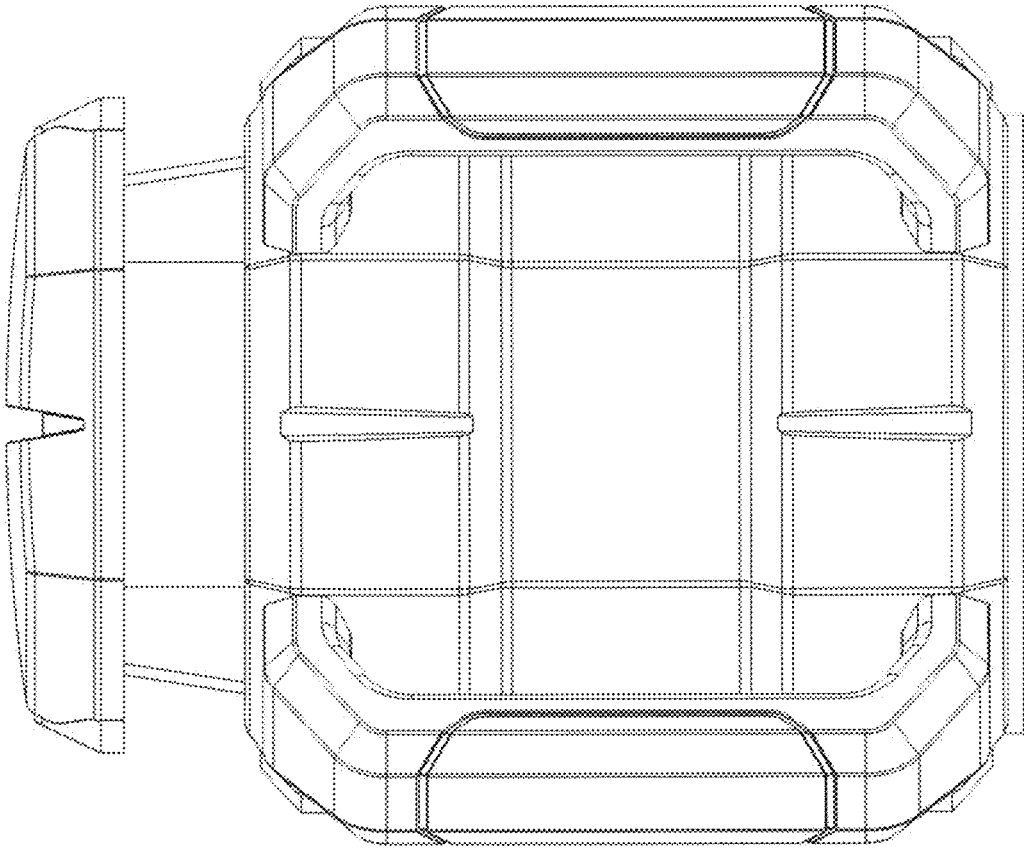


FIG. 6

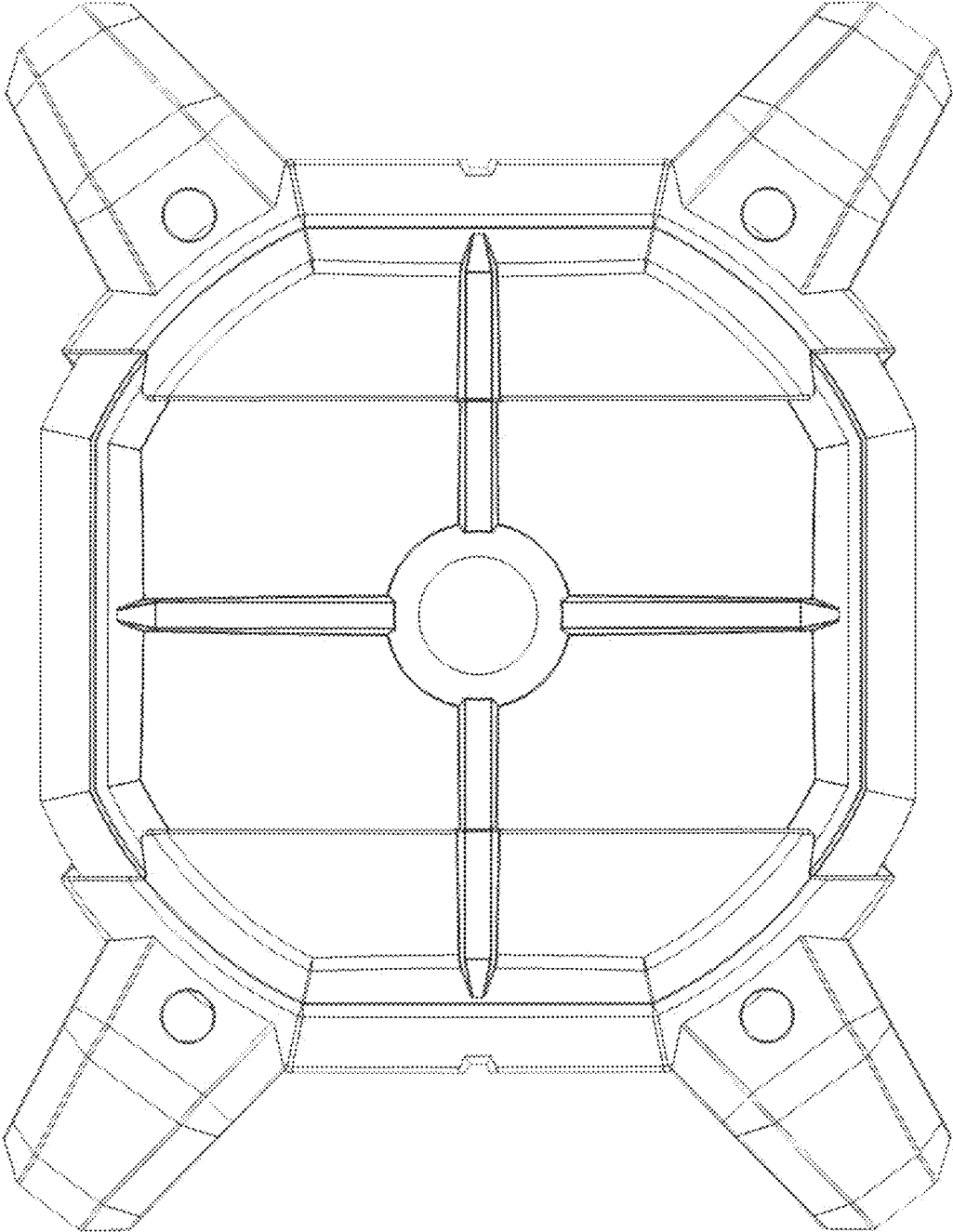


FIG. 7

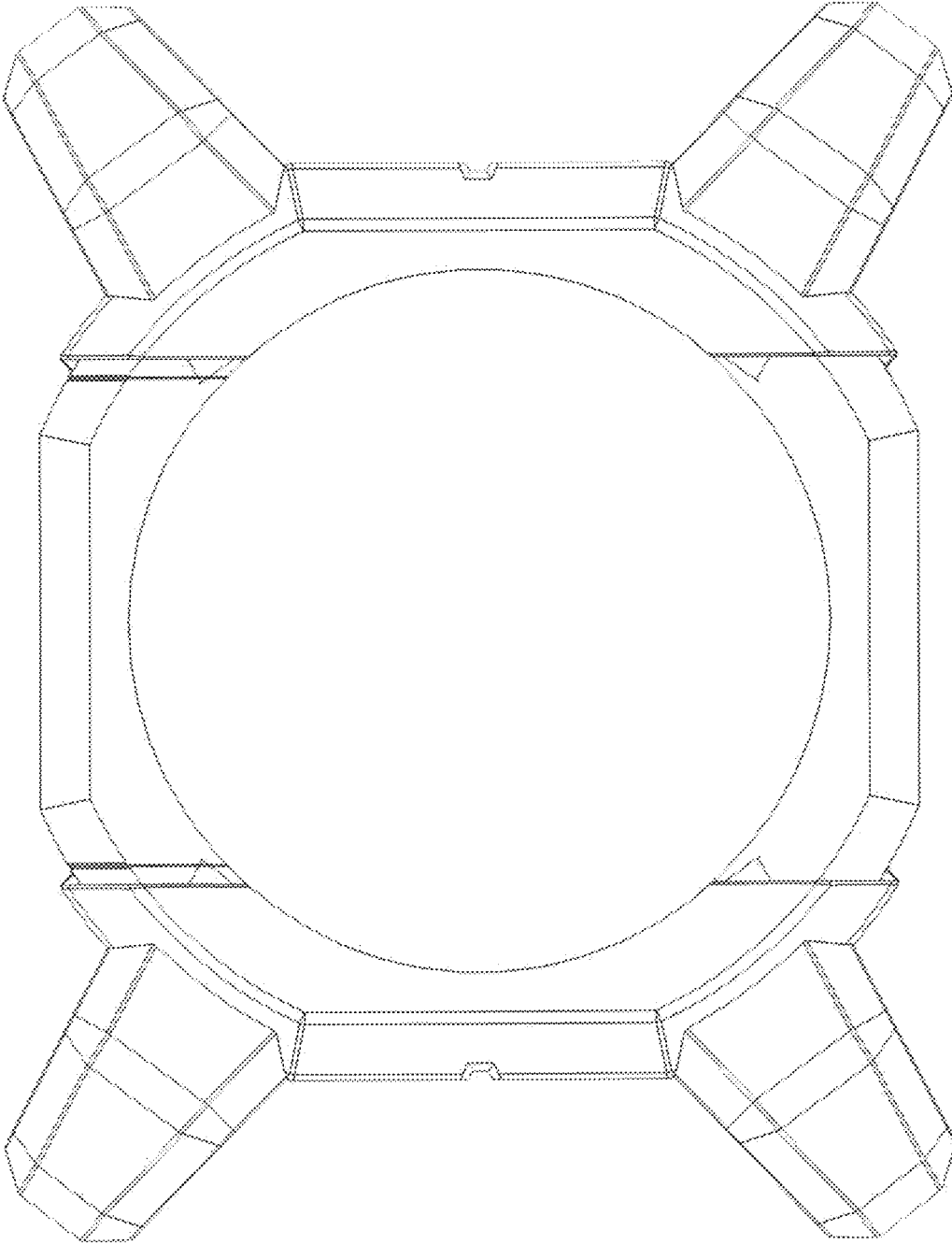


FIG. 8