



US0D1040329S

(12) **United States Design Patent**
Chen

(10) **Patent No.:** **US D1,040,329 S**

(45) **Date of Patent:** **** Aug. 27, 2024**

(54) **COMBINED FAN WITH LAMP**

(71) Applicant: **Tianwei Chen**, Zhongshan (CN)

(72) Inventor: **Tianwei Chen**, Zhongshan (CN)

(**) Term: **15 Years**

(21) Appl. No.: **29/932,360**

(22) Filed: **Mar. 13, 2024**

(51) **LOC (14) Cl.** **23-04**

(52) **U.S. Cl.**
USPC **D23/377**

(58) **Field of Classification Search**
USPC D23/370, 377, 385, 411; D26/59
CPC F04D 25/088; F04D 29/382; F04D 29/388;
F04D 29/005; F04D 29/384
See application file for complete search history.

(56) **References Cited**

U.S. PATENT DOCUMENTS

D741,988 S *	10/2015	Pan	D23/377
D865,936 S *	11/2019	Lee	D23/377
D890,909 S *	7/2020	Streng	D23/377
D935,597 S	11/2021	Zhao	
D940,293 S *	1/2022	Yao	D23/377
D940,847 S *	1/2022	Wang	D23/377
D946,740 S *	3/2022	Holmes Bradley	D23/377
D969,296 S *	11/2022	Williams	D23/377
D1,003,482 S *	10/2023	Chen	D23/377
D1,006,281 S *	11/2023	Cheng	D23/377
D1,011,501 S *	1/2024	Ren	D23/377
D1,011,503 S *	1/2024	Pan	D23/377
D1,011,578 S *	1/2024	Chen	D23/377
D1,012,264 S *	1/2024	Cheng	D23/377
D1,013,142 S *	1/2024	Liang	D23/377

D1,015,520 S *	2/2024	Robinson	D23/377
D1,018,826 S *	3/2024	Shi	D23/377
D1,027,158 S *	5/2024	Zhou	D23/377

* cited by examiner

Primary Examiner — Janice Hallmark

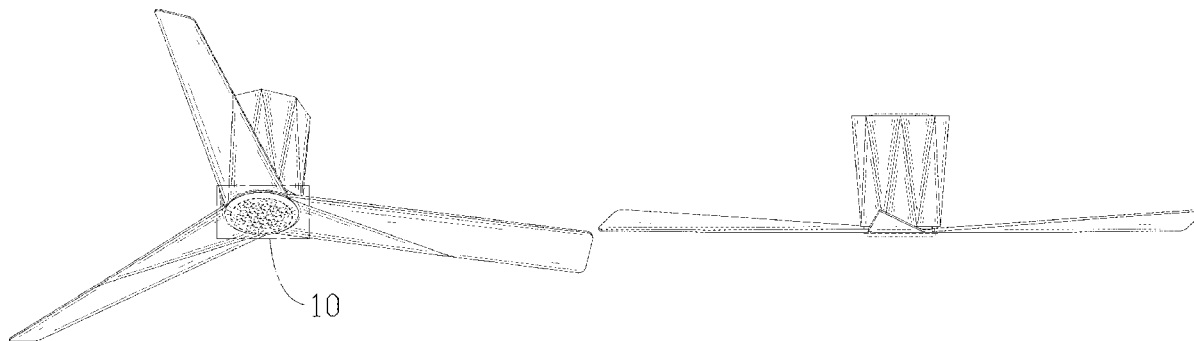
(57) **CLAIM**

The ornamental design for a combined fan with lamp, as shown and described.

DESCRIPTION

FIG. 1 is a front, bottom perspective view of a combined fan with lamp, showing my new design;
 FIG. 2 is a rear, top perspective view thereof;
 FIG. 3 is a front elevation view thereof;
 FIG. 4 is a rear elevation view thereof;
 FIG. 5 is a left side elevation view thereof;
 FIG. 6 is a right side elevation view thereof;
 FIG. 7 is a top plan view thereof;
 FIG. 8 is a bottom plan view thereof;
 FIG. 9 is an enlarged view of detail “9” identified in FIG. 1; and,
 FIG. 10 is an enlarged view of detail “10” identified in FIG. 2.
 The dashed broken lines in the figures illustrate portions of the combined fan with lamp that form no part of the claimed design. The dash dot dash broken lines in FIGS. 1, 2, 9 and 10 are for the purpose of illustrating the enlarged view indicators and form no part of the claimed design.

1 Claim, 10 Drawing Sheets



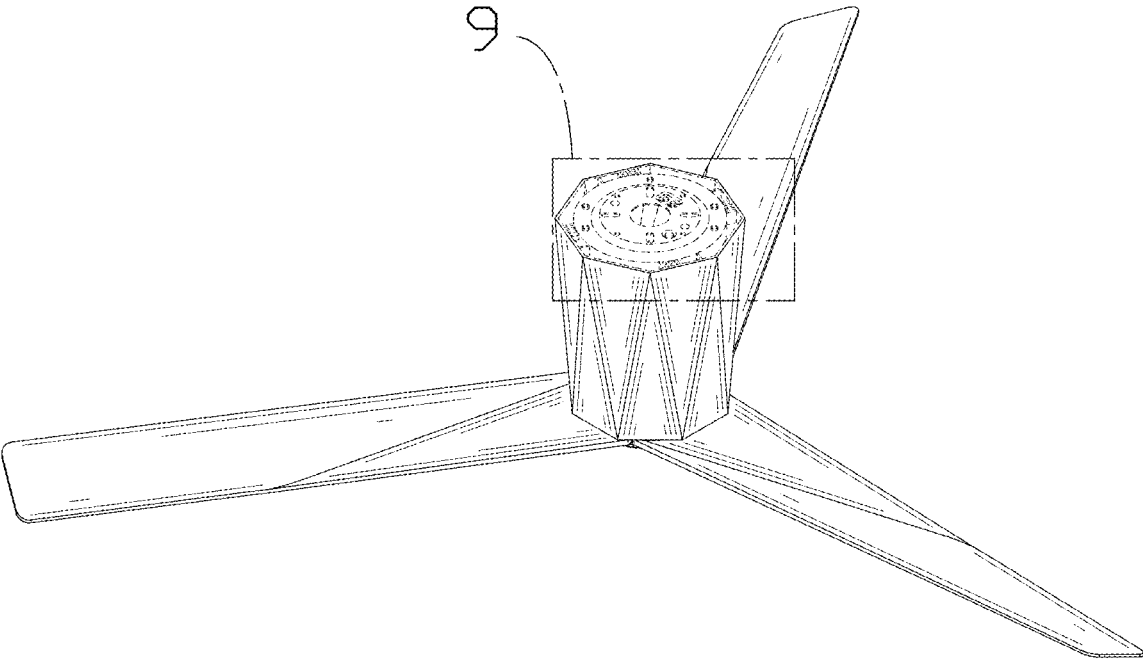


FIG. 1

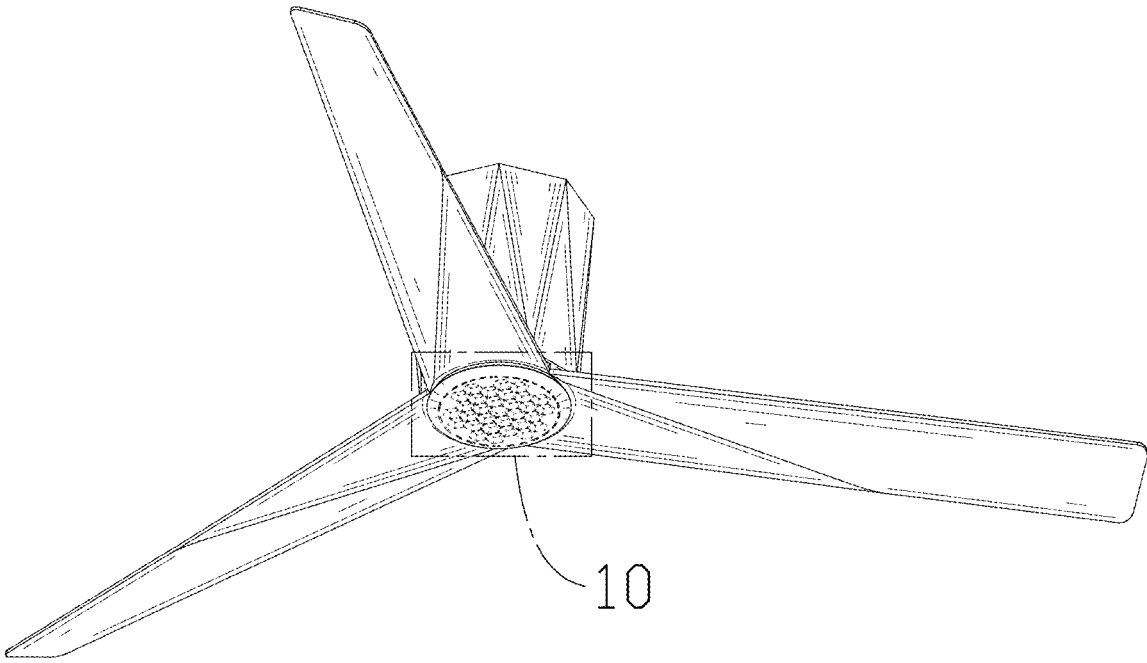


FIG. 2

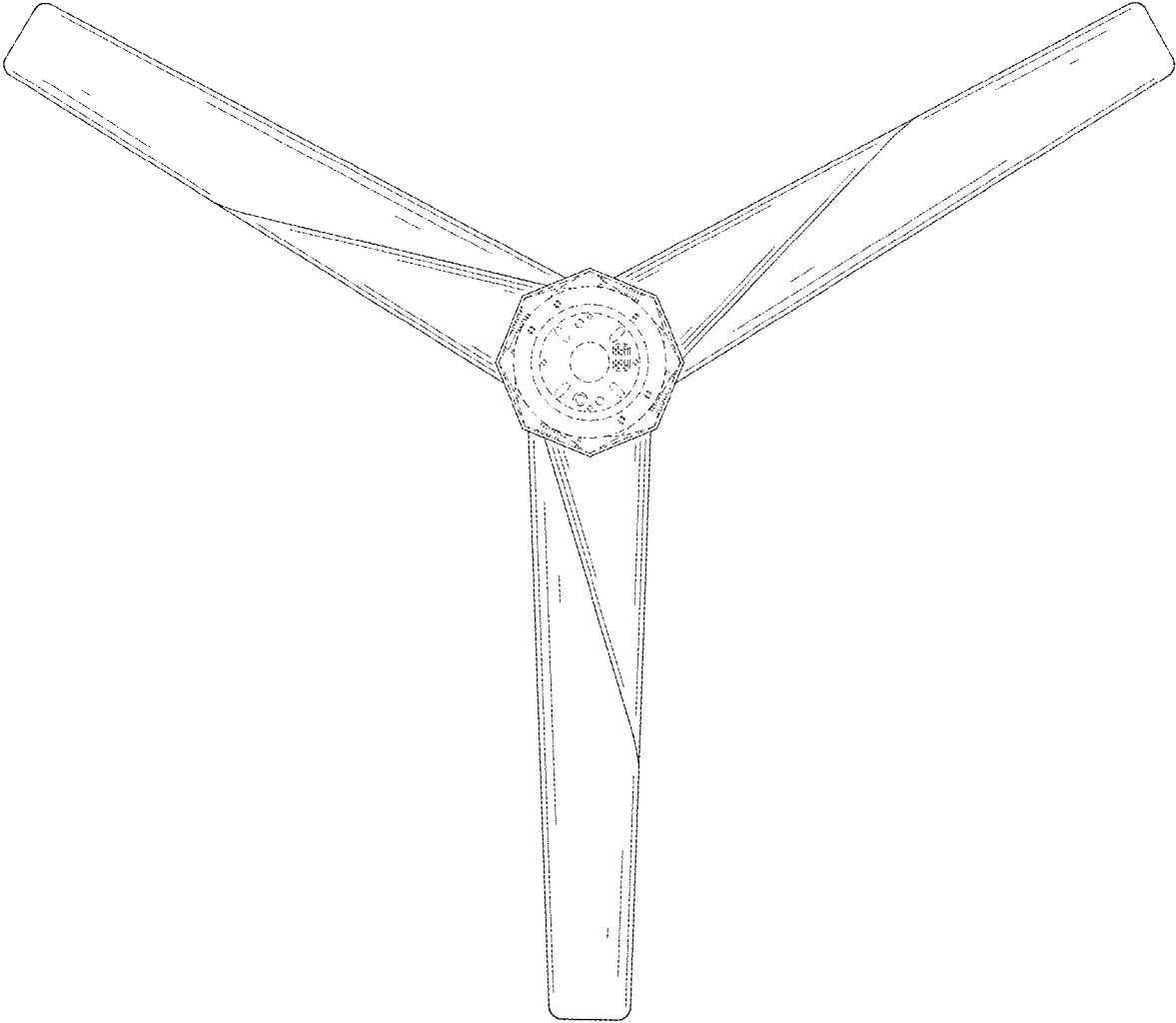


FIG. 3

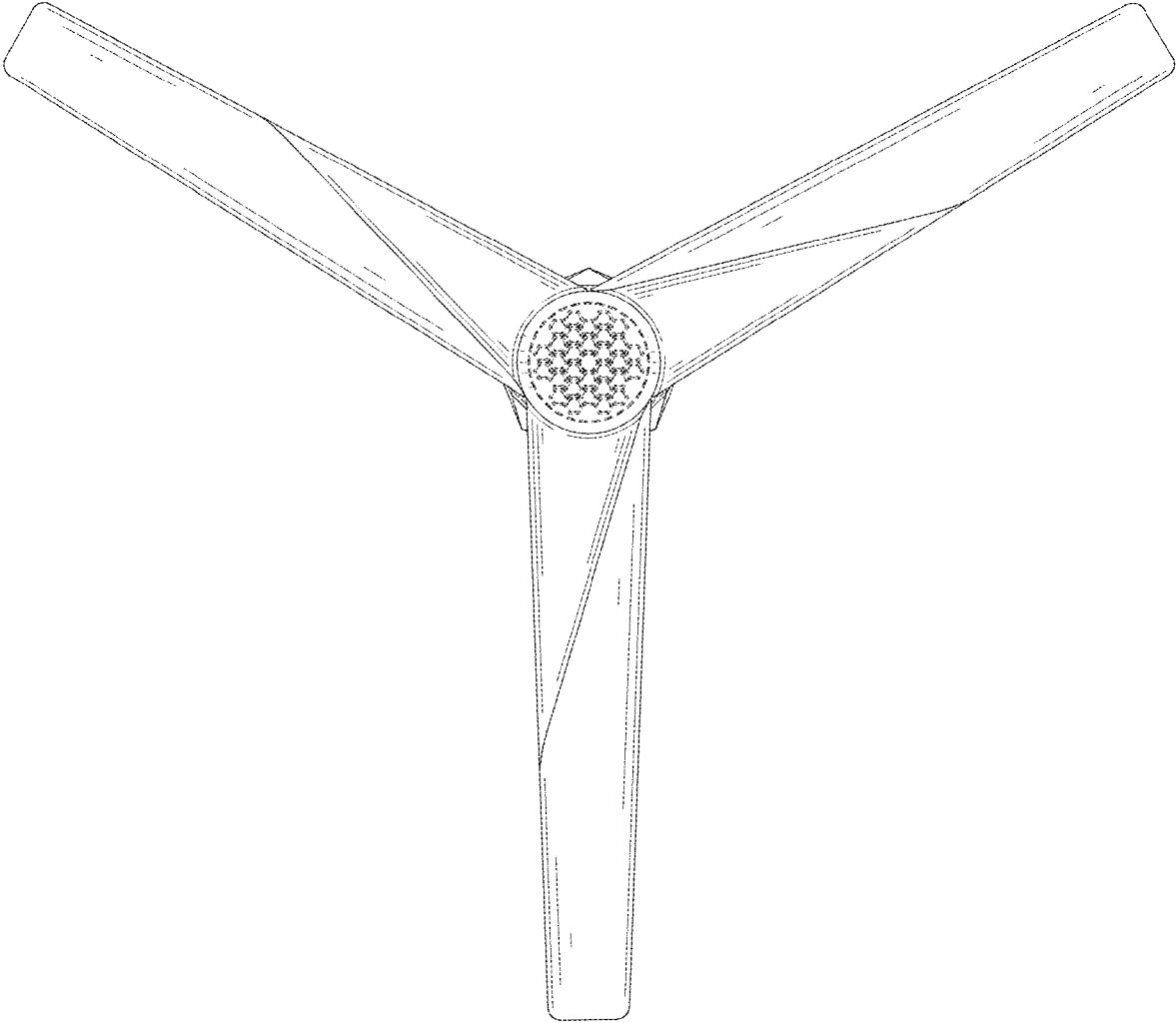


FIG. 4

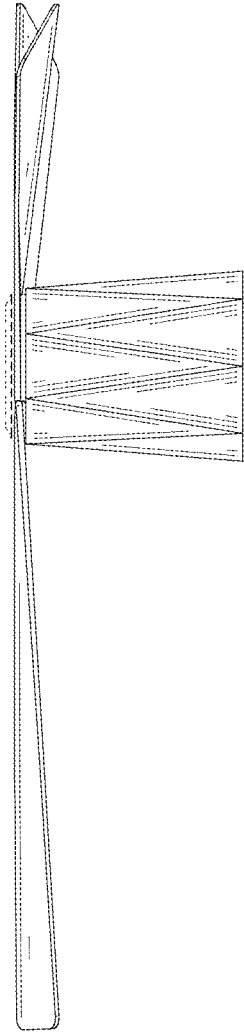


FIG. 5

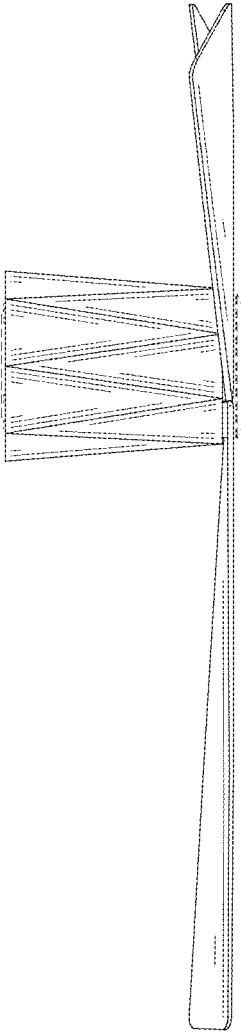


FIG. 6

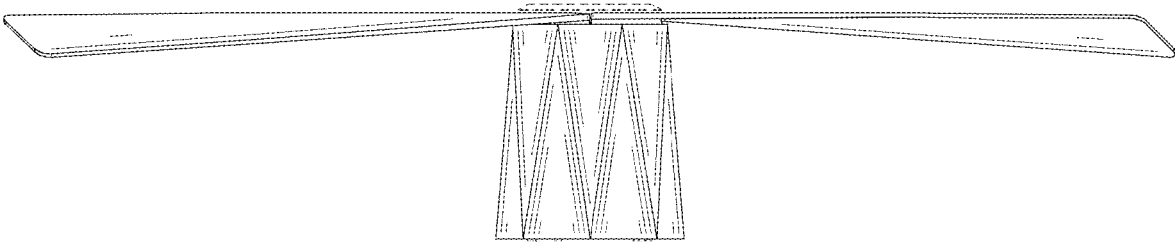


FIG. 7

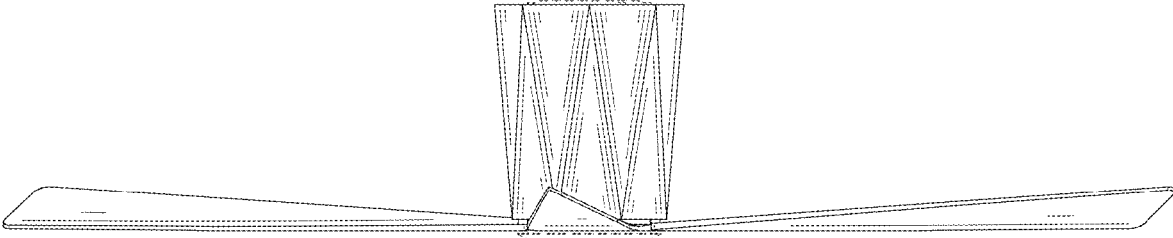


FIG. 8

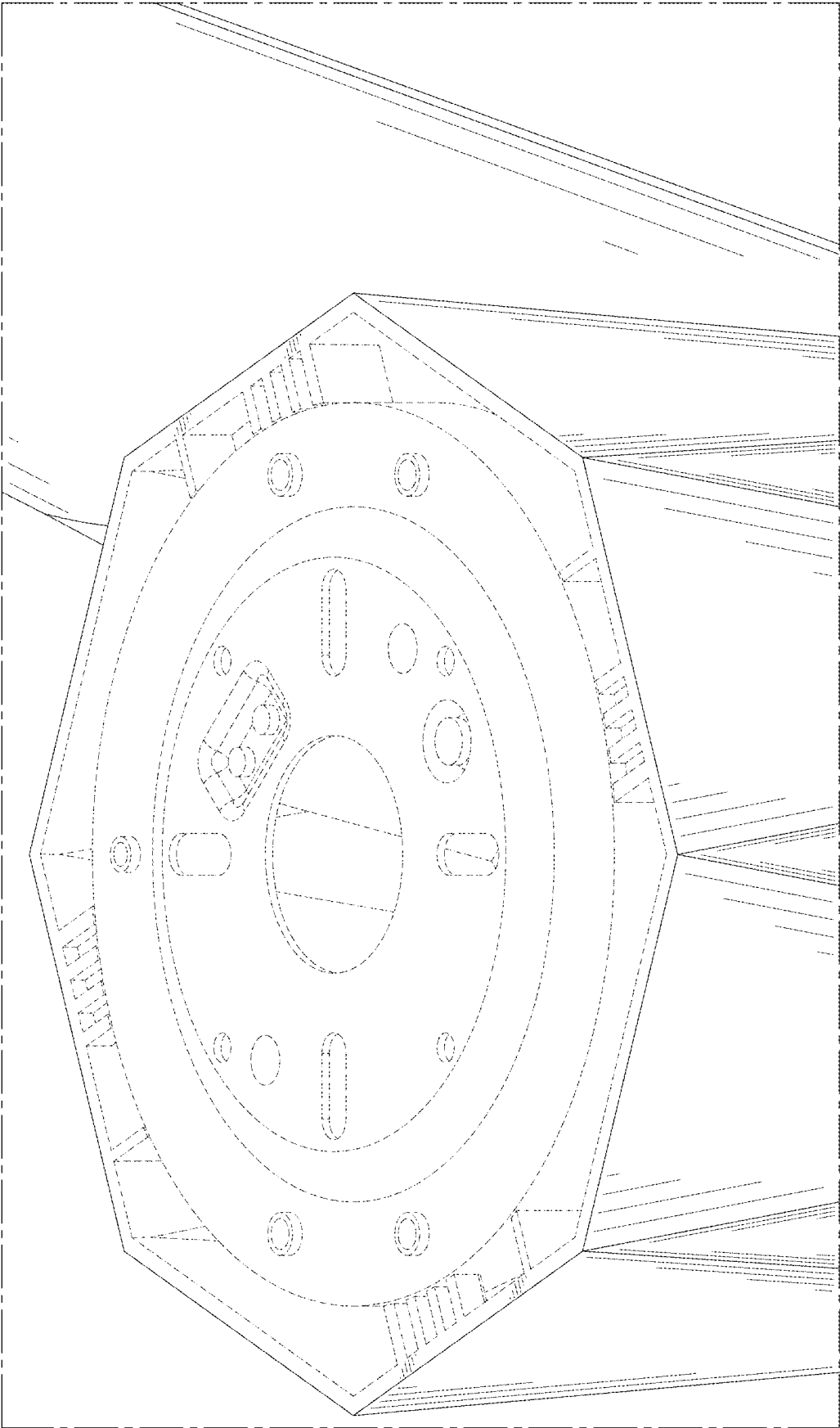


FIG. 9

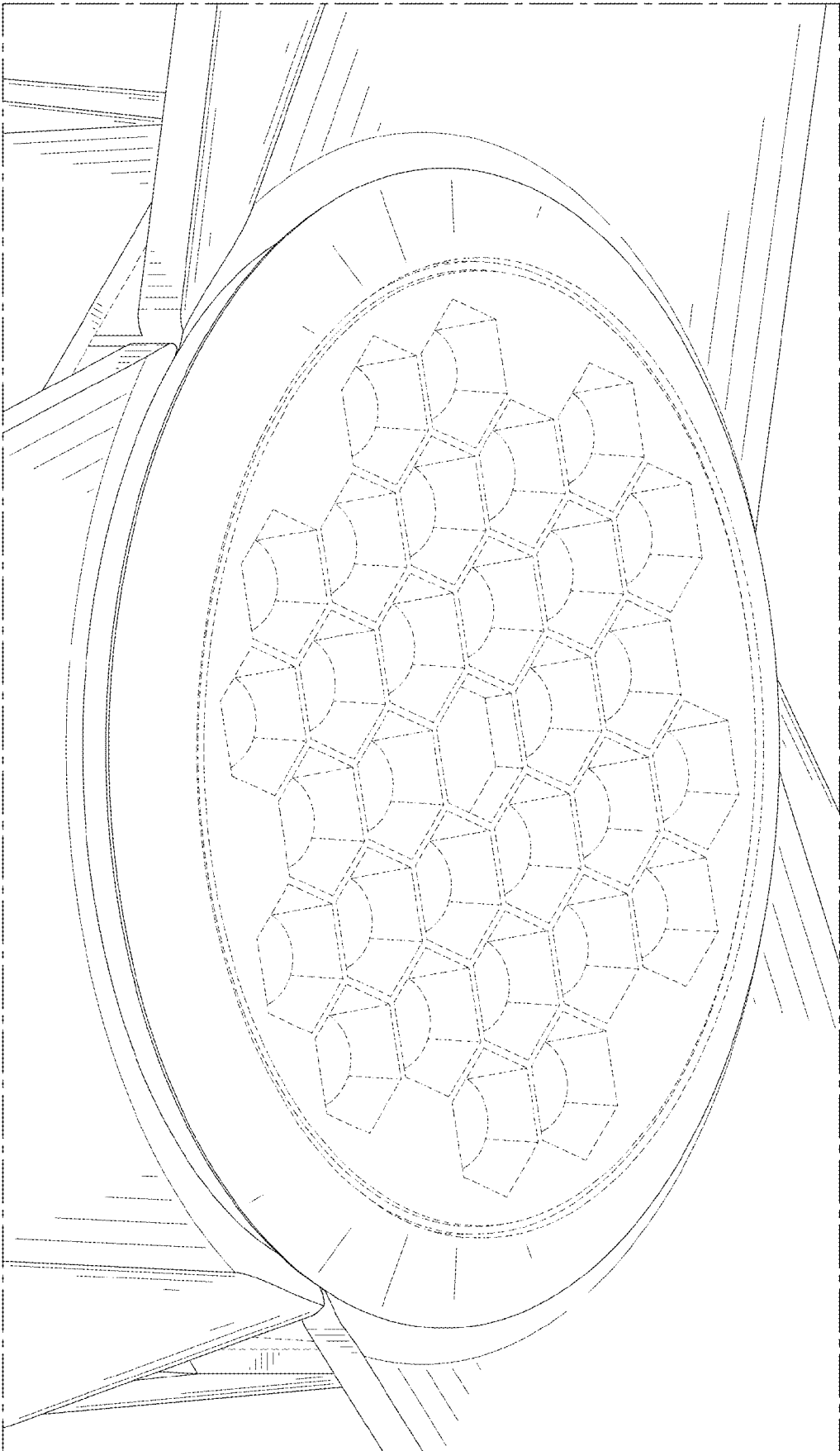


FIG. 10